



US00D415216S

United States Patent [19] Krog

[11] **Patent Number: Des. 415,216**

[45] **Date of Patent: ** Oct. 12, 1999**

[54] **TOY BUILDING ELEMENT**

1,932,074 10/1933 Johnson, Jr. 446/123
4,071,244 1/1978 Richards 446/120

[75] Inventor: **Ricco Reinholdt Krog**, Vejen, Denmark

[73] Assignee: **INTERLEGO AG**, Baar, Switzerland

[**] Term: **14 Years**

Primary Examiner—Raphael Barkai
Attorney, Agent, or Firm—Kane, Dalsimer, Sullivan,
Kurucz, Levy, Eisele and Richard, LLP

[21] Appl. No.: **29/093,737**

[22] Filed: **Sep. 17, 1998**

[57] **CLAIM**

The ornamental design for a toy building element, as shown and described.

[30] **Foreign Application Priority Data**

Mar. 18, 1998 [DK] Denmark MA 0297 1998

[51] **LOC (6) Cl.** **21-01**

[52] **U.S. Cl.** **D21/502**

[58] **Field of Search** D21/484–505,
D21/561; 446/85, 102, 104, 120, 128, 108,
111

DESCRIPTION

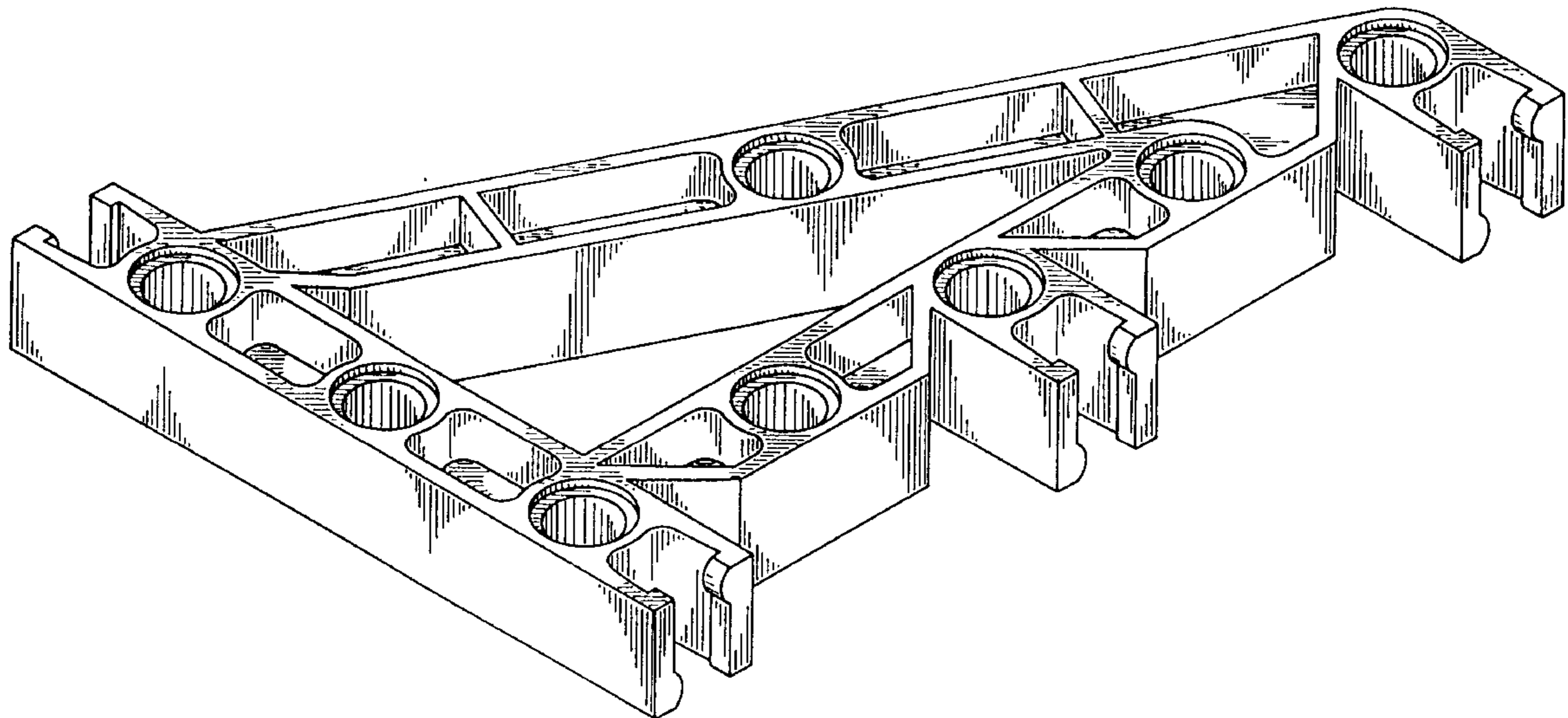
FIG. 1 is a top perspective view of the toy building element, FIG. 2 is a top plan view thereof, FIG. 3 is a front elevational view thereof, FIG. 4 is a bottom plan view thereof, FIG. 5 is a right side elevational view thereof, FIG. 6 is a left side elevational view thereof, FIG. 7 is a rear elevational view thereof; and, FIG. 8 is a bottom perspective view thereof.

[56] **References Cited**

U.S. PATENT DOCUMENTS

D. 371,400 7/1996 Host D21/495

1 Claim, 4 Drawing Sheets



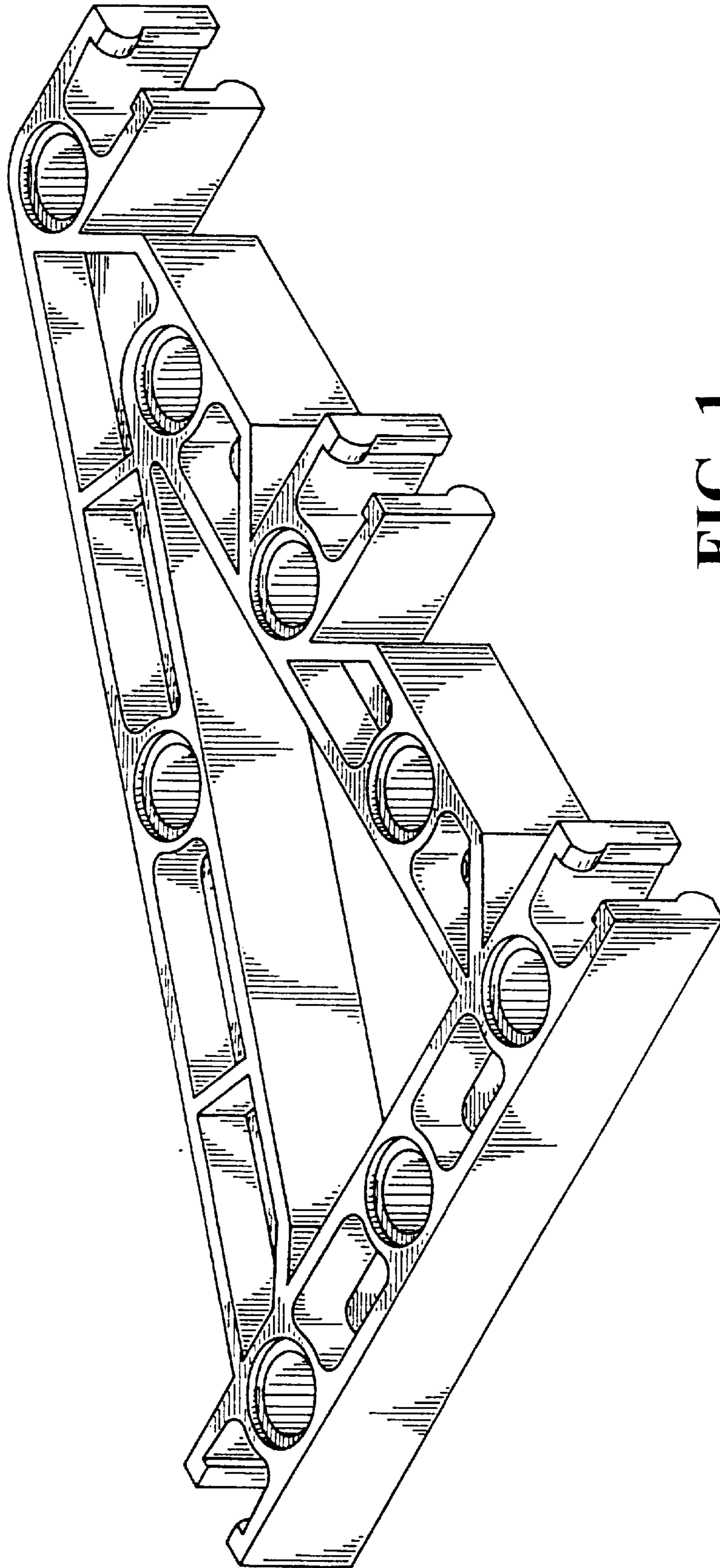


FIG. 1

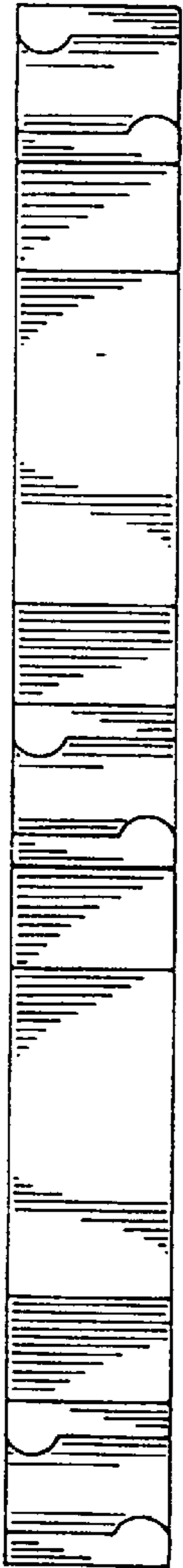


FIG. 3

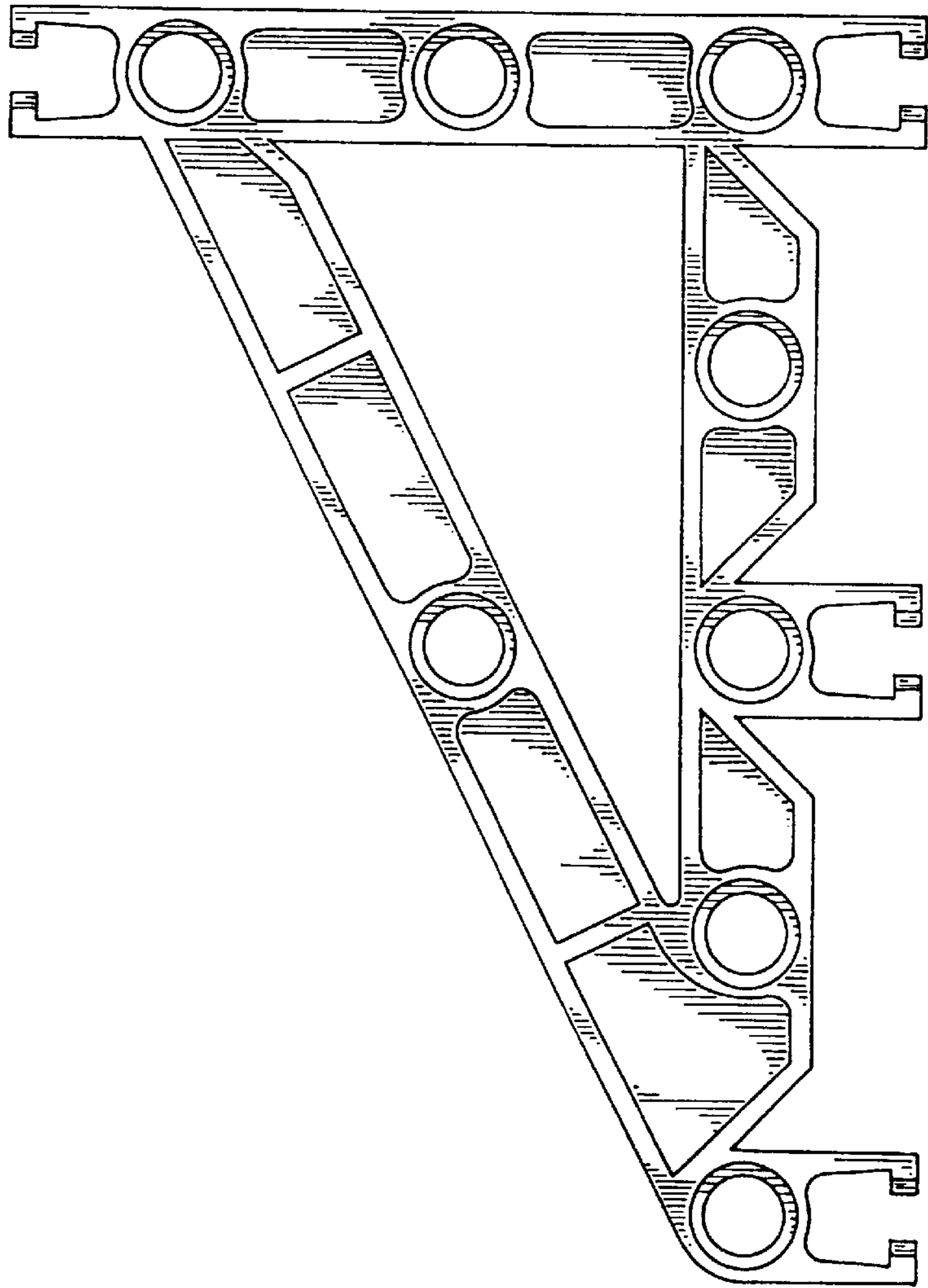


FIG. 2

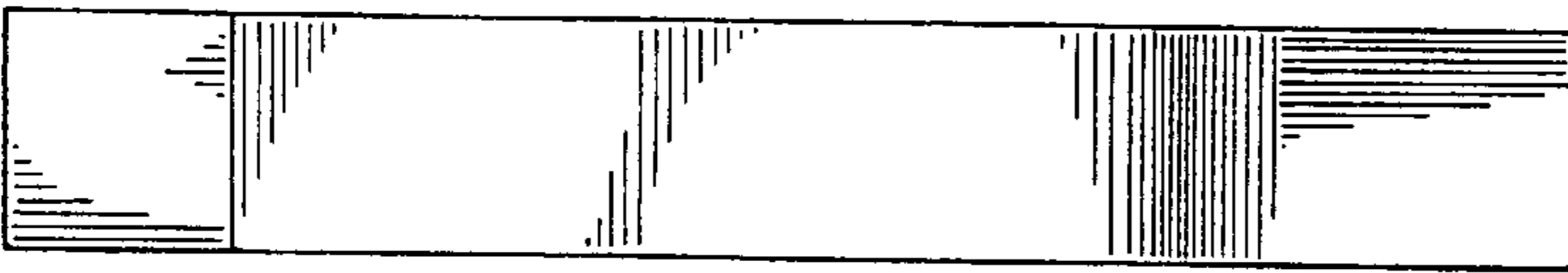


FIG. 6

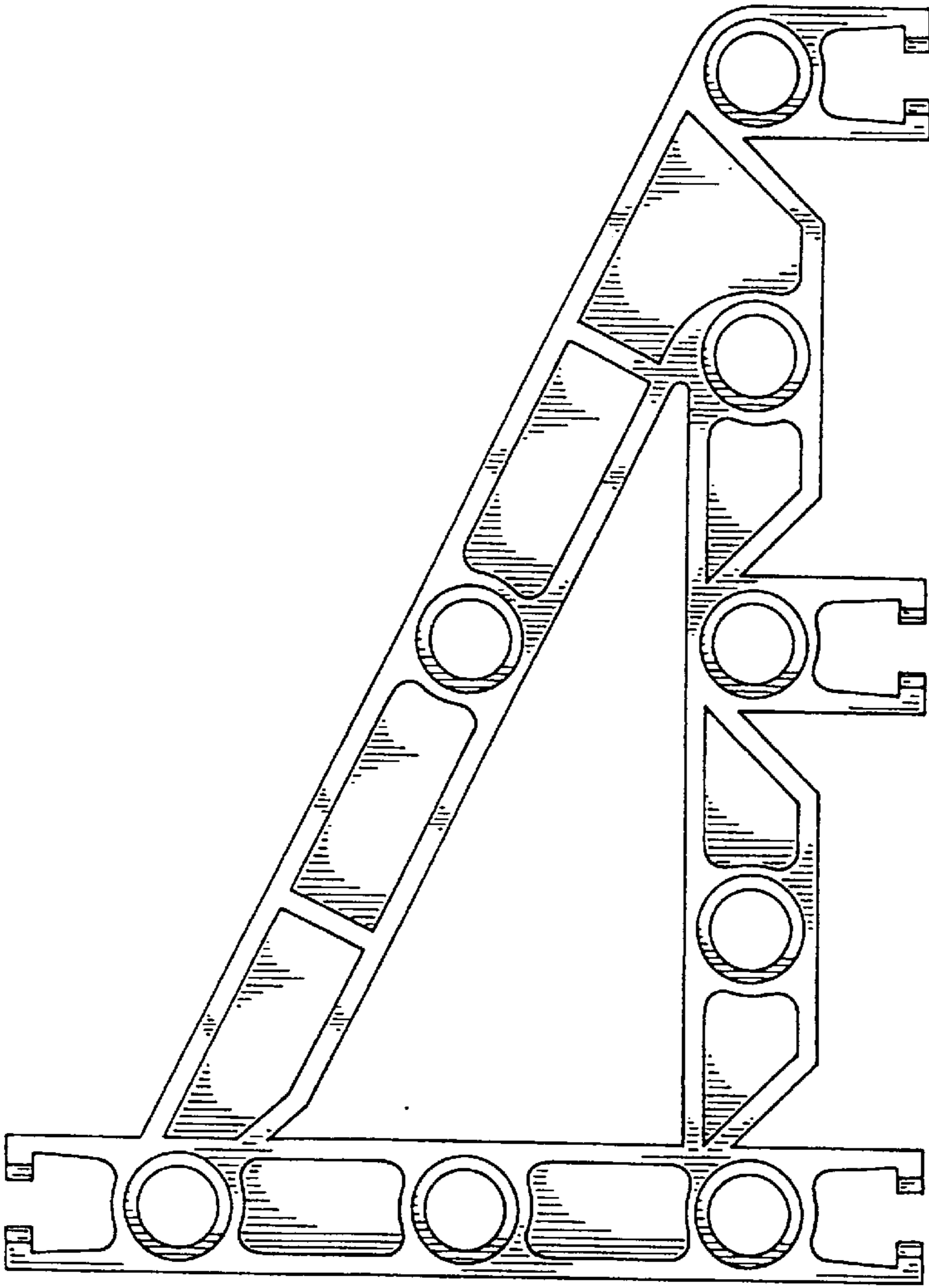


FIG. 4

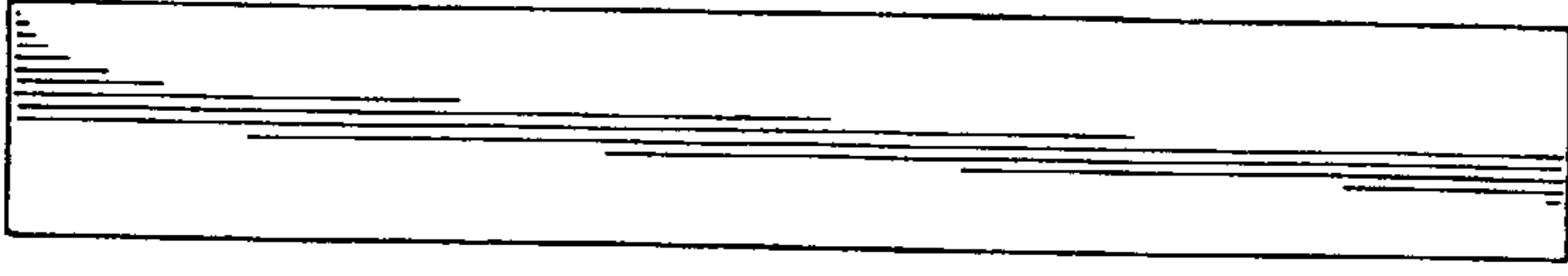


FIG. 5



FIG. 7

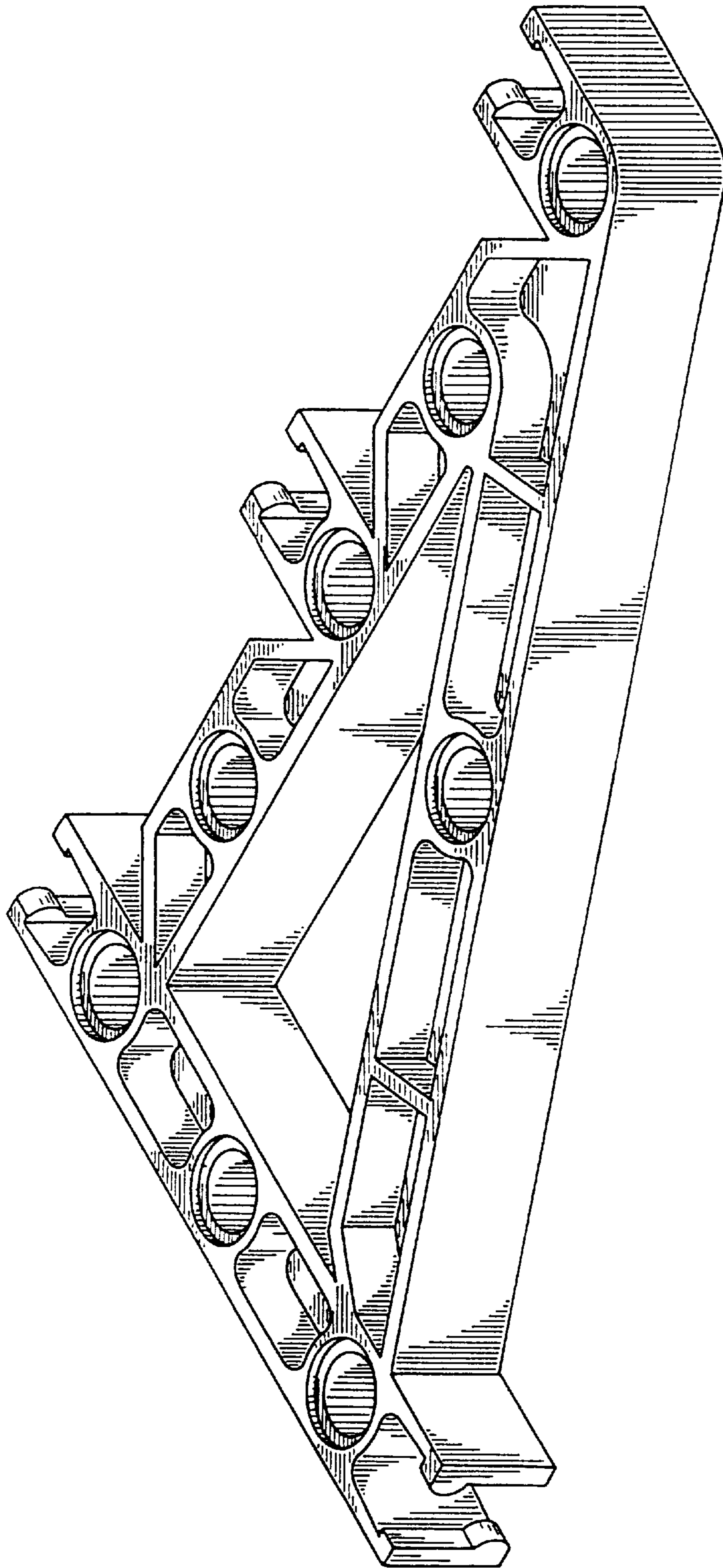


FIG. 8