



US00D415215S

United States Patent [19] Duggan

[11] Patent Number: **Des. 415,215**

[45] Date of Patent: **** Oct. 12, 1999**

[54] **PUZZLE**

[76] Inventor: **J. Edmund Duggan**, 1987 Dellwood Dr., Atlanta, Ga. 30309

[**] Term: **14 Years**

[21] Appl. No.: **29/093,638**

[22] Filed: **Sep. 15, 1998**

[51] **LOC (6) Cl.** **21-01**

[52] **U.S. Cl.** **D21/482**

[58] **Field of Search** D21/482; 273/153 R, 273/158

D. 361,605	8/1995	Flemons	D21/482
2,779,600	1/1957	Hagen	273/158
4,957,292	9/1990	Ushiyama	273/158

Primary Examiner—Dominic Simone

[57] CLAIM

The ornamental design for a puzzle, as shown.

DESCRIPTION

FIG. 1 is a top view of a puzzle showing my new design.

FIG. 2 is a front elevational view.

FIG. 3 is a right side elevational view.

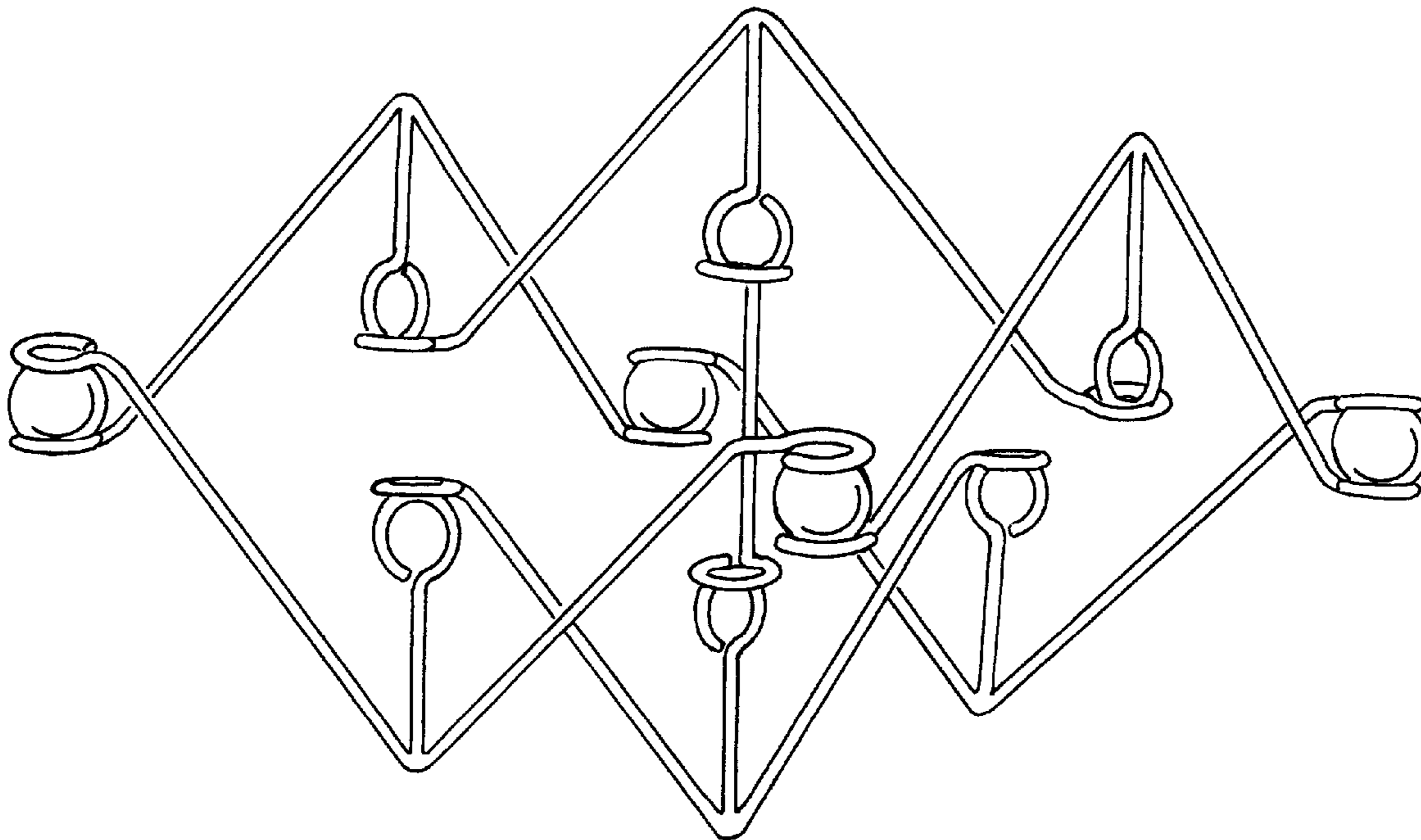
FIG. 4 is a front, right perspective view; and,

[56] References Cited

U.S. PATENT DOCUMENTS

D. 172,310 5/1954 Riddle D21/482

1 Claim, 2 Drawing Sheets



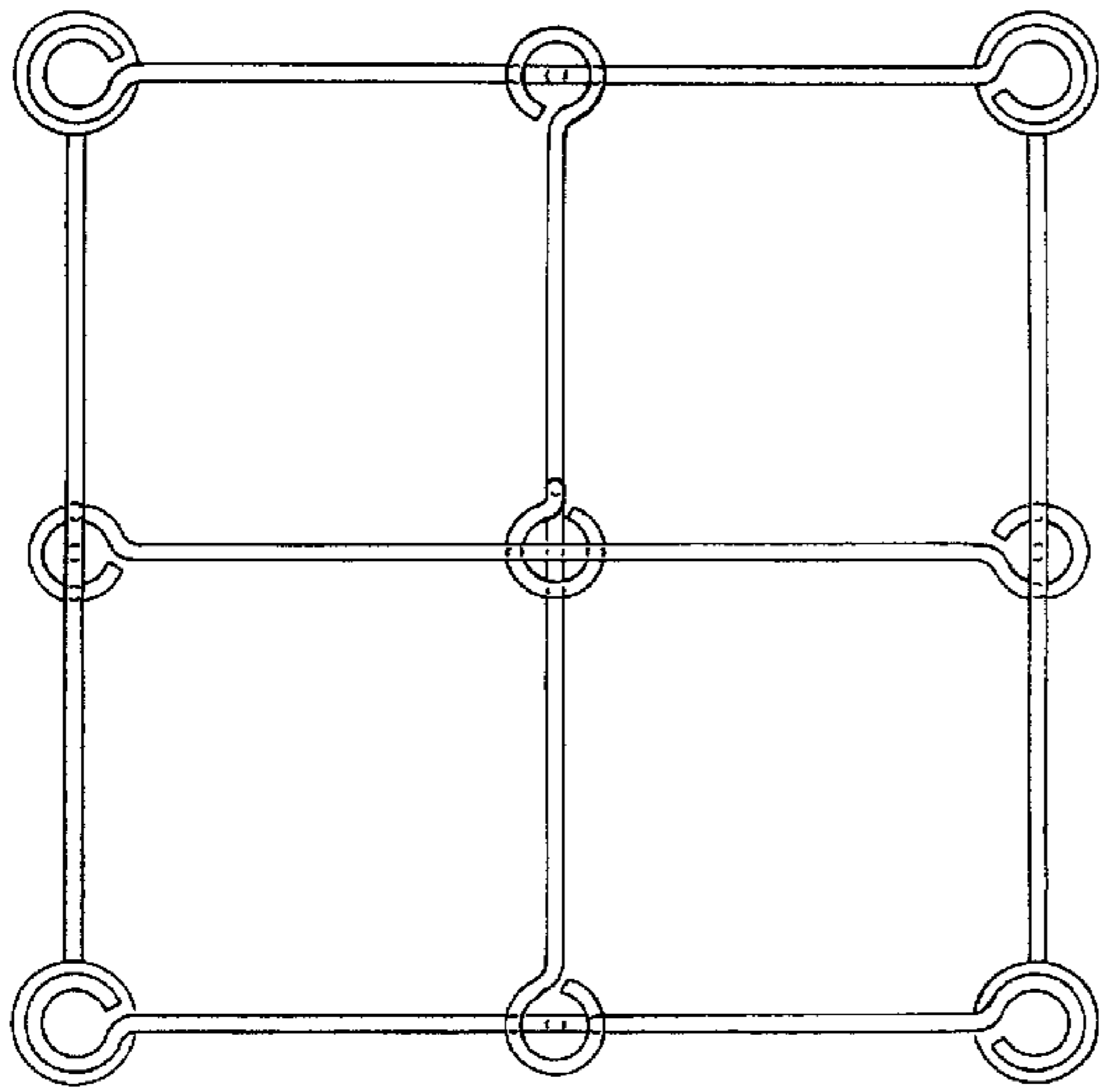


FIG. 1

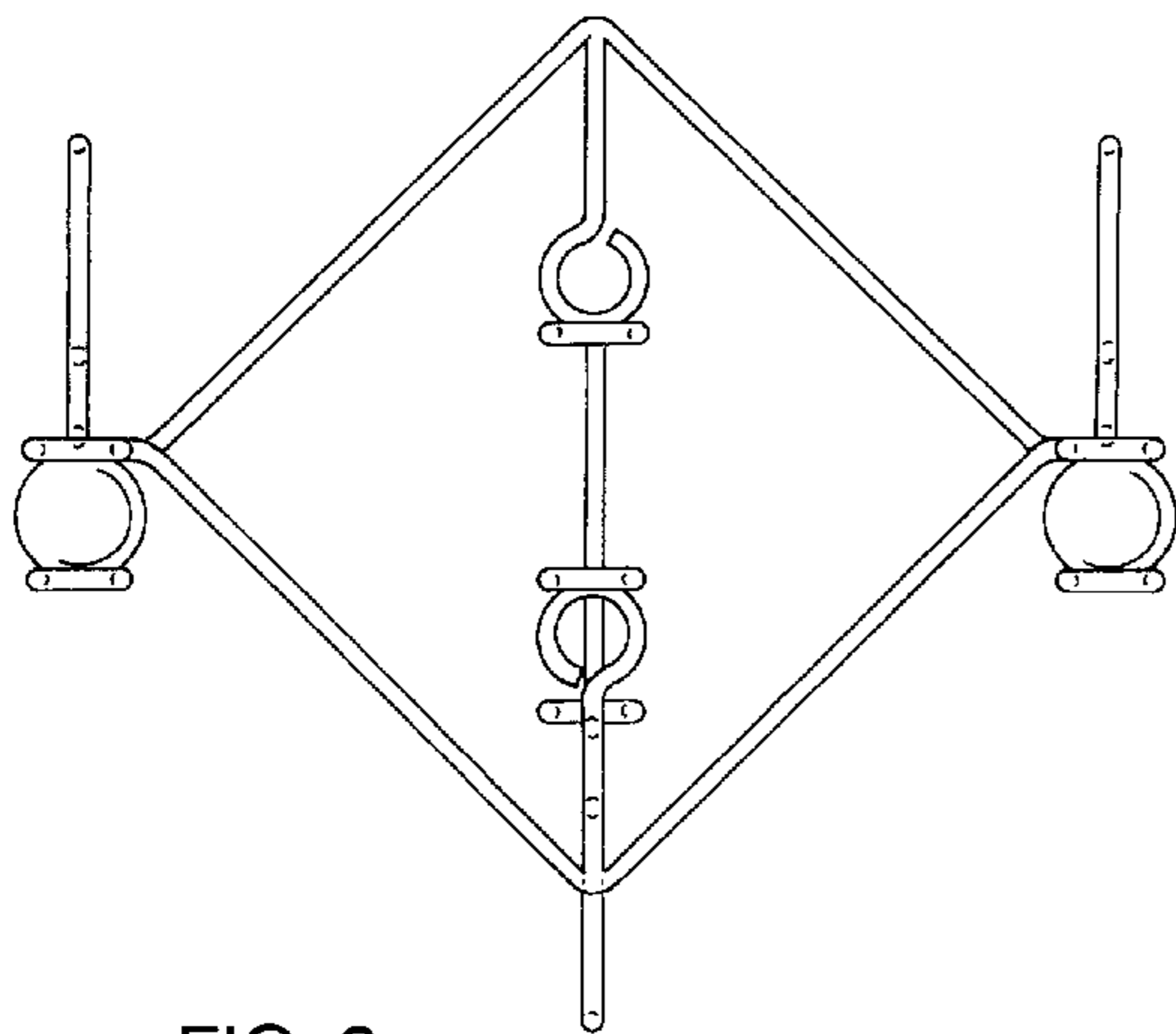


FIG. 2

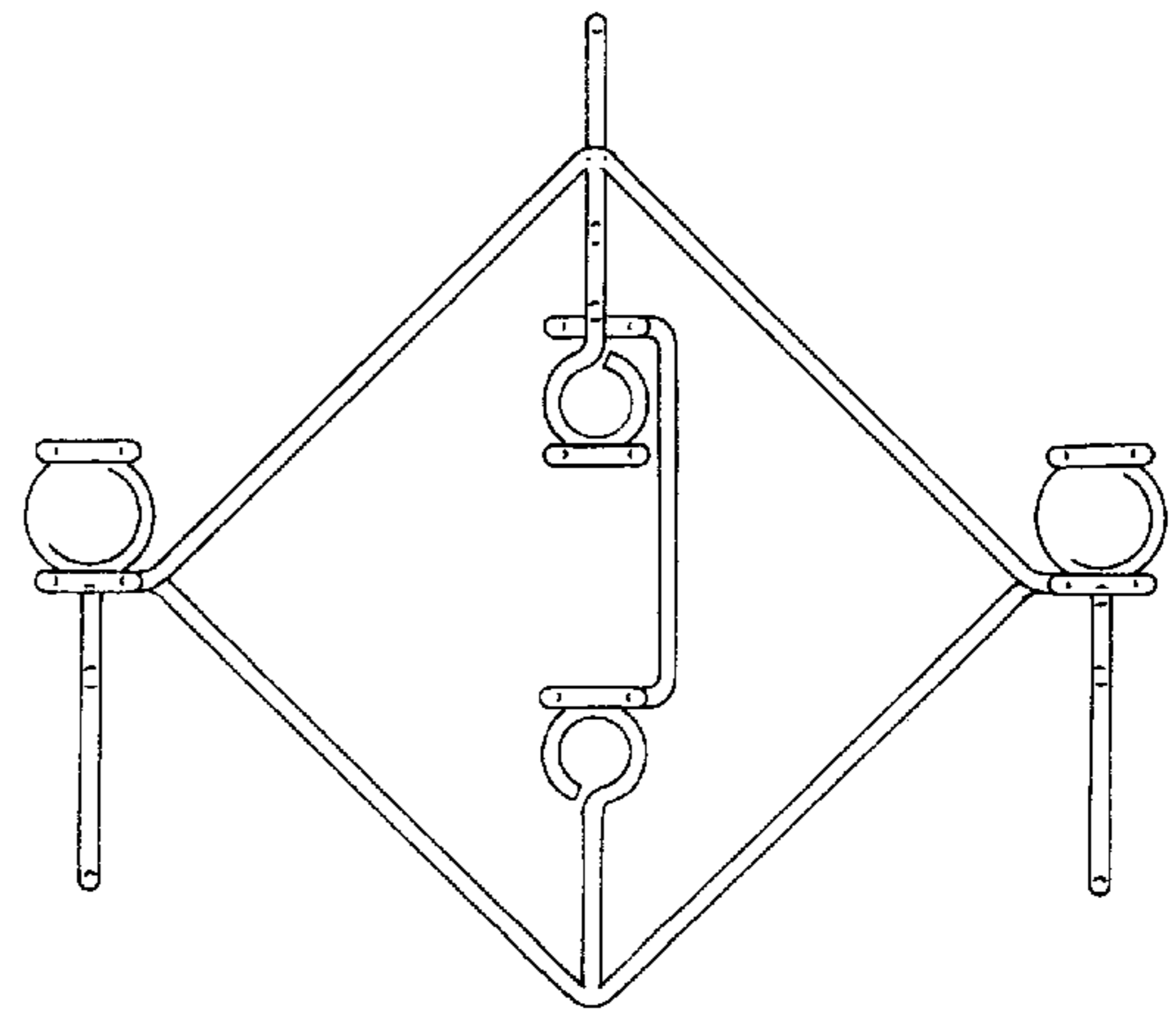


FIG. 3

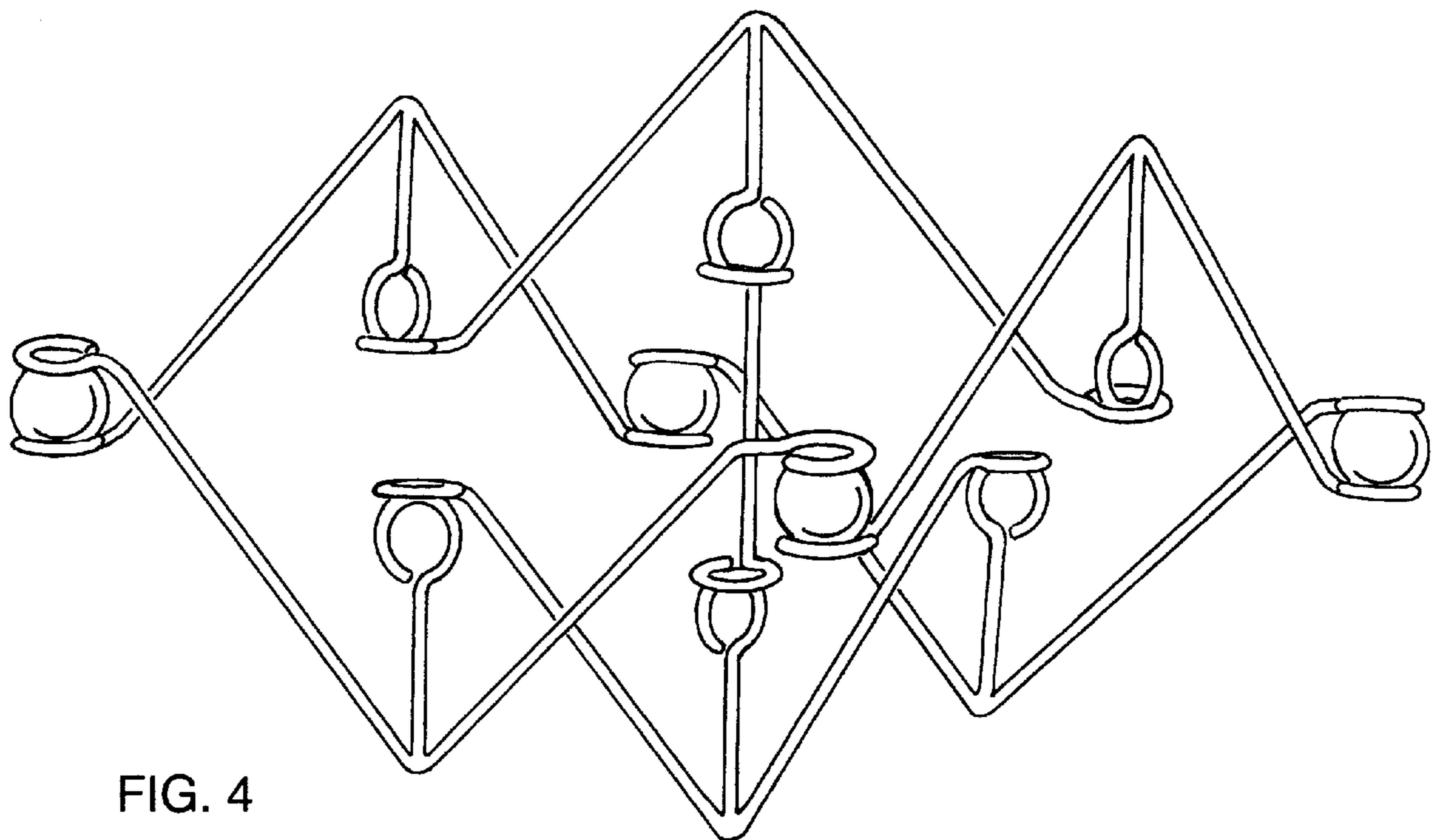


FIG. 4