



US00D415212S

# United States Patent [19]

Hornsby et al.

[11] Patent Number: **Des. 415,212**

[45] Date of Patent: **\*\* Oct. 12, 1999**

[54] **LOCKET AMUSEMENT DEVICE**  
[75] Inventors: **Russell Hornsby; Bernard Jankowski**, both of St. Louis; **Joseph Lee McGowan**, St. Peters; **Ryan A. Wolfinbarger**, Maplewood, all of Mo.

[73] Assignee: **Trendmasters, Inc.**, St. Louis, Mo.

[\*\*] Term: **14 Years**

[21] Appl. No.: **29/090,499**

[22] Filed: **Jul. 9, 1998**

[51] **LOC (6) Cl.** ..... **21-01**

[52] **U.S. Cl.** ..... **D21/330**

[58] **Field of Search** ..... D21/324, 329, D21/330; D14/124, 125; 463/1, 2, 29-35, 46, 47; 278/148 B

[56] **References Cited**

**U.S. PATENT DOCUMENTS**

D. 333,493	2/1993	Sato	.....	D21/330
D. 343,202	1/1994	Peersmann	.....	D21/324
D. 396,852	8/1998	Chao	.....	D14/114
D. 398,659	9/1998	Yokoi	.....	D21/333
D. 399,268	10/1998	Liu	.....	D21/333

D. 401,297	11/1998	Fai	.....	D21/329
4,504,062	3/1985	Smith, III et al.	.....	463/2
5,181,009	1/1993	Perona	.....	463/47 X
5,265,009	11/1993	Colavita	.....	463/1

**OTHER PUBLICATIONS**

Hong Kong Enterprise, pp. 128, 135, 459, Oct. 1994.

*Primary Examiner*—Prabhakar Deshmukh

*Attorney, Agent, or Firm*—Dorsey & Whitney LLP

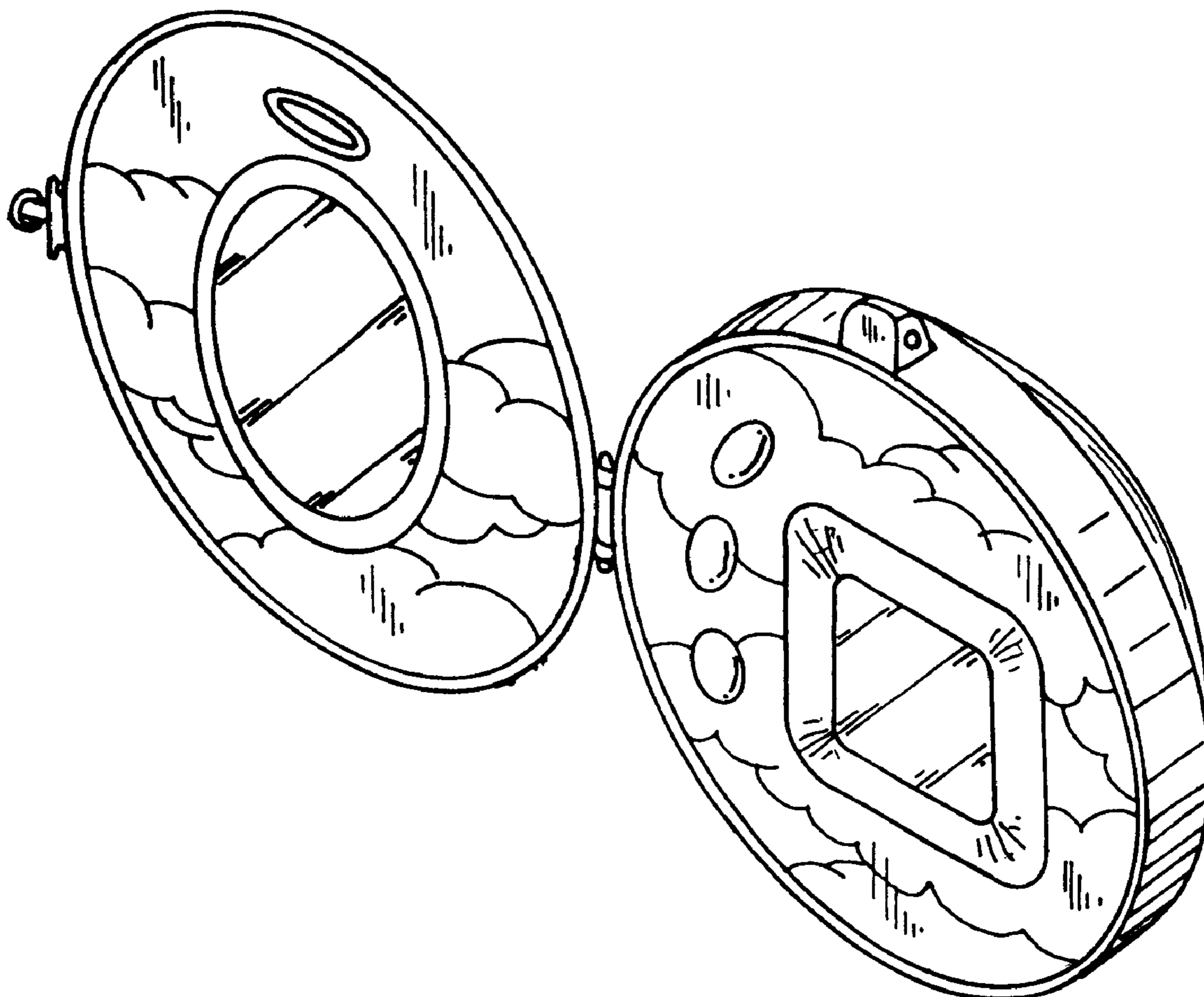
[57] **CLAIM**

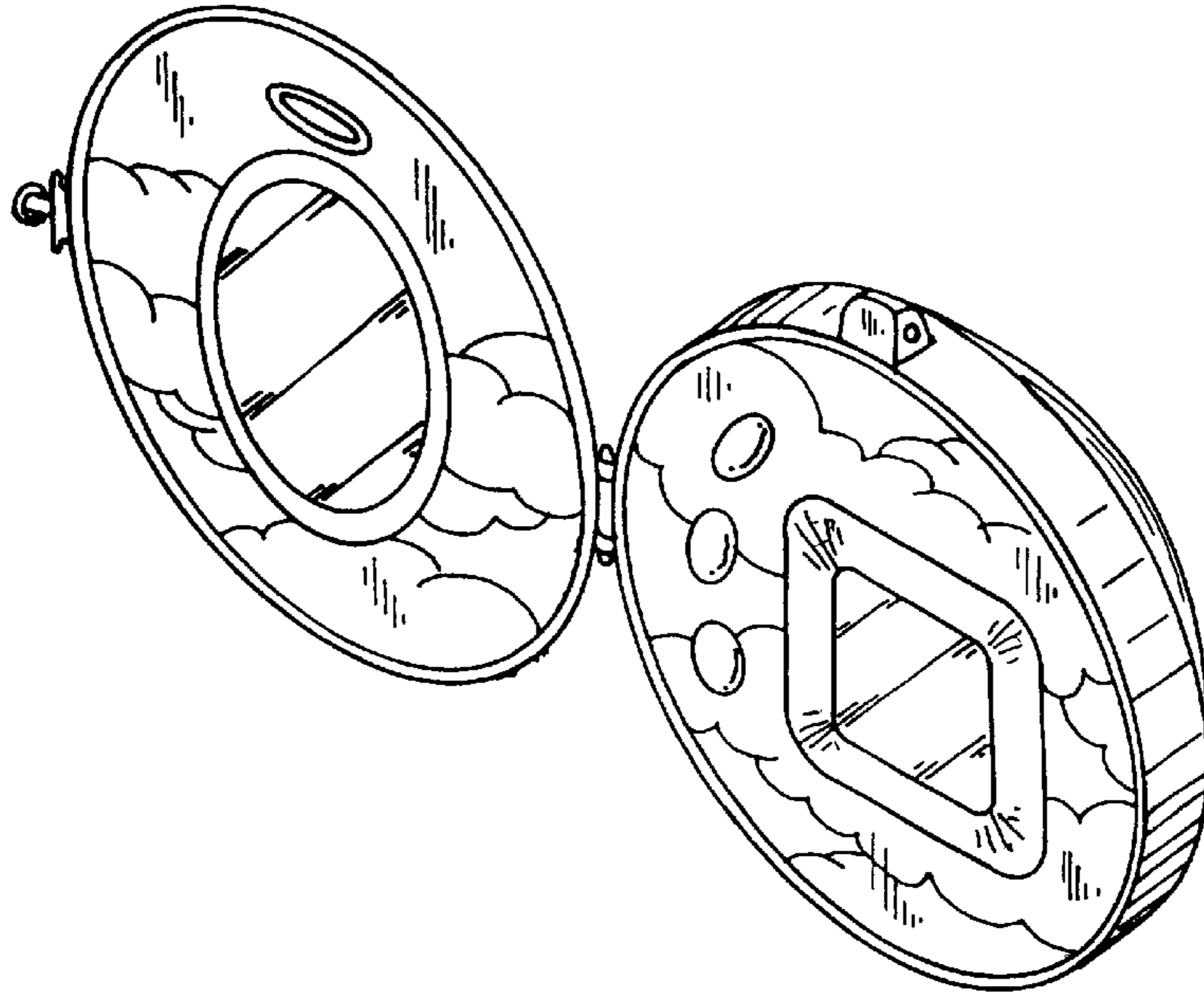
The ornamental design for a locket amusement device, as shown and described.

**DESCRIPTION**

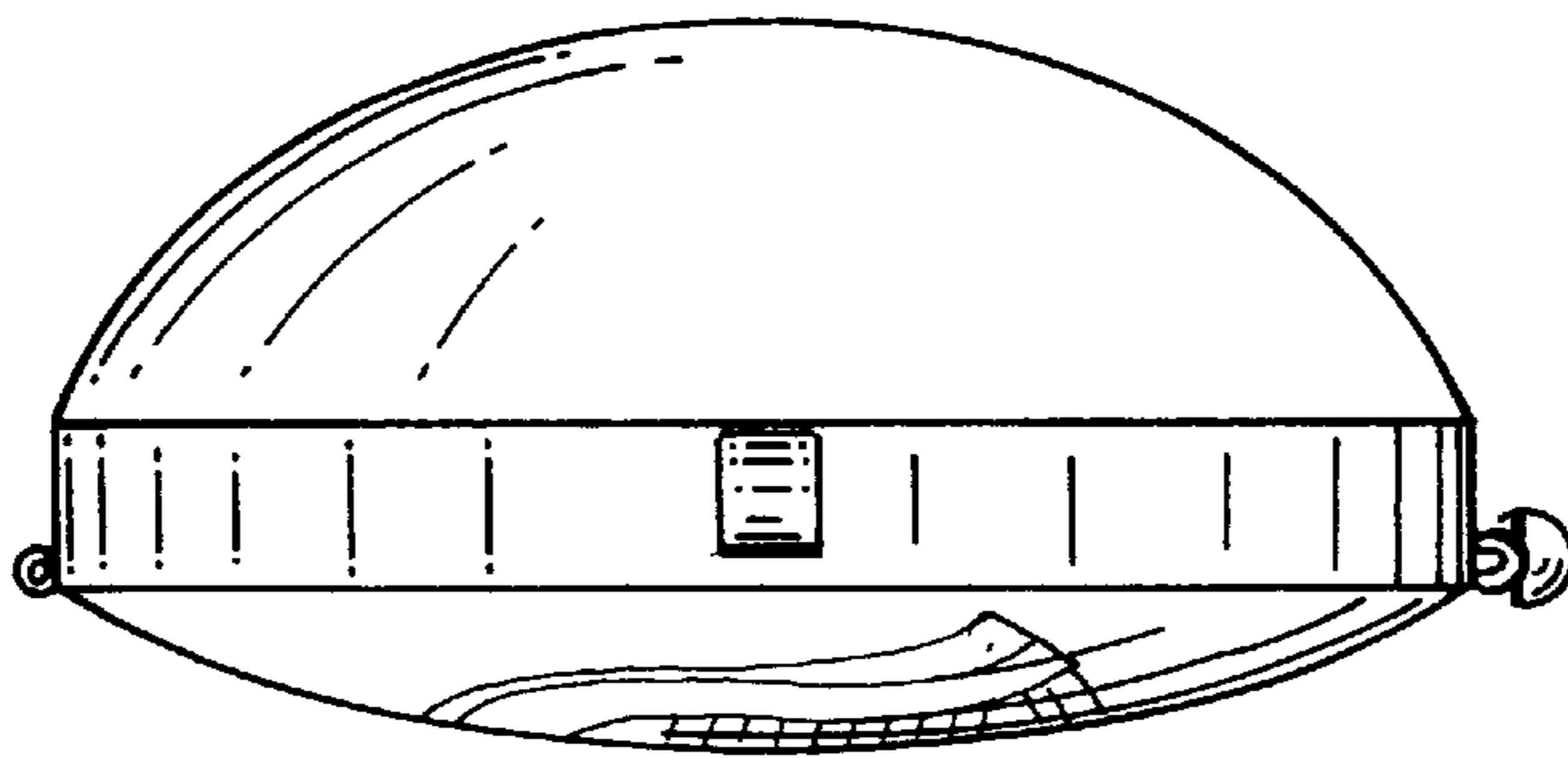
FIG. 1 is a perspective view of a locket amusement device showing our new design, shown in an open position; FIG. 2 is a bottom plan view thereof, shown in a closed position; FIG. 3 is a front elevational view thereof; FIG. 4 is a left side elevational view thereof; FIG. 5 is a right side elevational view thereof; FIG. 6 is a rear elevational view thereof; and, FIG. 7 is a top plan view thereof.

**1 Claim, 2 Drawing Sheets**

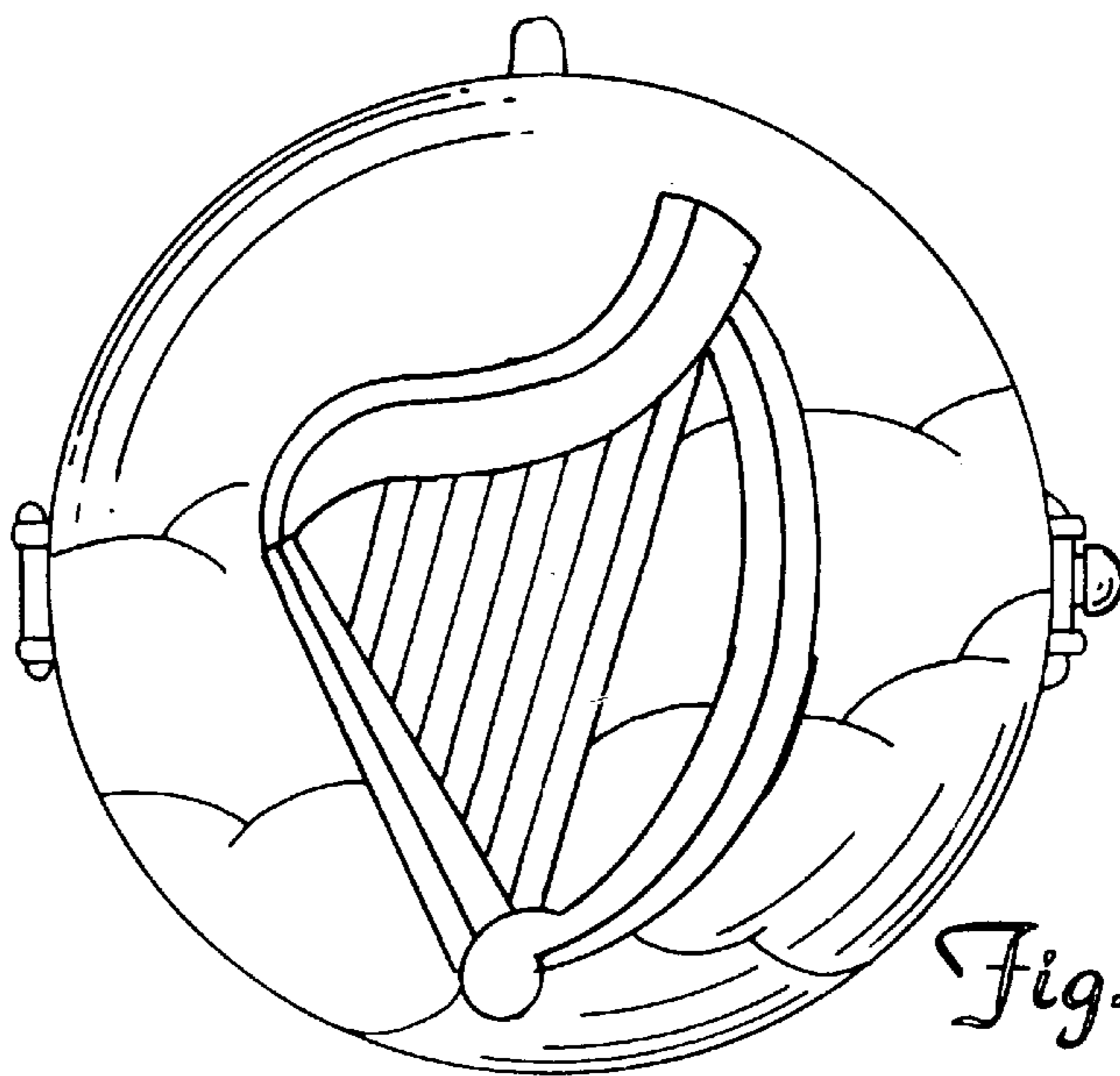




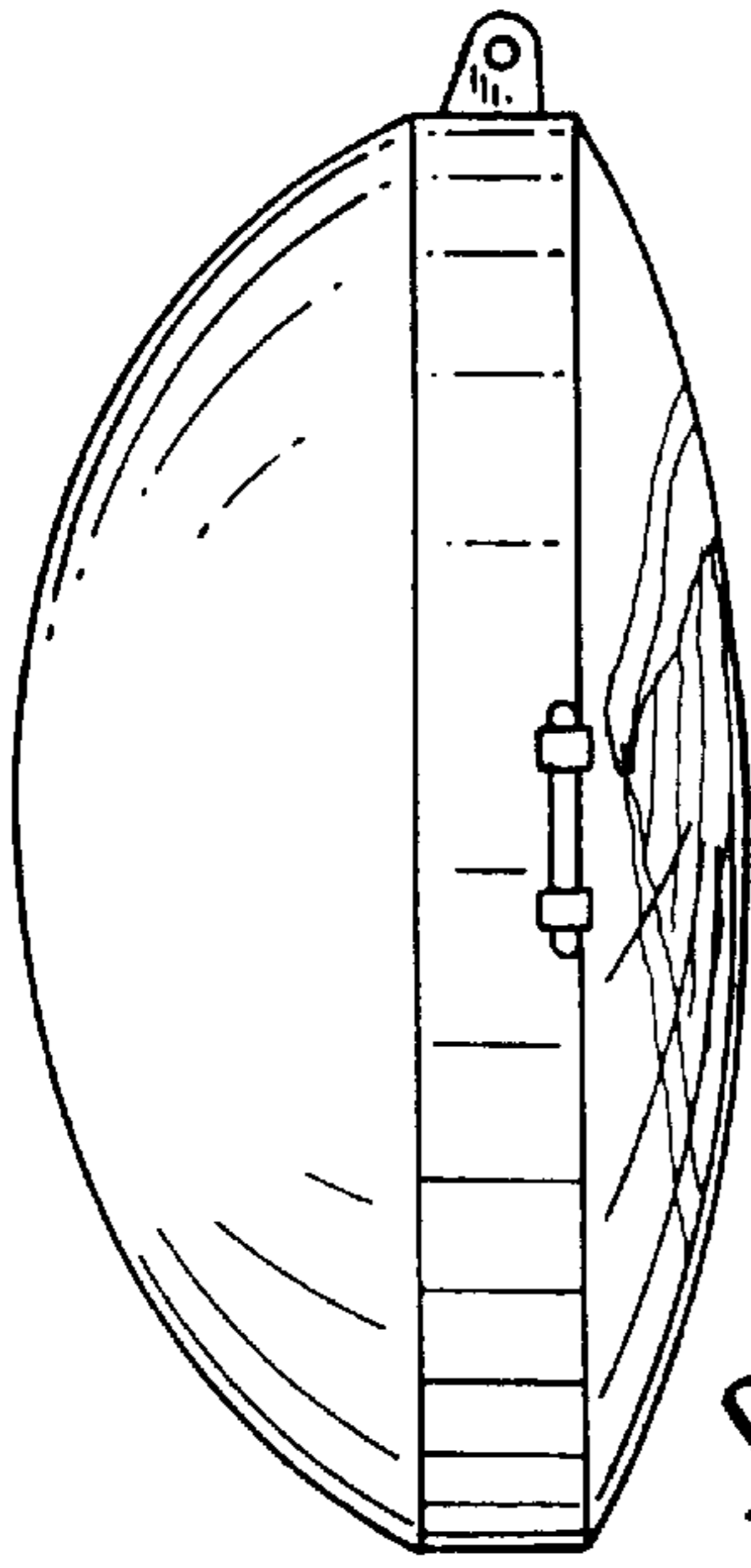
*Fig. 1*



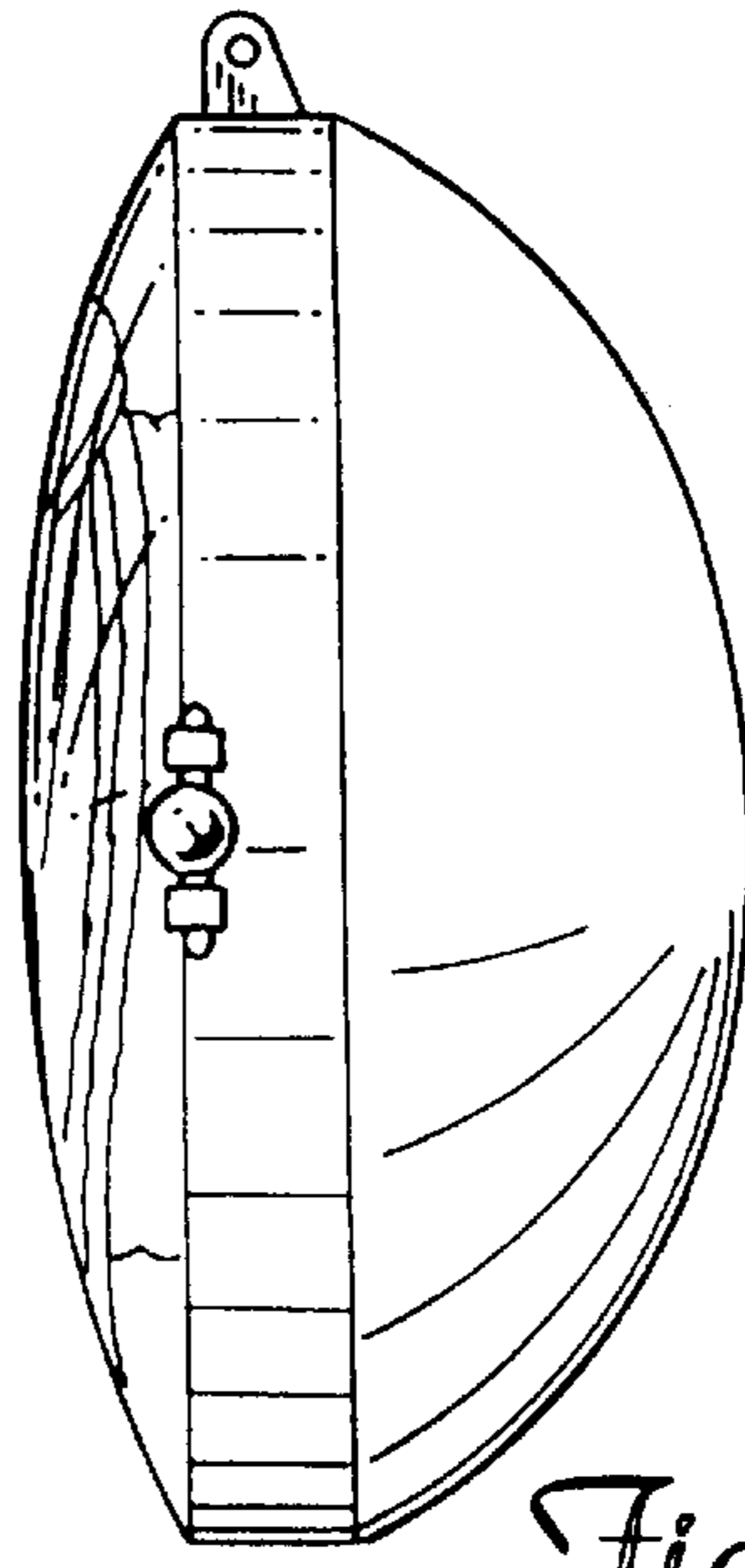
*Fig. 2*



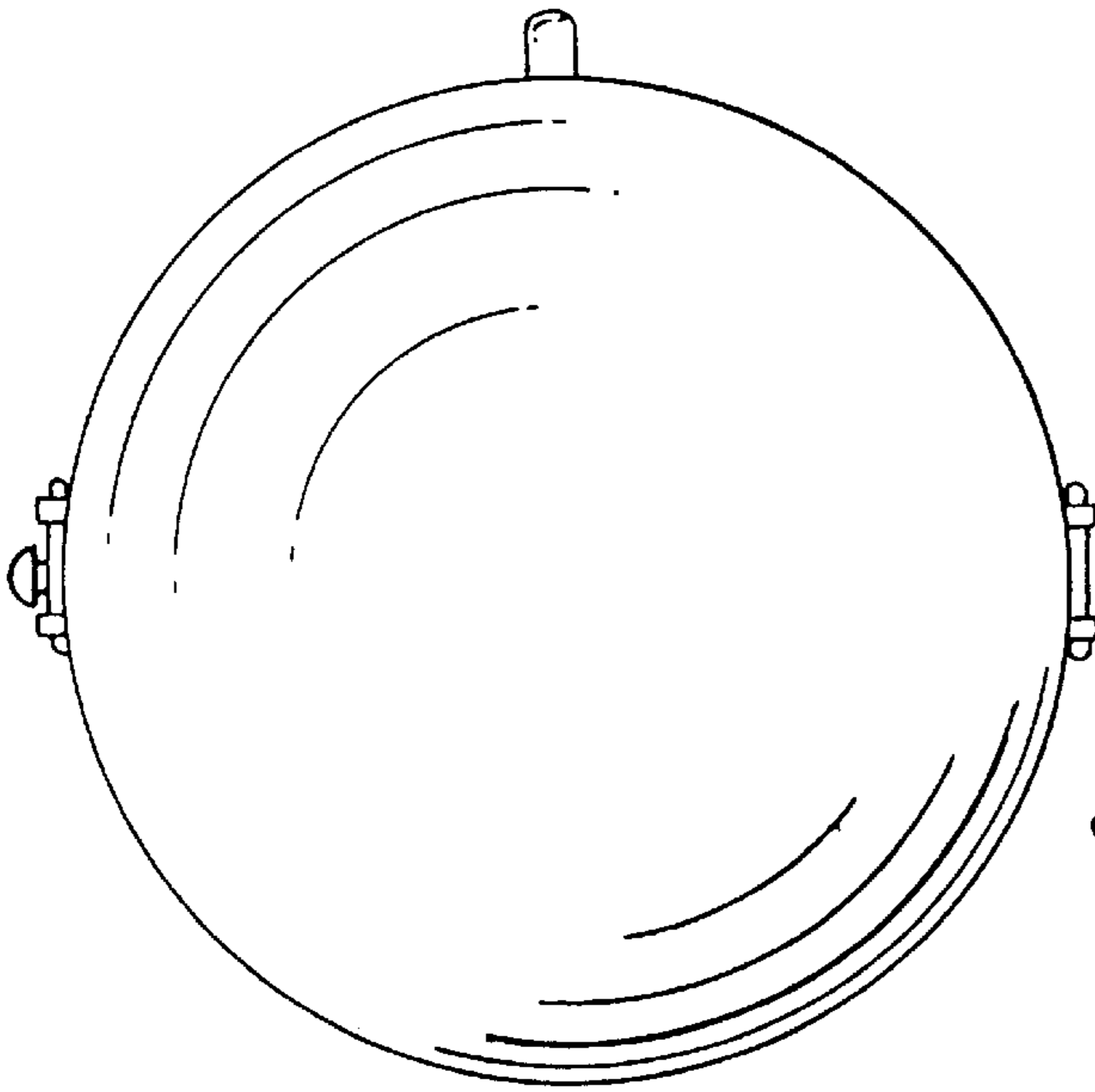
*Fig. 3*



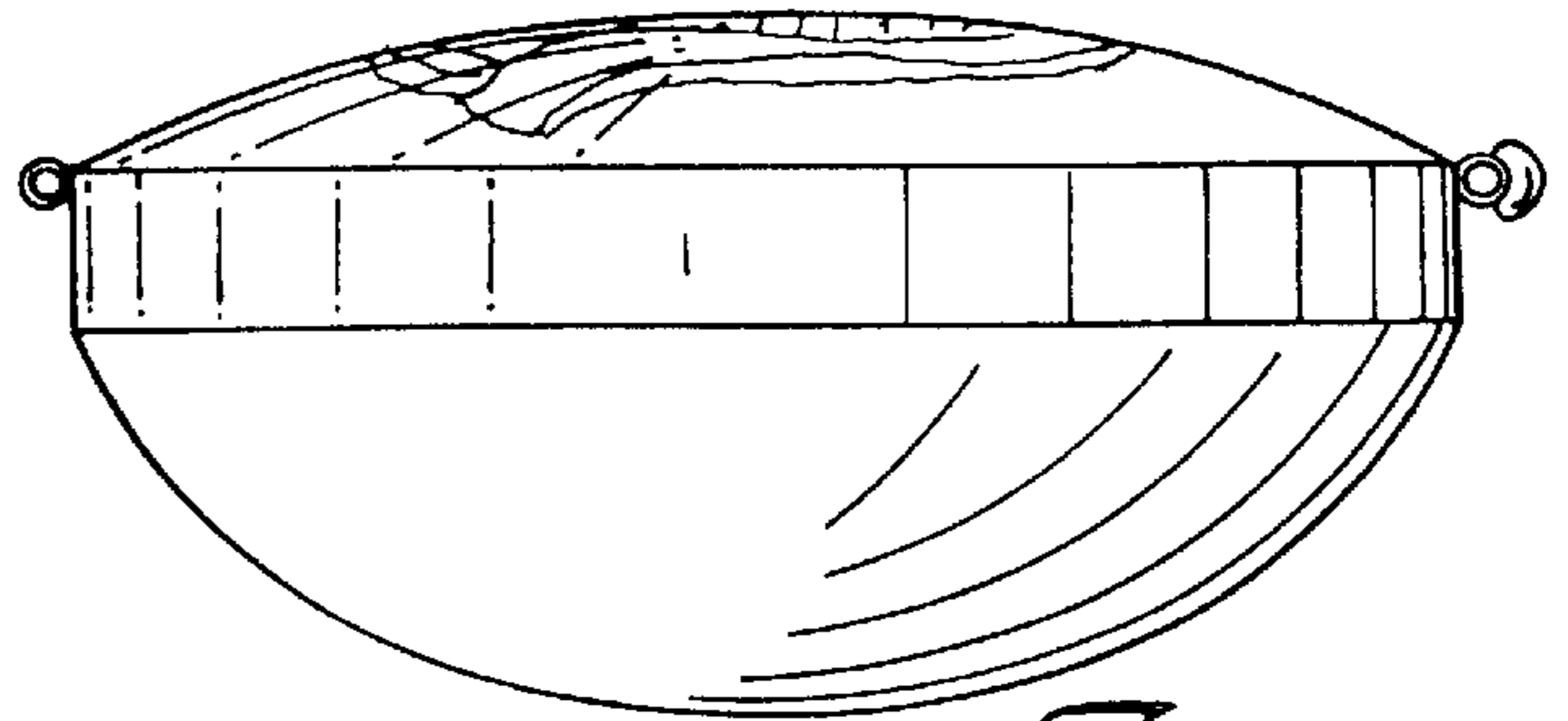
*Fig. 4*



*Fig. 5*



*Fig. 6*



*Fig. 7*