



US00D415211S

# United States Patent [19] Yamaguchi

[11] Patent Number: Des. 415,211

[45] Date of Patent: \*\* Oct. 12, 1999

[54] GAME MACHINE

[75] Inventor: Takashi Yamaguchi, Zama, Japan

[73] Assignee: Konami Co., Ltd., Hyogo-ken, Japan

[\*\*] Term: 14 Years

[21] Appl. No.: 29/071,397

[22] Filed: Jun. 2, 1997

### [30] Foreign Application Priority Data

Dec. 6, 1996 [JP] Japan ..... 8-37038

[51] LOC (6) Cl. .... 21-01

[52] U.S. Cl. .... D21/327

[58] Field of Search ..... D21/1, 324, 325,  
D21/327; 463/1, 30, 31, 35, 46, 47, 51,  
52; 273/355, 356, 357, 405, 148 B

### [56] References Cited

#### U.S. PATENT DOCUMENTS

D. 243,625	3/1977	Sauter	.....	D21/327
D. 247,321	2/1978	Cook	.....	D21/327
D. 248,982	8/1978	Cook	.....	D21/327
D. 251,395	3/1979	Kula	.....	D21/327
D. 364,650	11/1995	Hanscom	.....	D21/327

Primary Examiner—Prabhakar G. Deshmukh  
Attorney, Agent, or Firm—Jordan and Hamburg LLP

[57] CLAIM

The ornamental design for a game machine, as shown and described.

### DESCRIPTION

FIG. 1 is a perspective view of a game machine;  
 FIG. 2 is a front view of the game machine;  
 FIG. 3 is a rear view of the game machine;  
 FIG. 4 is a left side view of the game machine;  
 FIG. 5 is a right side view of the game machine;  
 FIG. 6 is a top view of the game machine;  
 FIG. 7 is a bottom view of the game machine;  
 FIG. 8 is a view of a section taken along the line 8—8 in FIG. 2;  
 FIG. 9 is a view of a section taken along the line 9—9 in FIG. 2;  
 FIG. 10 is a view of a section taken along the line 10—10 in FIG. 4;  
 FIG. 11 is a perspective view of a second embodiment of the game machine; and,  
 FIG. 12 is a perspective view of a third embodiment of the game machine.  
 The corresponding views of the second (FIG. 11) and the third (FIG. 12) embodiments are similar to that of FIGS. 1—7 of the first embodiment.

1 Claim, 12 Drawing Sheets

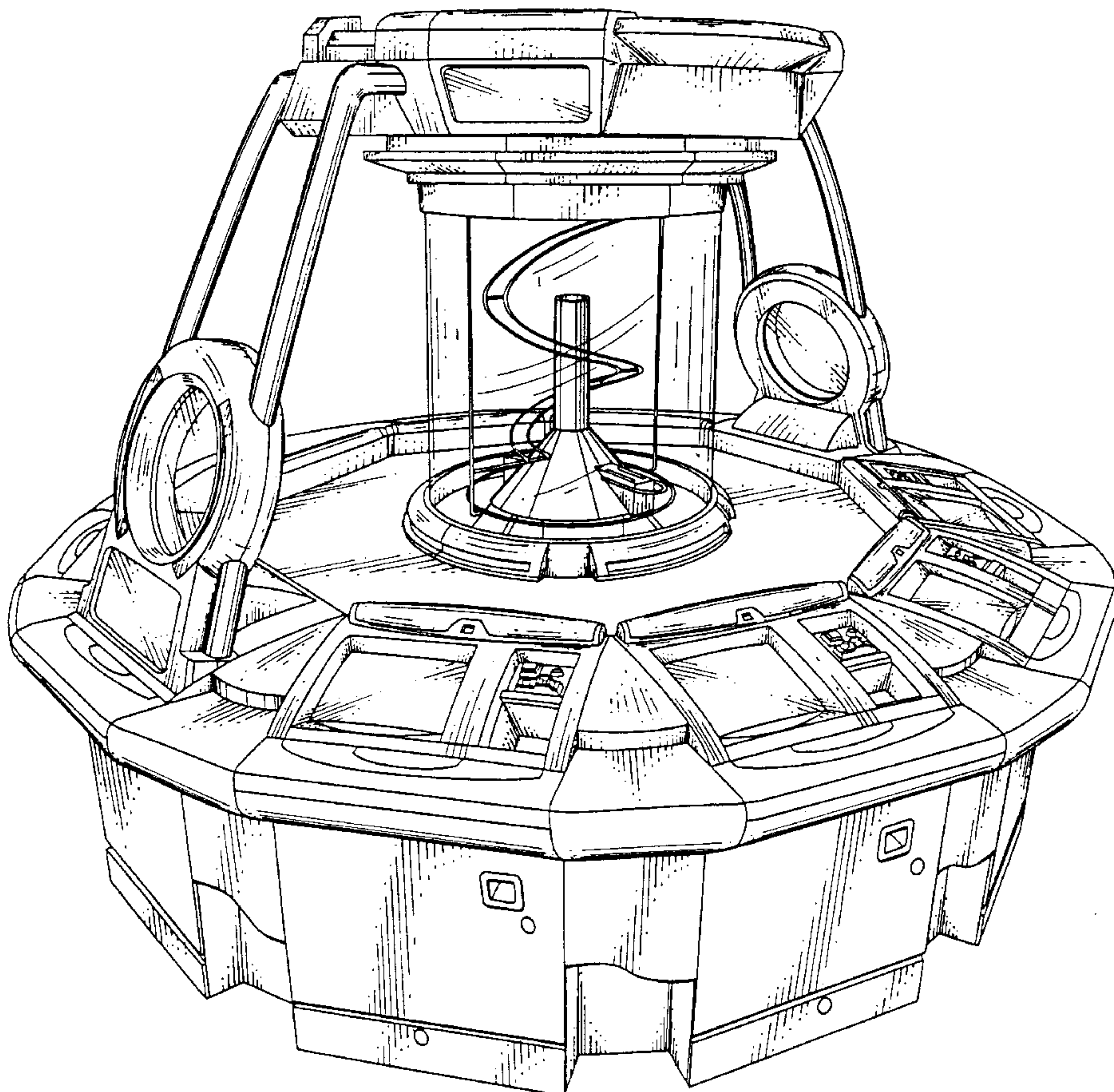


FIG. 1

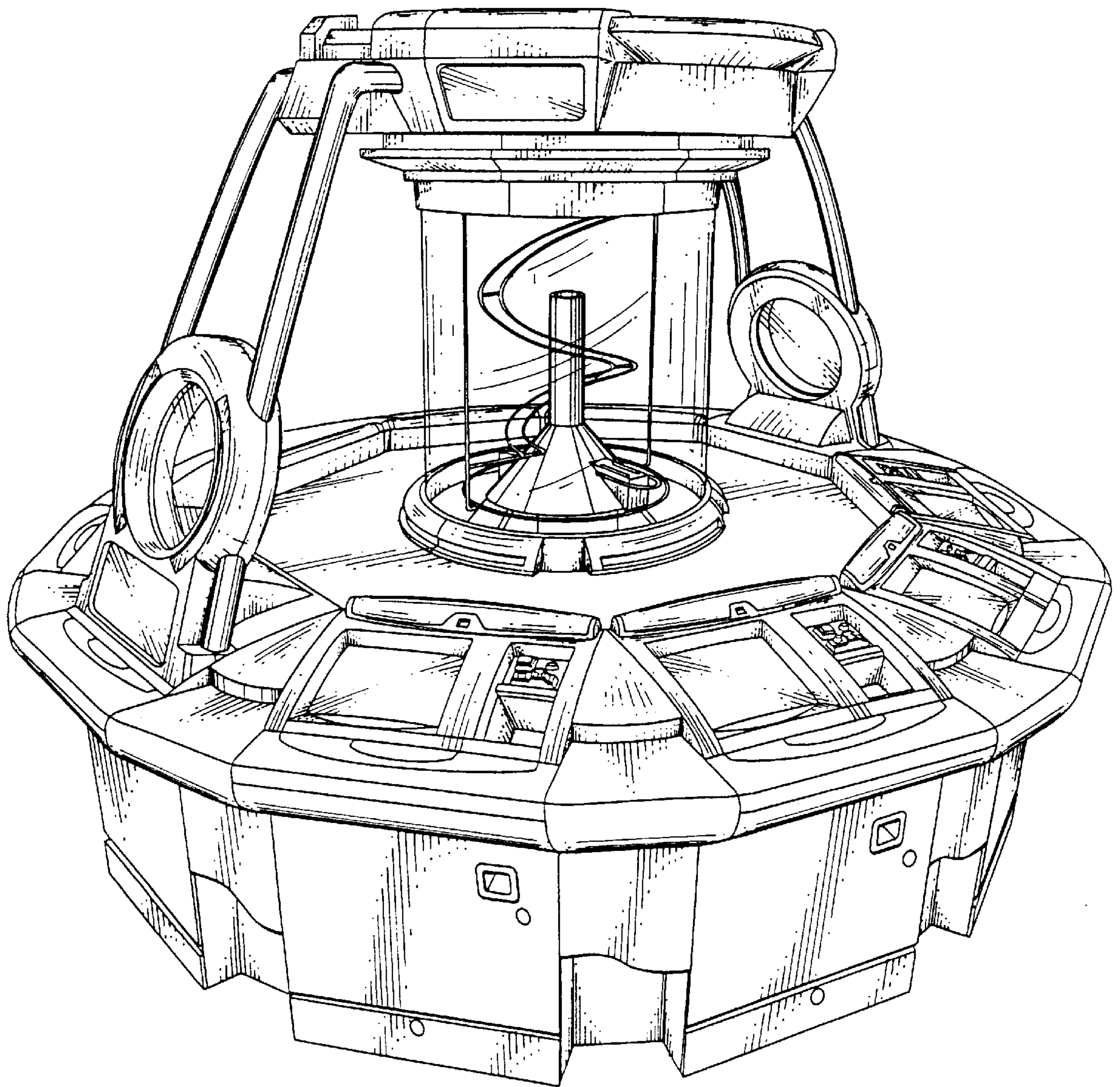




FIG. 2

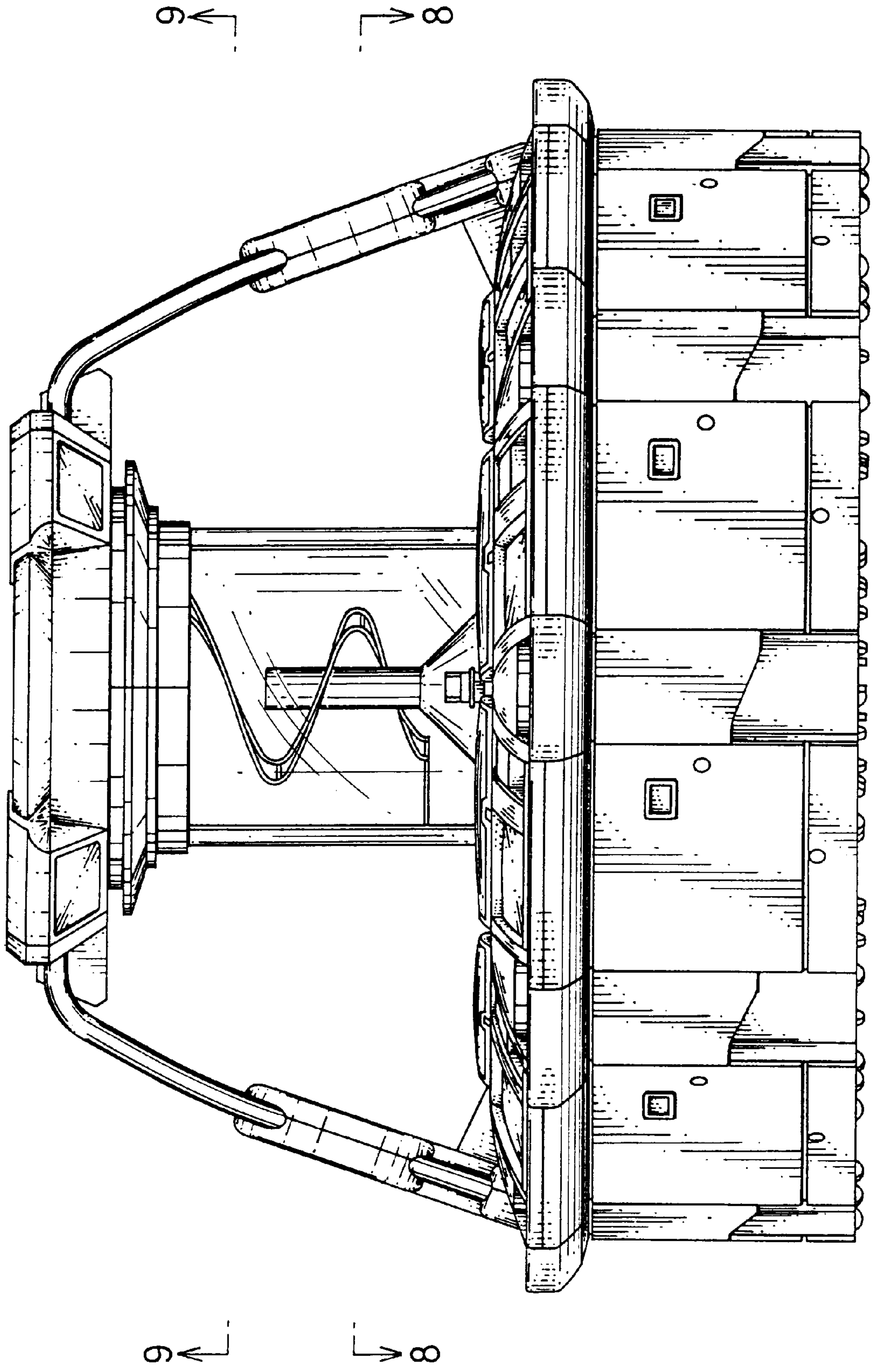


FIG. 3

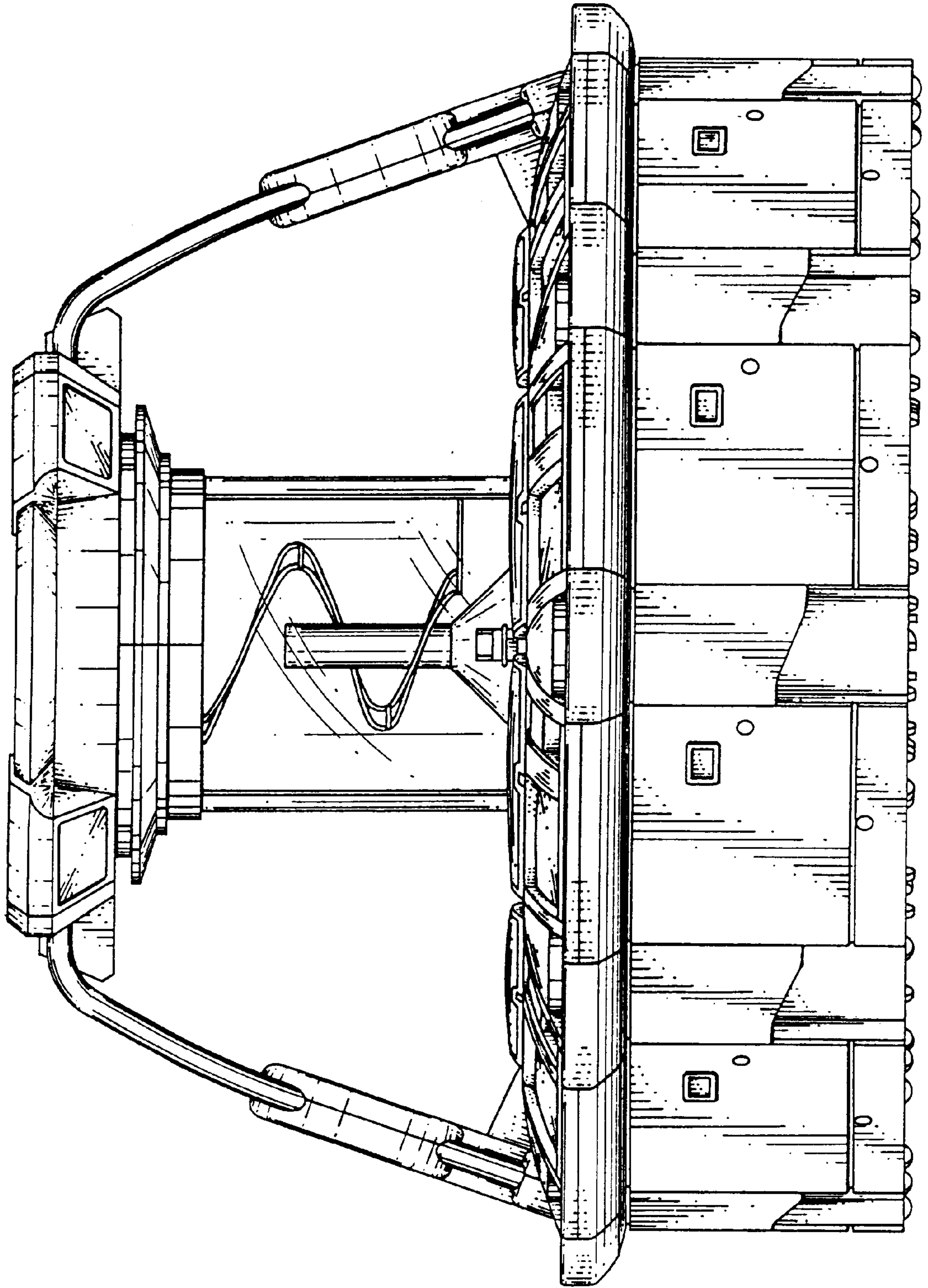


FIG. 4

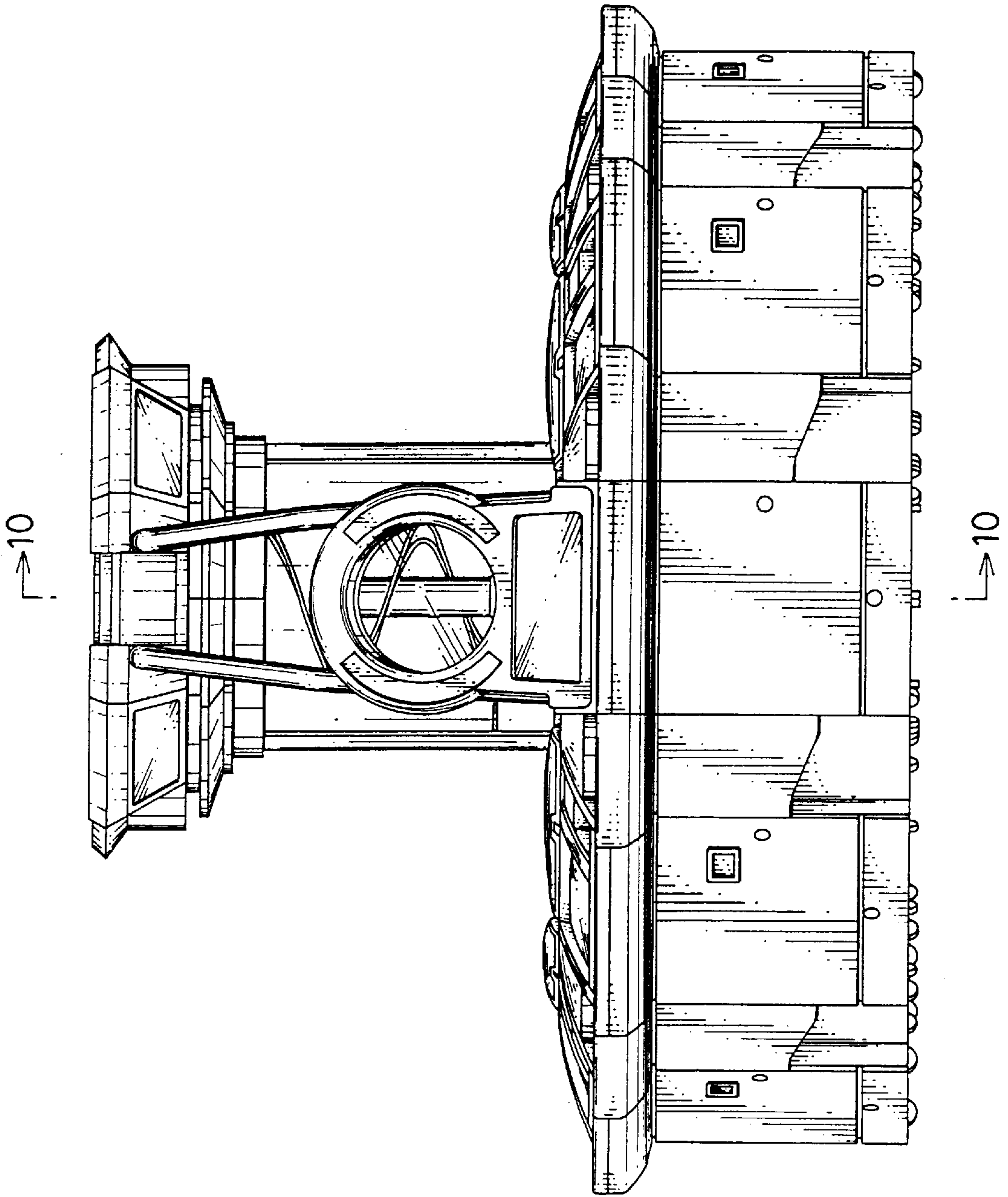
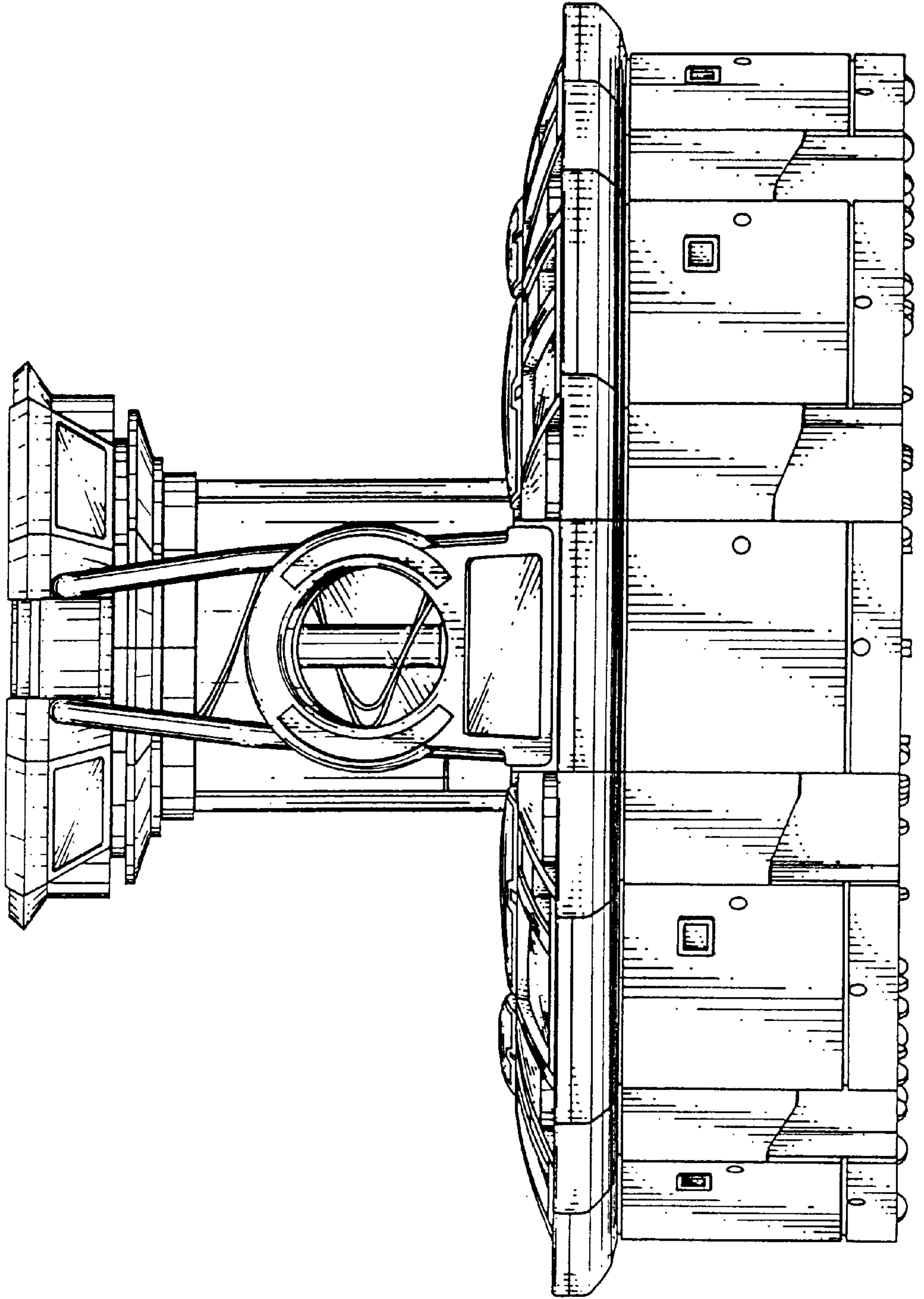


FIG. 5





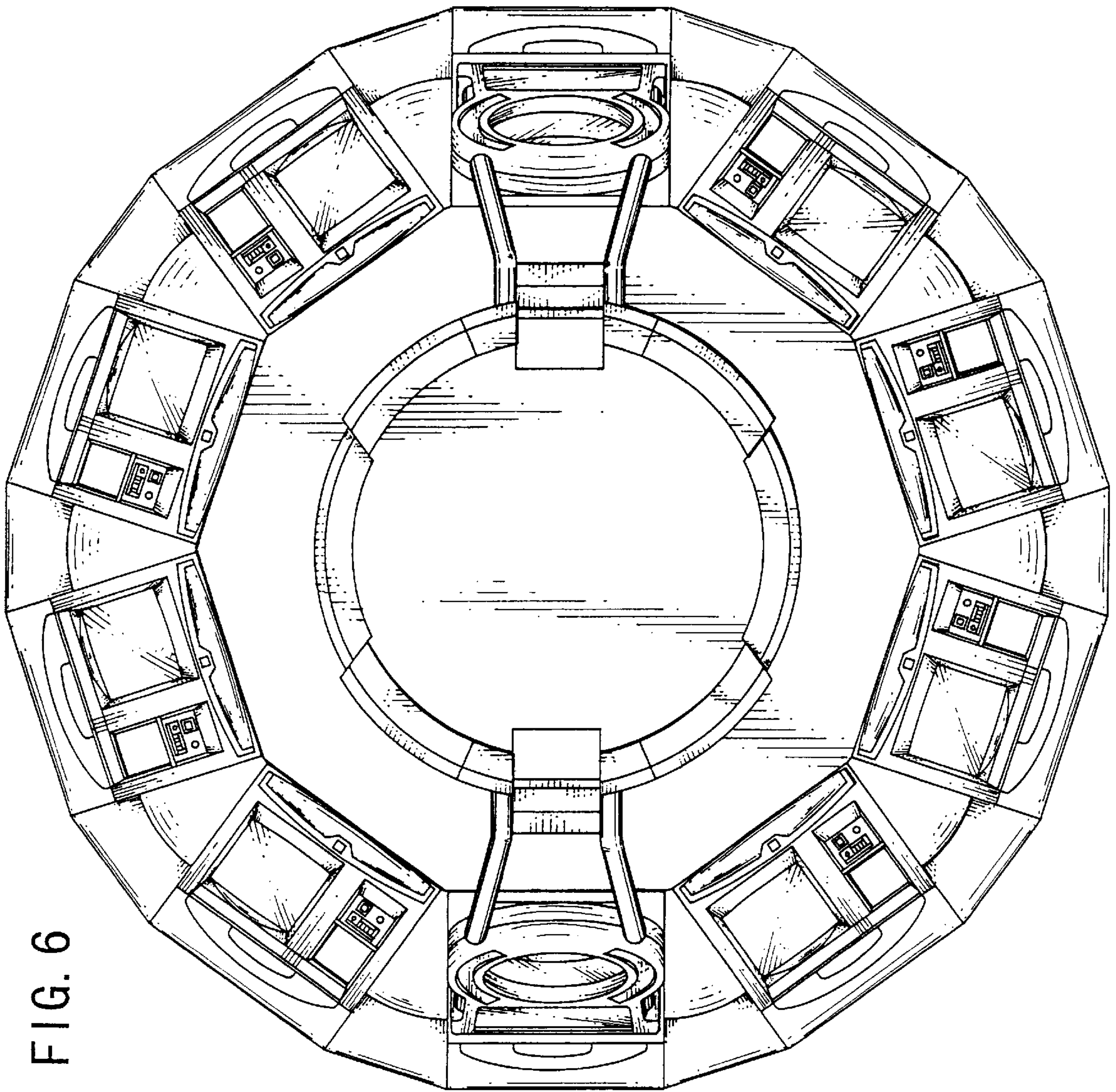


FIG. 6

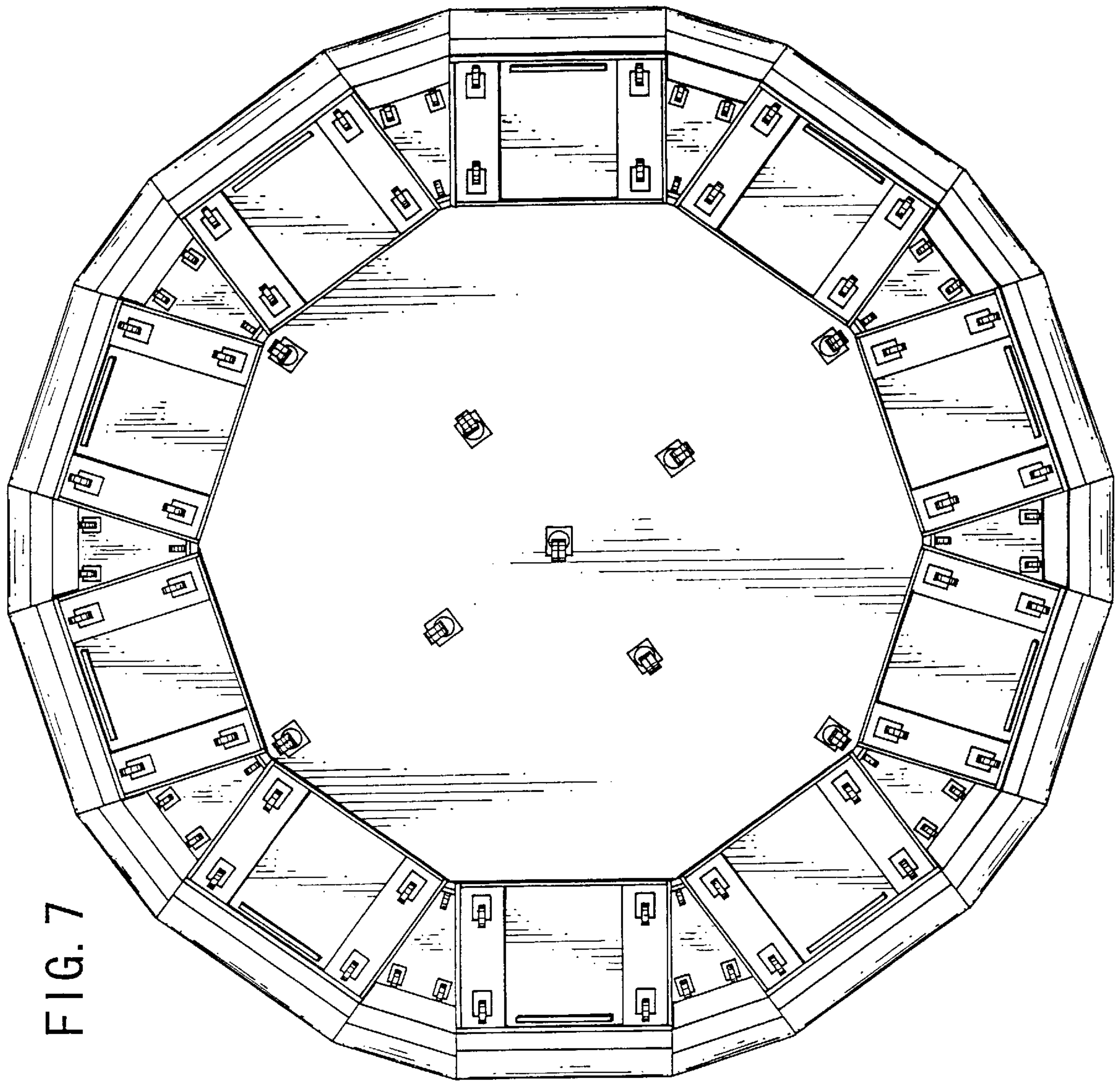


FIG. 7



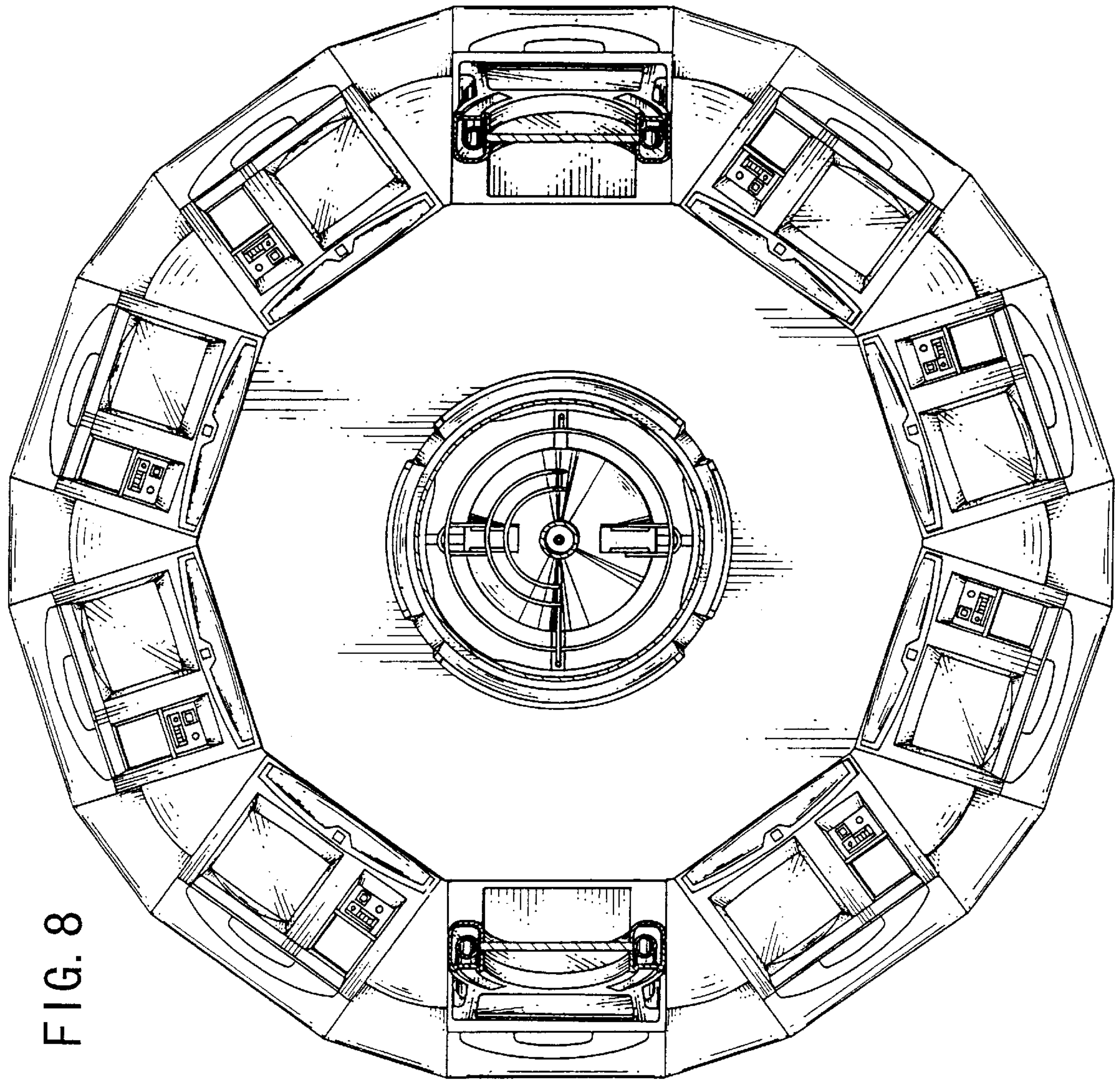


FIG. 8

FIG. 9

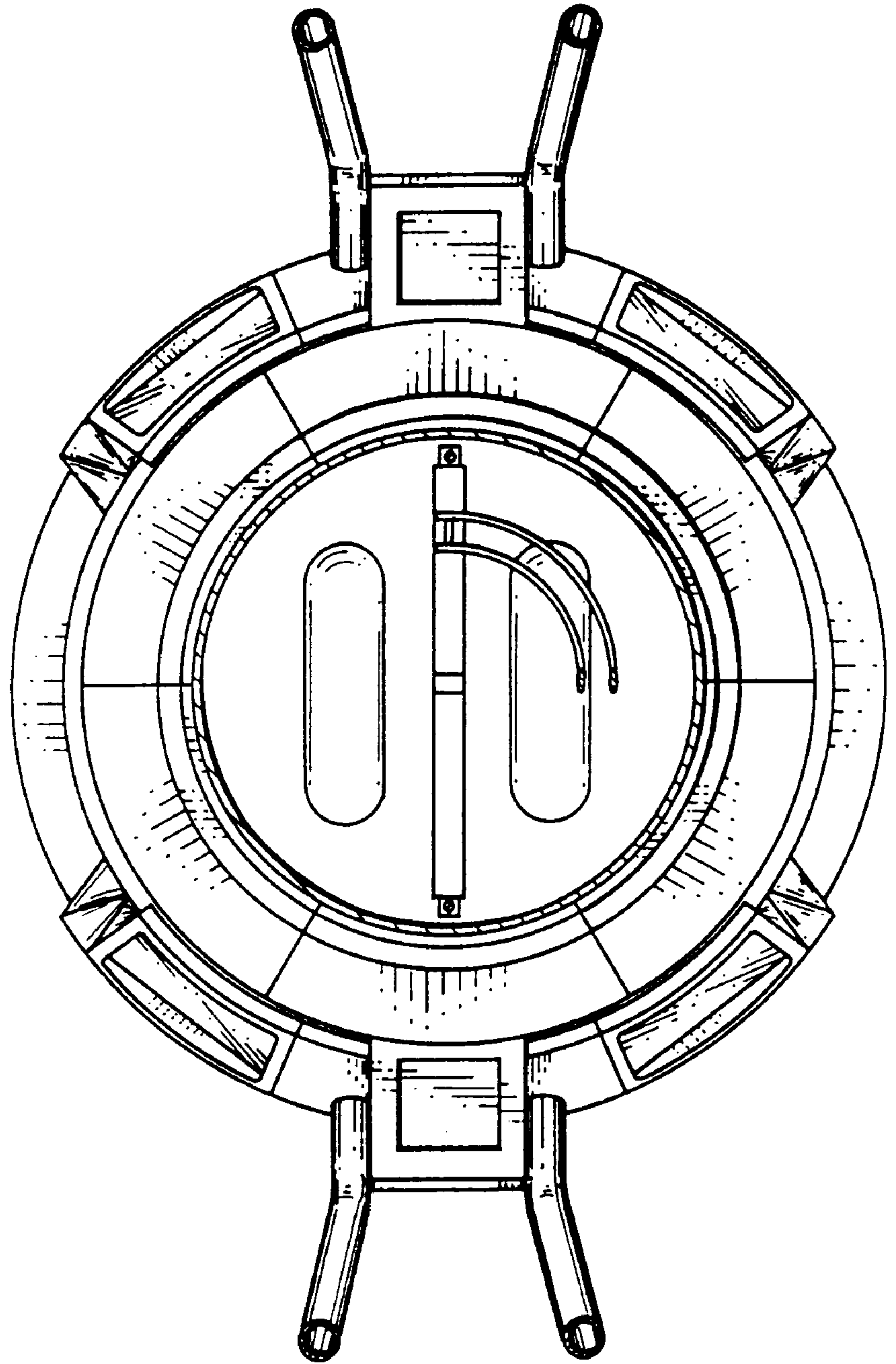


FIG. 10

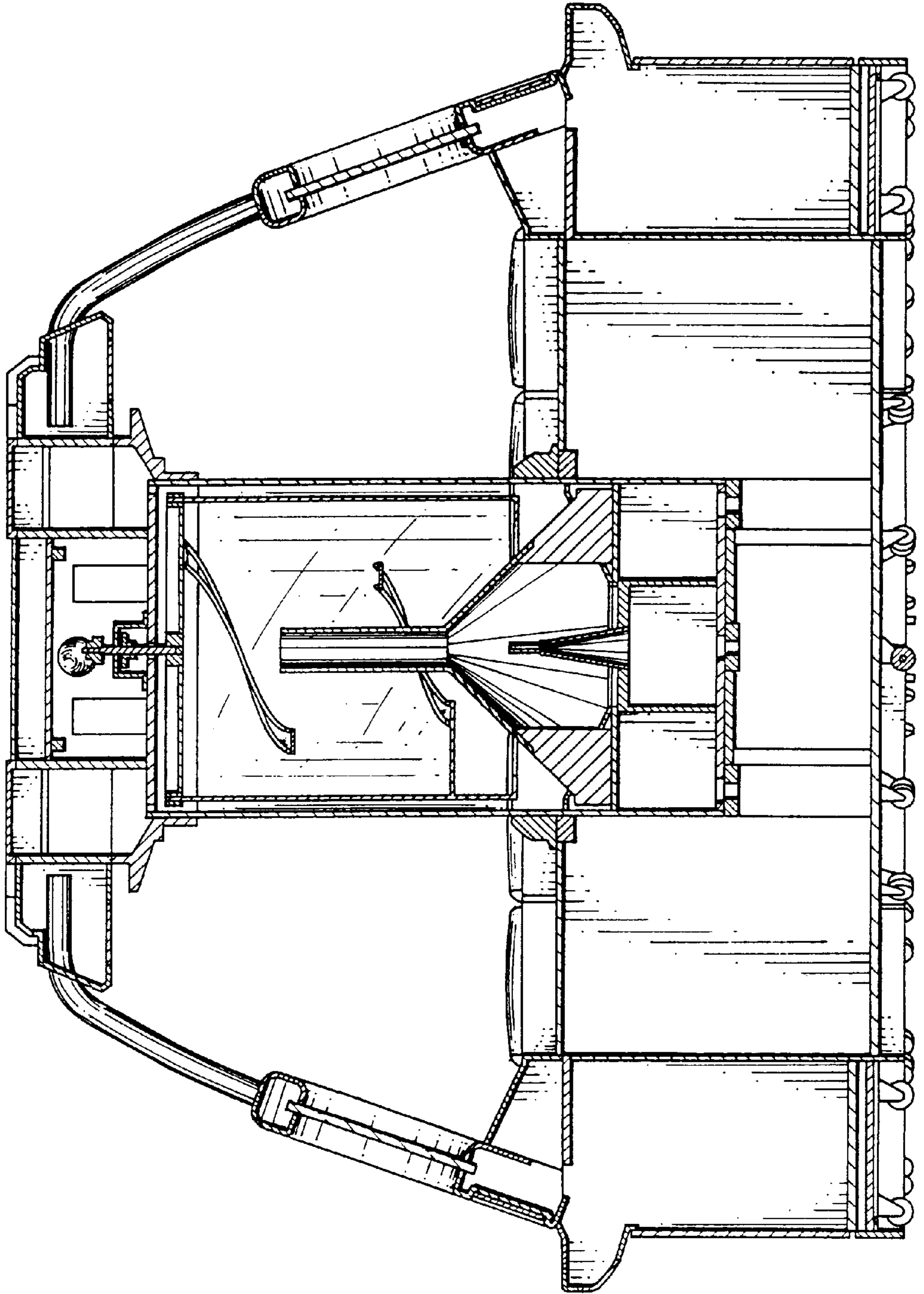




FIG. 11

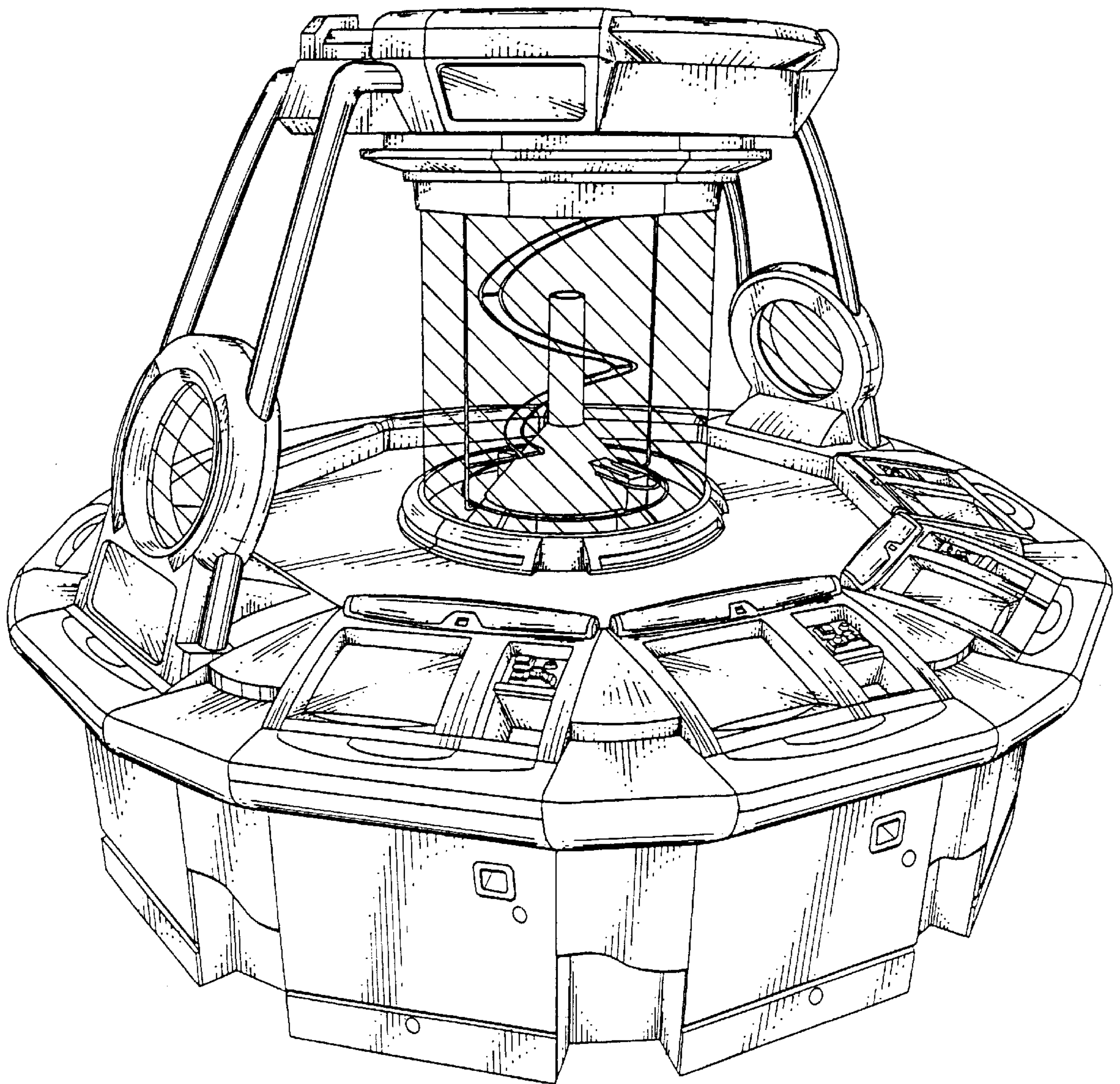


FIG. 12

