



US00D415210S

United States Patent [19] Tavares

[11] Patent Number: Des. 415,210

[45] Date of Patent: ** Oct. 12, 1999

[54] BALL AND PIN GAME

[76] Inventor: Manuel Ferreira Tavares, RR #2, Erin, Ontario, Canada, N0B 1T0

[**] Term: 14 Years

[21] Appl. No.: 29/096,269

[22] Filed: Nov. 9, 1998

[30] Foreign Application Priority Data

May 15, 1998 [CA] Canada 1998-1209

[51] LOC (6) Cl. 21-01

[52] U.S. Cl. D21/317

[58] Field of Search D21/317, 785, D21/786; 273/108, 108.1

[56] References Cited

U.S. PATENT DOCUMENTS

D. 124,351	12/1940	Williams et al.	D21/317
186,948	2/1877	Bauch .	
D. 246,675	12/1977	Neymarc	D21/317
D. 309,922	8/1990	Jorgensen	D21/317
D. 343,219	1/1994	Unterberger	D21/317
D. 345,993	4/1994	Sweetland	D21/317
1,971,295	8/1934	Calaluca .	
2,048,915	7/1936	Bayer .	

2,147,526	2/1939	Farmer .	
2,317,289	4/1943	McDonald .	
3,704,889	12/1972	Huffman .	
3,764,136	10/1973	Breslow .	
3,951,408	4/1976	Reiner .	
5,785,313	7/1998	Shiraishi	273/108.1

FOREIGN PATENT DOCUMENTS

92372	3/1905	Canada .
95938	11/1905	Canada .
426946	4/1945	Canada .

Primary Examiner—Dominic Simone
Attorney, Agent, or Firm—Rhodes & Mason, P.L.L.C.

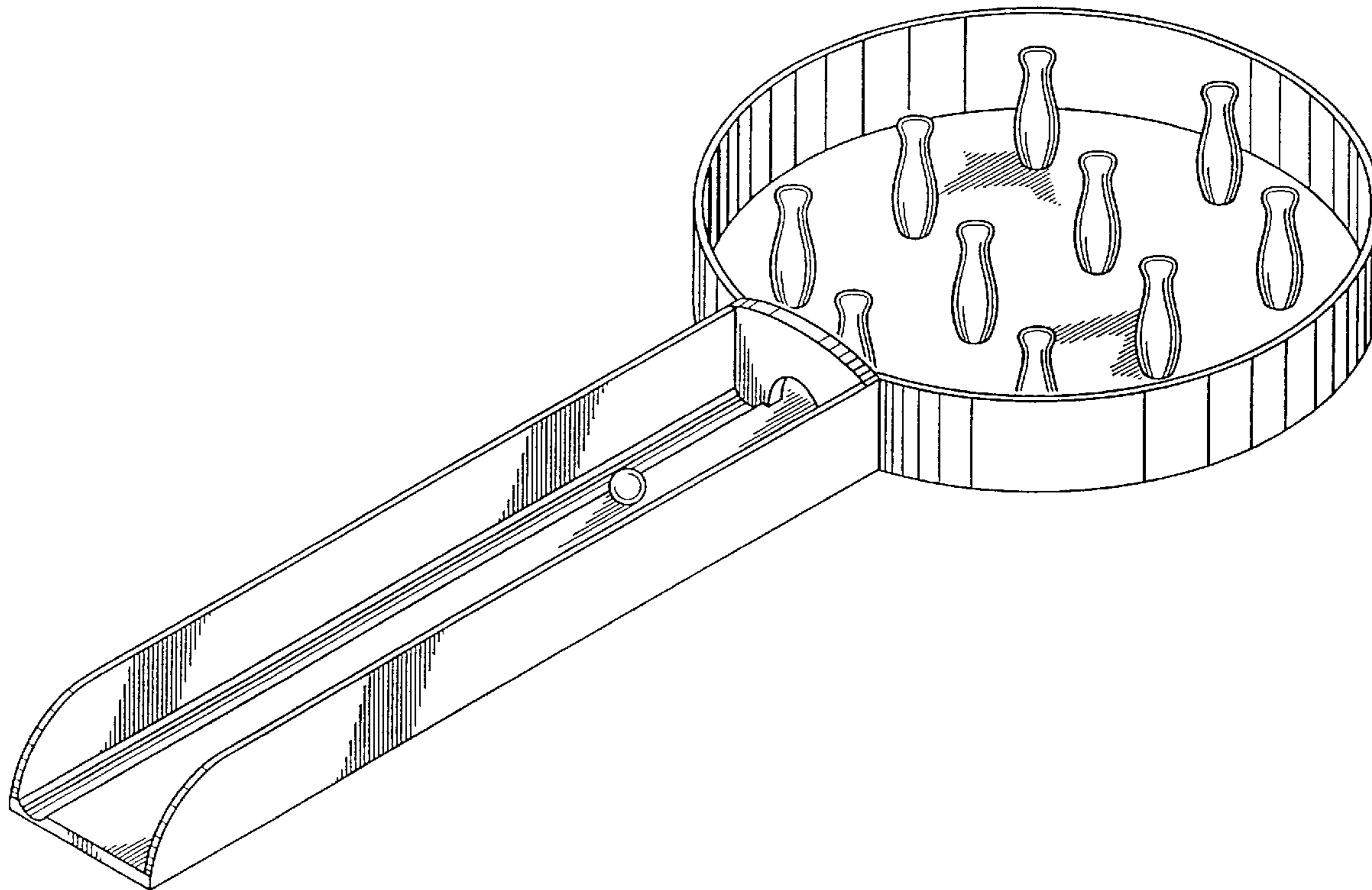
[57] CLAIM

The ornamental design for a “ball and pin game,” as shown and described.

DESCRIPTION

FIG. 1 is a plan view from the top;
FIG. 2 is a plan view from the bottom;
FIG. 3 is a side elevation view from the front;
FIG. 4 is a side elevation view from the rear;
FIG. 5 is a side elevational view from the right;
FIG. 6 is a side elevational view from the left; and,
FIG. 7 is a perspective view of the game.

1 Claim, 3 Drawing Sheets



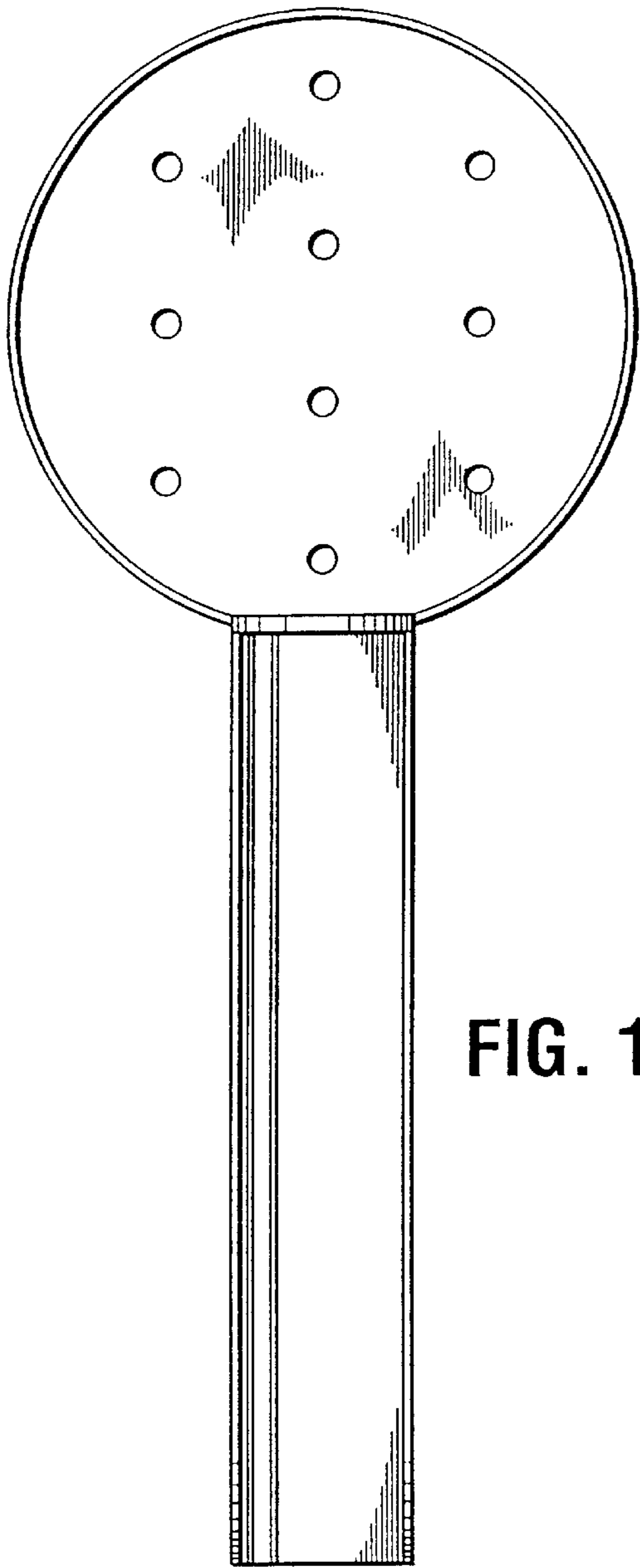


FIG. 1

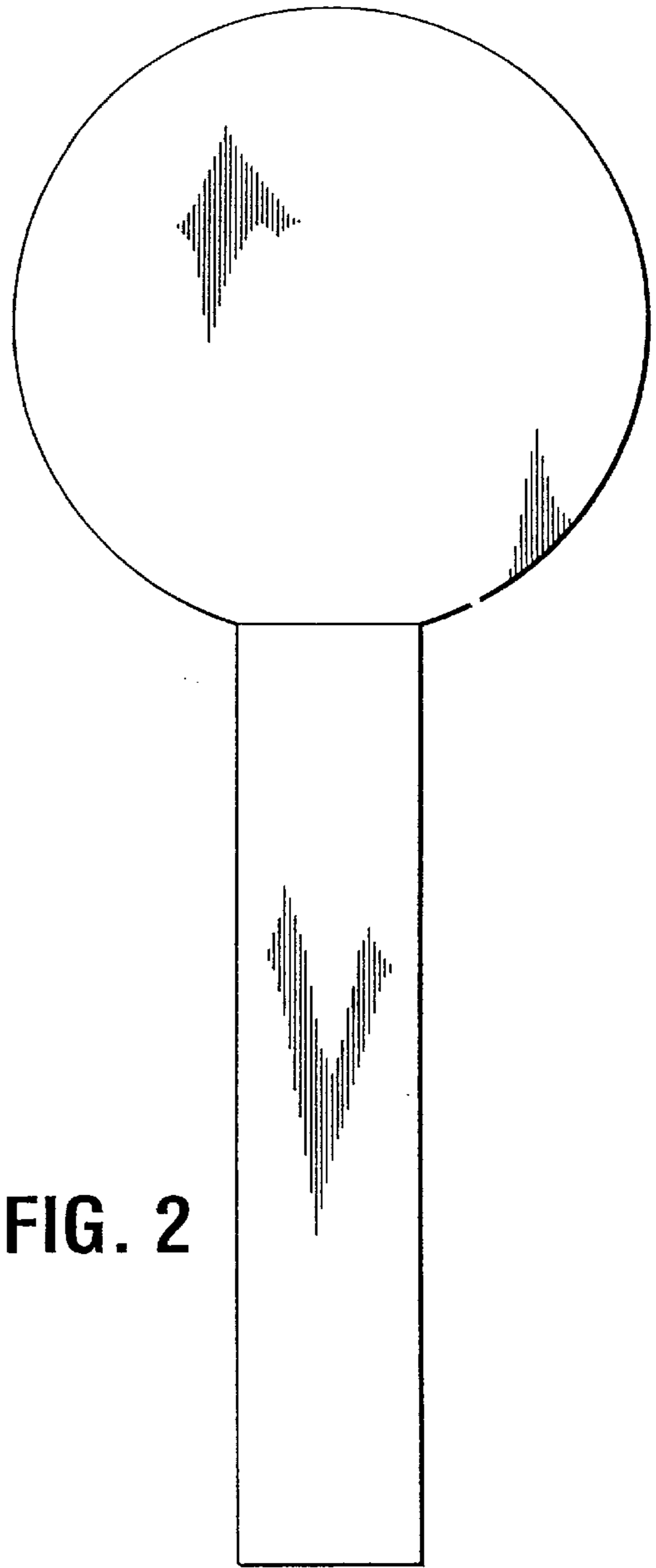


FIG. 2

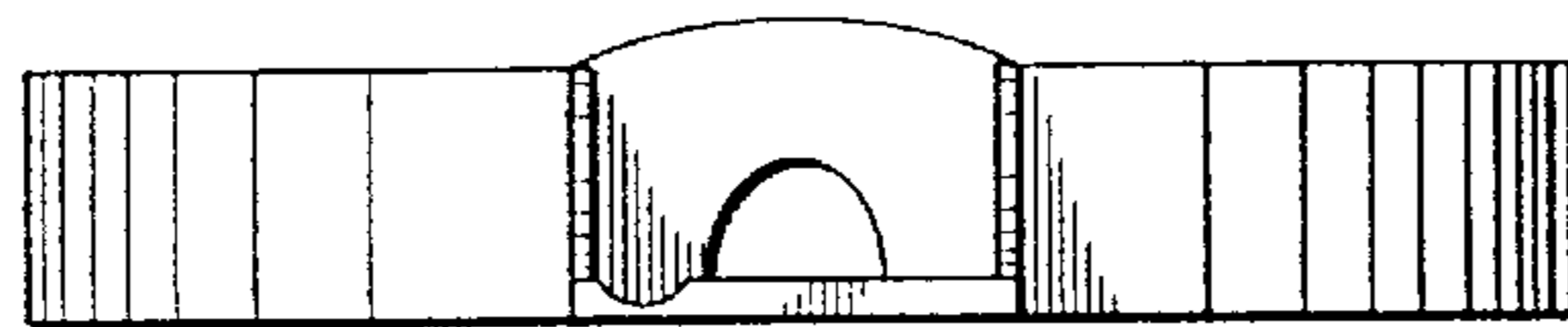


FIG. 3

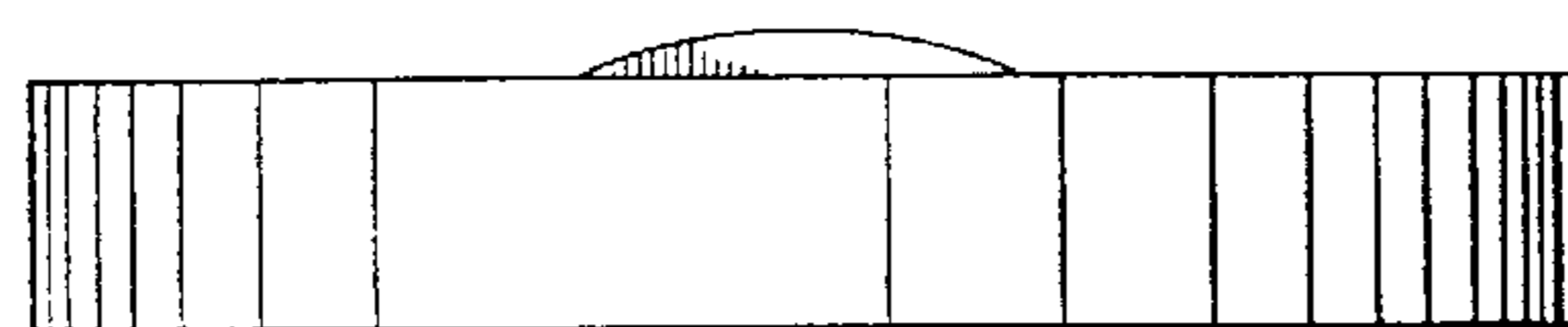


FIG. 4

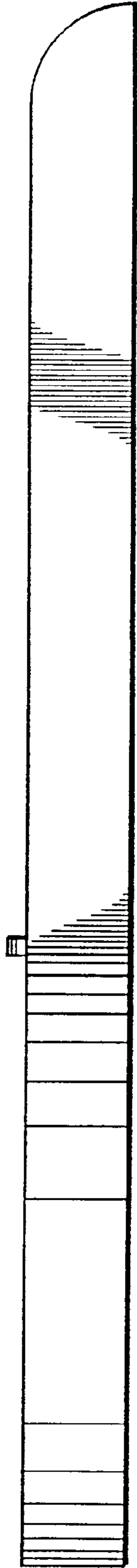


FIG. 5

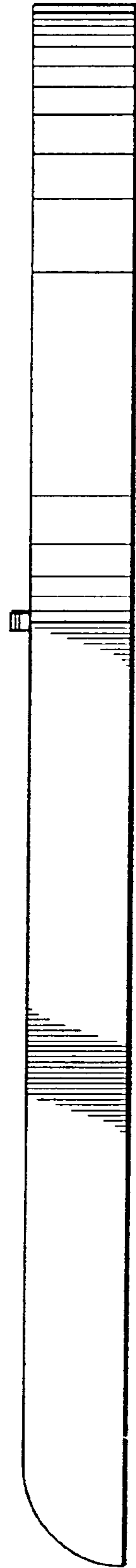


FIG. 6

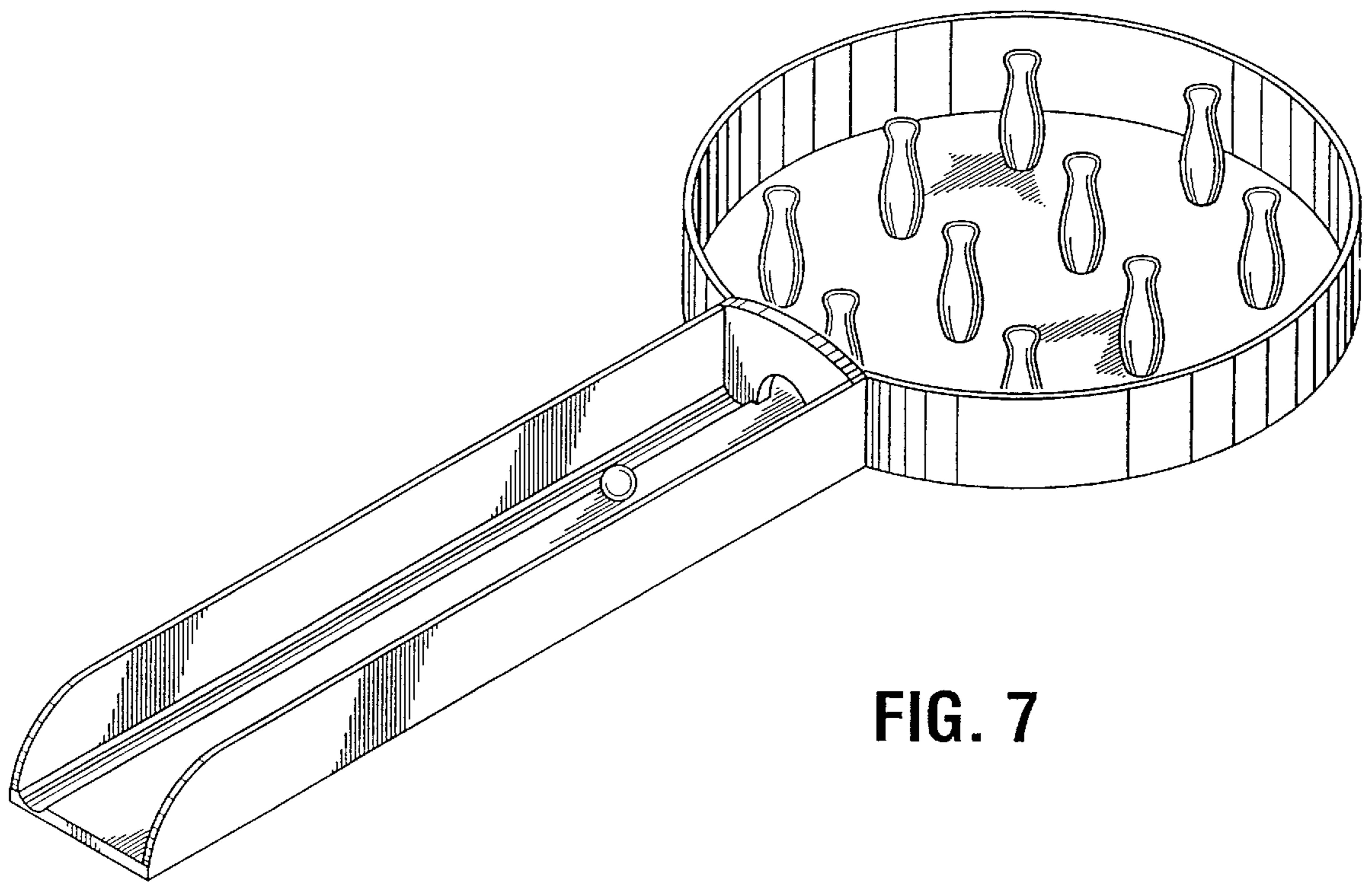


FIG. 7