



US00D415208S

United States Patent [19] Hammar

[11] **Patent Number: Des. 415,208**

[45] **Date of Patent: ** Oct. 12, 1999**

[54] **BASE ELEMENT FOR SIGNS**

[76] Inventor: **Lars Hammar**, Mårtsbovägen 16,
SE-790 21 Bjursås, Sweden

[**] Term: **14 Years**

[21] Appl. No.: **29/077,543**

[22] Filed: **Oct. 3, 1997**

[30] **Foreign Application Priority Data**

Apr. 4, 1997 [SE] Sweden 97-0800

[51] **LOC (6) Cl.** **20-03**

[52] **U.S. Cl.** **D20/44**

[58] **Field of Search** 40/661.03, 642,
40/649, 618, 650; D25/119-125; D20/44,
43, 10

[56] **References Cited**

U.S. PATENT DOCUMENTS

D. 161,748 1/1951 Greiling D20/44

D. 190,361 5/1961 Hopp D20/44
D. 205,008 6/1966 Lee D25/125
D. 263,760 4/1982 Dallaire D25/119
D. 386,531 11/1997 Callas D20/40

Primary Examiner—Susan J. Lucas
Assistant Examiner—Jennifer Rivard
Attorney, Agent, or Firm—Notaro & Michalos P.C.

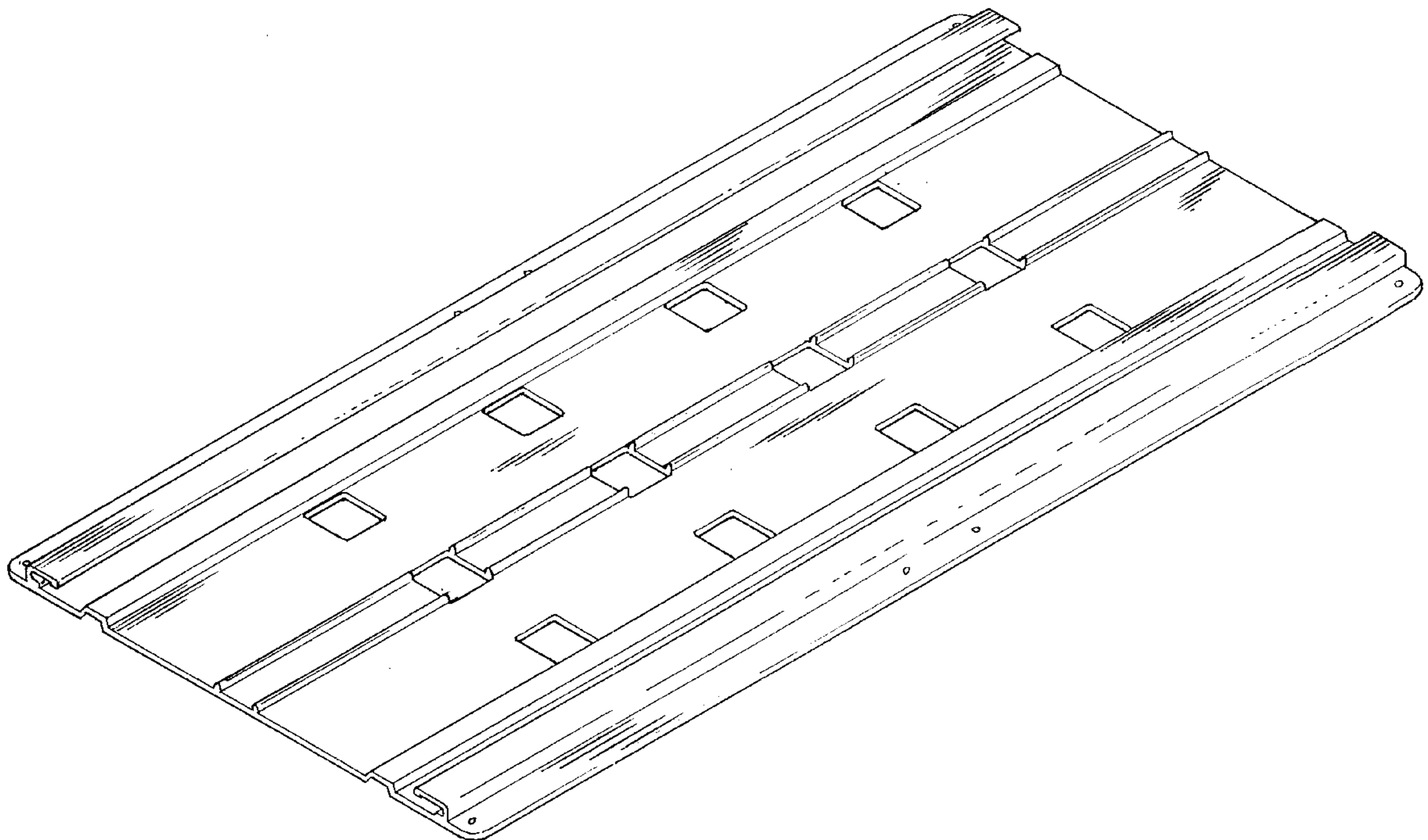
[57] **CLAIM**

The ornamental design for a base element for signs, as shown.

DESCRIPTION

FIG. 1 is a front perspective view of a base element for signs;
FIG. 2 is a rear perspective view thereof;
FIG. 3 is a front elevation view thereof; and,
FIG. 4 is an end elevation view thereof, the opposite end view being a mirror image.

1 Claim, 3 Drawing Sheets



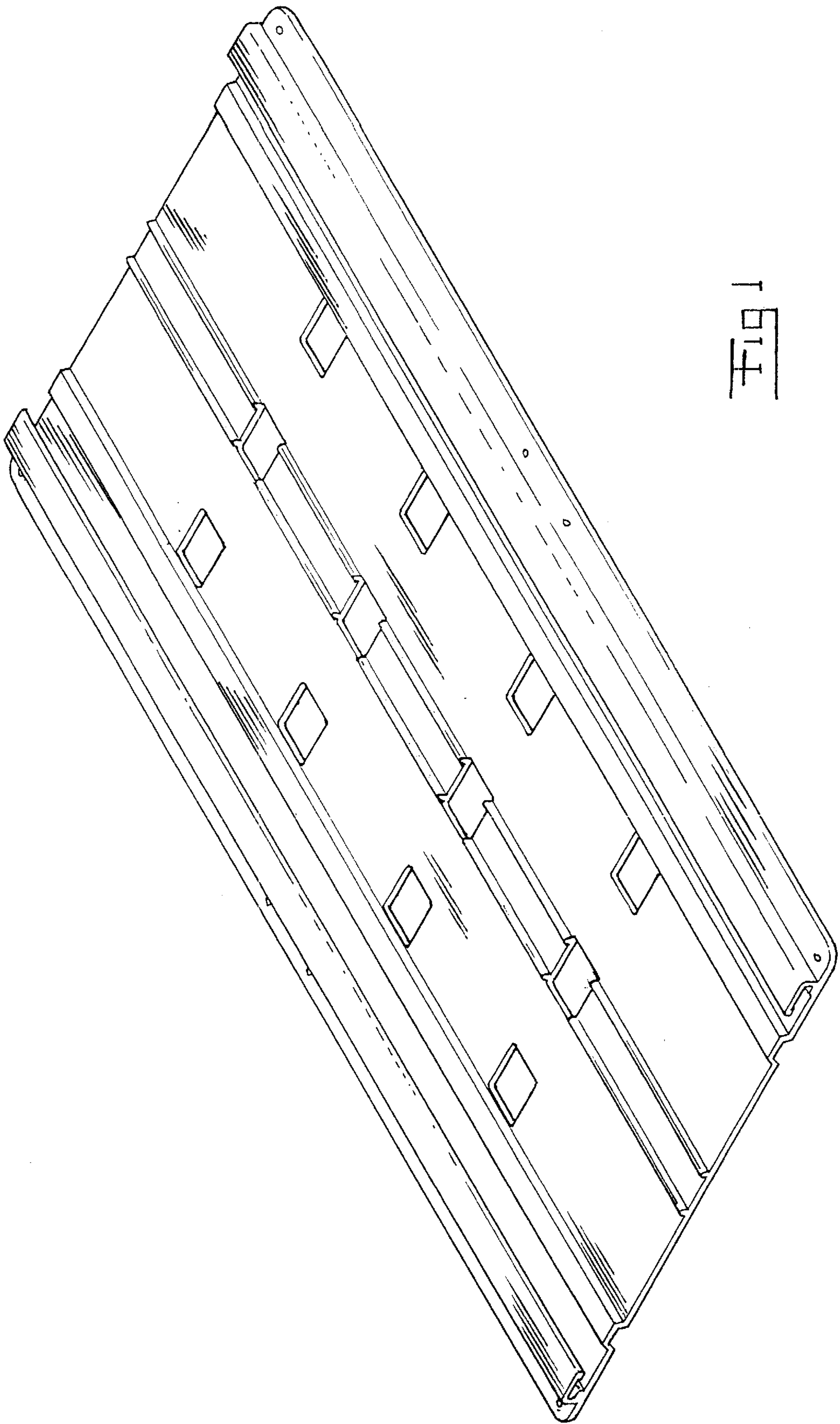


FIG. 1

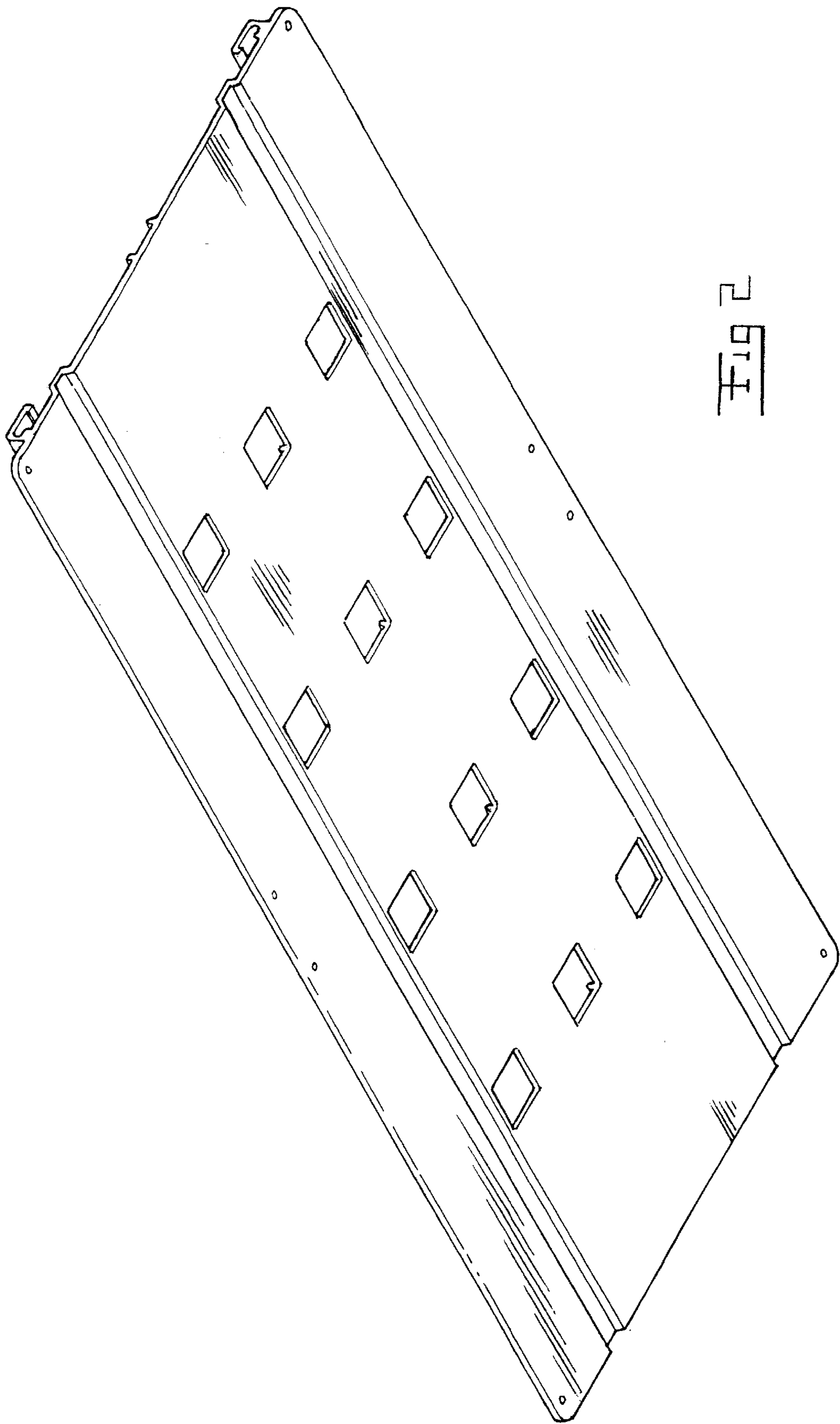
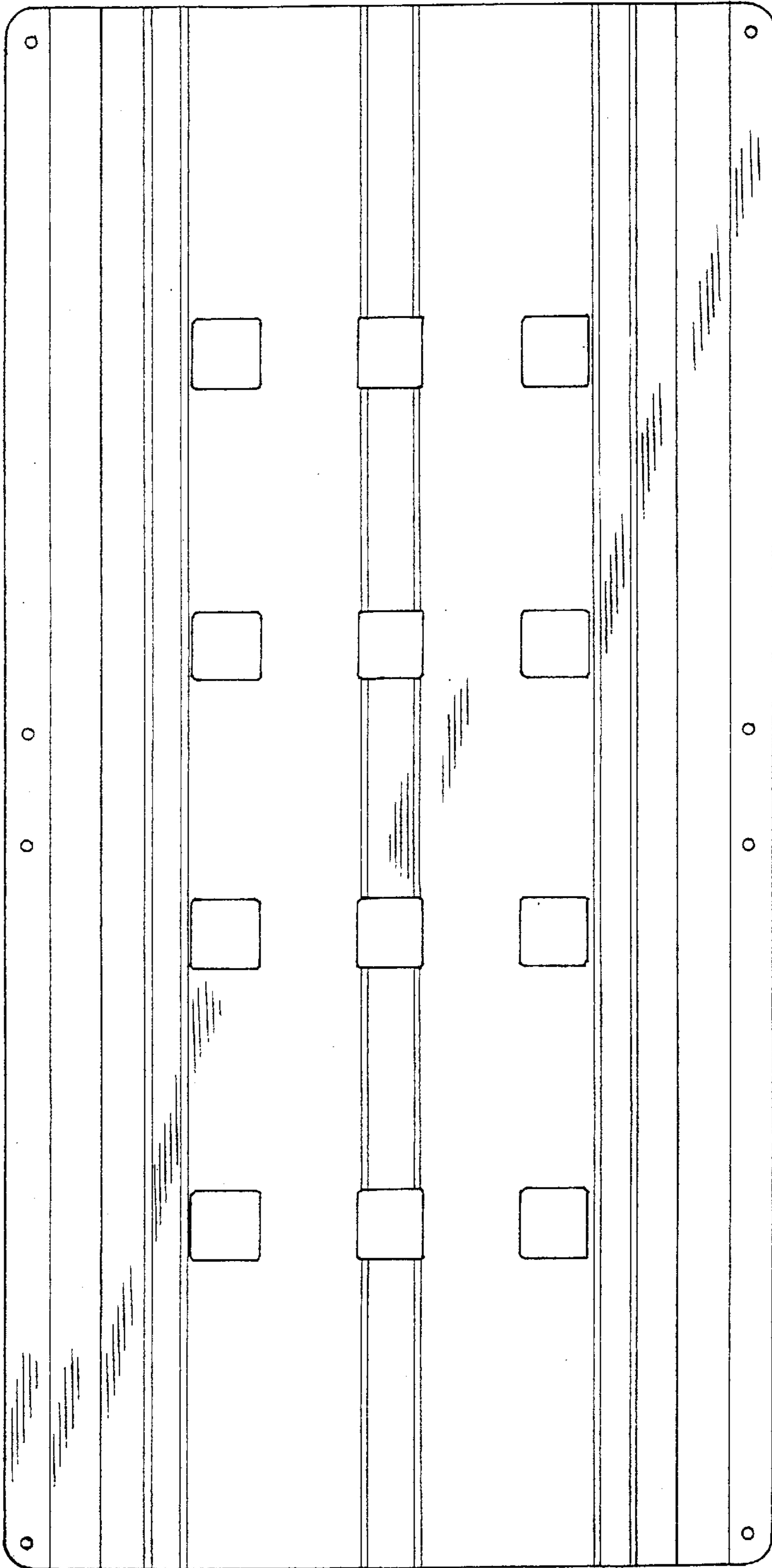


FIG 2



E
G
H



H
G
H