



US00D415207S

United States Patent [19] Voight

[11] Patent Number: Des. 415,207

[45] Date of Patent: ** Oct. 12, 1999

[54] SIGN

[75] Inventor: John K. Voight, Lexington, Ky.

[73] Assignee: Ashland Inc., Lexington, Ky.

[**] Term: 14 Years

[21] Appl. No.: 29/092,964

[22] Filed: Aug. 31, 1998

[51] LOC (6) Cl. 20-02

[52] U.S. Cl. D20/42; D20/10

[58] Field of Search D20/10, 41, 12,
D20/42; 40/612, 584, 606, 541, 549, 552,
551, 553, 572, 616, 538, 540

[56] **References Cited**

U.S. PATENT DOCUMENTS

- D. 394,089 5/1998 Kawasaki et al. D20/10
- D. 395,453 6/1998 Kawasaki et al. D20/10
- D. 395,454 6/1998 Hayashi D20/10

Primary Examiner—Alan P. Douglas
Assistant Examiner—Jennifer Rivard
Attorney, Agent, or Firm—David W. Carrithers; Carrithers Law Office

[57] **CLAIM**

The ornamental design for a sign, as shown and described.

DESCRIPTION

FIG. 1 is a perspective view of a sign in accordance with my design;

FIG. 2 is a right side elevational view, the left side being a mirror image thereof;

FIG. 3 is top plan view thereof;

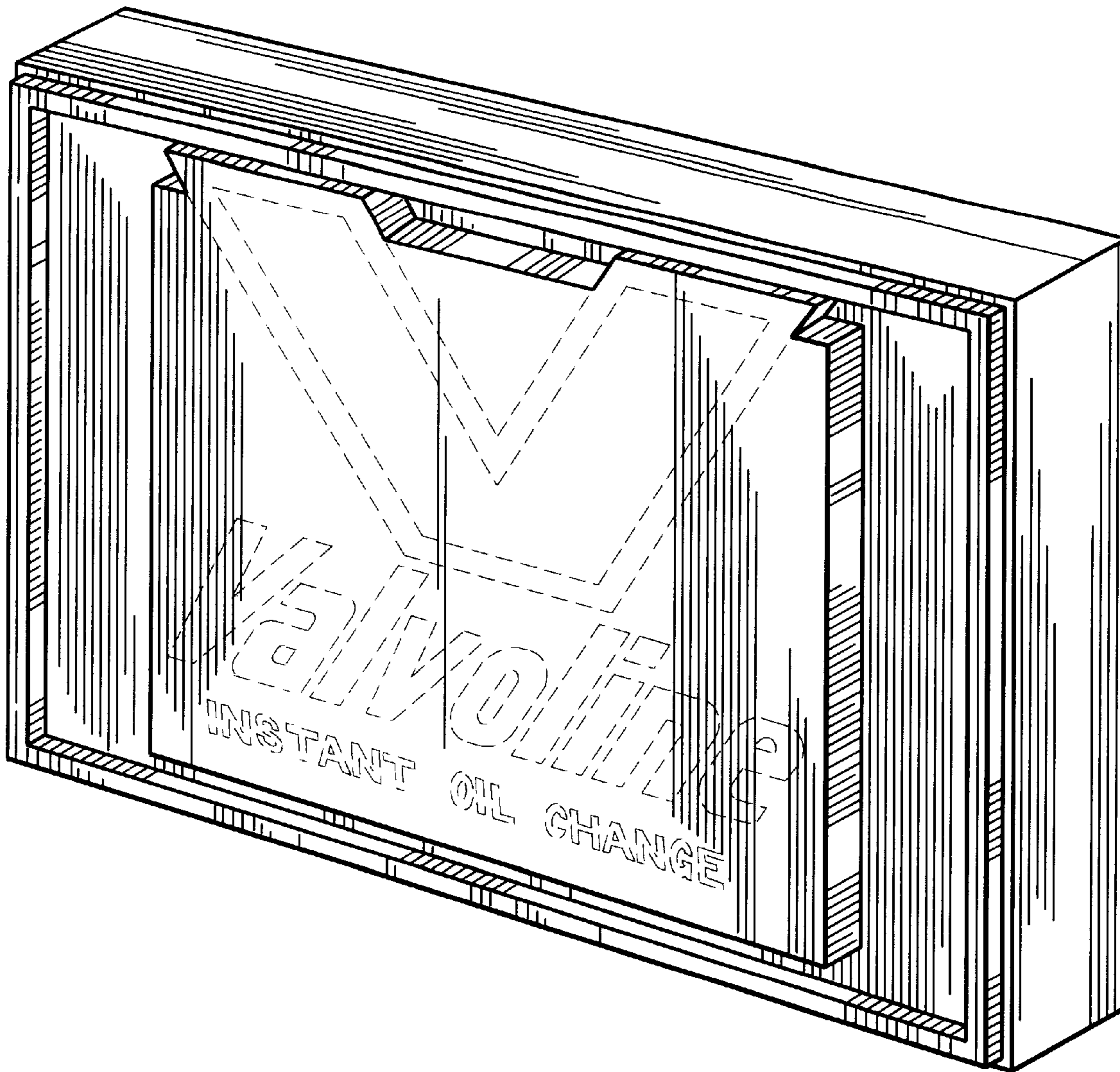
FIG. 4 is a front elevational view thereof; and,

FIG. 5 is a bottom plan view thereof.

The rear surface is flat and unornamented.

The broken lines are shown for illustrative purposes only and form no part of the claimed design.

1 Claim, 2 Drawing Sheets



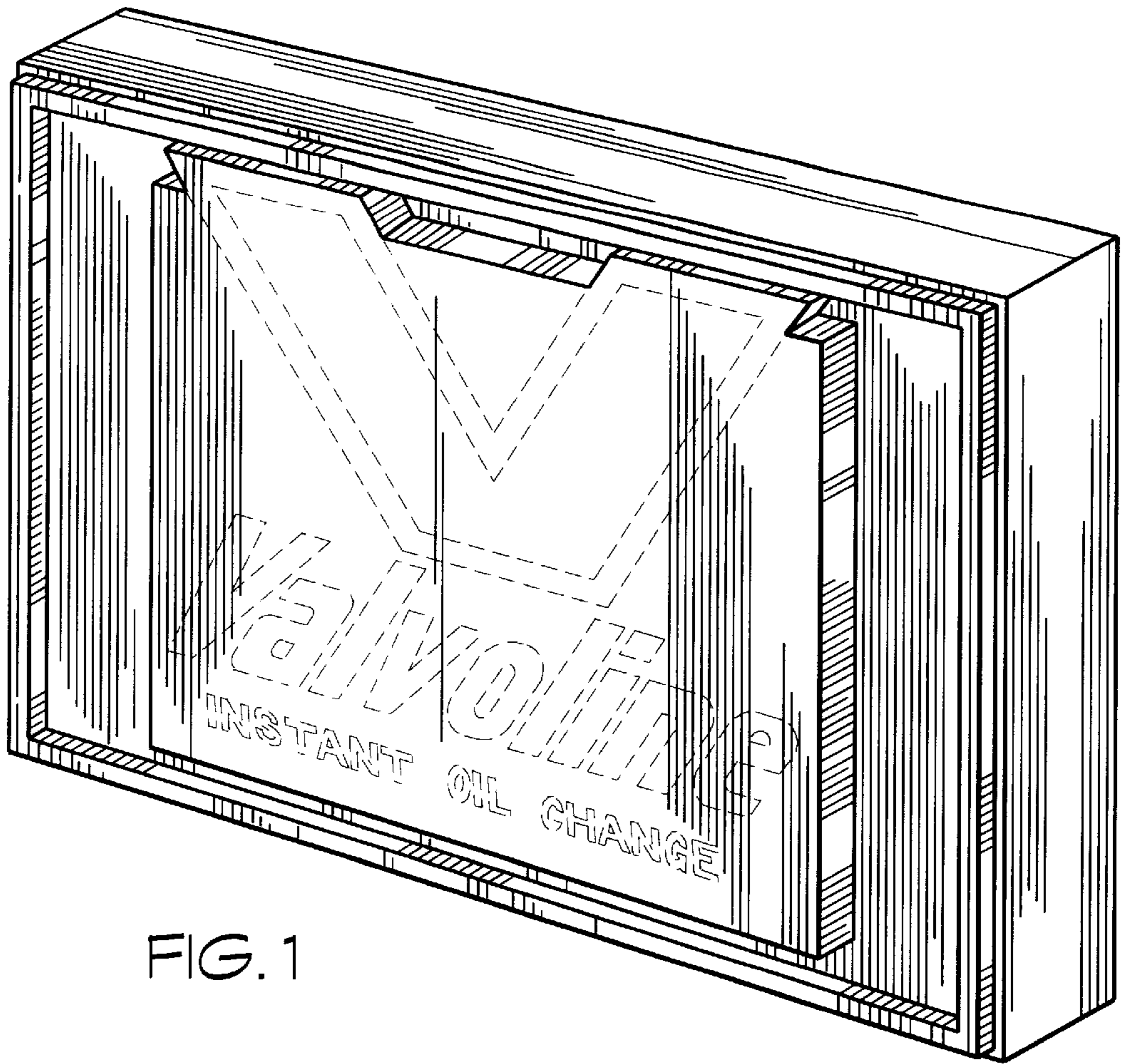


FIG. 1

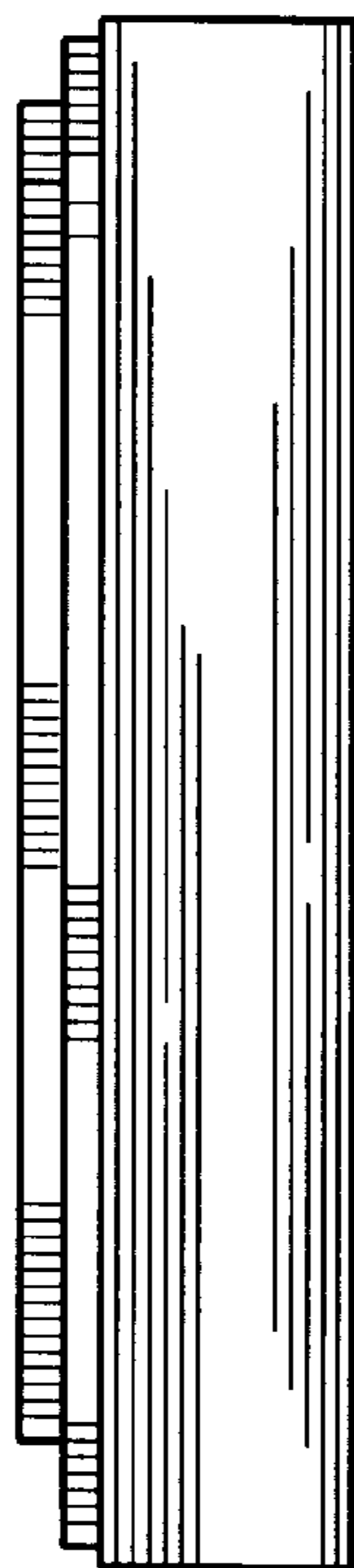


FIG. 2

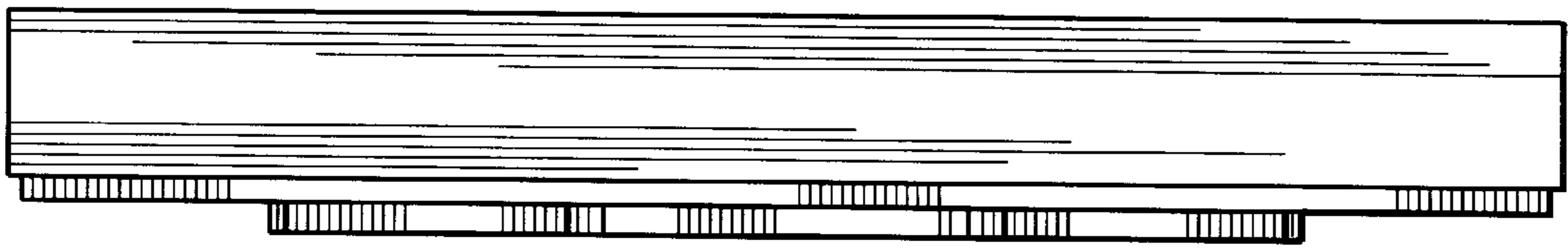


FIG. 3

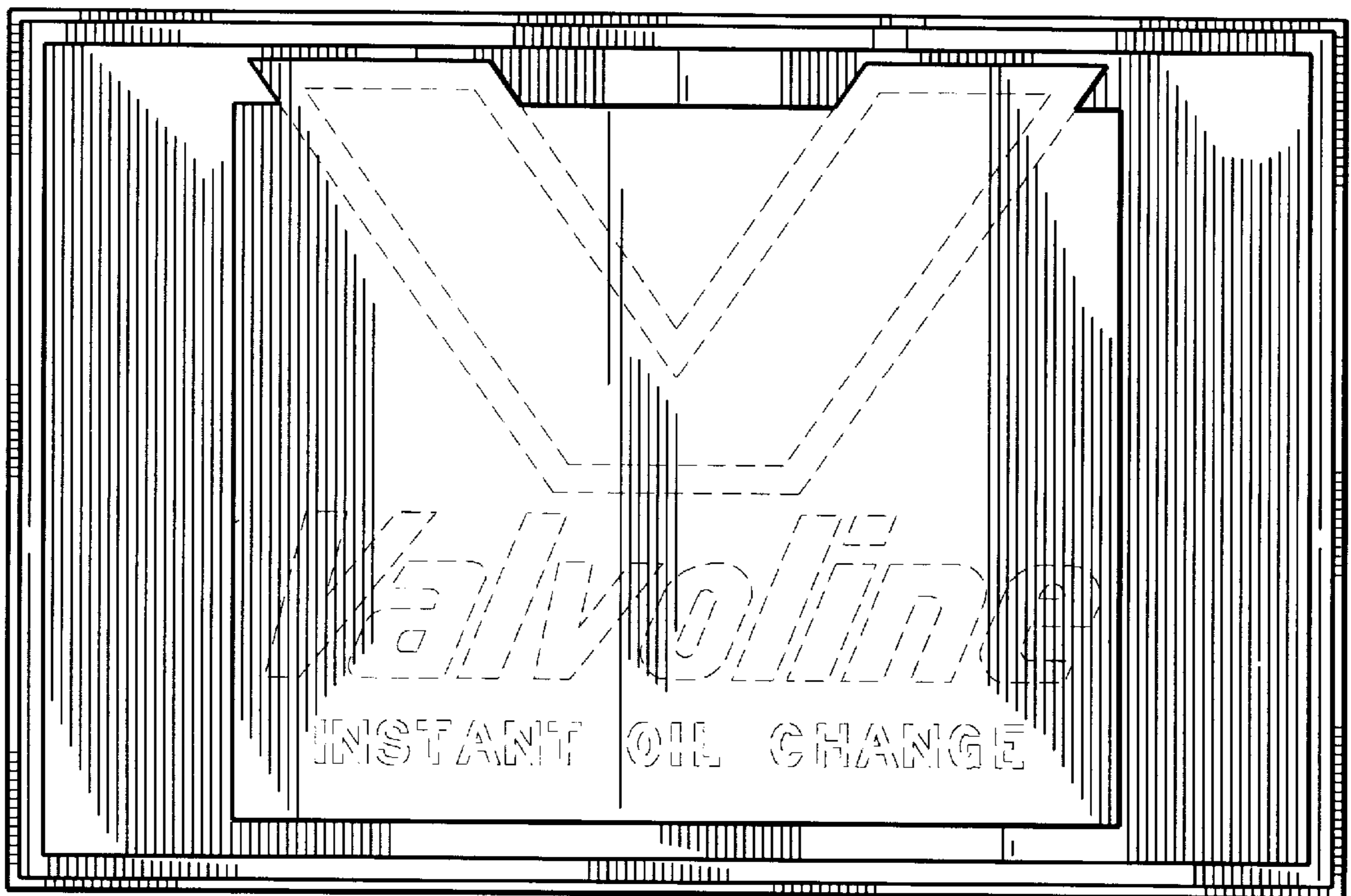


FIG. 4

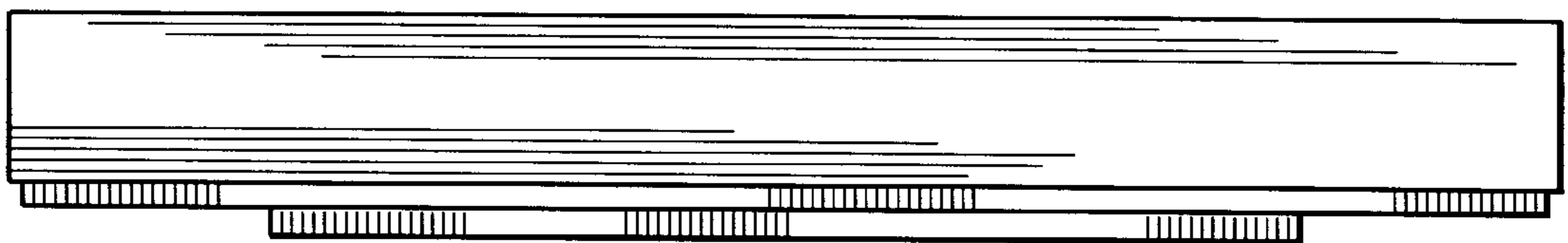


FIG. 5