



US00D415204S

# United States Patent [19] Rand

[11] Patent Number: Des. 415,204

[45] Date of Patent: \*\* Oct. 12, 1999

[54] DESK STAND

[76] Inventor: James M. Rand, 10310 Main St. #  
272, Fairfax, Va. 22030

[\*\*] Term: 14 Years

[21] Appl. No.: 29/077,358

[22] Filed: Sep. 30, 1997

[51] LOC (6) Cl. .... 19-02

[52] U.S. Cl. .... D19/91; D19/90; D19/75;  
D6/419

[58] Field of Search ..... D6/406.3, 419,  
D6/420; D19/52, 65, 75, 78, 86, 88, 90,  
91, 95, 99, 100; 248/441.1, 445, 446, 451,  
454, 174; 211/42, 50; 281/45

[56] **References Cited**

**U.S. PATENT DOCUMENTS**

D. 225,290	12/1972	Tarrey	.....	D6/406.3
D. 239,681	4/1976	Smith	.....	D6/419
D. 281,842	12/1985	Blacklinger	.....	D6/419
D. 296,275	6/1988	Fisher et al.	.....	D6/419
D. 382,904	8/1997	Comeaux et al.	.....	D19/419 X
D. 395,368	6/1998	Adenau et al.	.....	D6/419 X
621,357	3/1899	Mayo	.	
1,260,201	3/1918	Johnston	.	
1,343,527	6/1920	Stoelzel	.	
1,531,540	3/1925	Calero	.	

1,708,026	4/1929	Nixon	.	
3,952,989	4/1979	Bannister Hatcher	.	
4,078,757	3/1978	Waters	.	
4,162,055	7/1979	Summers	.	
4,591,047	5/1986	March	.....	248/174 X
4,726,556	2/1988	Weir	.	
4,790,506	12/1988	Malinowski et al.	.	
5,080,315	1/1992	Tucker-Schafer	.	
5,273,247	12/1993	Jan	.	

Primary Examiner—Martie K. Holtje  
Attorney, Agent, or Firm—J. Michael Martinez de Andino;  
McGuire, Woods, Battle & Boothe LLP

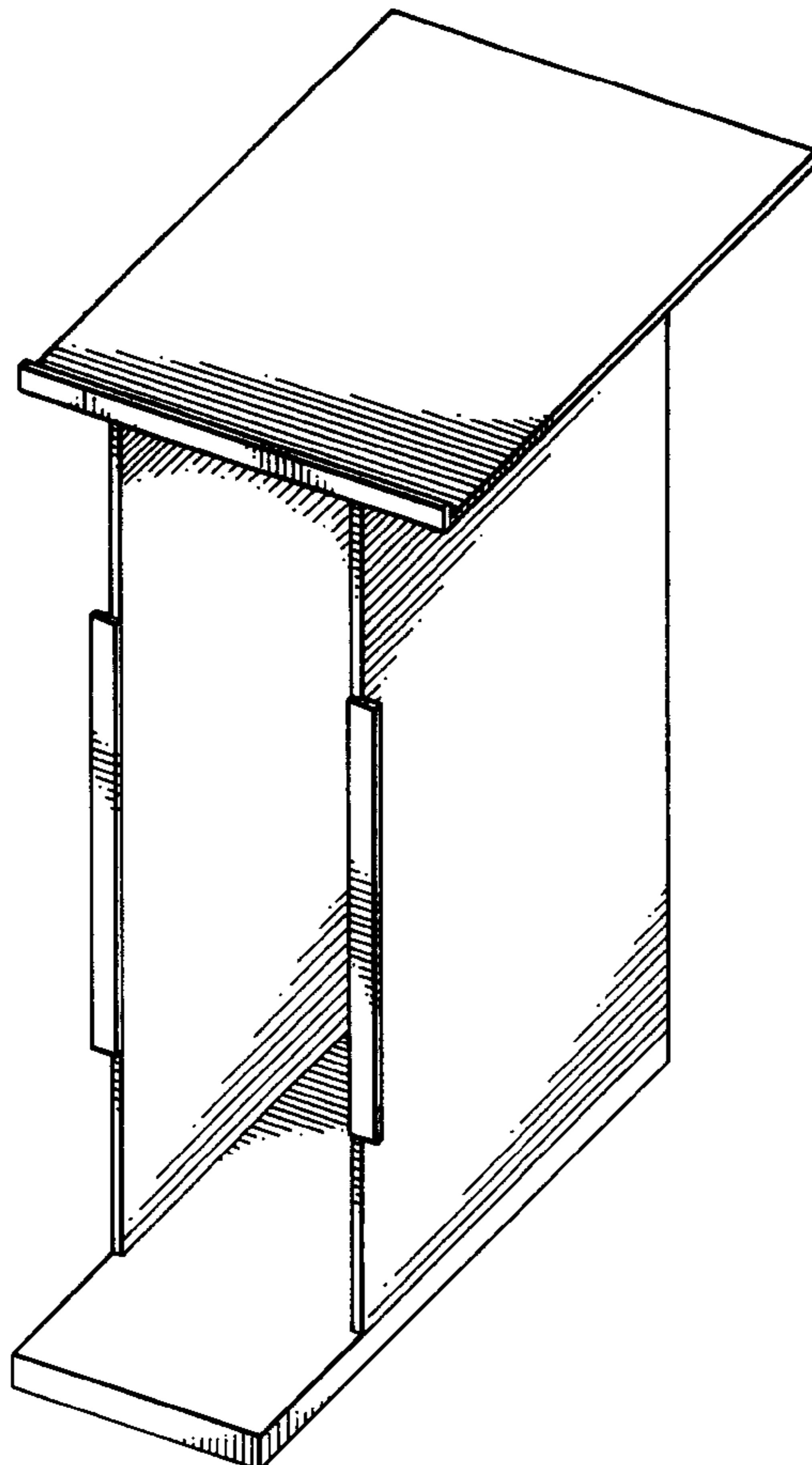
[57] **CLAIM**

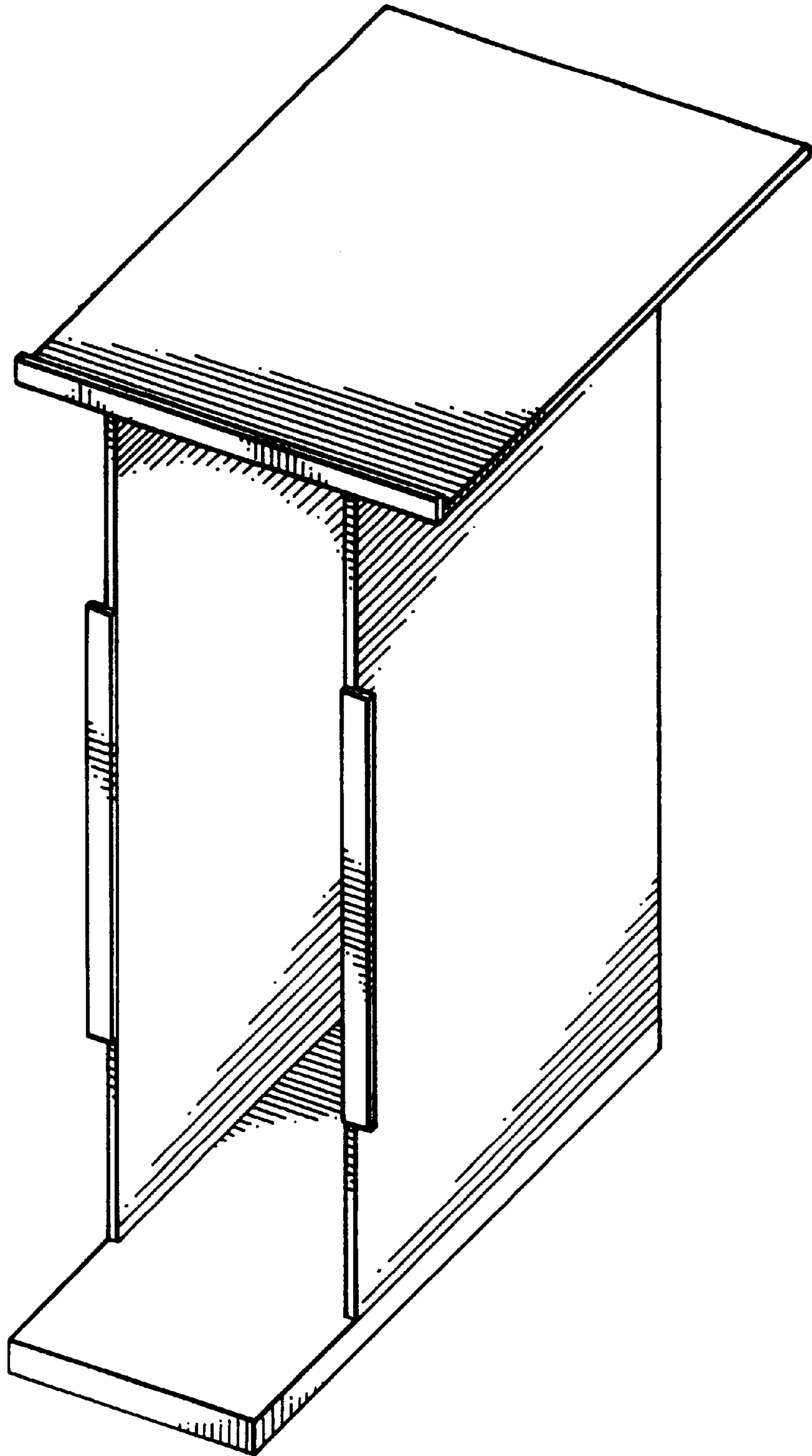
The ornamental design for a desk stand, as shown and described.

**DESCRIPTION**

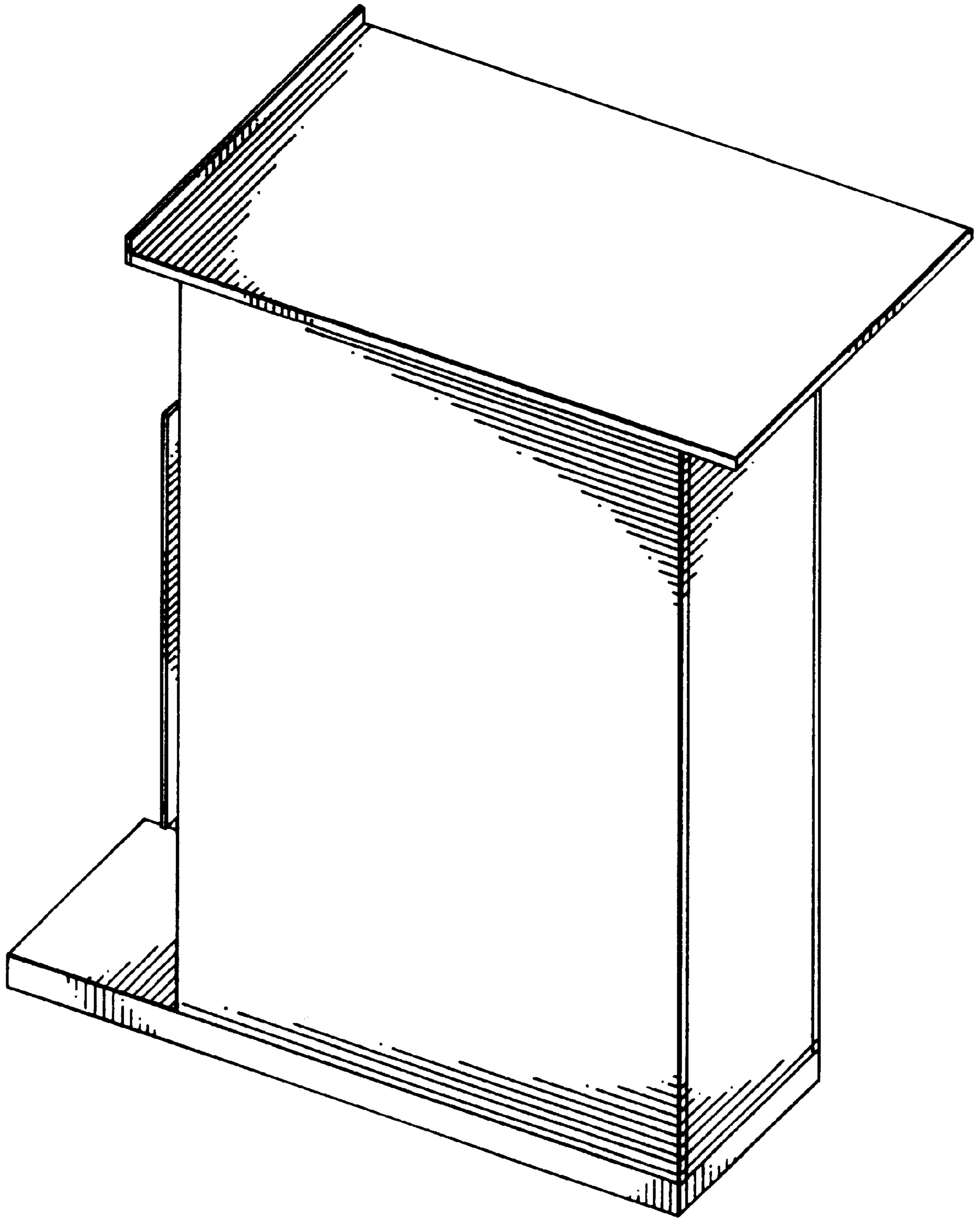
FIG. 1 is a perspective view, taken from the top front, right side of the desk stand;  
FIG. 2 is a perspective view, taken from the top back, left side of the desk stand;  
FIG. 3 is a bottom plan view of the desk stand;  
FIG. 4 is a top plan view of a desk stand;  
FIG. 5 is a side elevational view of the desk stand; and,  
FIG. 6 is a side elevational view of an alternate embodiment of a desk stand having an inclined top surface.

**1 Claim, 6 Drawing Sheets**

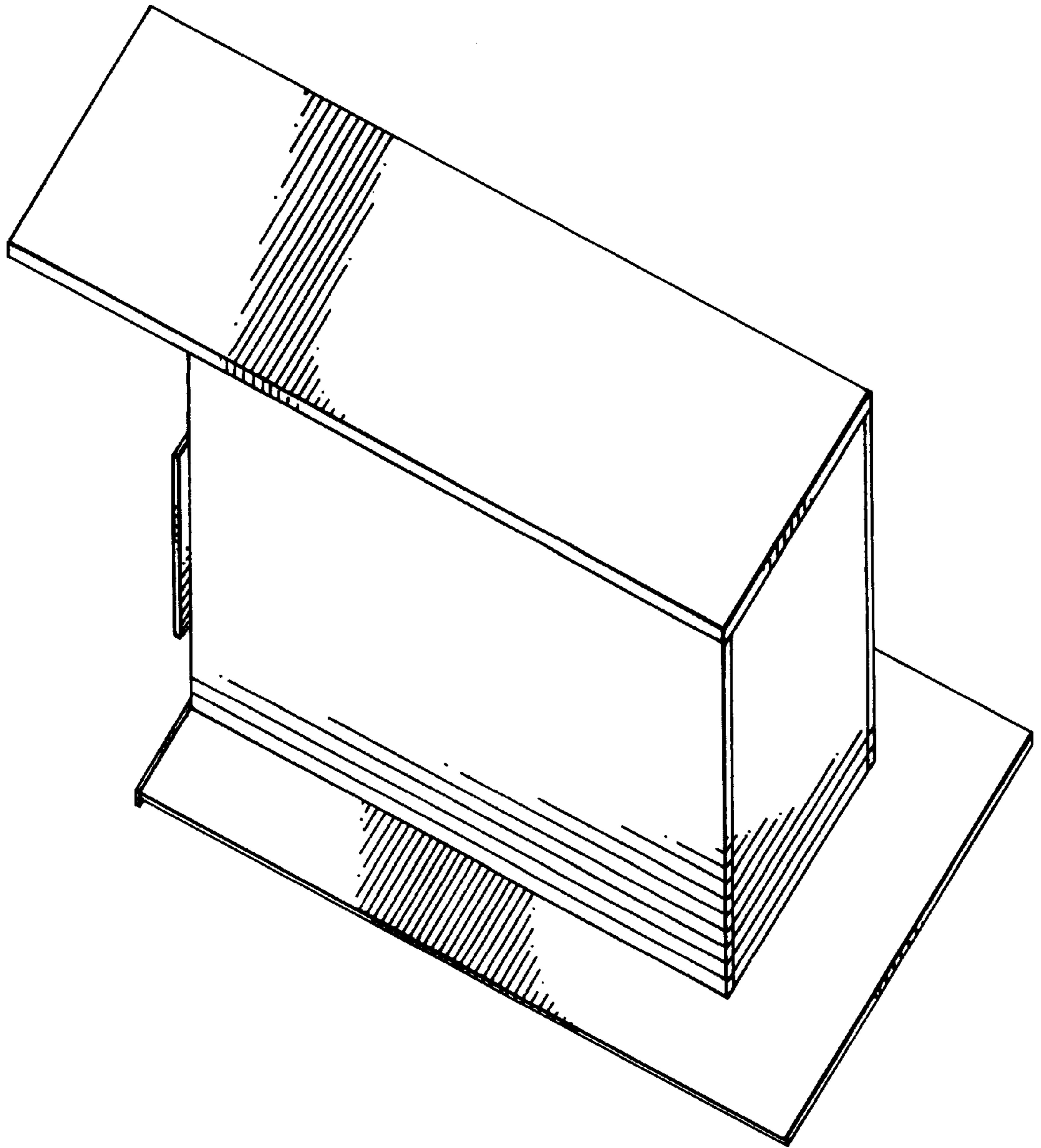




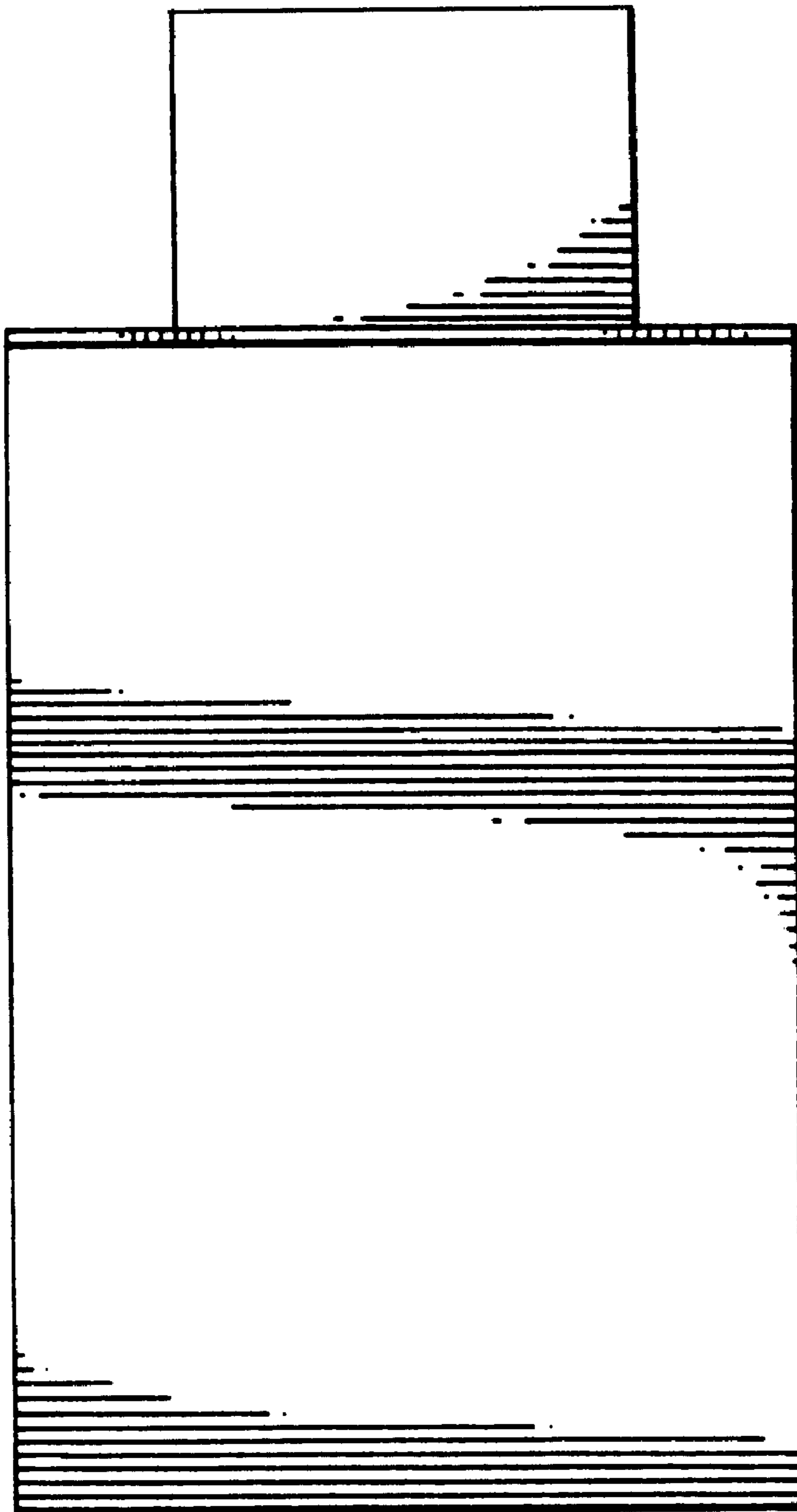
**FIG. 1**



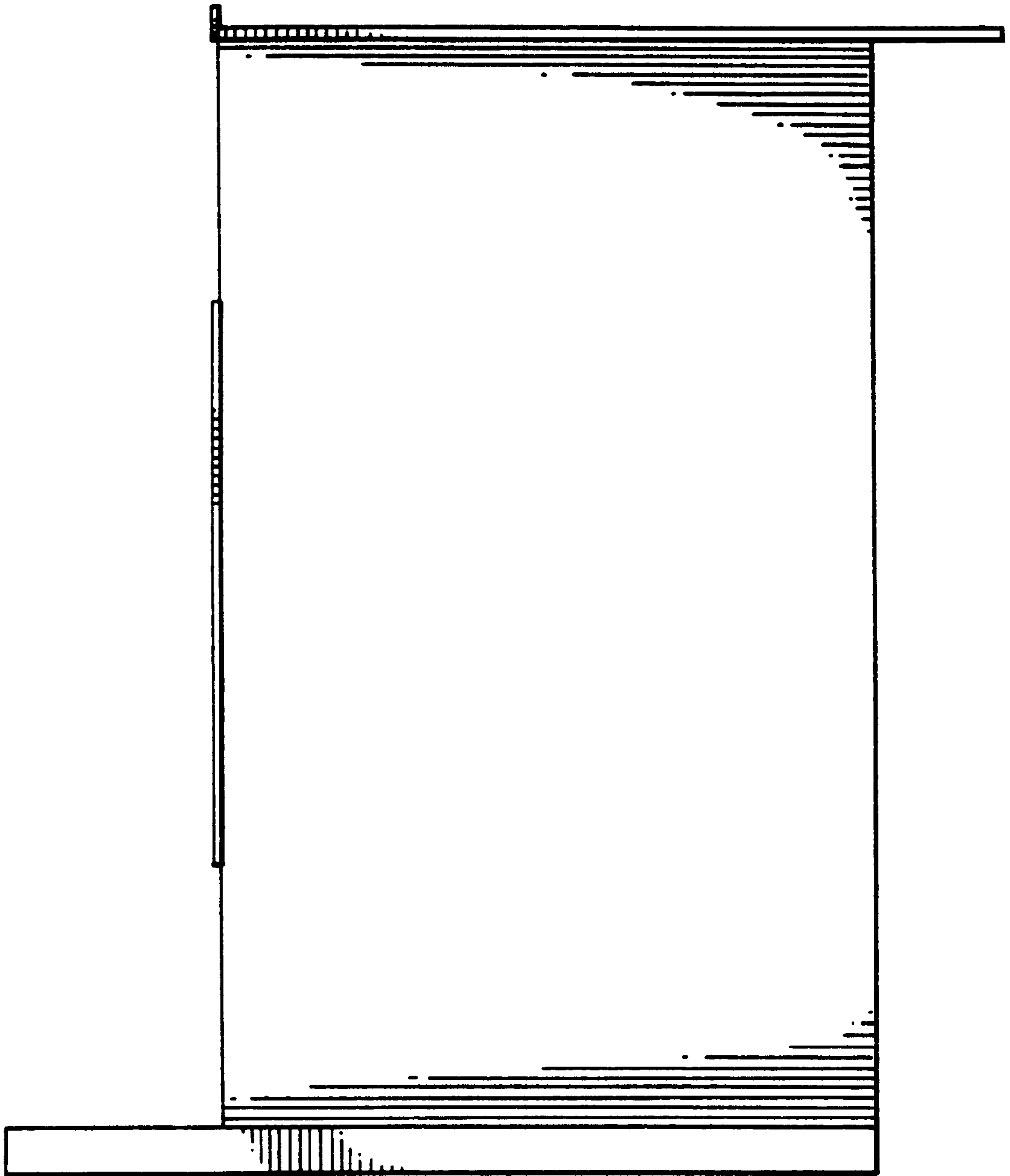
**FIG. 2**



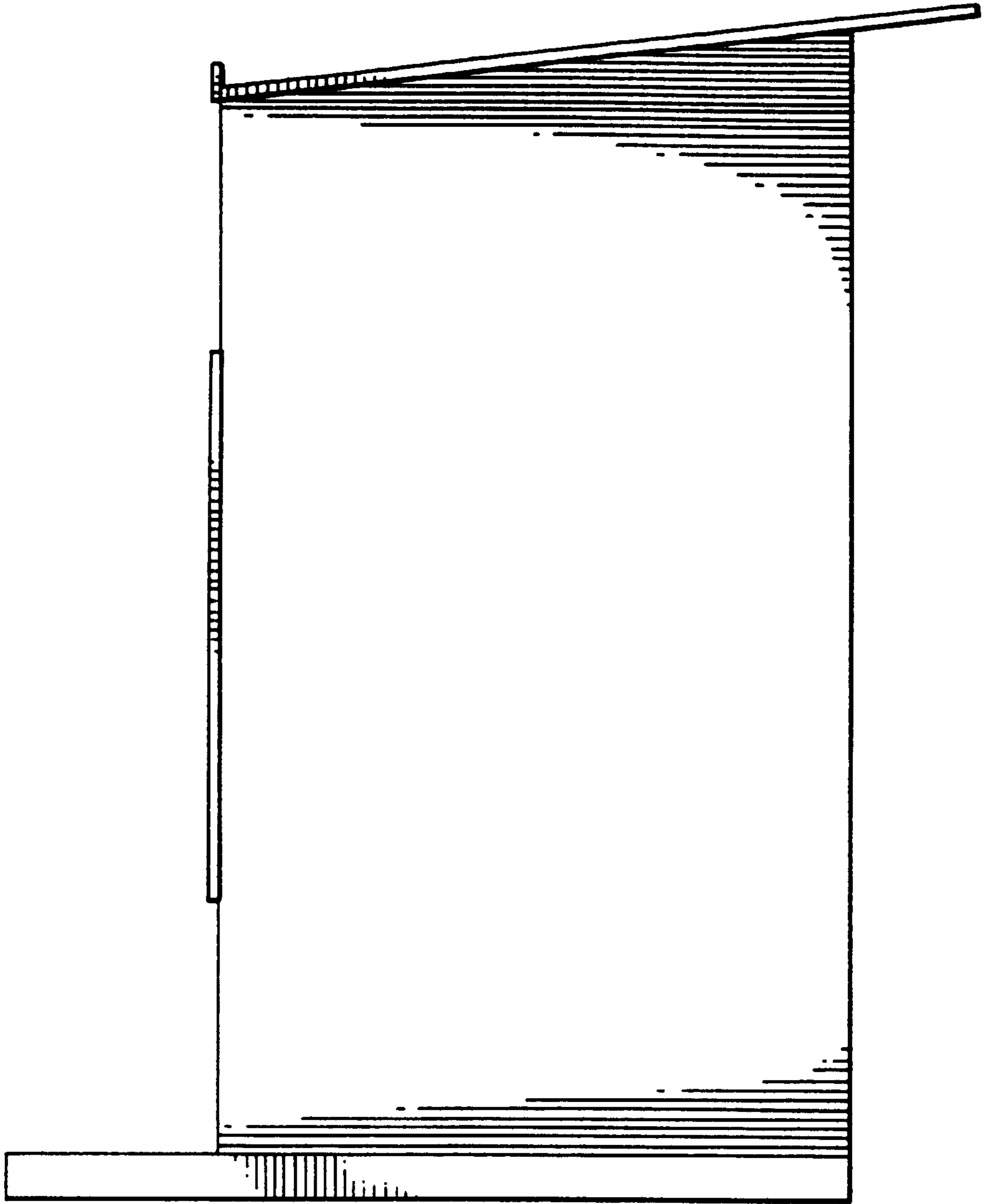
**FIG. 3**



**FIG. 4**



**FIG. 5**



**FIG. 6**