



US00D415203S

United States Patent [19]
Sherman

[11] **Patent Number: Des. 415,203**

[45] **Date of Patent: ** Oct. 12, 1999**

[54] **PRESCRIPTION ORDER HOLDER**

[76] Inventor: **Stanley Sherman**, 4608 Westridge Pl.,
Camp Springs, Md. 20348

[**] Term: **14 Years**

[21] Appl. No.: **29/068,846**

[22] Filed: **Apr. 1, 1997**

[51] **LOC (6) Cl.** **19-02**

[52] **U.S. Cl.** **D19/90; D19/92; D6/467**

[58] **Field of Search** D19/65, 75, 78,
D19/86, 90, 91, 92, 95, 99, 100; D6/449,
466, 467, 473, 475, 510, 511, 582, 407,
596; 211/10, 11, 13.1, 41.1, 44, 45, 50,
51, 55, 126.1, 126.13

[56] **References Cited**

U.S. PATENT DOCUMENTS

- D. 207,823 5/1967 Eskew D19/467 X
- D. 213,737 4/1969 Kohles D19/90

- 242,120 5/1881 Eastman 211/13.1 X
- D. 251,254 3/1979 Tiedemann D19/90
- D. 310,460 9/1990 Vergnano D6/596 X
- D. 313,047 12/1990 Evenson D19/99
- D. 337,619 7/1993 Evenson D19/99
- D. 365,368 12/1995 Stoddard D19/90 X
- D. 401,451 11/1998 Sherman D6/467
- 1,725,702 8/1929 Cubberley 211/184
- 2,620,928 12/1952 Brooks 211/41.2

Primary Examiner—Martie K. Holtje

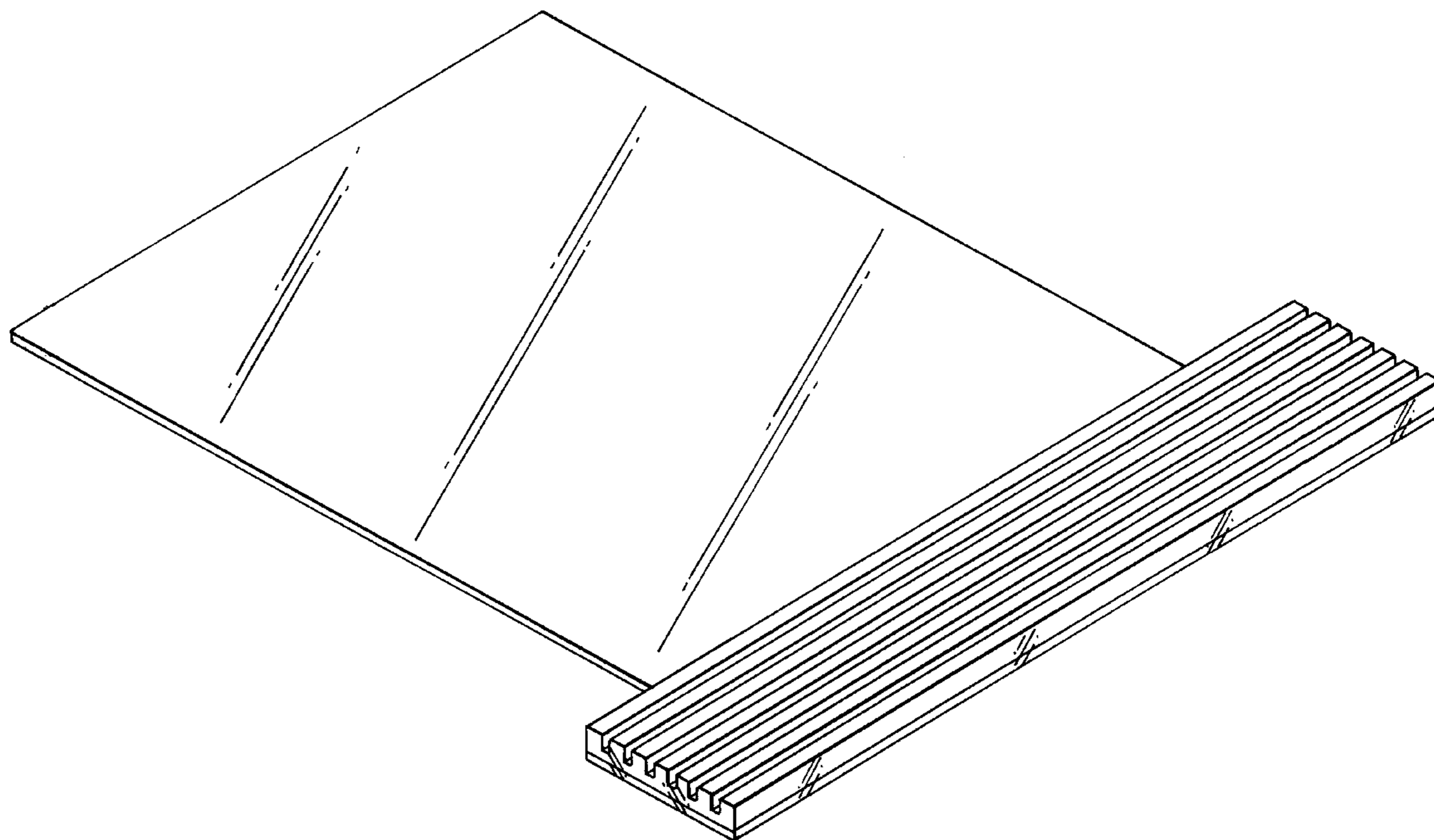
[57] **CLAIM**

The ornamental design for a prescription order holder, as shown and described.

DESCRIPTION

FIG. 1 is a perspective view of a prescription order holder showing my new design; FIG. 2 is a top plan view thereof; and, FIG. 3 is a side elevational view, the opposite side being a mirror image thereof.

1 Claim, 2 Drawing Sheets



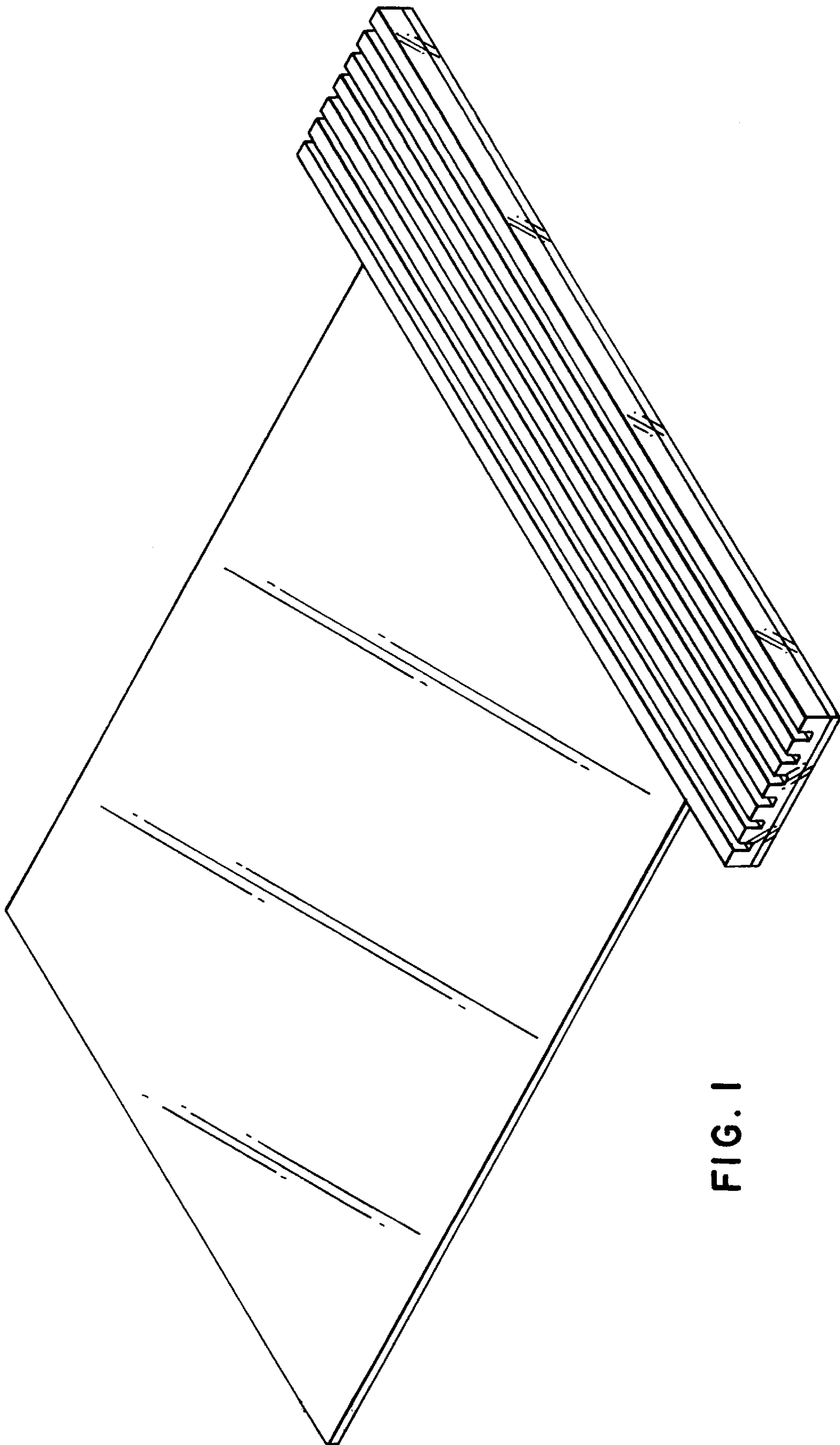


FIG. 1

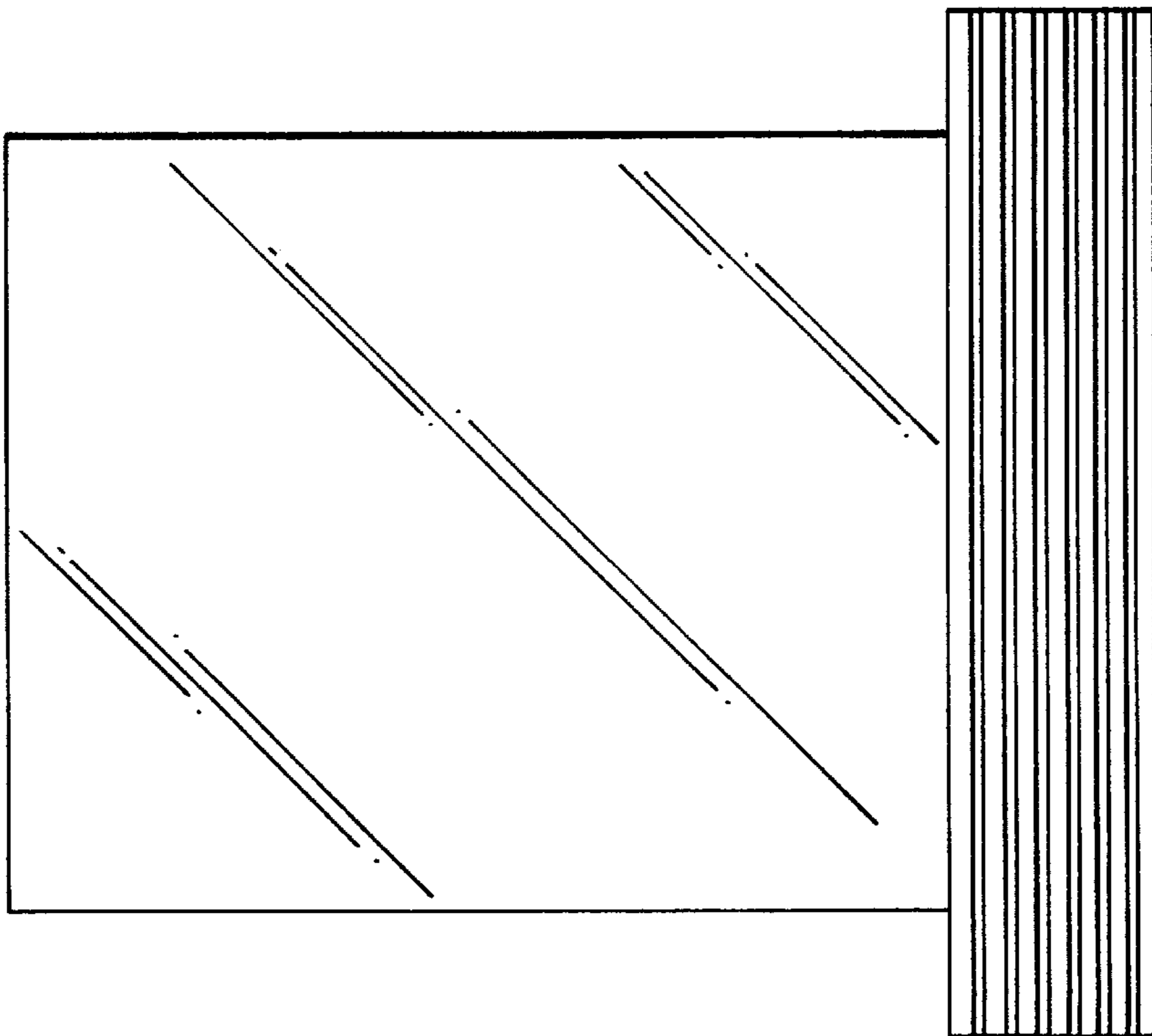


FIG. 2

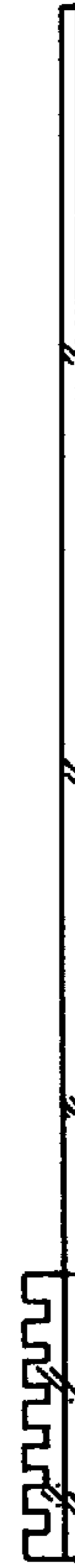


FIG. 3