



US00D415202S

United States Patent [19]
Sherman

[11] **Patent Number: Des. 415,202**

[45] **Date of Patent: ** Oct. 12, 1999**

[54] **DOCUMENT CLIP ATTACHMENT**

[75] Inventor: **Roger N. Sherman**, Jamaica Plain, Mass.

[73] Assignee: **Tensor Corporation**, Chelsea, Mass.

[**] Term: **14 Years**

[21] Appl. No.: **29/095,310**

[22] Filed: **Oct. 20, 1998**

[51] **LOC (6) Cl.** **19-02**

[52] **U.S. Cl.** **D19/88; D19/65; D19/90; D19/91**

[58] **Field of Search** D8/395; D19/65, D19/86, 75, 78, 88, 90, 91, 99, 100; 248/441.1, 442.2, 451, 444.1, 452, 447.1, 447.2, 448, 450, 460; 40/341

[56] **References Cited**

U.S. PATENT DOCUMENTS

D. 301,044 5/1989 Judd D19/88

D. 392,679 3/1998 Crist et al. D19/90 X
4,902,078 2/1990 Judd 248/442.2 X
5,104,088 4/1992 Bakanowsky, III 248/442.2 X
5,526,180 6/1996 Rausnitz 248/442.2 X
5,697,594 12/1997 Adams et al. 248/444.1 X

Primary Examiner—Martie K. Holtje
Attorney, Agent, or Firm—John L. Welch, Esq.

[57] **CLAIM**

The ornamental design for a document clip attachment, as shown and described.

DESCRIPTION

FIG. 1 is a top plan view of the document clip attachment according to my new design.

FIG. 2 is a bottom plan view thereof.

FIG. 3 is a rear elevational view thereof.

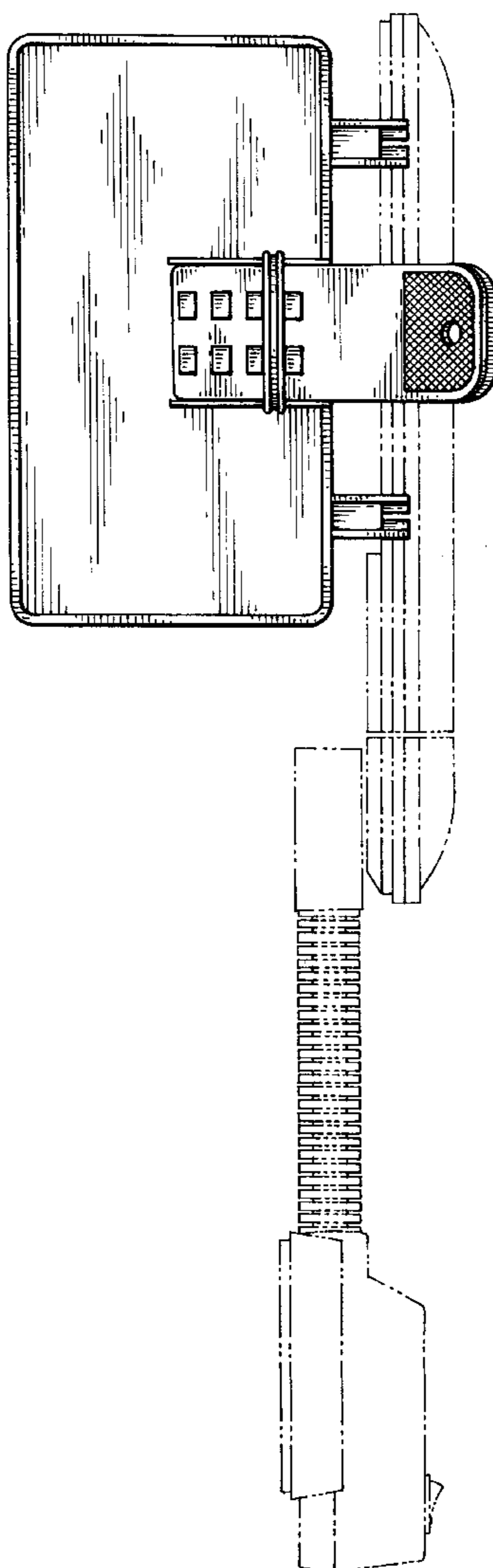
FIG. 4 is a front side elevational view thereof.

FIG. 5 is a right side elevational view thereof; and,

FIG. 6 is a left side elevational view thereof.

The broken line drawing of a lamp is for illustrative purposes only and does not form a part of the claimed design.

1 Claim, 3 Drawing Sheets



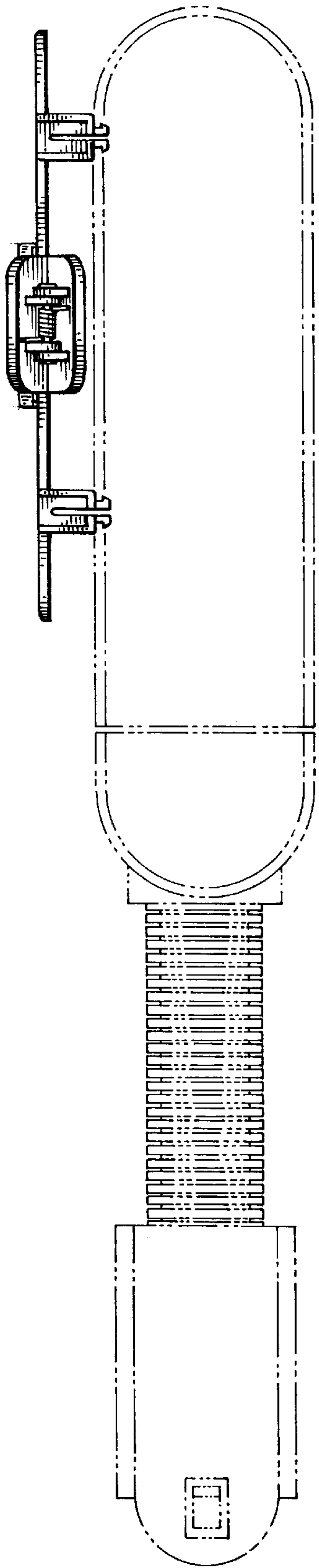


FIG. 1

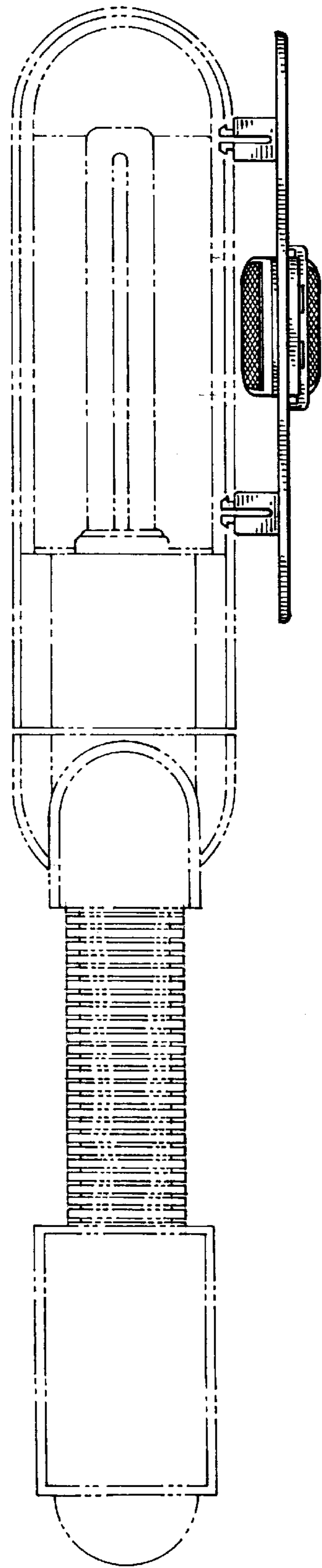


FIG. 2

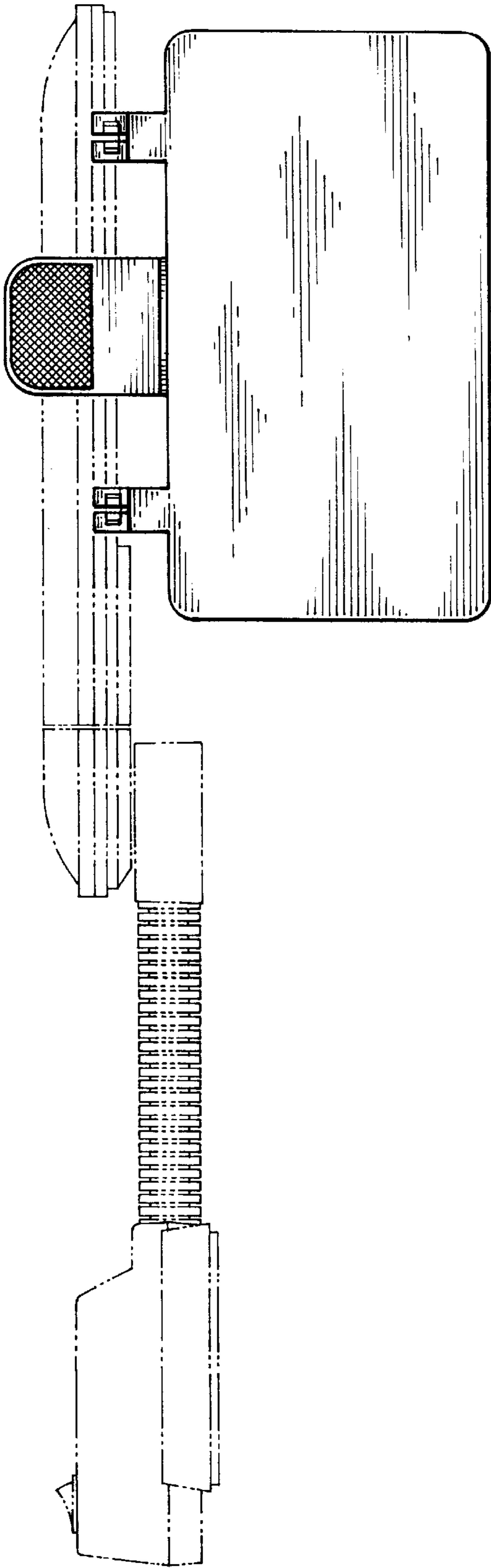


FIG. 3

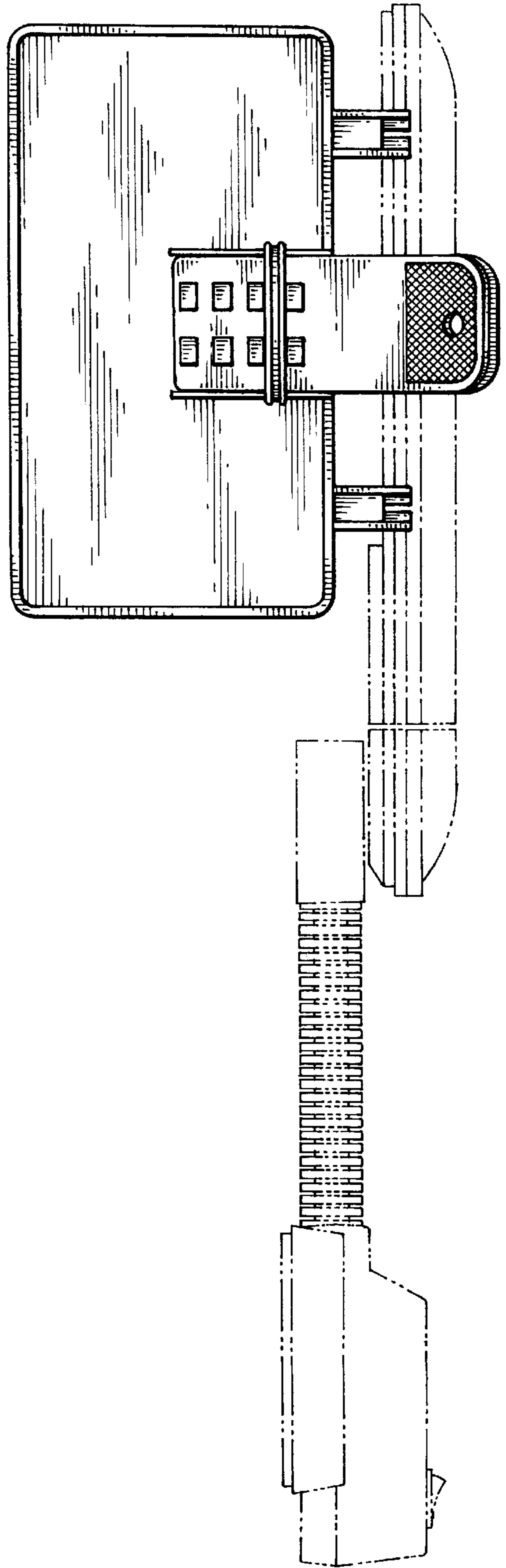


FIG. 4

FIG. 5

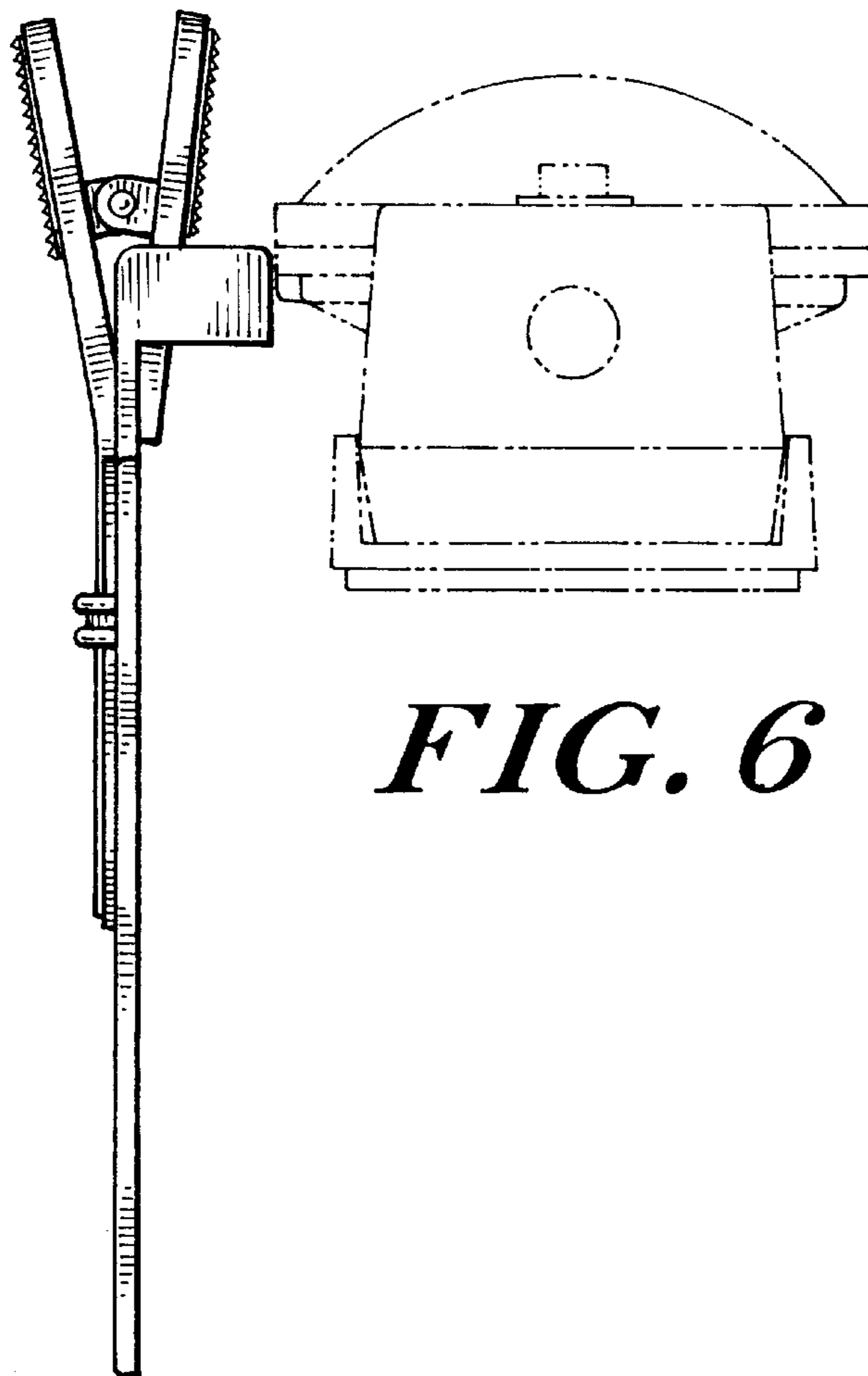
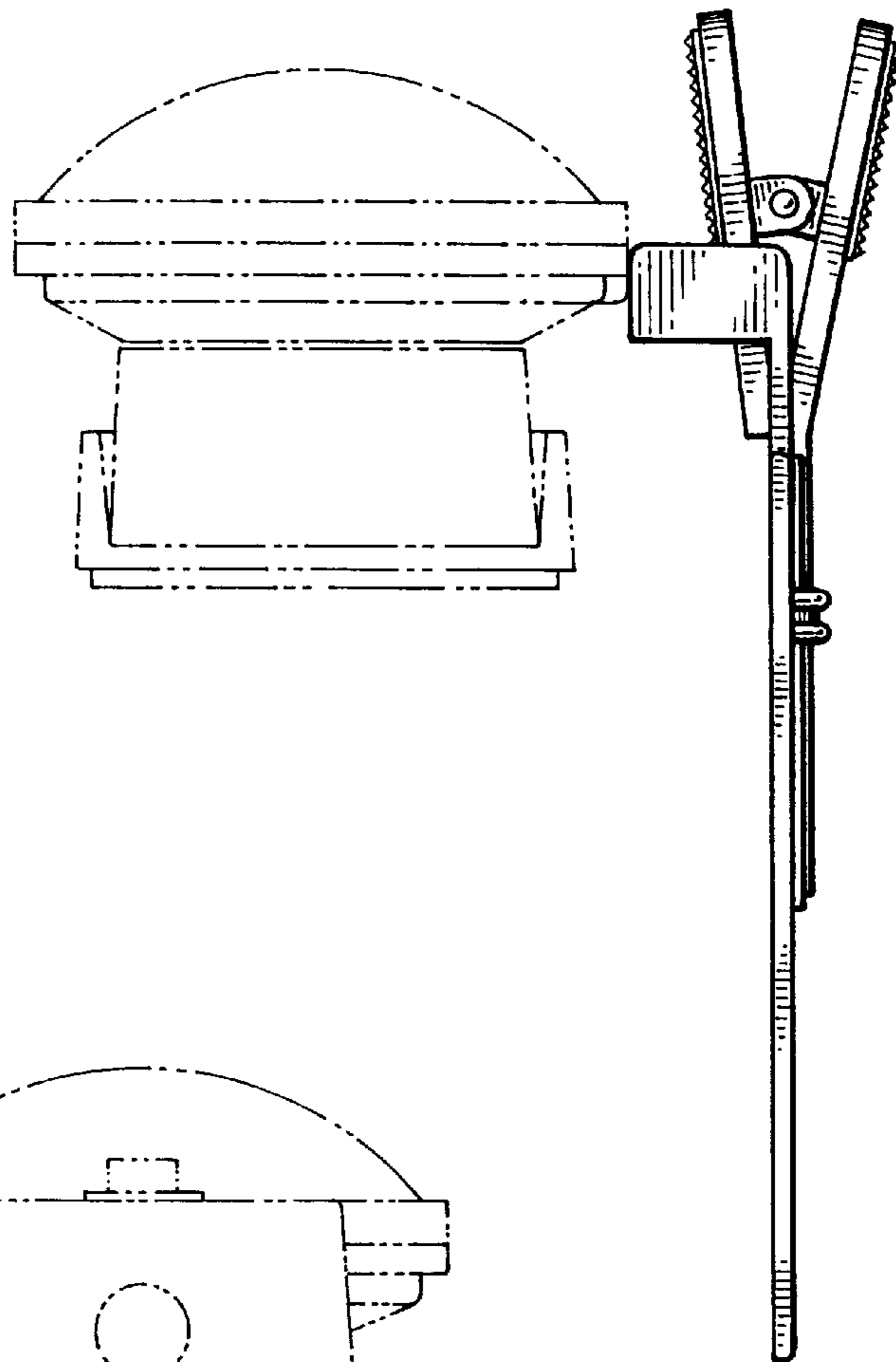


FIG. 6