



US00D415201S

# United States Patent [19] Leins

[11] **Patent Number: Des. 415,201**

[45] **Date of Patent: \*\* Oct. 12, 1999**

[54] **MULTI PURPOSE HAND OPERATED  
OFFICE UTENSIL**

[75] Inventor: **Hanspeter Leins**, Nagold, Germany

[73] Assignee: **C-Tech AG**, Switzerland

[\*\*] Term: **14 Years**

[21] Appl. No.: **29/066,304**

[22] Filed: **Jan. 21, 1997**

[51] **LOC (6) Cl.** ..... **19-06**

[52] **U.S. Cl.** ..... **D19/65; D8/105**

[58] **Field of Search** ..... **D19/65, 75, 77,  
D19/81-85, 99, 100; D8/98, 105, 104;  
7/118, 119, 160, 163, 164; 30/152**

[56] **References Cited**

**U.S. PATENT DOCUMENTS**

D. 302,102	7/1989	Amagaya	.....	D19/65 X
D. 318,070	7/1991	Amagaya	.....	D19/65
662,005	11/1900	Lewis	.....	7/118
790,432	5/1905	Heilrath	.....	7/118
857,459	6/1907	Hendrickson	.....	7/118
4,783,867	11/1988	Tsao	.	
4,794,692	1/1989	Wang	.	

**FOREIGN PATENT DOCUMENTS**

P.A.190350-				
3458	6/1958	Germany	.	
26 25 749 A1	12/1977	Germany	.	
41 10 688 A1	9/1991	Germany	.	
2196896	4/1988	United Kingdom	.	
WO 84/01739	5/1984	WIPO	.	

**OTHER PUBLICATIONS**

Brochure, "Wenger. The Genuine Swiss Army Knife", 27 pages.

Brochure, "Wenger. The Genuine Swiss Army Knife™", 16 pages.

Six Photographs Showing Top, Bottom, Left-Side, Right-Side, Front and Rear views of "MoMA PLUS" Device.

*Primary Examiner*—Martie K. Holtje

*Attorney, Agent, or Firm*—Brinks Hofer Gilson & Lione

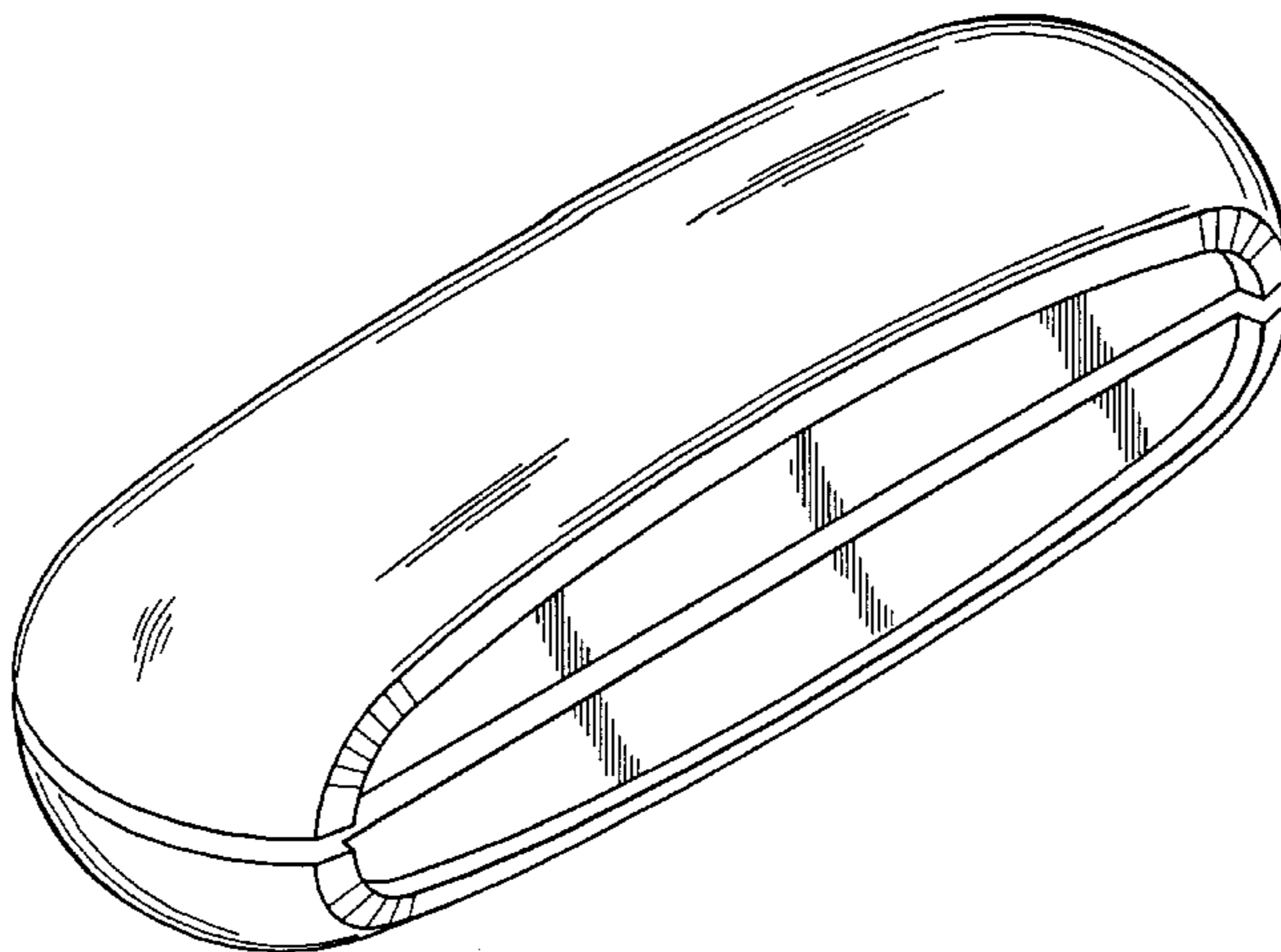
[57] **CLAIM**

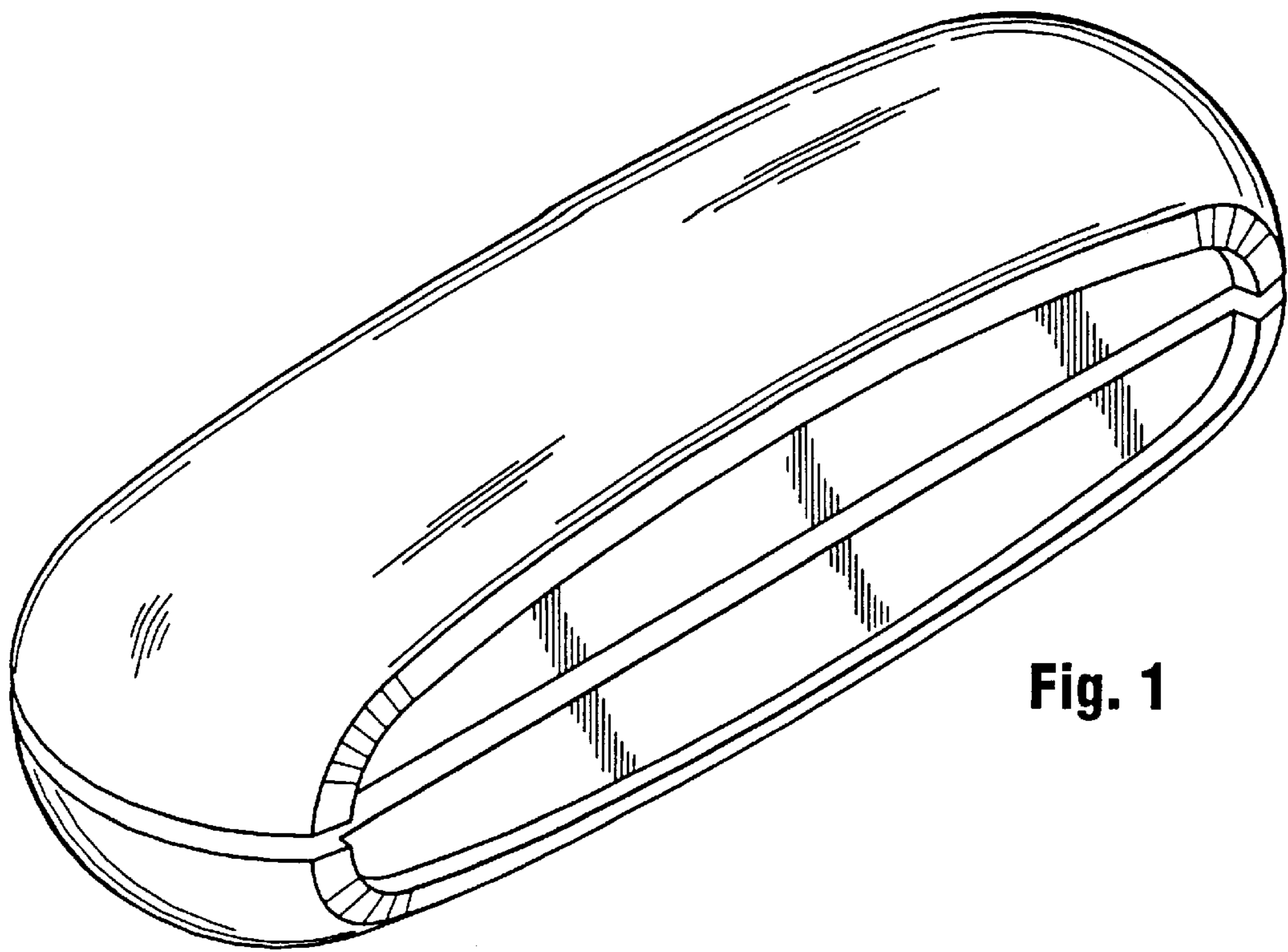
I claim the ornamental design for a multi purpose hand operated office utensil, as shown.

**DESCRIPTION**

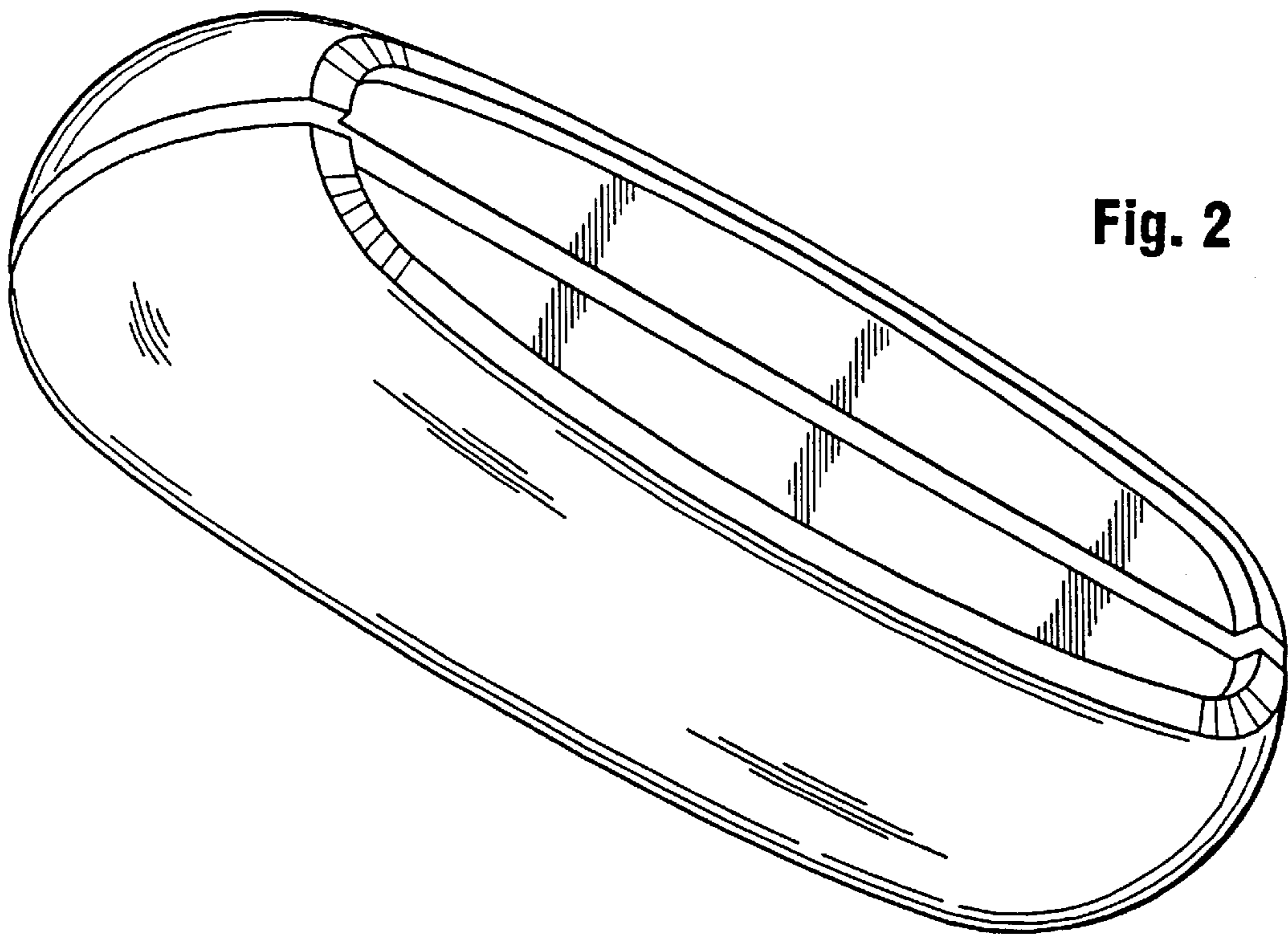
FIG. 1 is a top perspective view of a multi purpose hand operated office utensil showing my new design; FIG. 2 is a bottom perspective view of FIG. 1; FIG. 3 is a left side elevational view of FIG. 1; FIG. 4 is a right side elevational view of FIG. 1; FIG. 5 is a top plan view of FIG. 1; FIG. 6 is a bottom plan view of FIG. 1; FIG. 7 is a rear elevational view of FIG. 1; FIG. 8 is a front elevational view of FIG. 1; FIG. 9 is a second top perspective view of my new design of FIG. 1; FIG. 10 is a bottom perspective view of FIG. 9; FIG. 11 is a left side elevational view of FIG. 9; FIG. 12 is a right side elevational view of FIG. 9; FIG. 13 is a top plan view of FIG. 9; FIG. 14 is a bottom plan view of FIG. 9; FIG. 15 is a rear elevational view of FIG. 9; FIG. 16 is a front elevational view of FIG. 9; FIG. 17 is a third top perspective view of my design of FIG. 1; FIG. 18 is a bottom perspective view of FIG. 17; FIG. 19 is a left side elevational view of FIG. 17; FIG. 20 is a right side elevational view of FIG. 17; FIG. 21 is a top plan view of FIG. 17; FIG. 22 is a bottom plan view of FIG. 17; FIG. 23 is a rear elevational view of FIG. 17; FIG. 24 is a front elevational view of FIG. 17; FIG. 25 is a fourth top perspective view of my design of FIG. 1; FIG. 26 is a bottom perspective view of FIG. 25; FIG. 27 is a left side elevational view of FIG. 25; FIG. 28 is a right side elevational view of FIG. 25; FIG. 29 is a top plan view of FIG. 25; FIG. 30 is a bottom plan view of FIG. 25; FIG. 31 is a rear elevational view of FIG. 25; and, FIG. 32 is a front elevational view of FIG. 25. The variety of structural elements depicted by means of broken lines in FIGS. 9 through 32 have been shown for environmental purposes only and form no part of the claimed design.

**1 Claim, 12 Drawing Sheets**



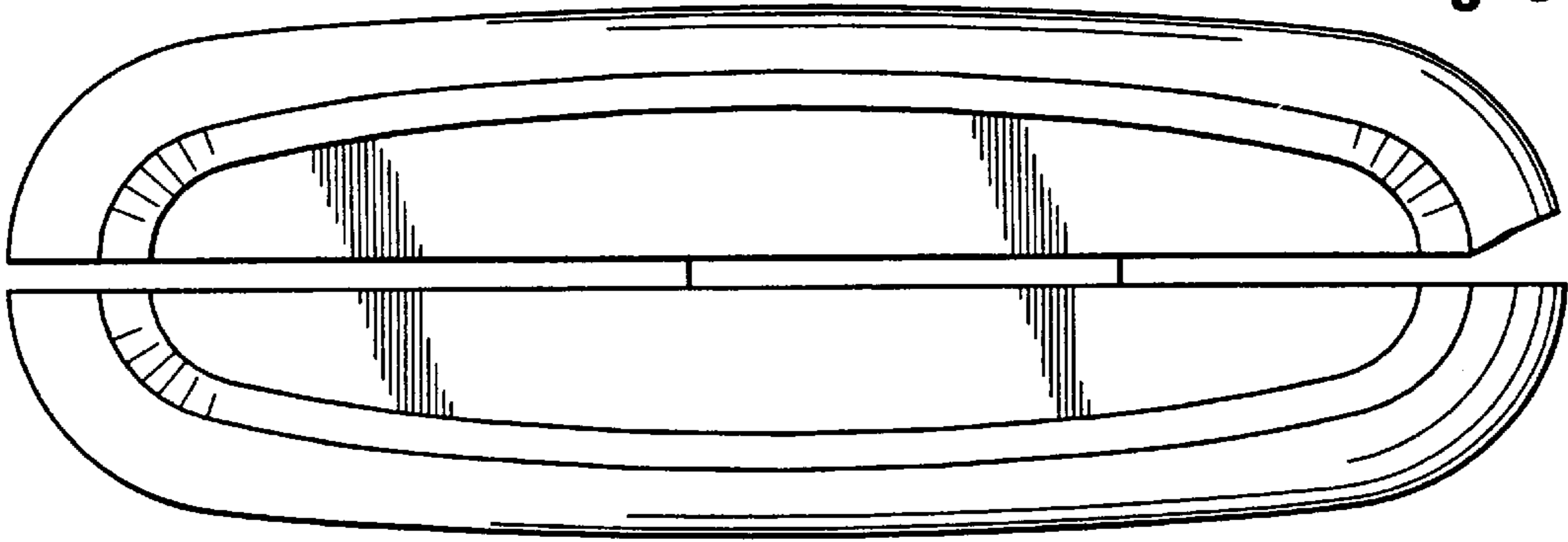


**Fig. 1**

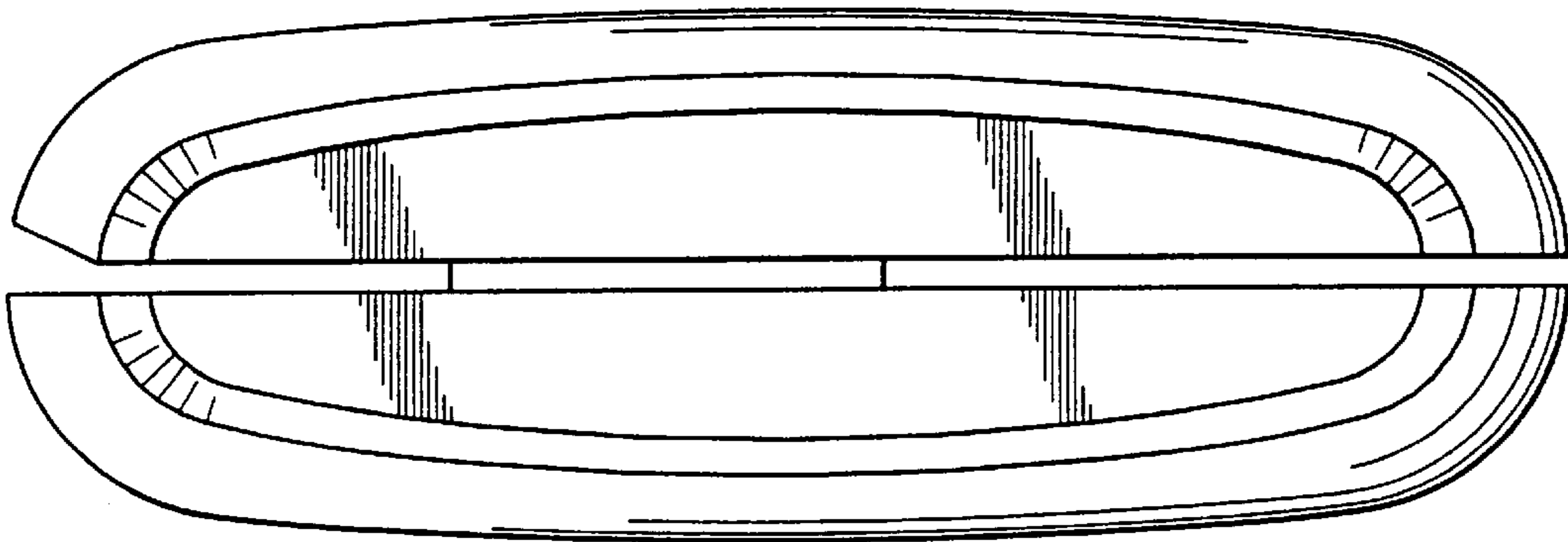


**Fig. 2**

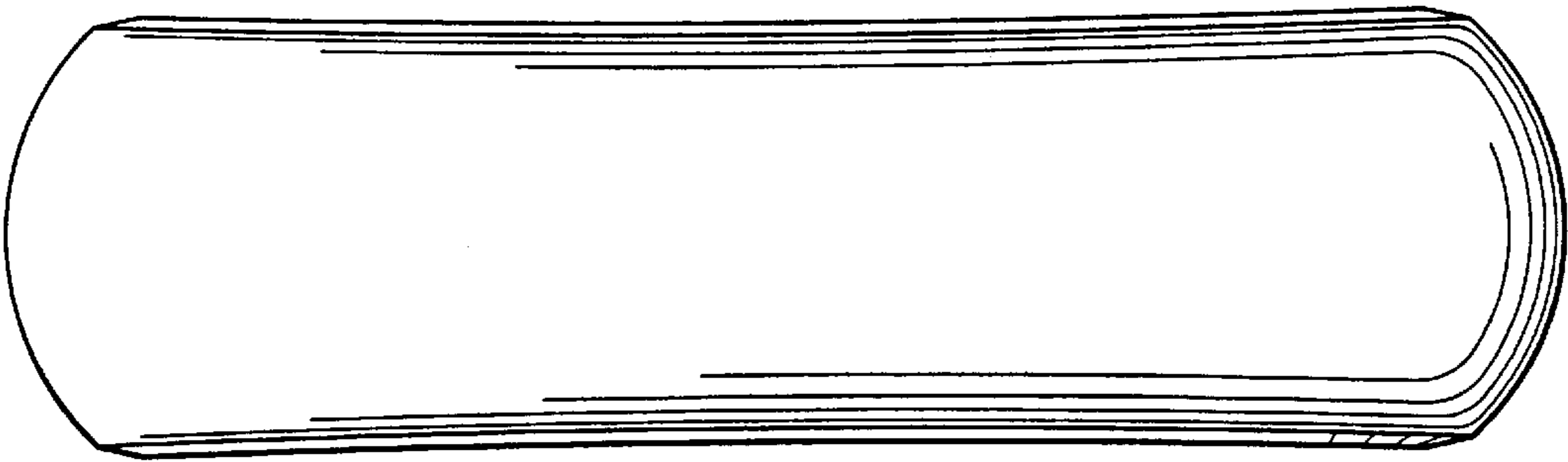
**Fig. 3**



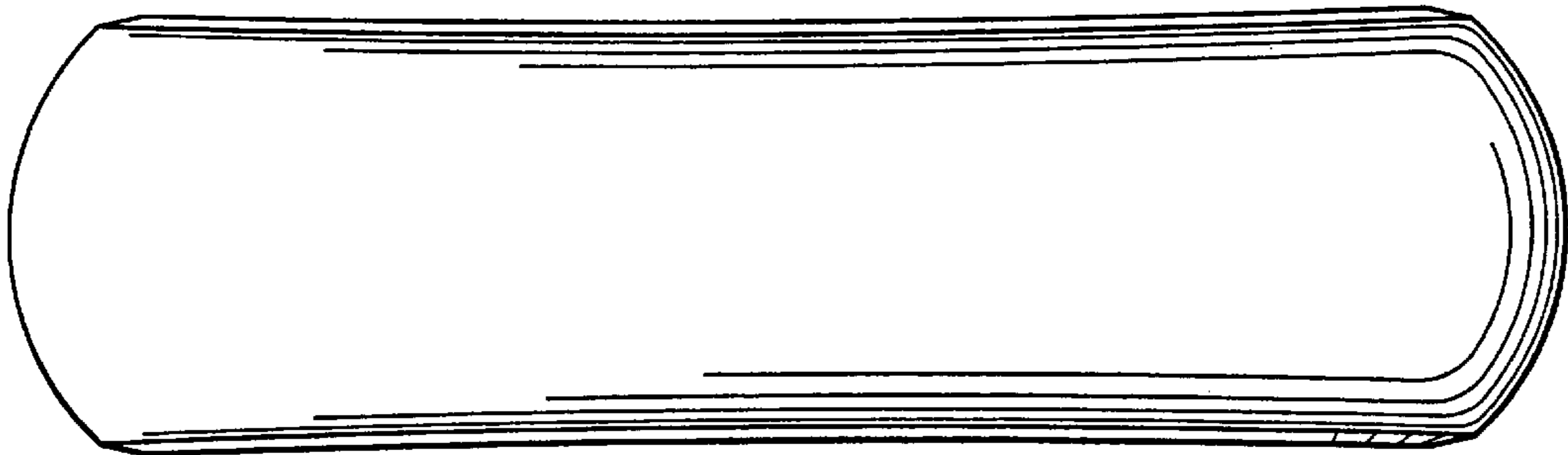
**Fig. 4**



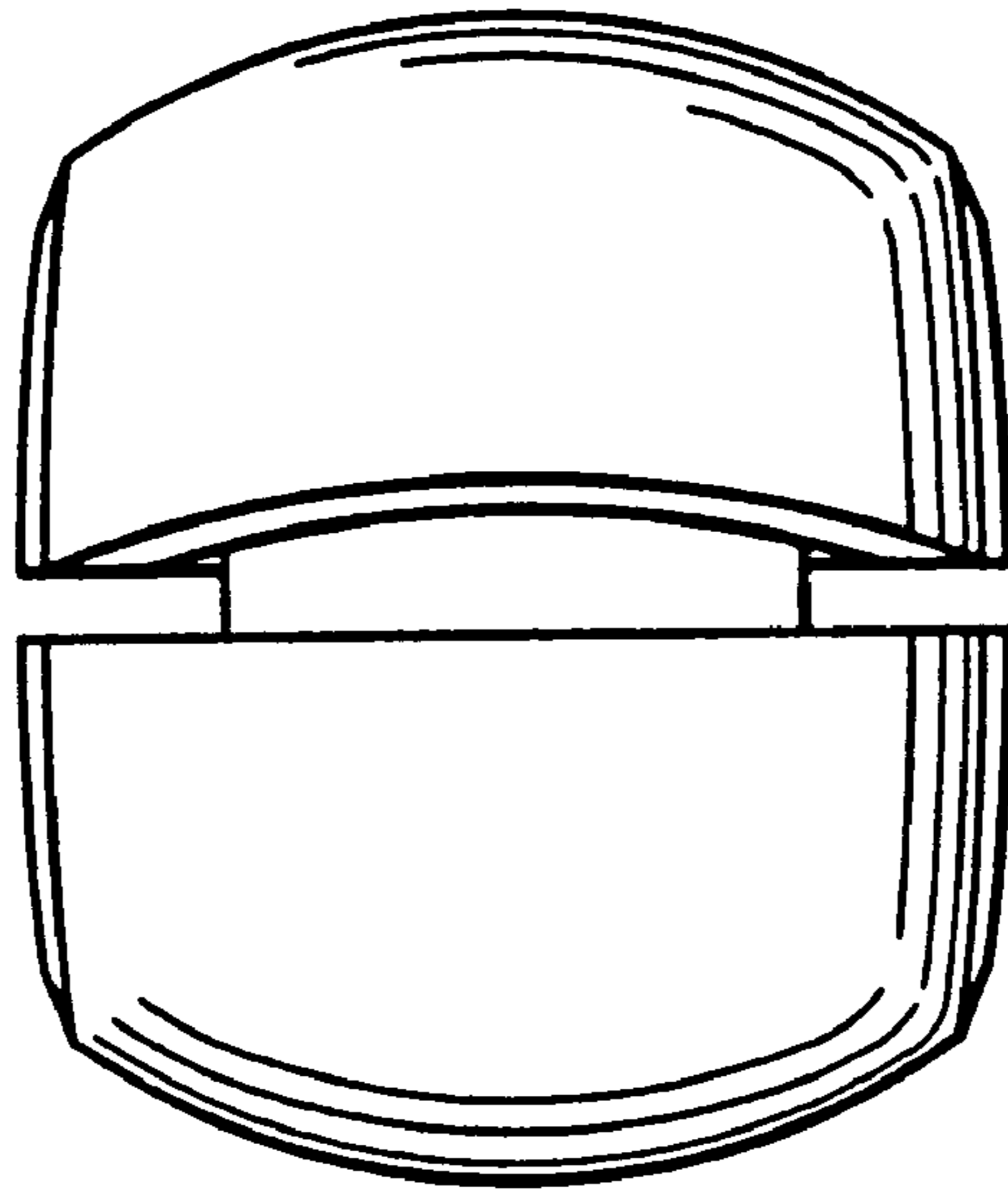
**Fig. 5**



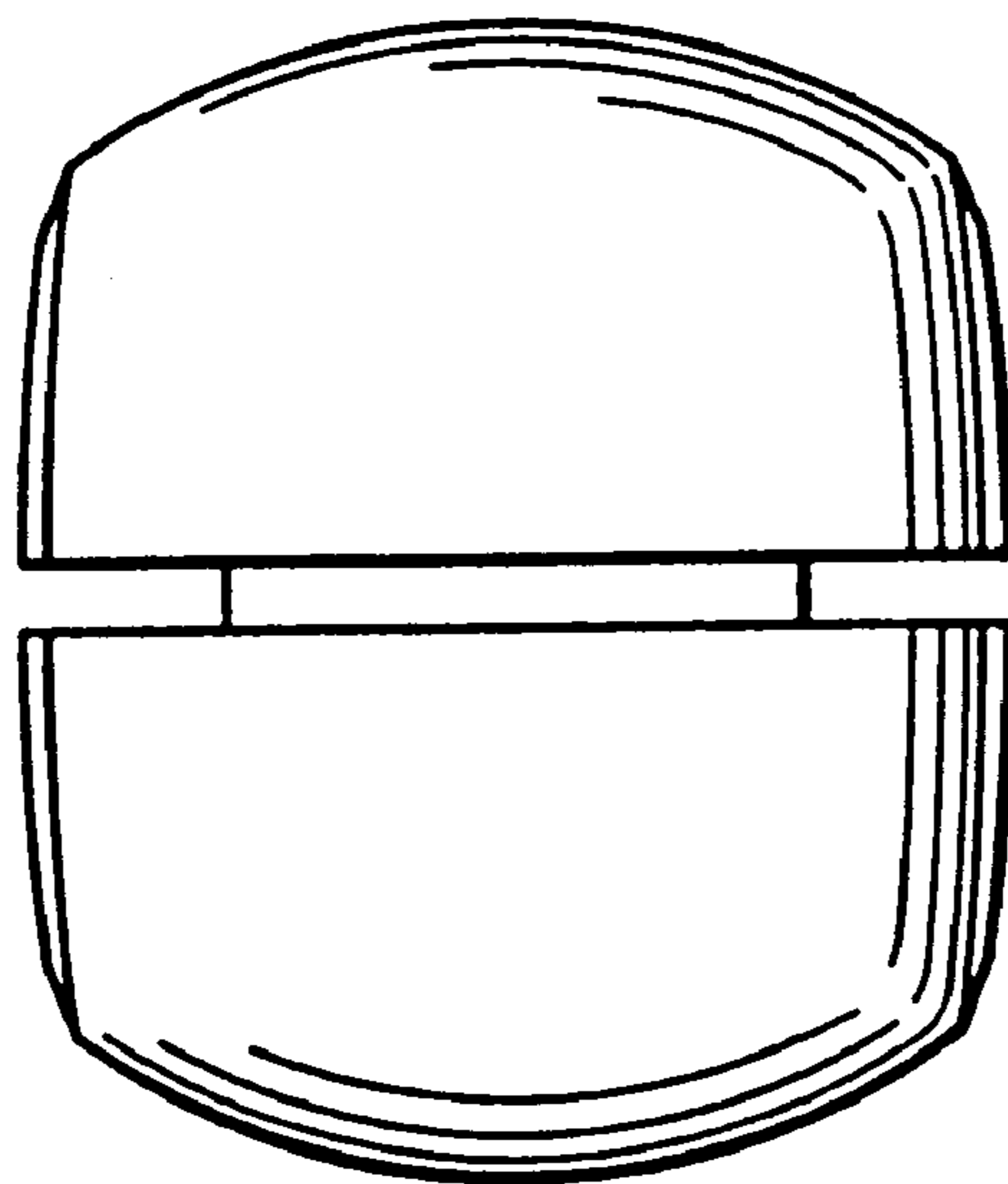
**Fig. 6**



**Fig. 7**



**Fig. 8**



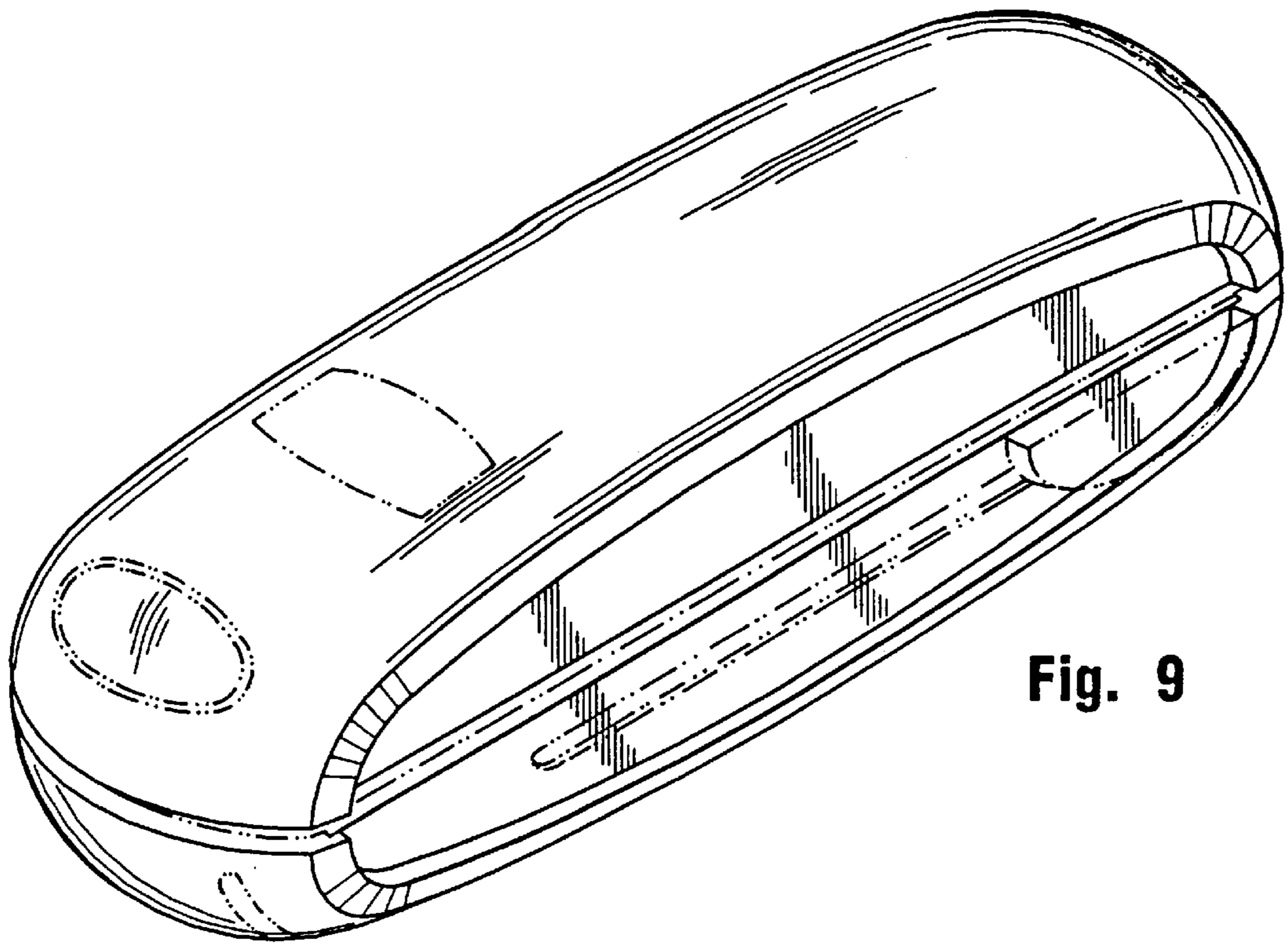


Fig. 9

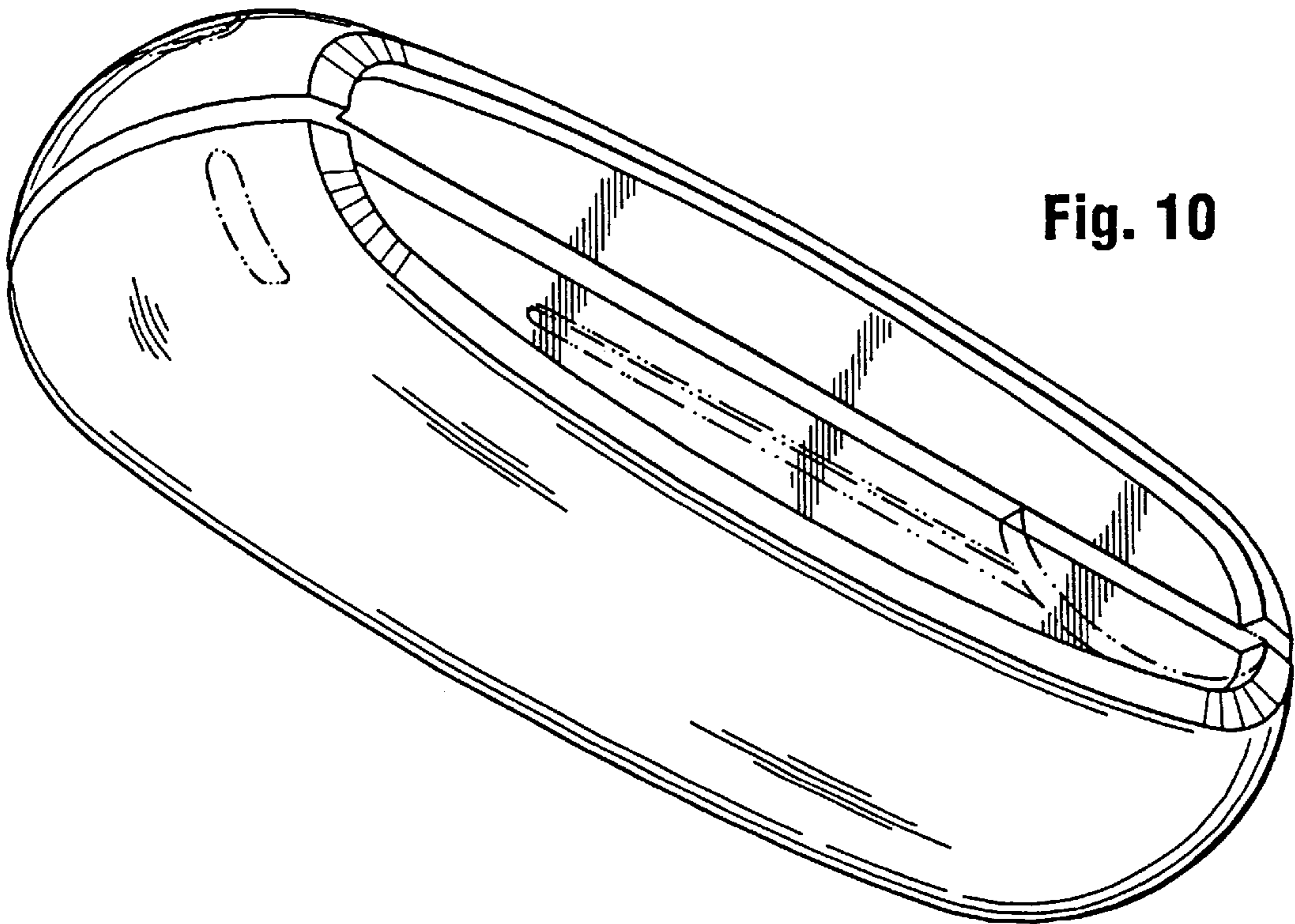


Fig. 10

Fig. 11

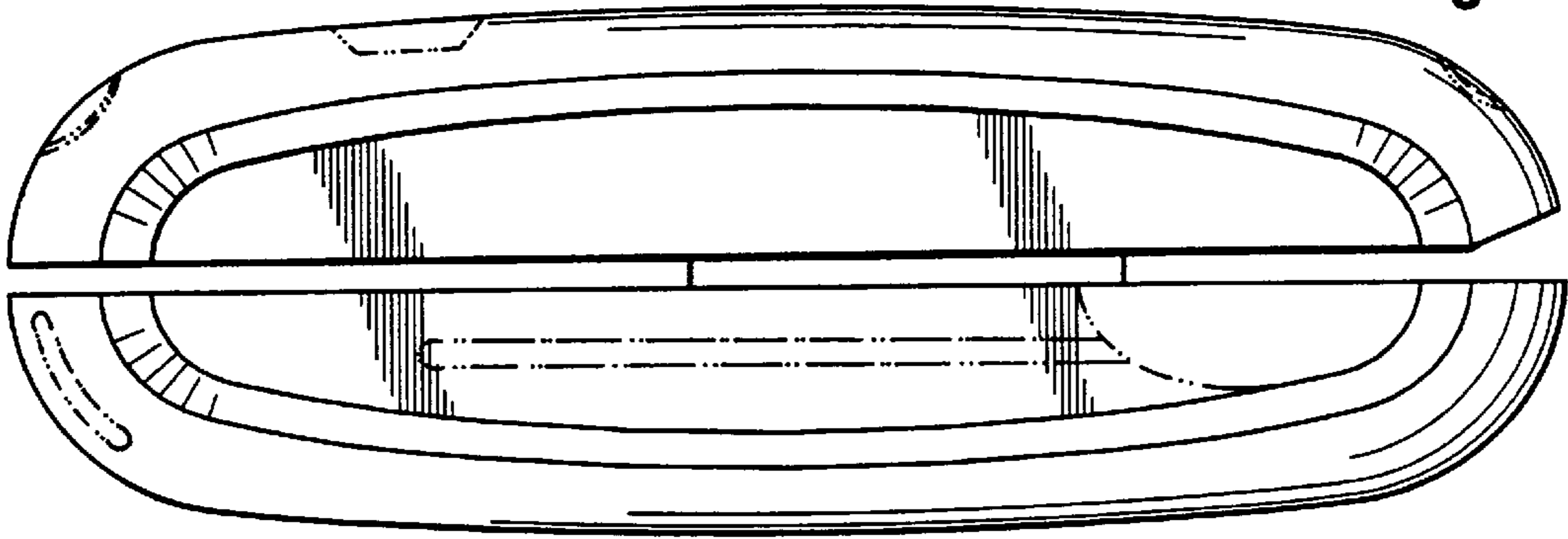


Fig. 12

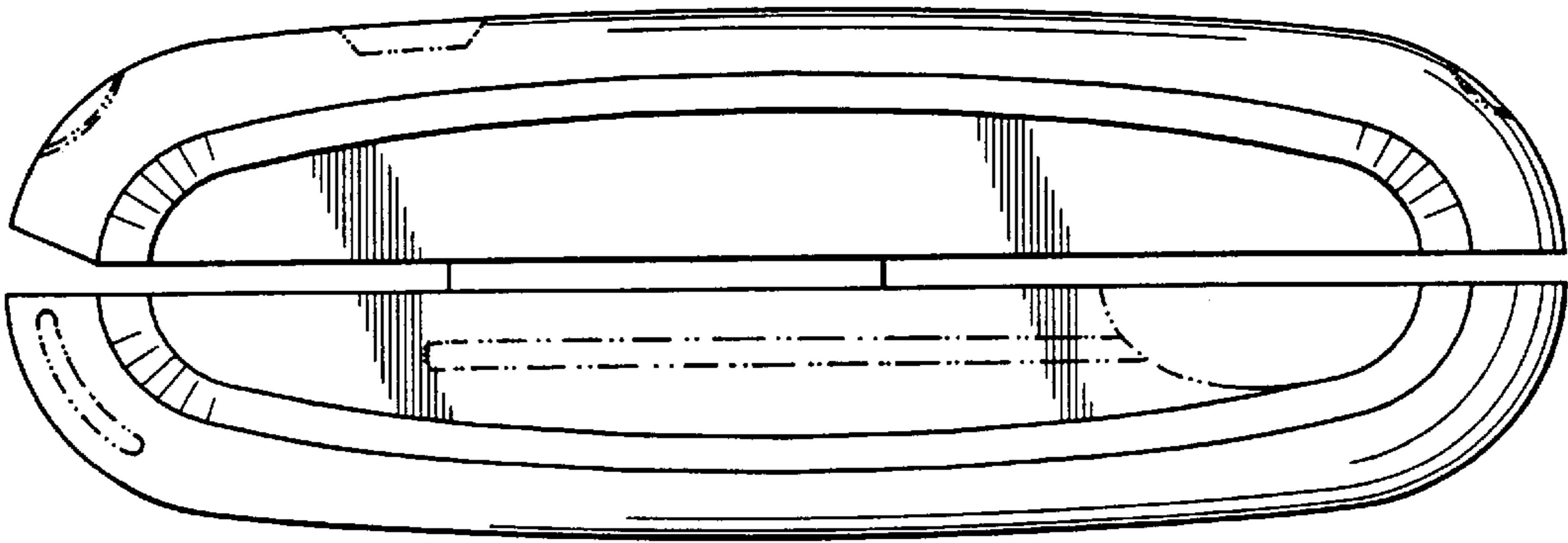


Fig. 13

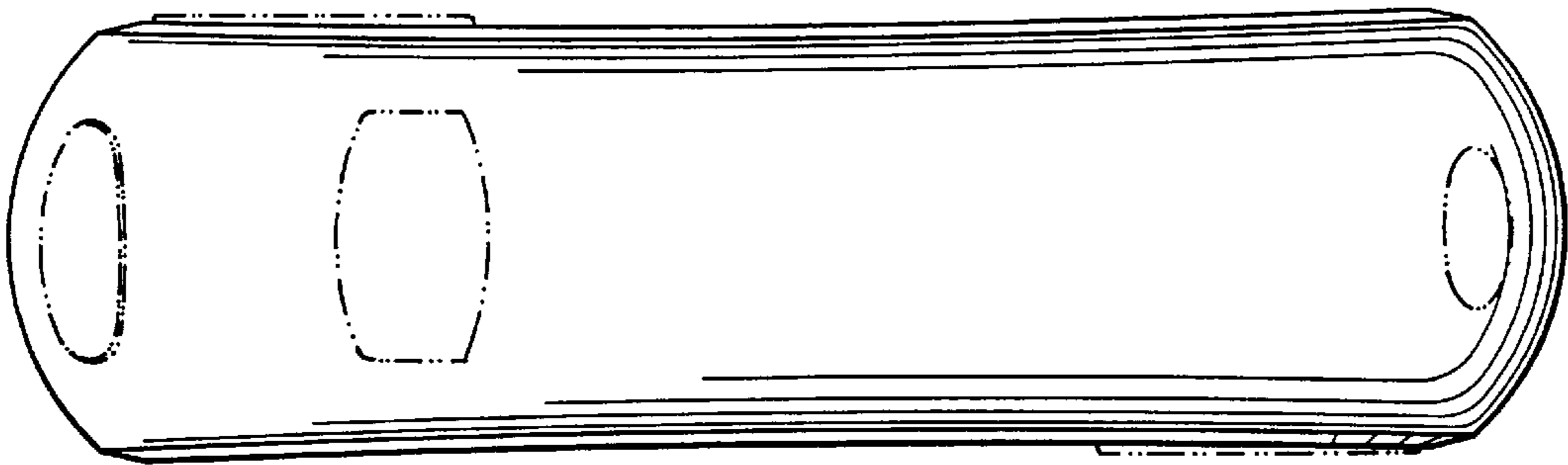
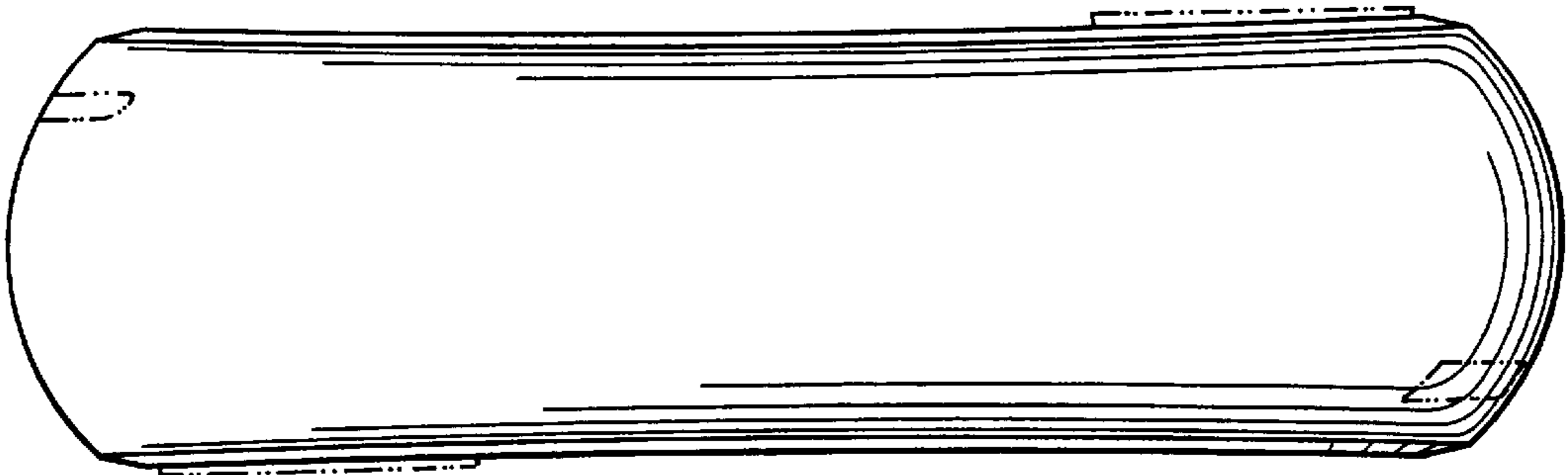
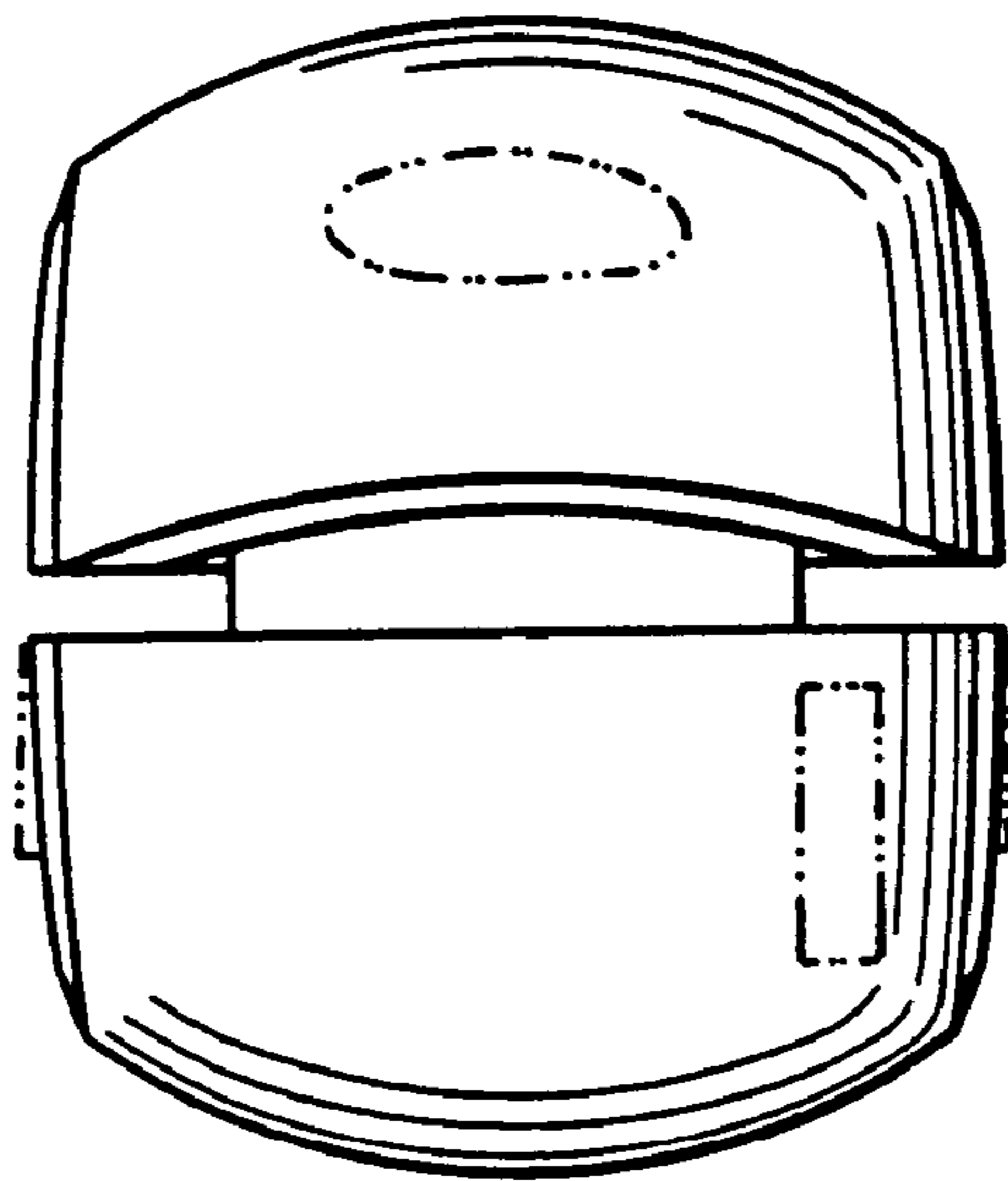


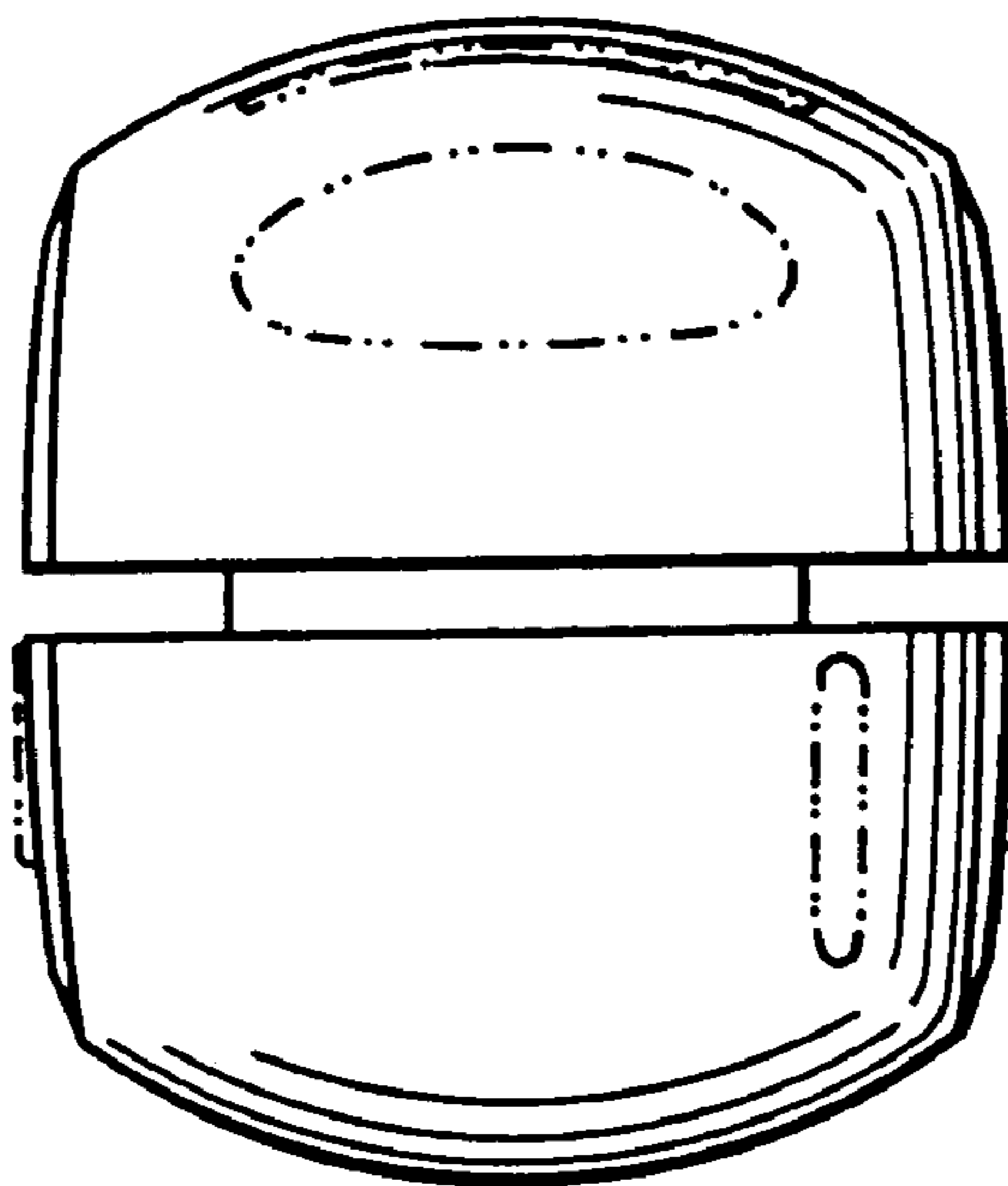
Fig. 14



**Fig. 15**



**Fig. 16**



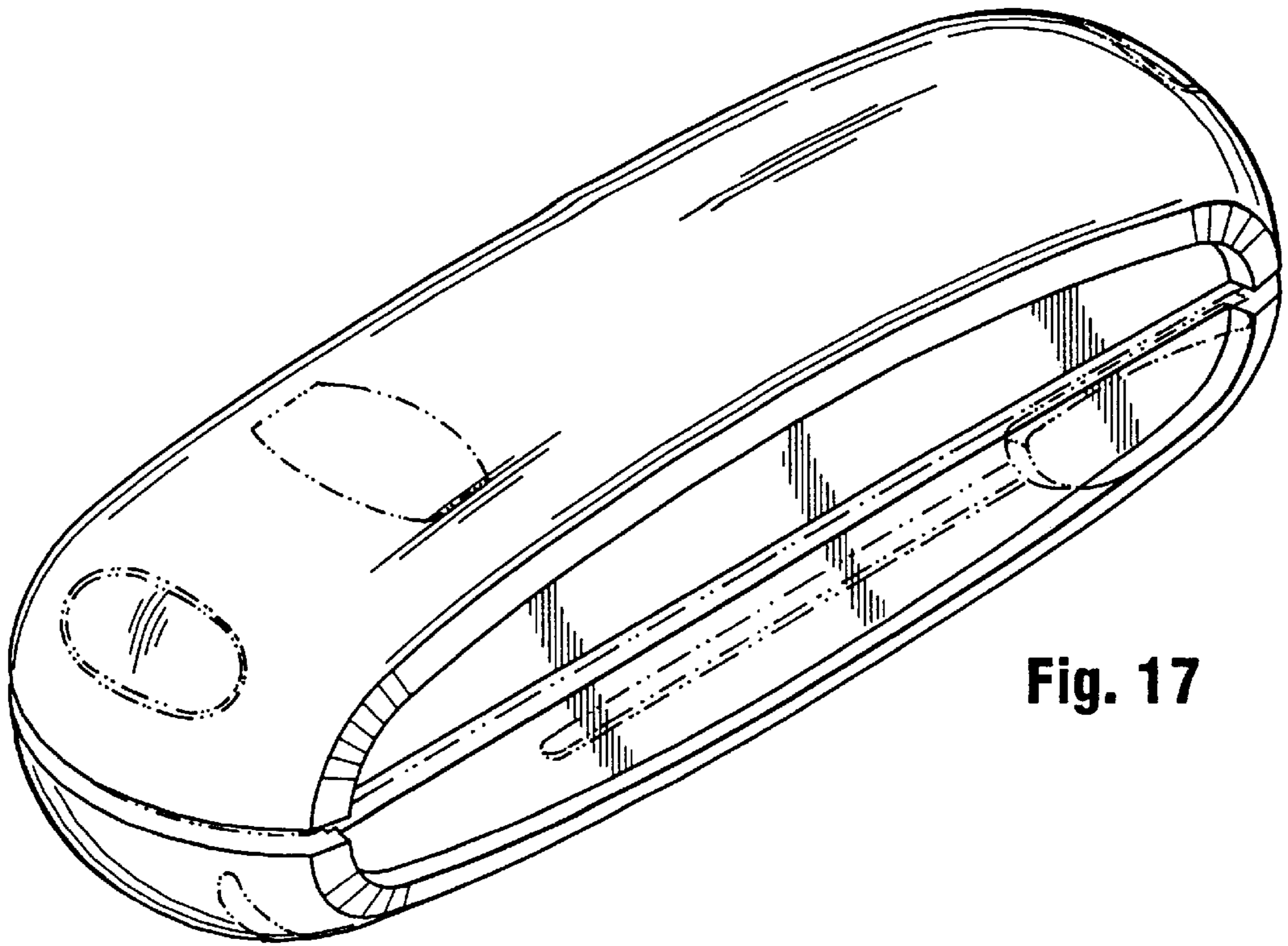


Fig. 17

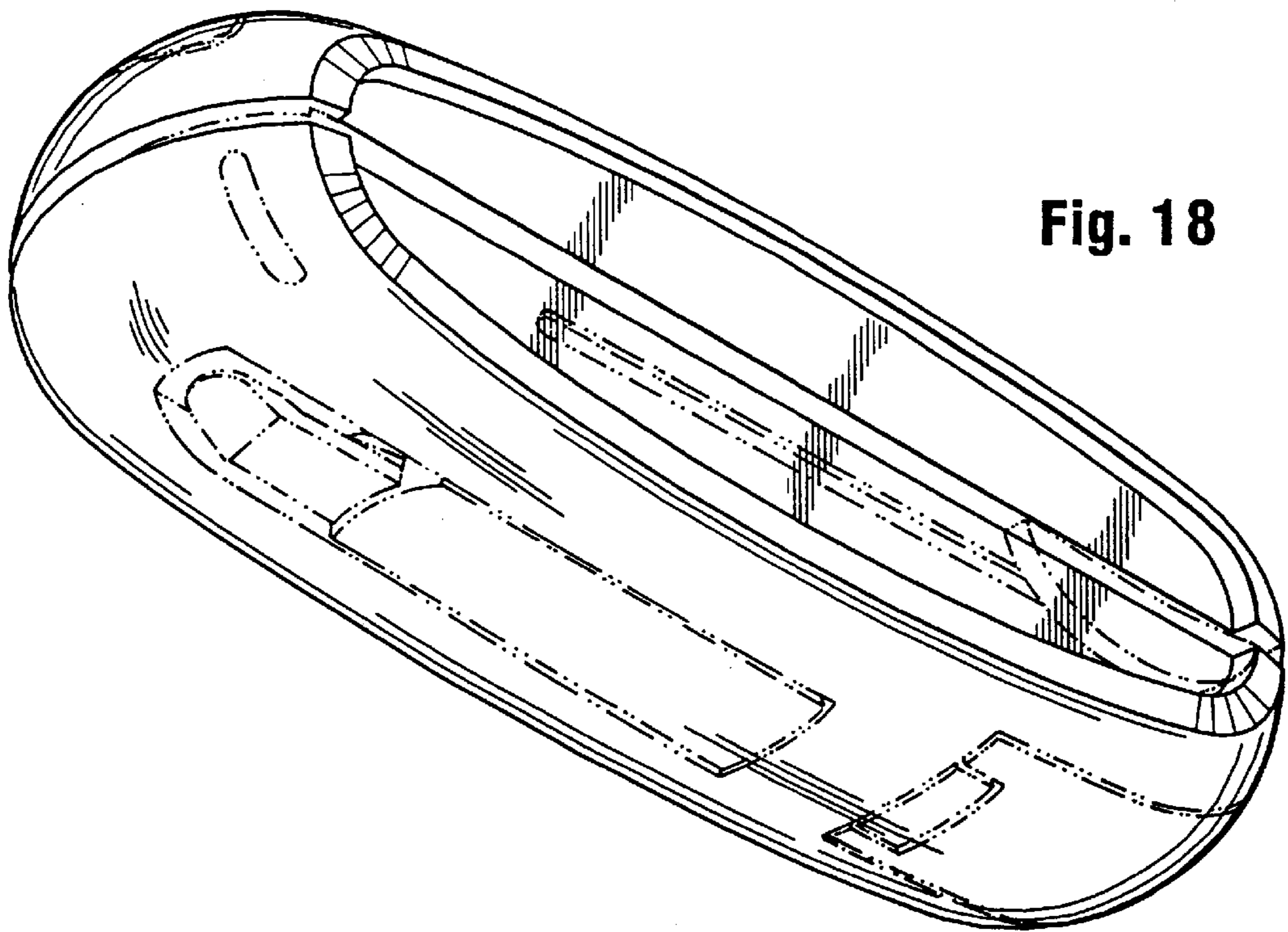
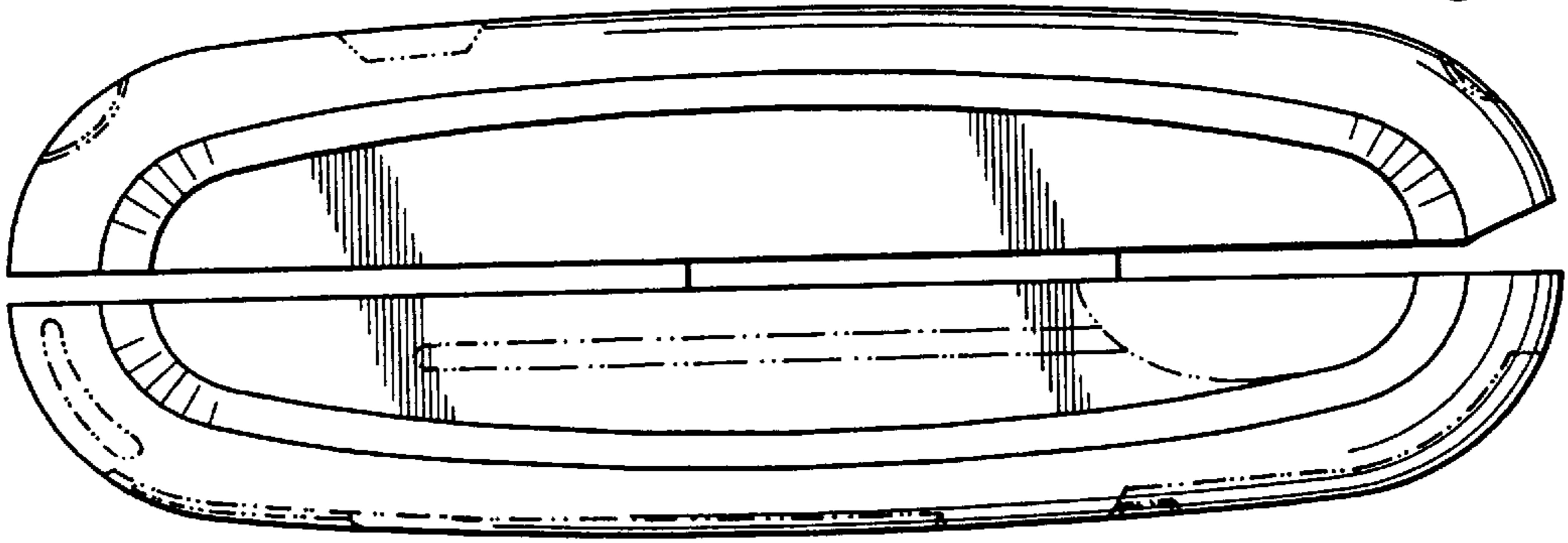


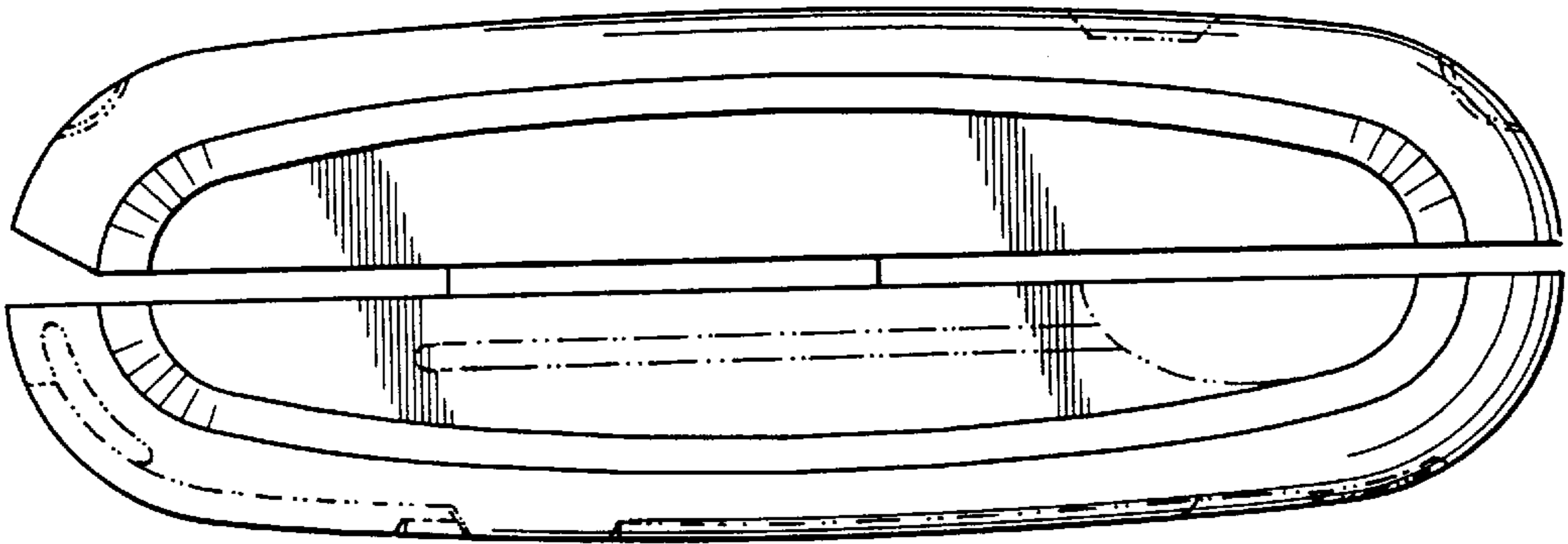
Fig. 18



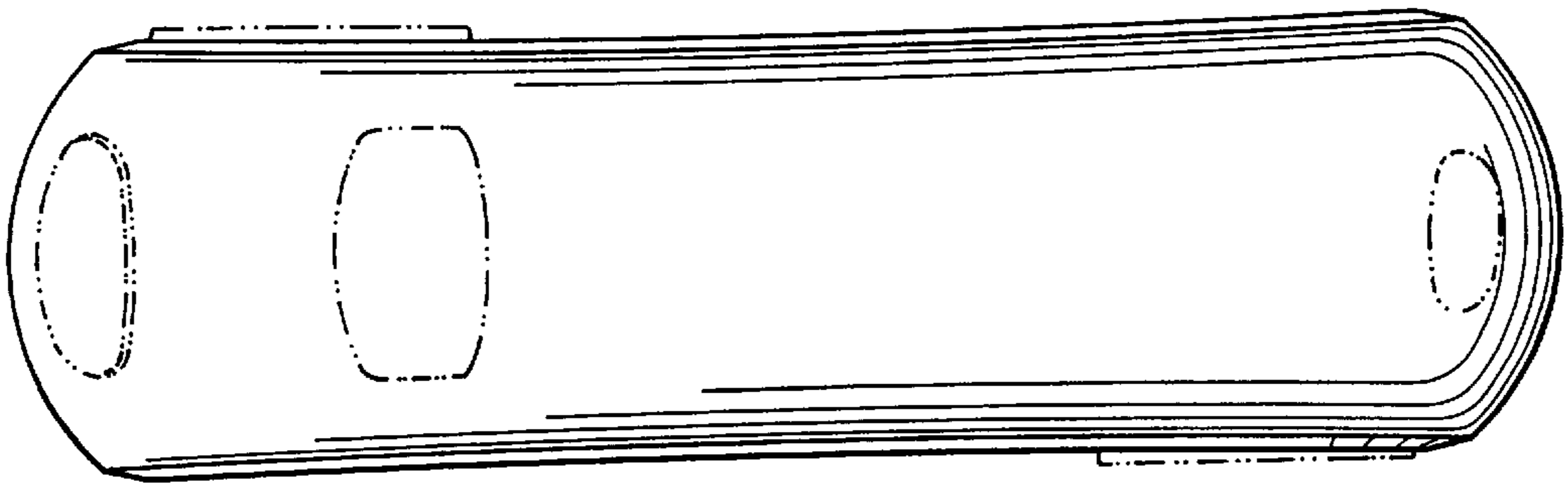
**Fig. 19**



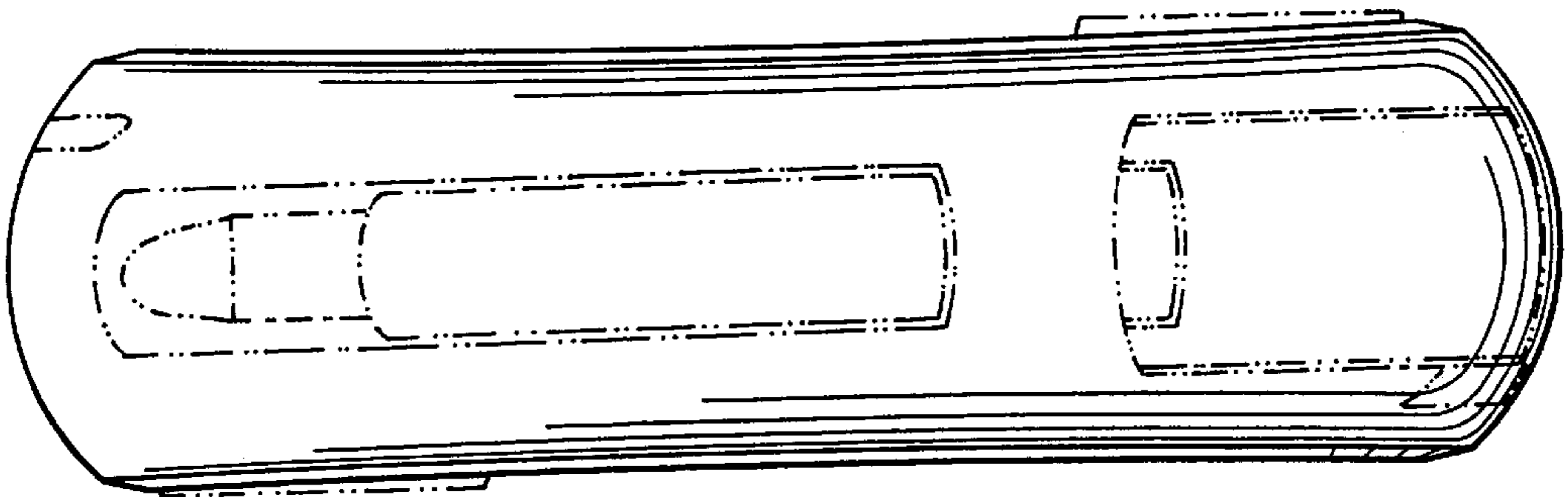
**Fig. 20**



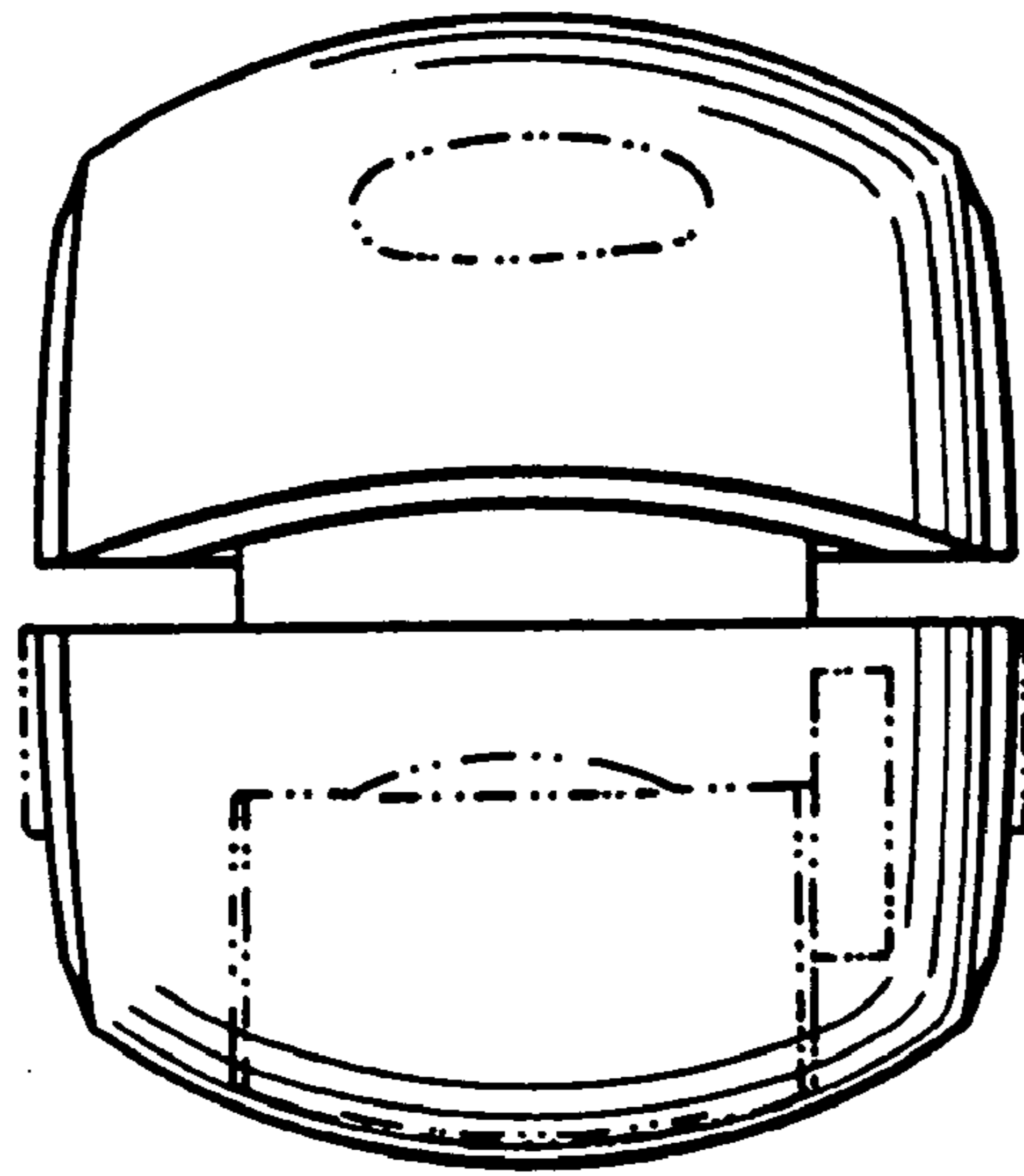
**Fig. 21**



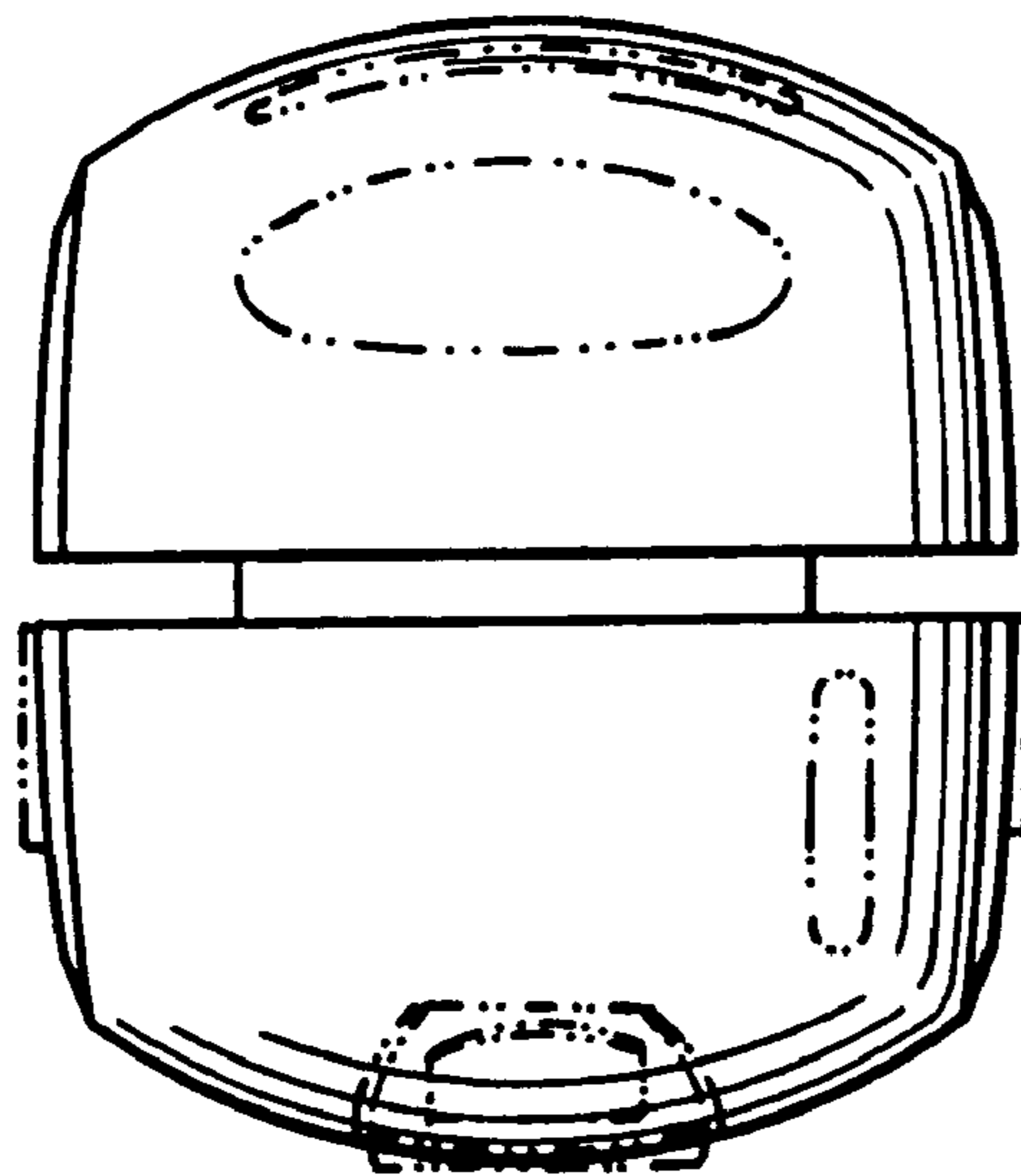
**Fig. 22**



**Fig. 23**



**Fig. 24**



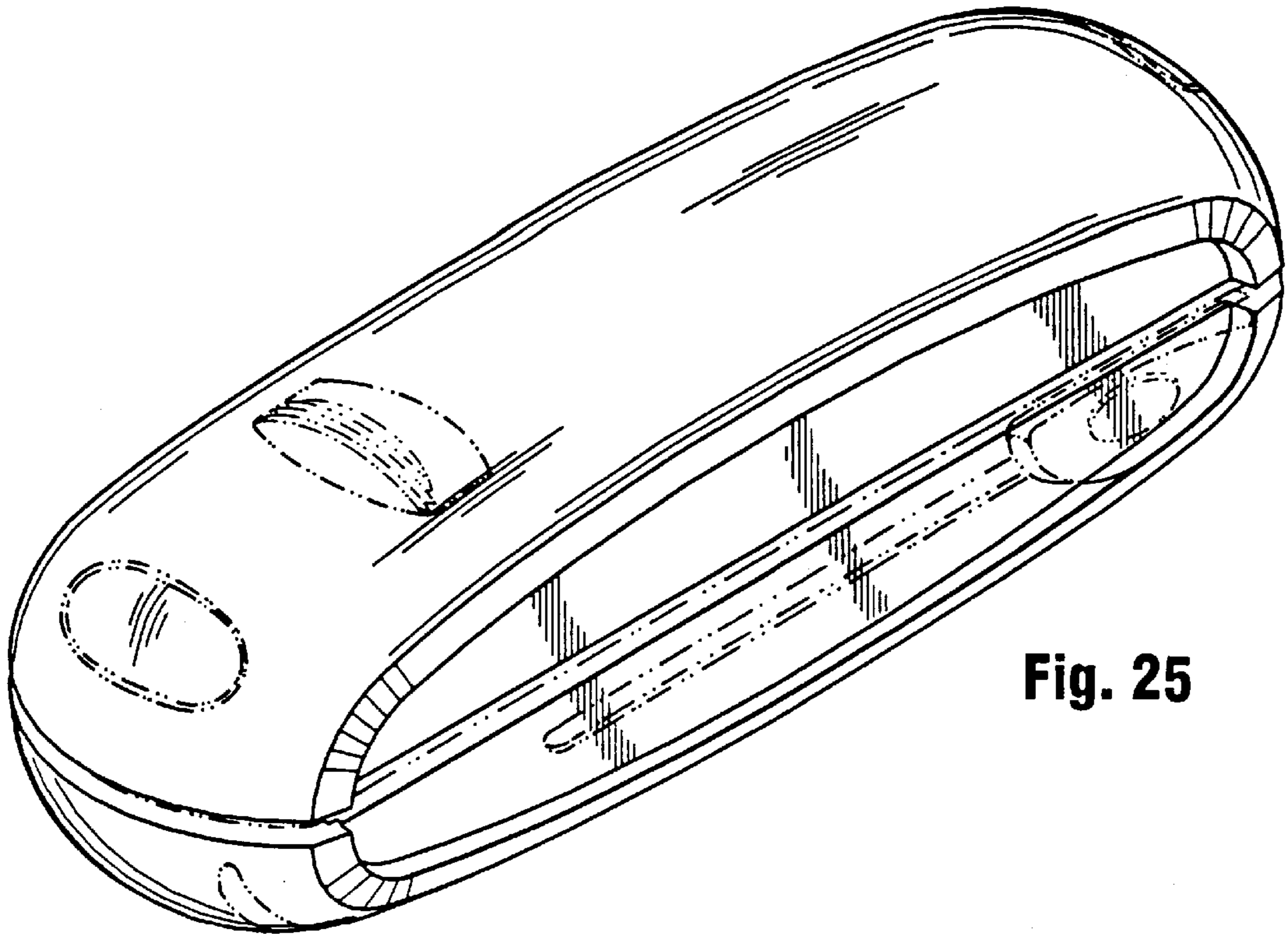


Fig. 25

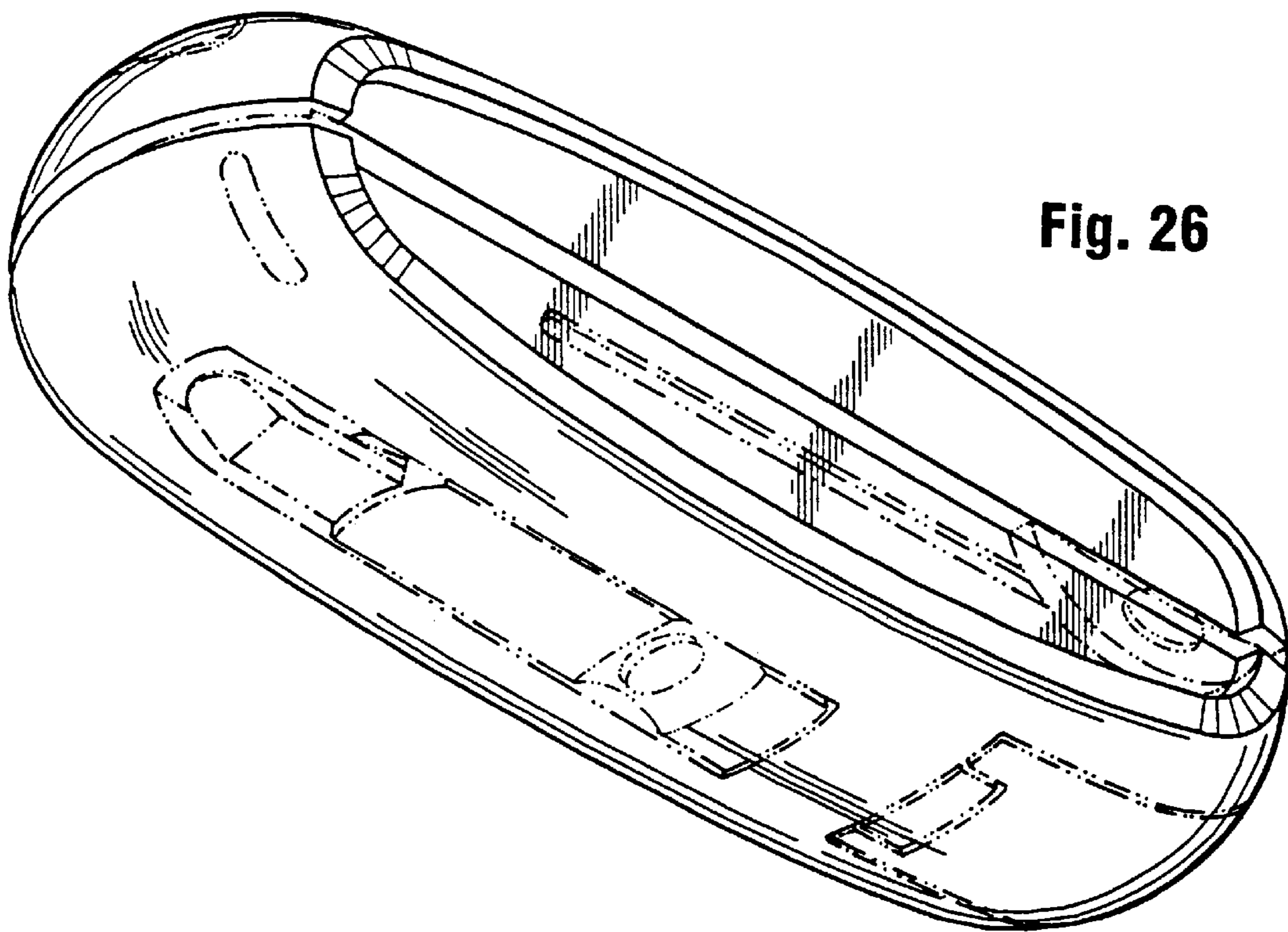
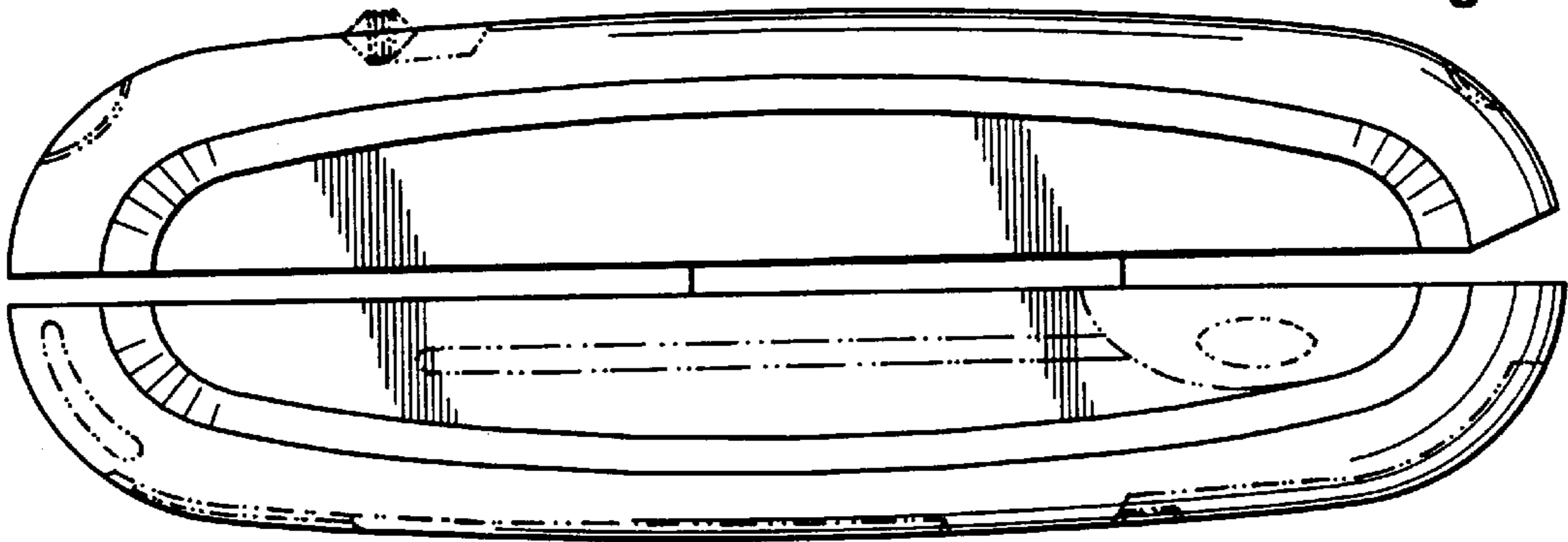
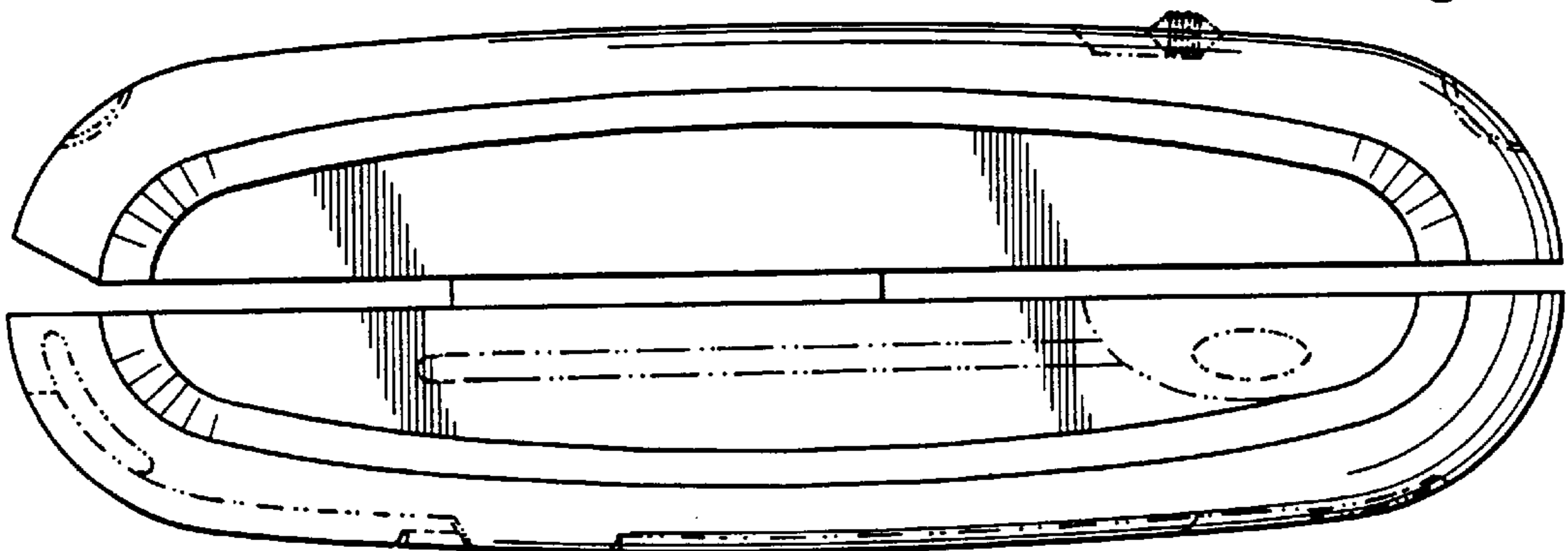


Fig. 26

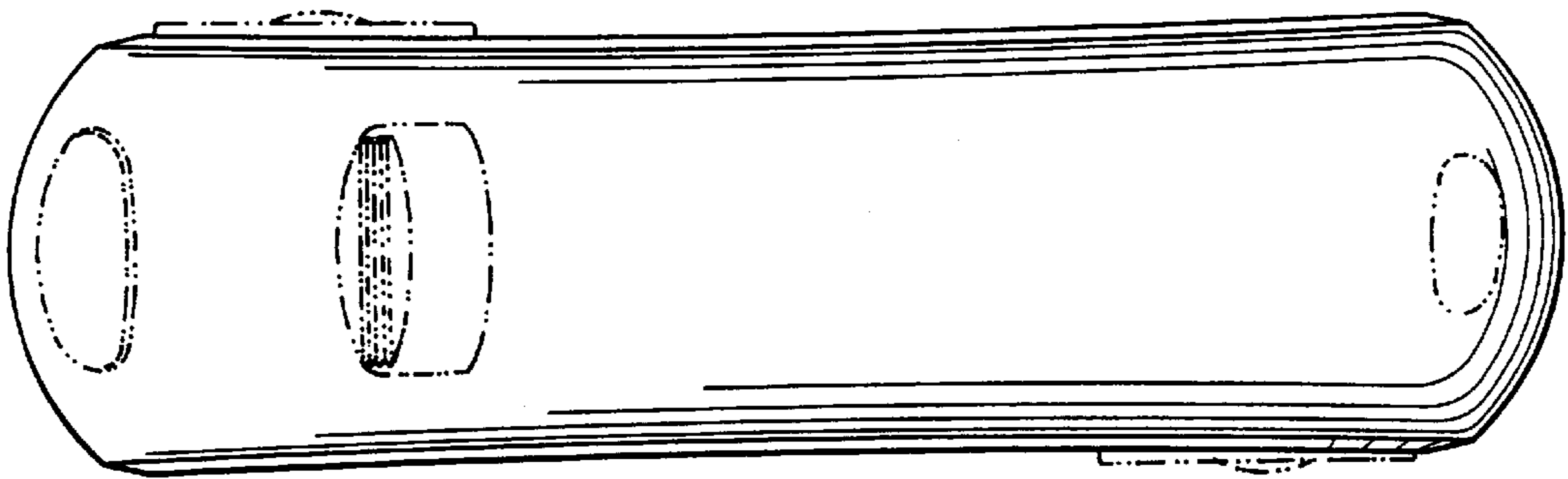
**Fig. 27**



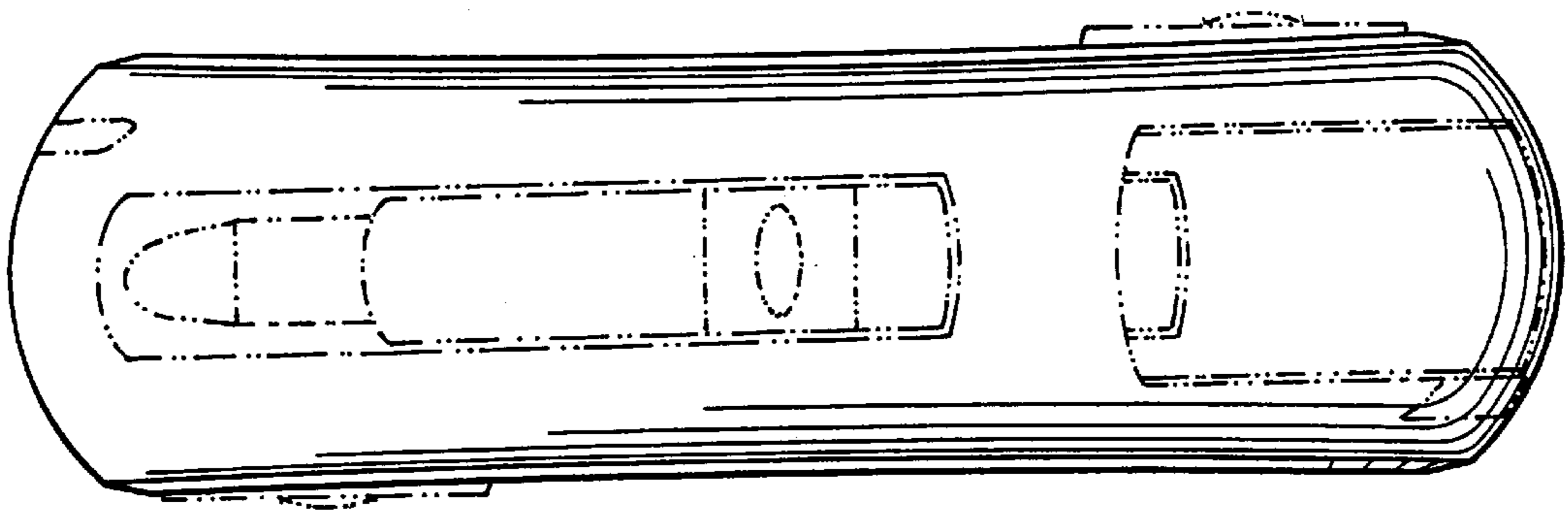
**Fig. 28**



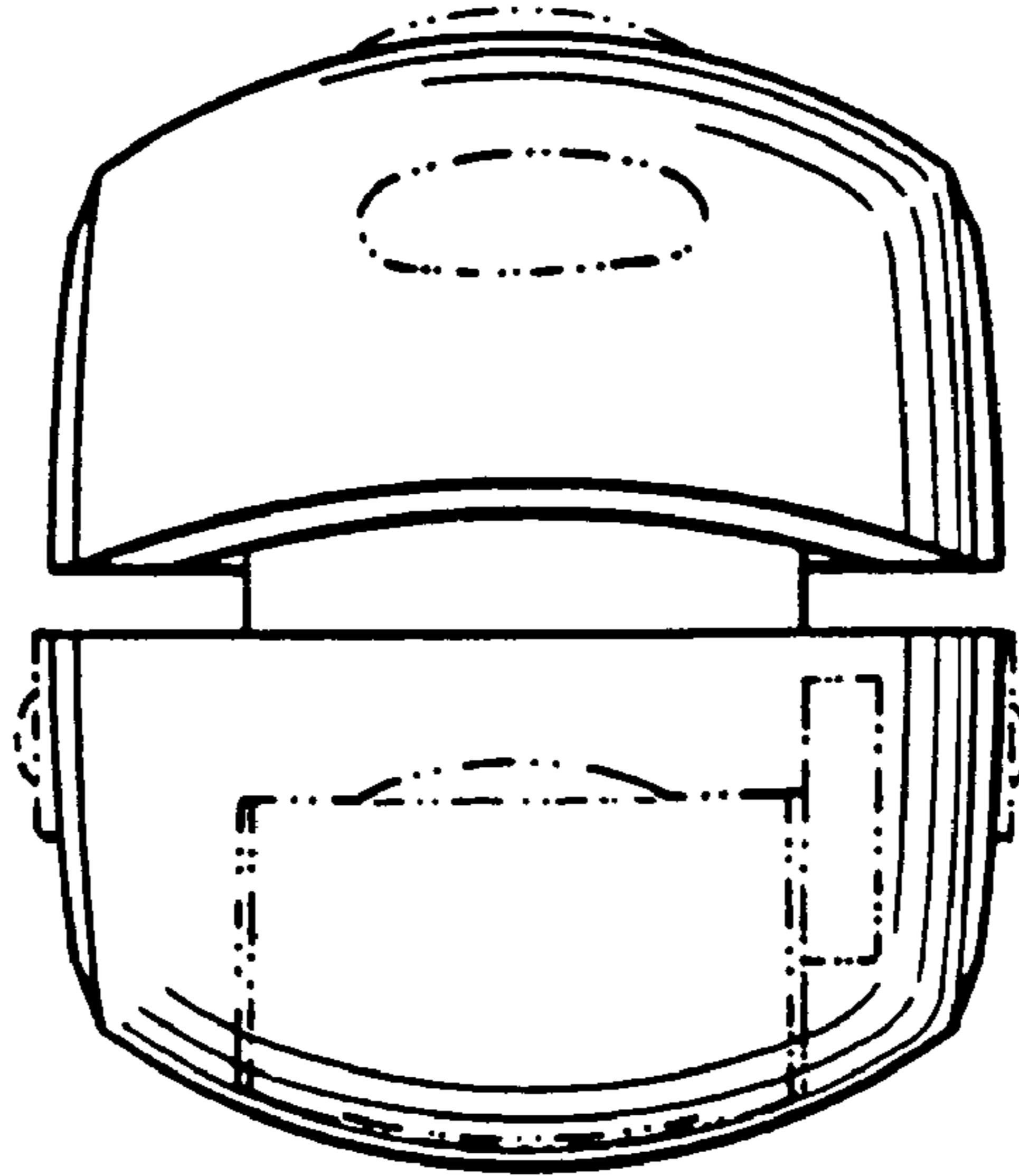
**Fig. 29**



**Fig. 30**



**Fig. 31**



**Fig. 32**

