



US00D415195S

# United States Patent [19] Kinkel et al.

[11] **Patent Number: Des. 415,195**  
[45] **Date of Patent: \*\* Oct. 12, 1999**

[54] **TRANSPARENT ENVELOPE**  
[75] Inventors: **Carl F. Kinkel**, Northborough; **Dwight D. Lowe**, Ludlow, both of Mass.

3,142,437 7/1964 Grant et al. .... 229/68.1  
4,308,988 1/1982 Jiveman et al. .... 229/68.1  
5,049,118 9/1991 McNabb ..... 493/216

[73] Assignee: **Westvaco Corporation**, New York, N.Y.

### OTHER PUBLICATIONS

A, B, C, E, p. 892, Jacobs Gardner Office Products catalog, 1991.

[\*\*] Term: **14 Years**

*Primary Examiner*—Doris V. Coles  
*Assistant Examiner*—Mimosa De

[21] Appl. No.: **29/094,710**

### [57] CLAIM

[22] Filed: **Oct. 8, 1998**

The ornamental design for a transparent envelope, as shown and described.

[51] **LOC (6) Cl.** ..... **19-01**

[52] **U.S. Cl.** ..... **D19/3**

[58] **Field of Search** ..... D19/1, 2, 3, 4;  
40/124.09, 124.12, 661; 229/68.1, 75, 303,  
930; 283/116; 281/38

### DESCRIPTION

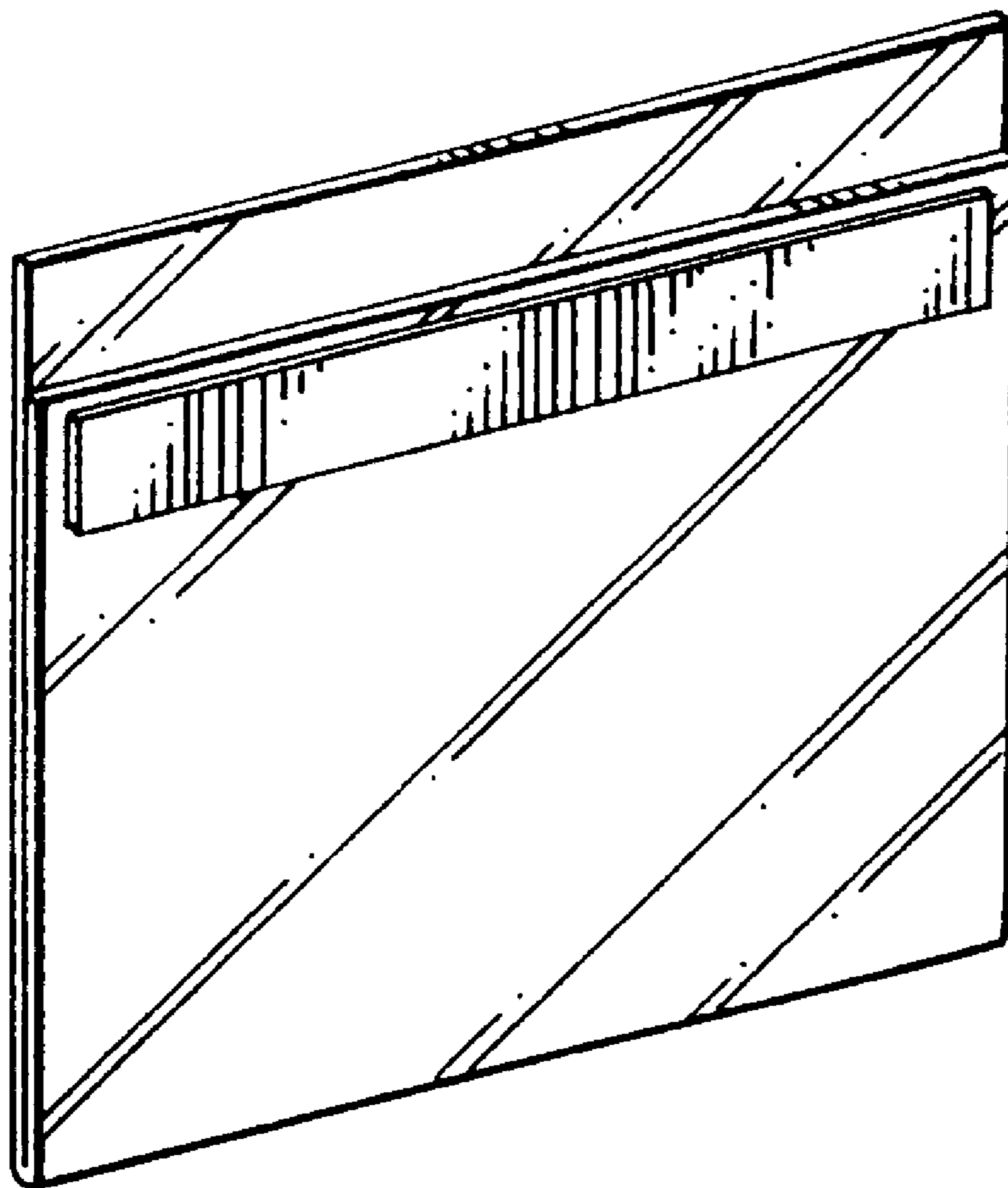
### [56] References Cited

#### U.S. PATENT DOCUMENTS

D. 279,990 8/1985 Gerber et al. .... D19/3  
D. 312,656 12/1990 Huber ..... D19/3  
D. 353,322 12/1994 Oshry et al. .... D19/3  
2,819,010 1/1958 Amiguet ..... 229/62

FIG. 1 is a front elevational view of a transparent envelope showing our new design;  
FIG. 2 is a rear elevational view thereof;  
FIG. 3 is a top plan view;  
FIG. 4 is a left side elevational view thereof;  
FIG. 5 is a right side elevational view thereof; and,  
FIG. 6 is a front perspective view thereof.

**1 Claim, 1 Drawing Sheet**



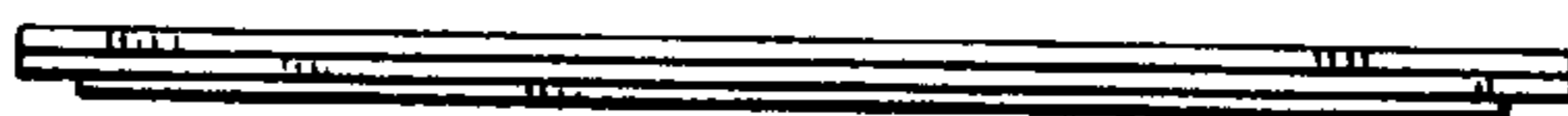


FIG. 3

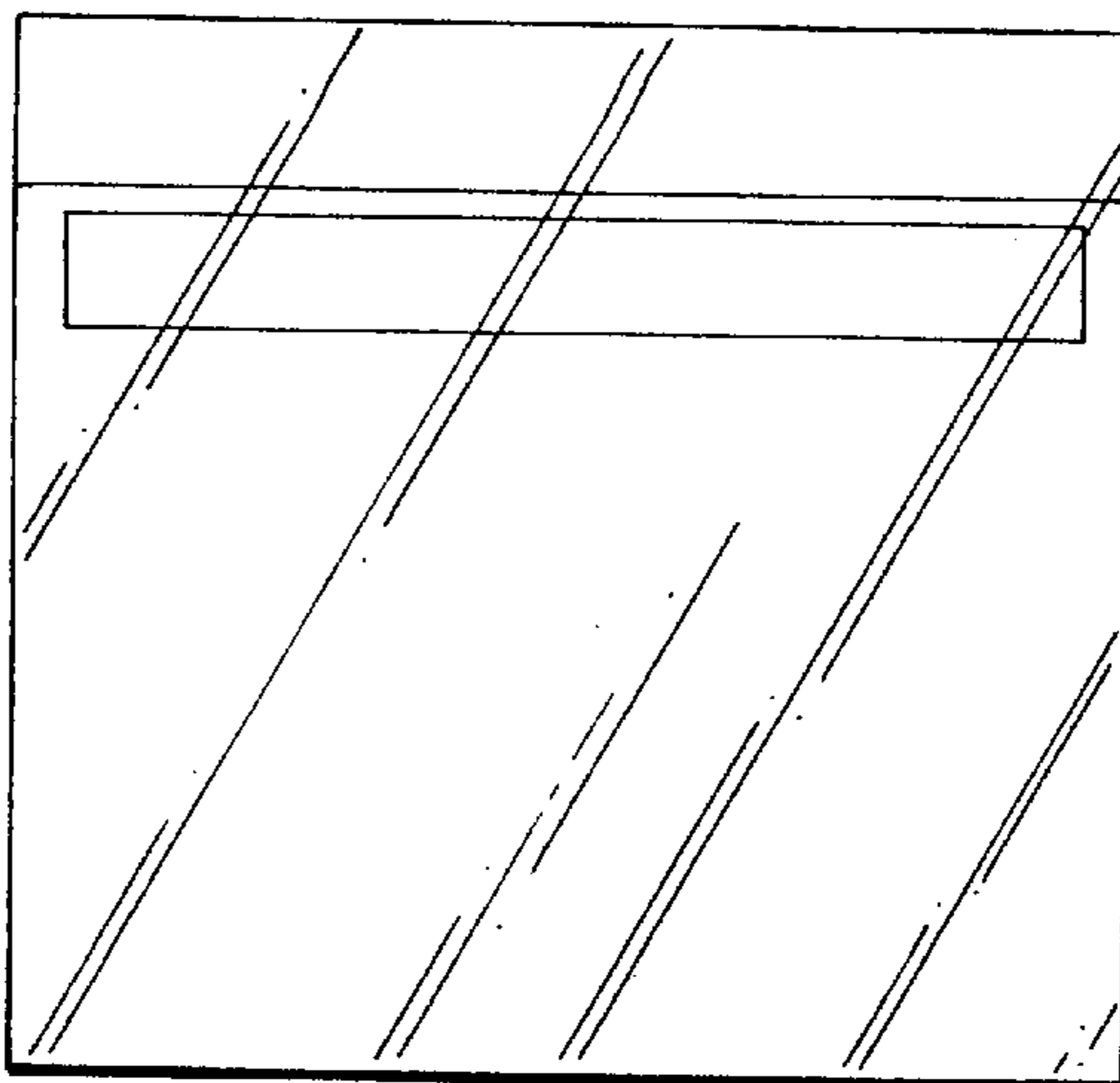


FIG. 2



FIG. 4

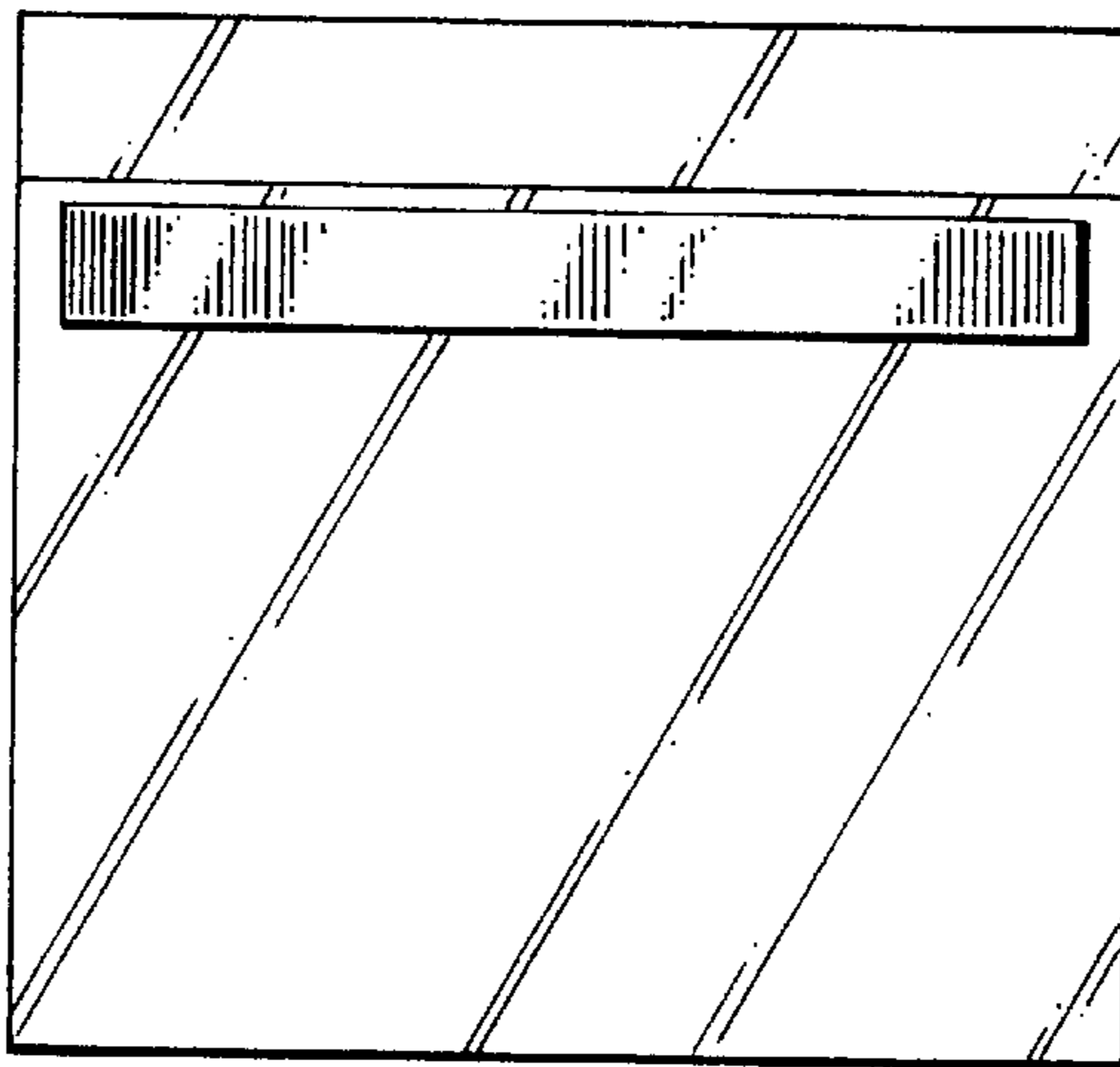


FIG. 1



FIG. 5

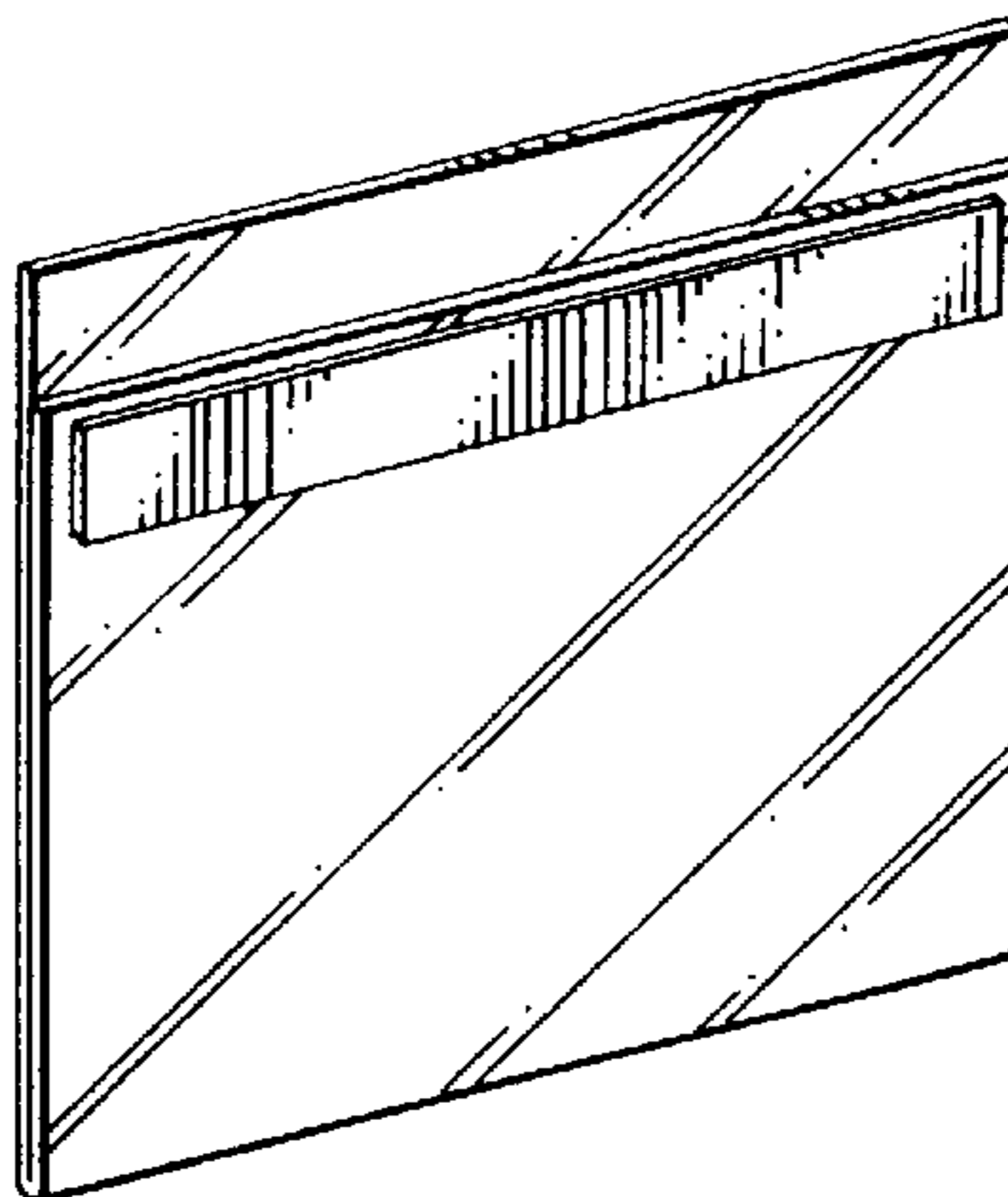


FIG. 6