



US00D415193S

United States Patent [19] Jones

[11] Patent Number: Des. 415,193

[45] Date of Patent: ** *Oct. 12, 1999

[54] SOLID INK STICK FOR A COLOR PRINTER

[75] Inventor: Brent R. Jones, Tualatin, Oreg.

[73] Assignee: Tektronix, Inc., Wilsonville, Oreg.

[*] Notice: This patent is subject to a terminal disclaimer.

[**] Term: 14 Years

[21] Appl. No.: 29/091,581

[22] Filed: Jul. 31, 1998

Related U.S. Application Data

[63] Continuation of application No. 29/068,935, Mar. 6, 1997, which is a continuation of application No. 29/033,835, Jan. 20, 1995, Pat. No. Des. 383,153, which is a continuation-in-part of application No. 29/022,542, May 6, 1994, abandoned.

[51] LOC (6) Cl. 18-02

[52] U.S. Cl. D18/56; 347/88

[58] Field of Search D18/56; 347/54, 347/88, 99; 106/31.29, 31.61

[56] References Cited

U.S. PATENT DOCUMENTS

- D. 212,542 10/1968 McCarthy .
- D. 300,673 4/1989 Rhoa et al. .
- D. 310,130 8/1990 van Kooten .
- D. 335,683 5/1993 Smith D18/56
- D. 346,821 5/1994 Smith D18/56
- D. 371,801 7/1996 Jones et al. D18/56
- D. 371,802 7/1996 Jones et al. D18/56
- D. 372,268 7/1996 Jones et al. D18/56
- D. 372,270 7/1996 Jones et al. D18/56

- D. 373,139 8/1996 Jones et al. D18/56
- D. 380,771 7/1997 Jones D18/56
- D. 383,153 9/1997 Jones et al. D18/56
- D. 383,154 9/1997 Jones et al. D18/56
- D. 402,308 12/1998 Yao et al. D18/56
- 4,823,146 4/1989 Cooke et al. .
- 5,123,961 6/1992 Yamamoto .
- 5,223,860 6/1993 Loofbourow et al. .
- 5,270,730 12/1993 Yaegashi et al. .
- 5,341,164 8/1994 Miyazawa et al. 347/88
- 5,405,438 4/1995 Fujioka .
- 5,510,821 4/1996 Jones et al. 347/88
- 5,734,402 3/1998 Rousseau et al. 347/88
- 5,784,089 7/1998 Crawford 347/88

FOREIGN PATENT DOCUMENTS

- 564742A2 10/1993 European Pat. Off. 347/88

Primary Examiner—Cathy Anne MacCormac
Attorney, Agent, or Firm—Charles F. Moore

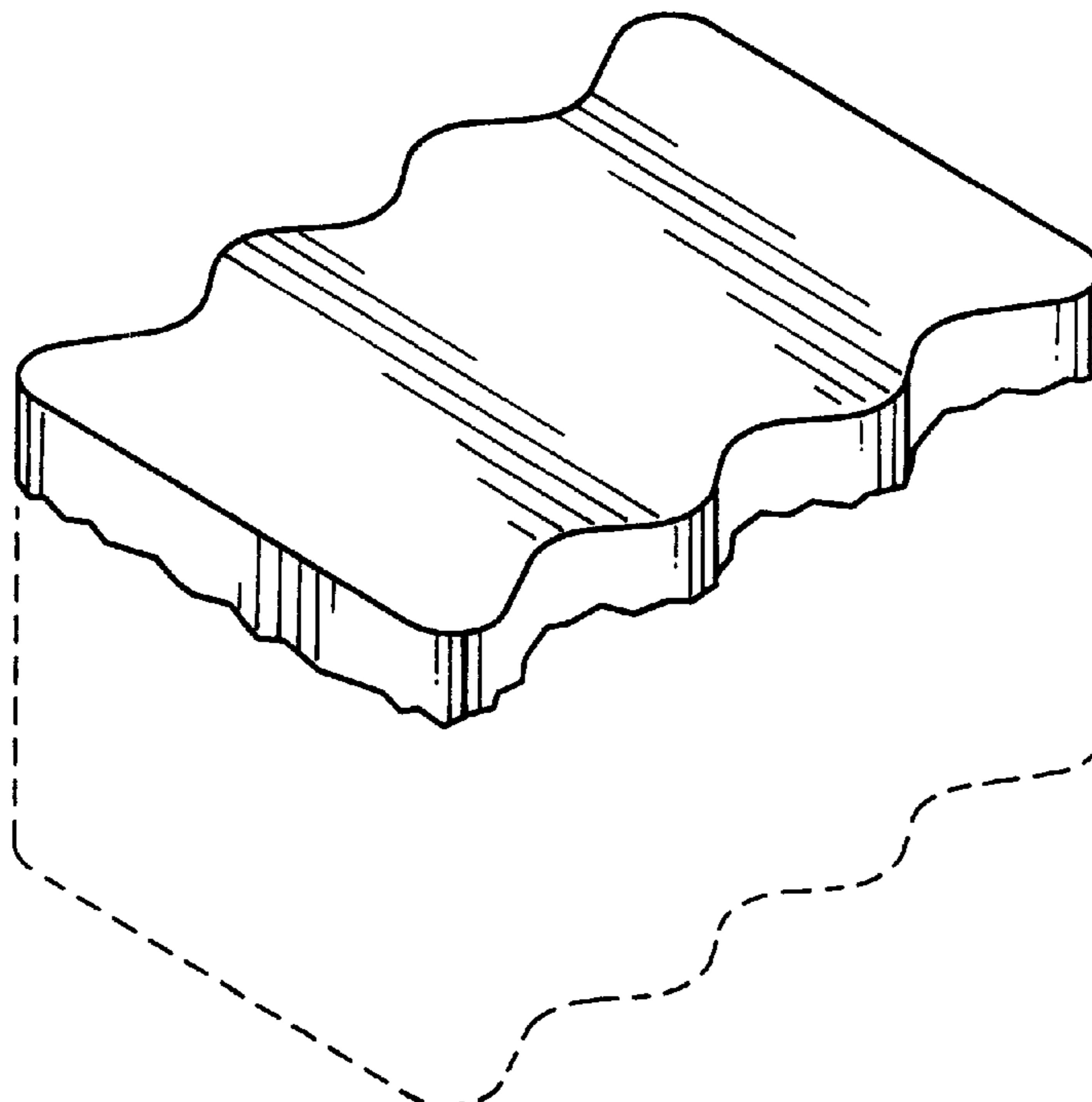
[57] CLAIM

The ornamental design for a solid ink stick for a color printer, as shown and described.

DESCRIPTION

FIG. 1 is a front perspective view of a solid ink stick for a color printer showing the top surface and the contour of the side surfaces of my new design;
 FIG. 2 is a top plan view thereof;
 FIG. 3 is a side elevational view thereof, the opposite side being identical; and,
 FIG. 4 is an end elevational view thereof, the opposite end being identical.
 The broken line portions of FIGS. 1, 3 and 4 are environmental only and form no part of the claimed design.

1 Claim, 1 Drawing Sheet



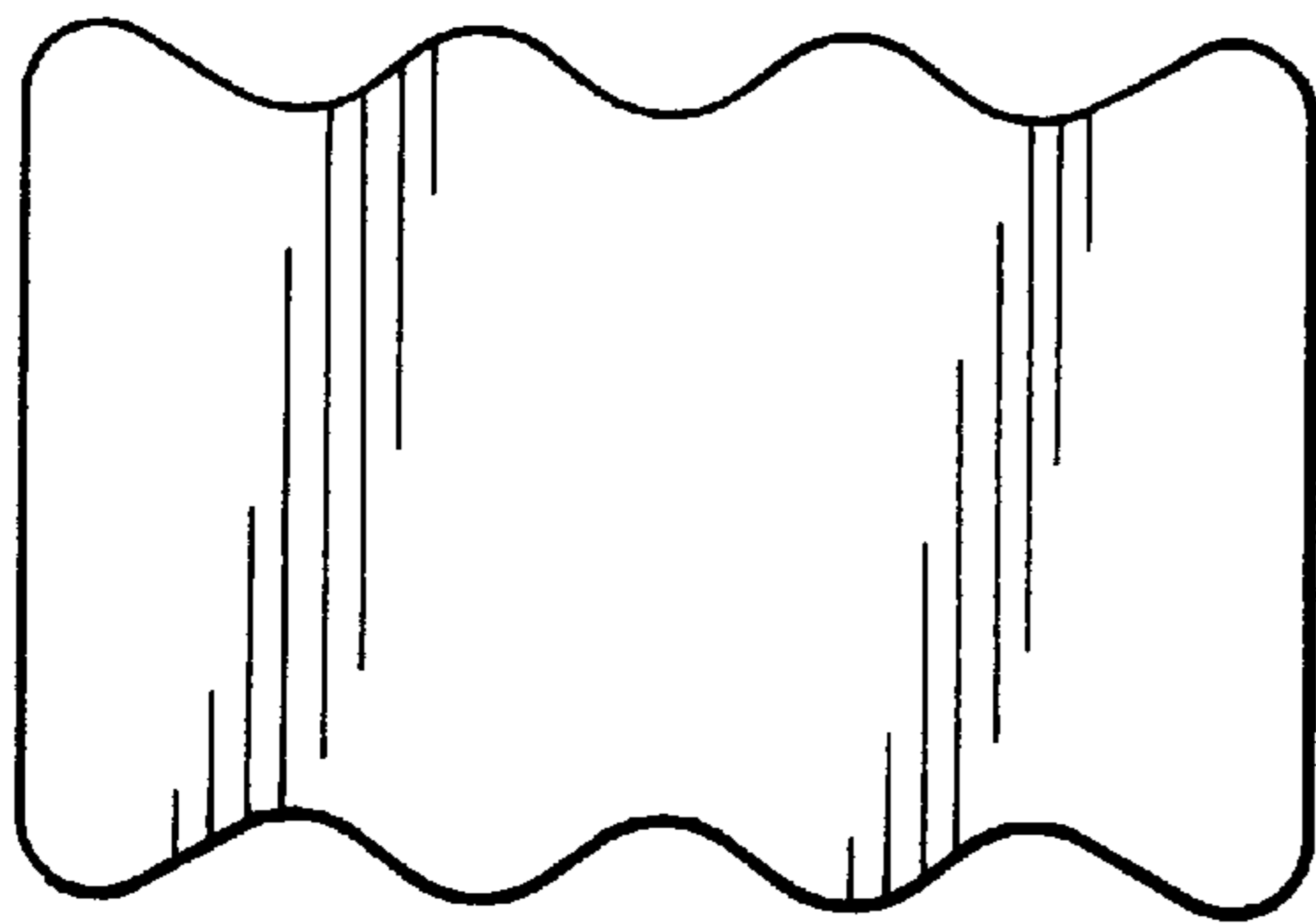
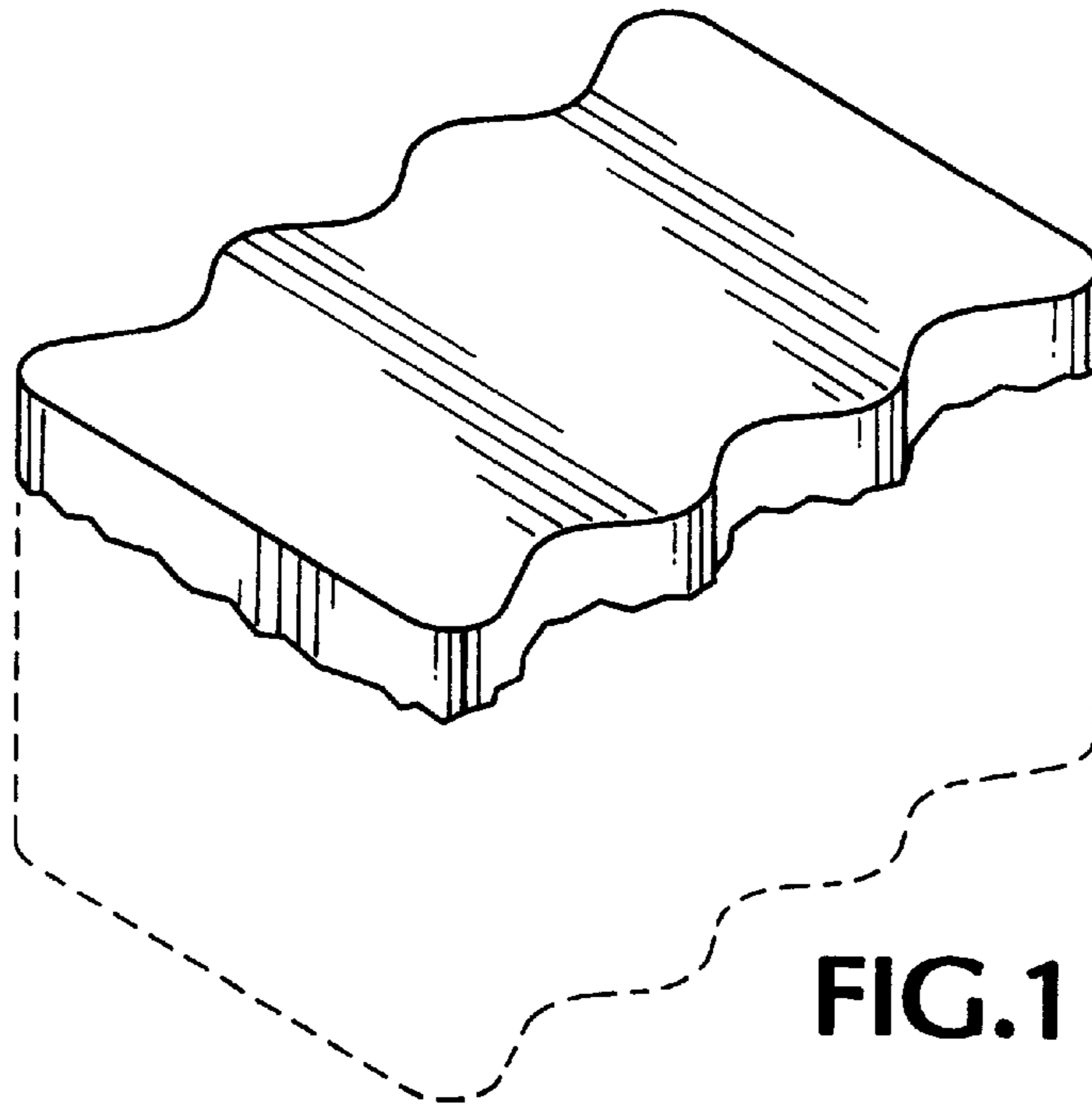


FIG. 2

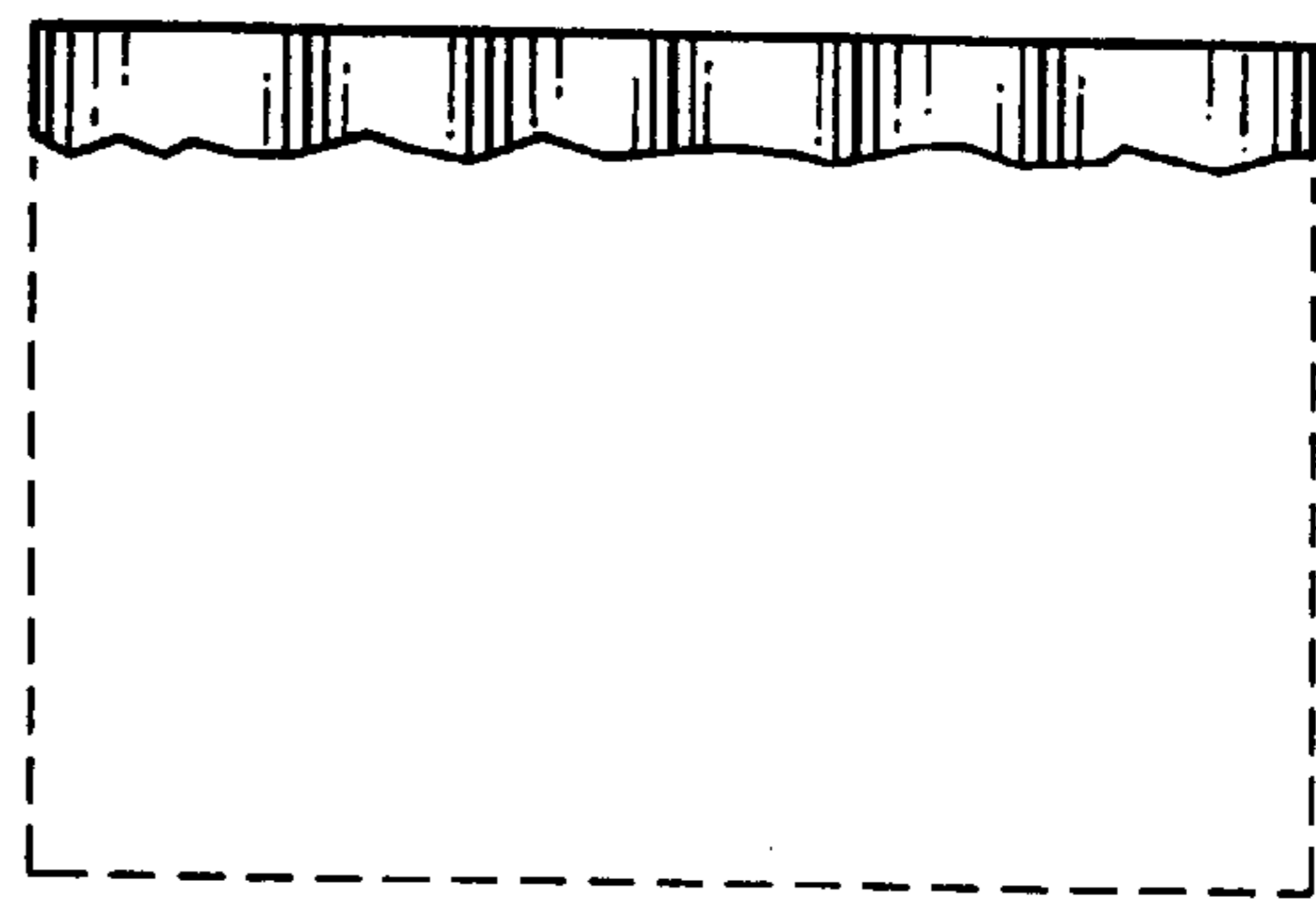


FIG. 3

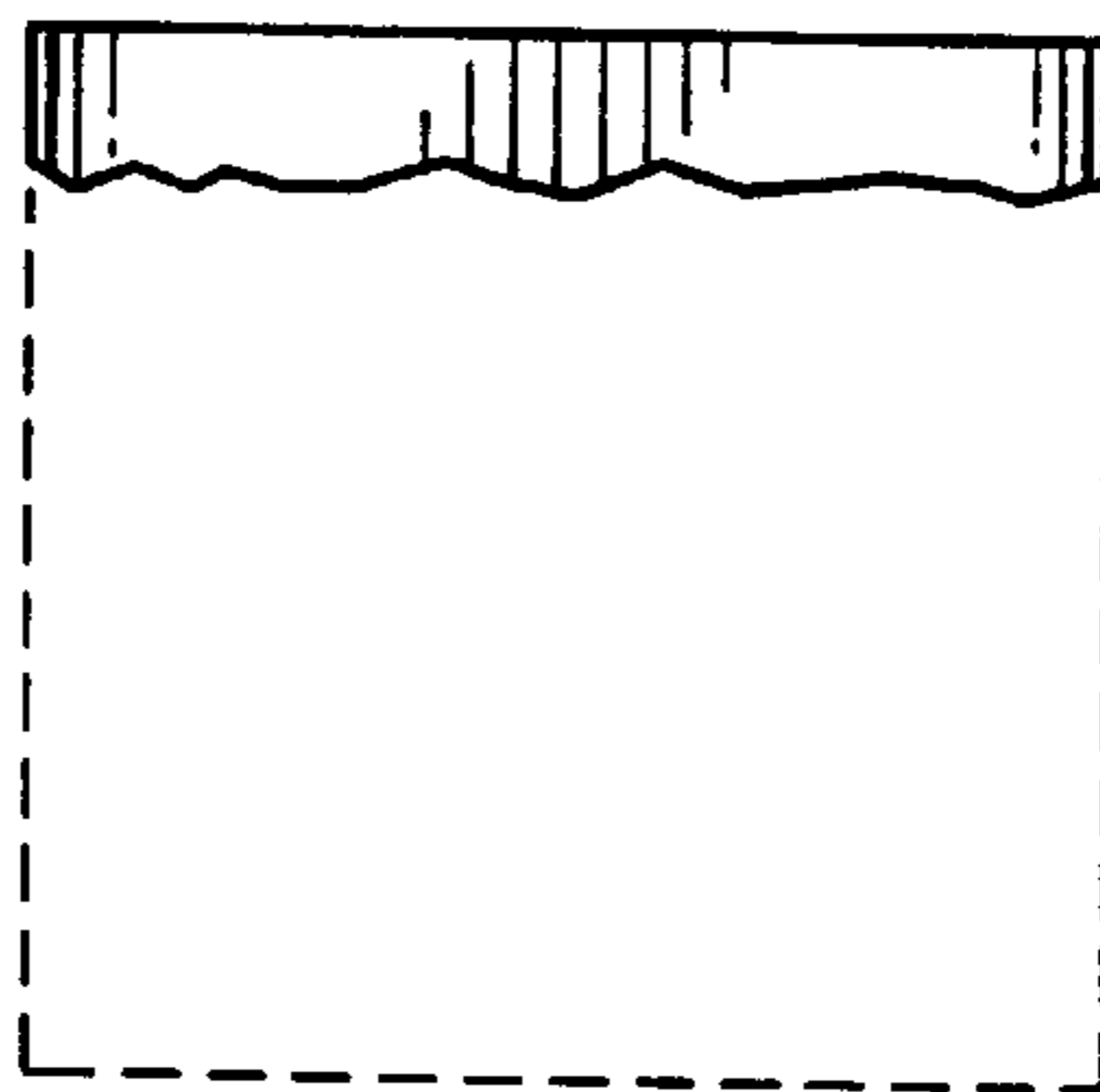


FIG. 4