



US00D415191S

United States Patent [19]
Okada

[11] **Patent Number: Des. 415,191**
[45] **Date of Patent: ** Oct. 12, 1999**

[54] **TONER CARTRIDGE**

D. 379,829 6/1997 Hayashi D18/56

[75] Inventor: **Mitsuharu Okada**, Osaka, Japan

Primary Examiner—Caron D. Veynar
Attorney, Agent, or Firm—Jordan and HamburgLLP

[73] Assignee: **Mita Industrial Co., Ltd.**, Osaka-fu, Japan

[**] Term: **14 Years**

[57] **CLAIM**

The ornamental design for a toner cartridge, as shown and described.

[21] Appl. No.: **29/090,223**

[22] Filed: **Jul. 2, 1998**

DESCRIPTION

[30] **Foreign Application Priority Data**

Jan. 14, 1998 [JP] Japan 10-833

FIG. 1 is a perspective view of a toner cartridge;

[51] **LOC (6) Cl.** **16-03**

FIG. 2 is a front view of the toner cartridge;

[52] **U.S. Cl.** **D18/43**

FIG. 3 is a rear view of the toner cartridge;

[58] **Field of Search** D18/36, 40, 43,
D18/56; 399/24, 25, 27, 28, 61, 99, 106,
262

FIG. 4 is a top view of the toner cartridge;

FIG. 5 is a bottom view of the toner cartridge;

FIG. 6 is a left side view of the toner cartridge; and,

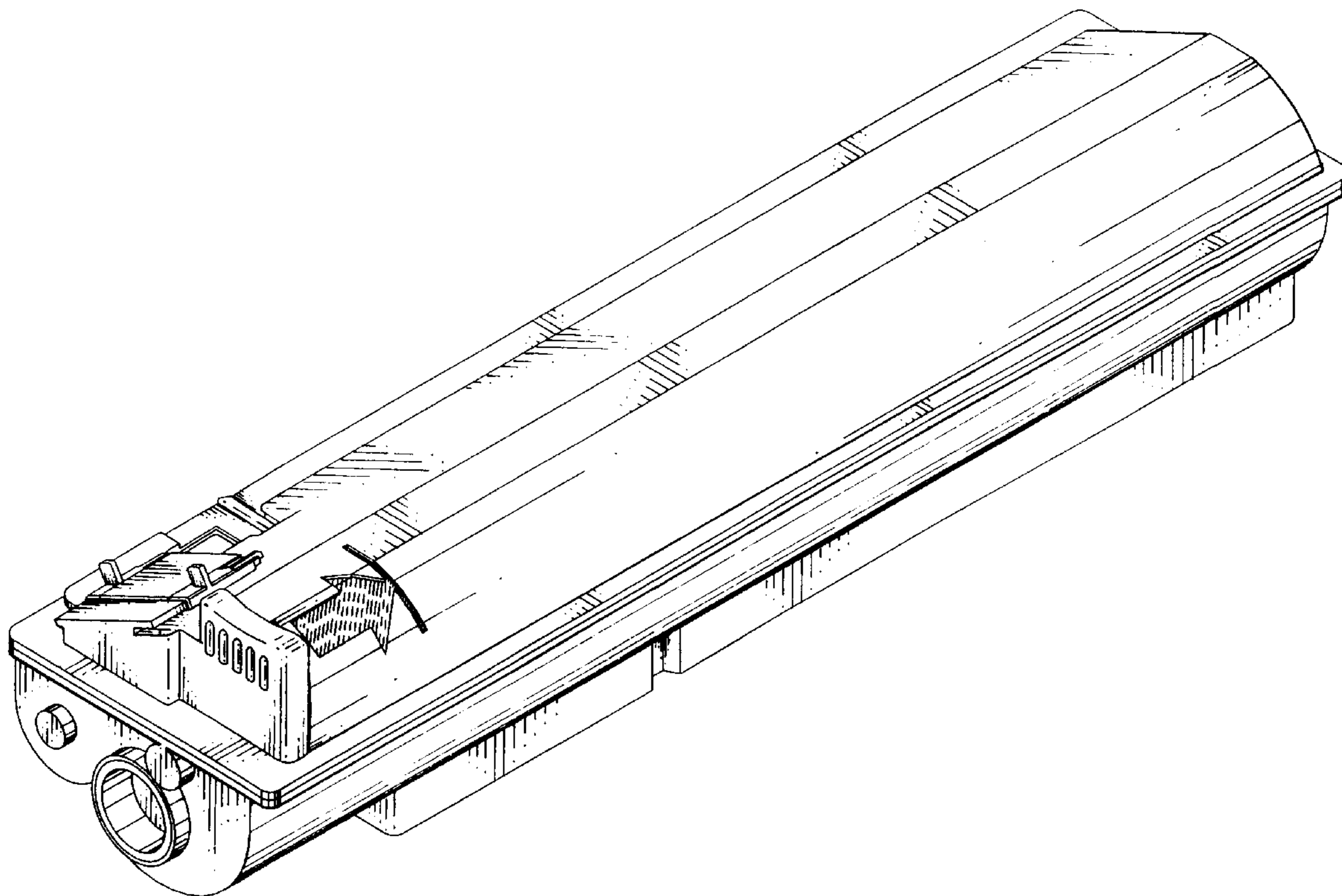
FIG. 7 is a right view of the toner cartridge.

[56] **References Cited**

U.S. PATENT DOCUMENTS

D. 366,277 1/1996 Kawamura D18/43

1 Claim, 4 Drawing Sheets



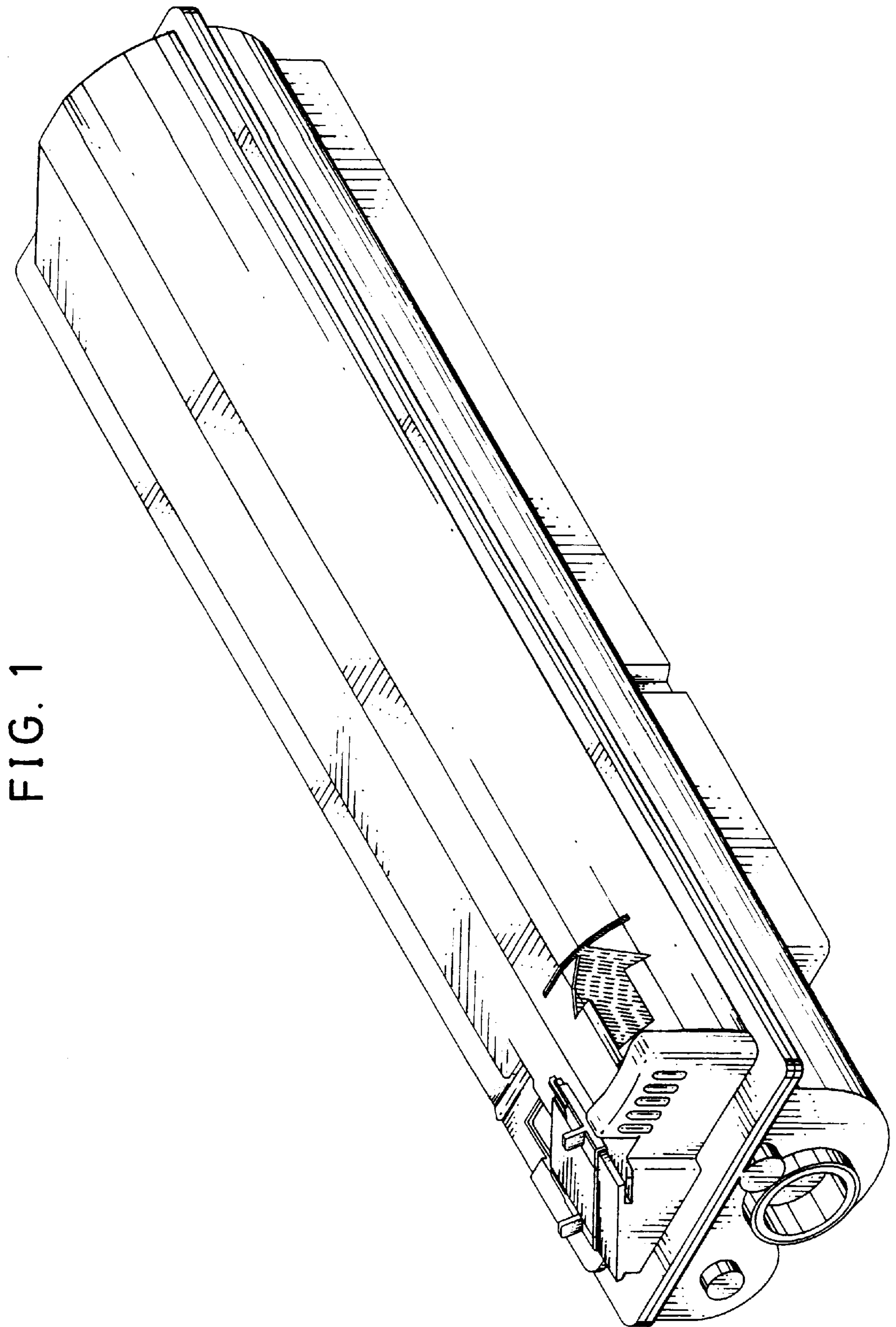


FIG. 1

FIG. 2



FIG. 3

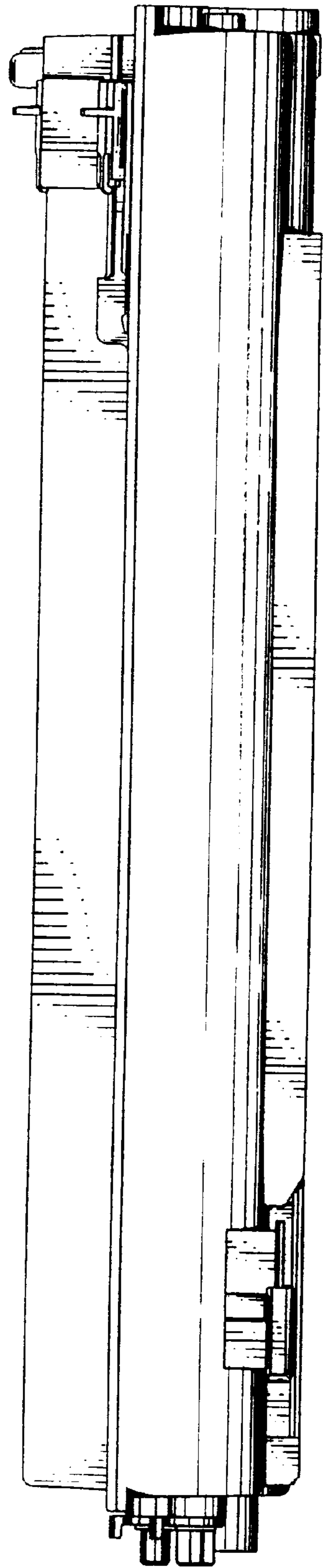


FIG. 4

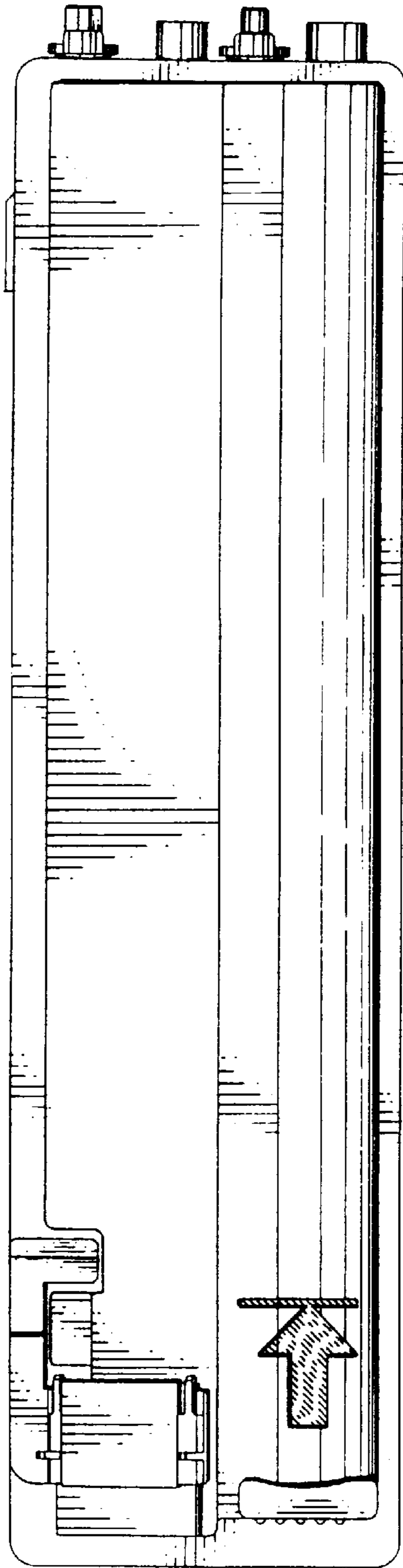


FIG. 5

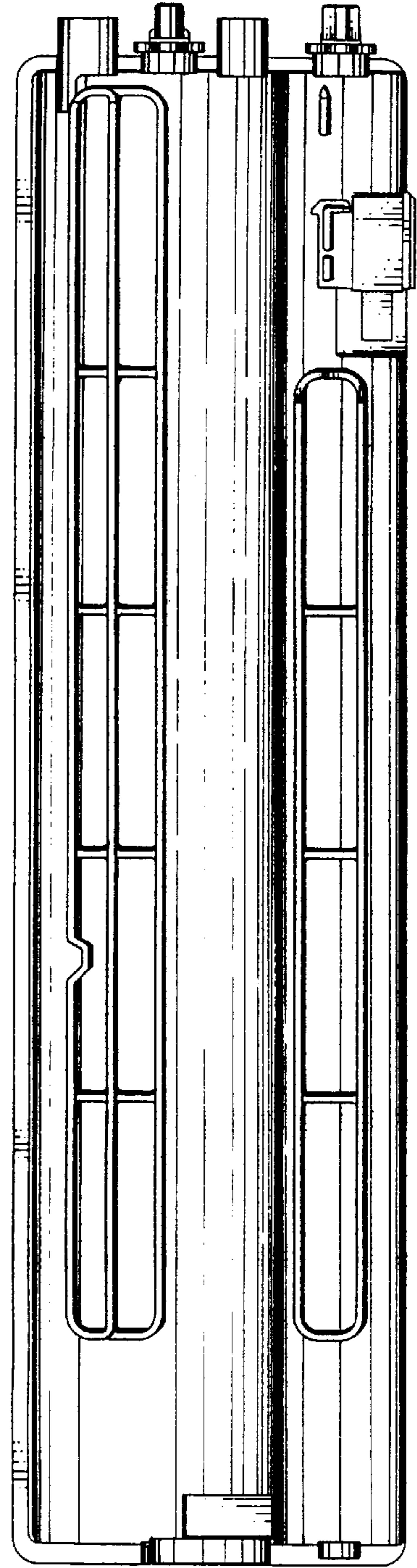


FIG. 7

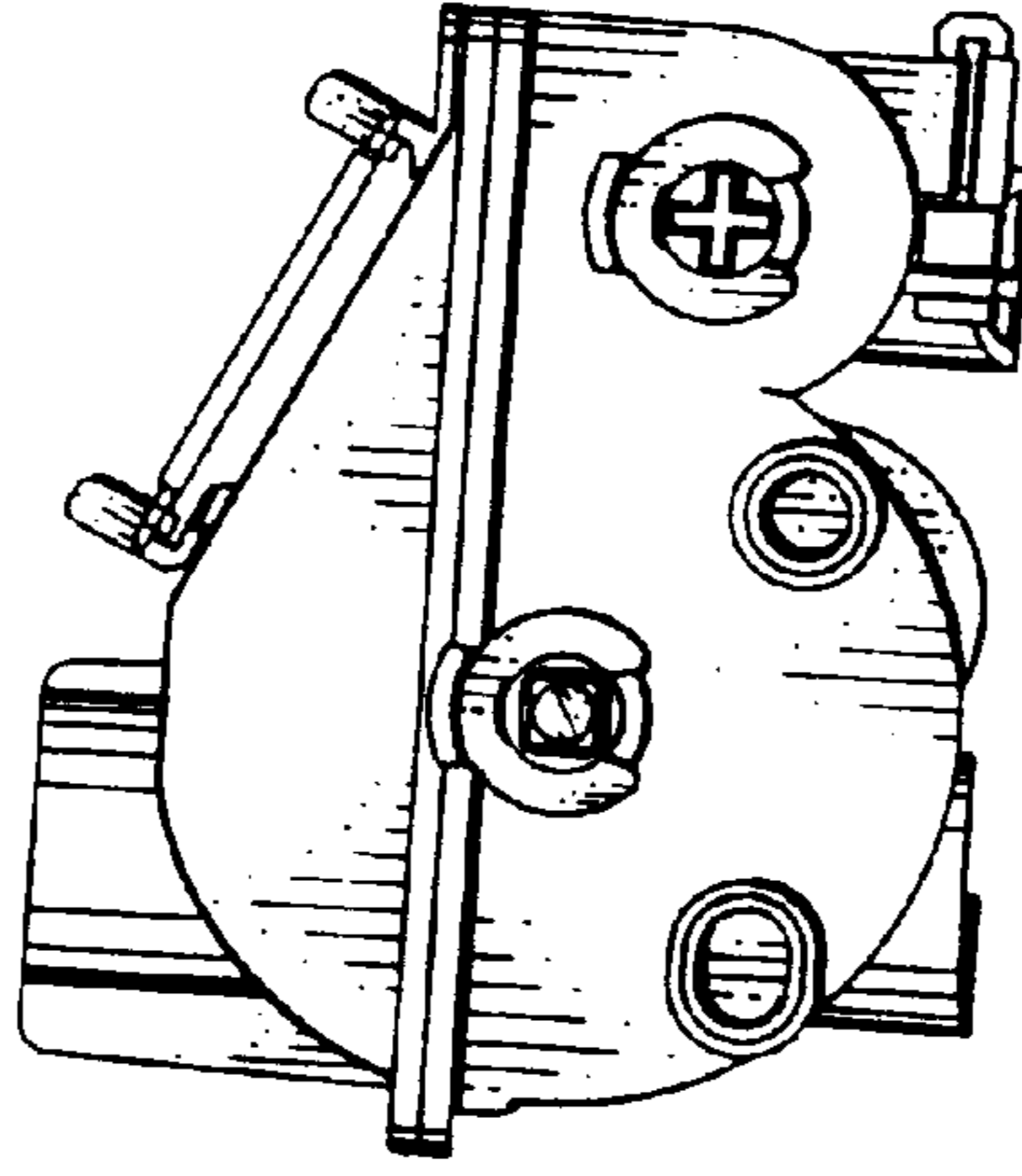


FIG. 6

