



US00D415182S

# United States Patent [19]

[11] **Patent Number: Des. 415,182**

Rogers et al.

[45] **Date of Patent: \*\* Oct. 12, 1999**

[54] **HYDROCYCLONE FEED ASSEMBLY HOUSING**

4,652,363 3/1987 Miller ..... 209/734  
5,383,941 1/1995 Nemedi ..... 210/787 X

[75] Inventors: **Brian Leslie Rogers**, Woronora Heights; **Michael Arthur West**, Frenchs Forest, both of Australia

*Primary Examiner*—Antoine Duval Davis  
*Attorney, Agent, or Firm*—Cesari and McKenna, LLP

[73] Assignee: **Warman International Limited**, Australia

[57] **CLAIM**

The ornamental design for a hydrocyclone feed assembly housing, as shown.

[\*\*] Term: **14 Years**

**DESCRIPTION**

[21] Appl. No.: **29/091,746**

FIG. 1 is a perspective view from above of a hydrocyclone feed assembly housing showing the new design; FIGS. 2 and 3 are perspective views from below thereof; FIG. 4 is a top plan view thereof; FIG. 5 is a bottom plan view thereof; FIG. 6 is an elevational view of a first side thereof; FIG. 7 is an elevational view of a second side thereof; FIG. 8 is an elevational view of a third side thereof, and, FIG. 9 is an elevational view of a fourth side thereof.

[22] Filed: **Aug. 5, 1998**

[51] **LOC (6) Cl.** ..... **15-09**

[52] **U.S. Cl.** ..... **D15/147**

[58] **Field of Search** ..... D15/147; 209/11, 209/721, 728, 732, 734; 210/175, 512.2, 787

[56] **References Cited**

**U.S. PATENT DOCUMENTS**

3,335,860 8/1967 Baxter, Jr. .... 209/734

**1 Claim, 4 Drawing Sheets**

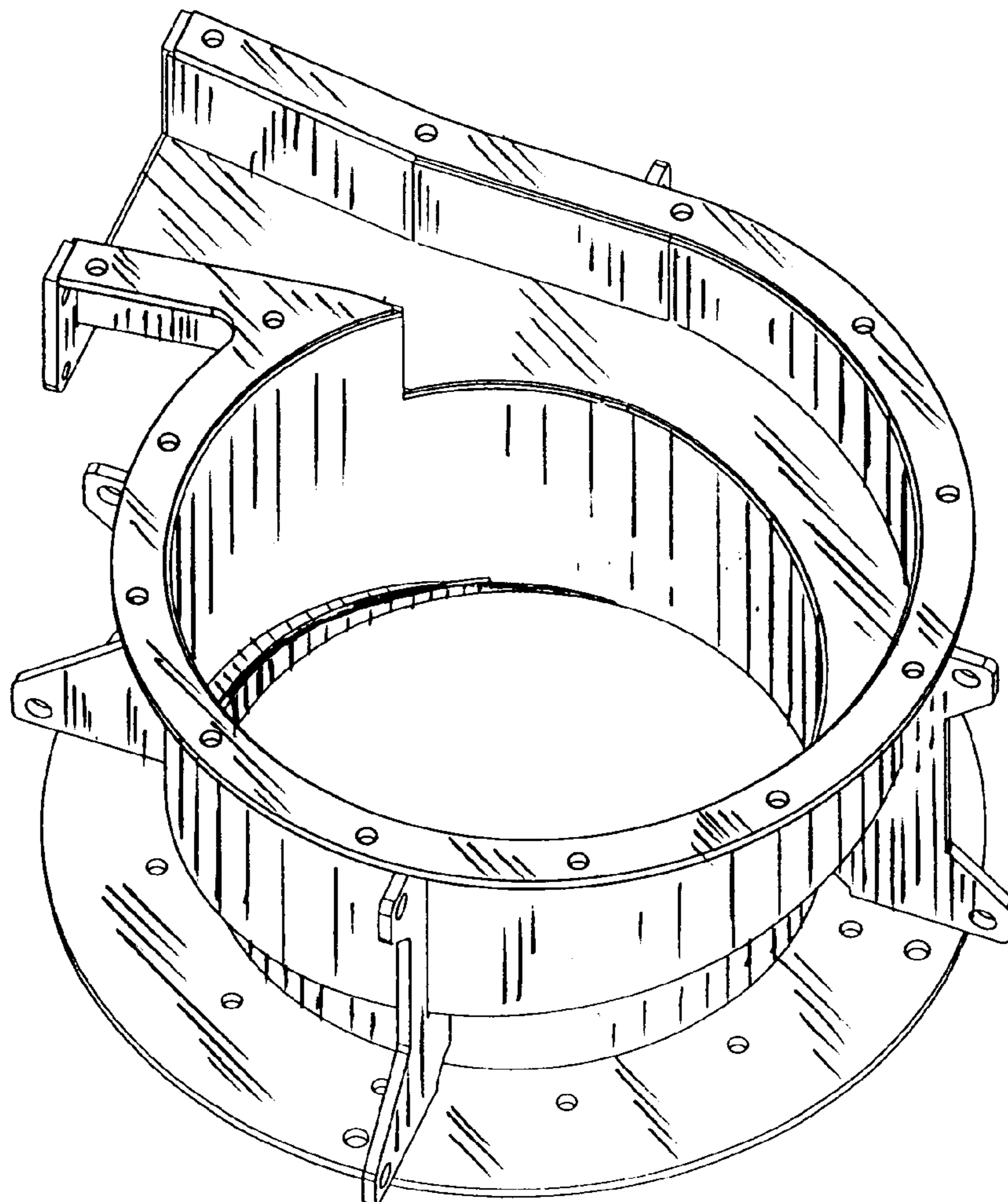


FIG. 1

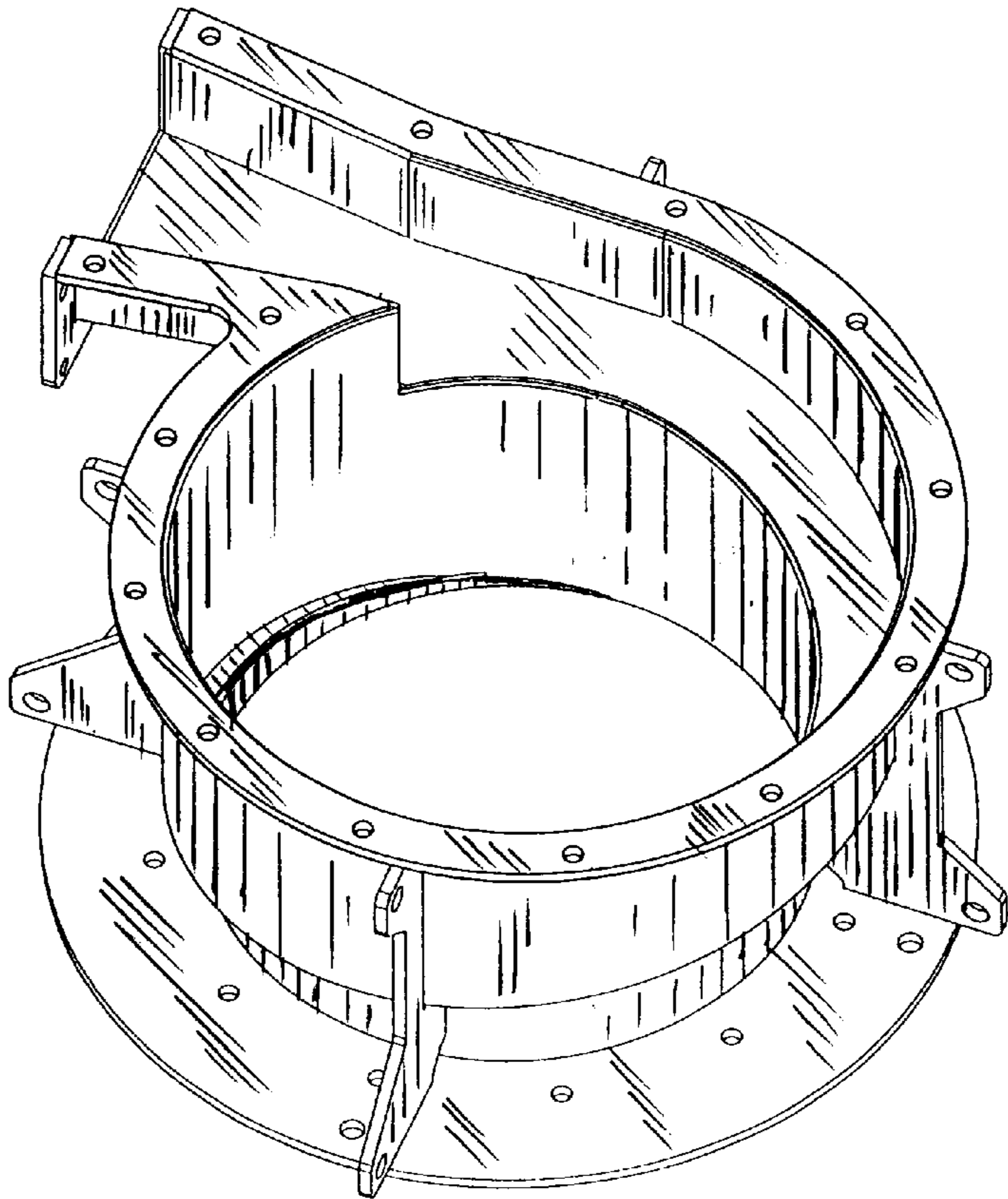


FIG. 2

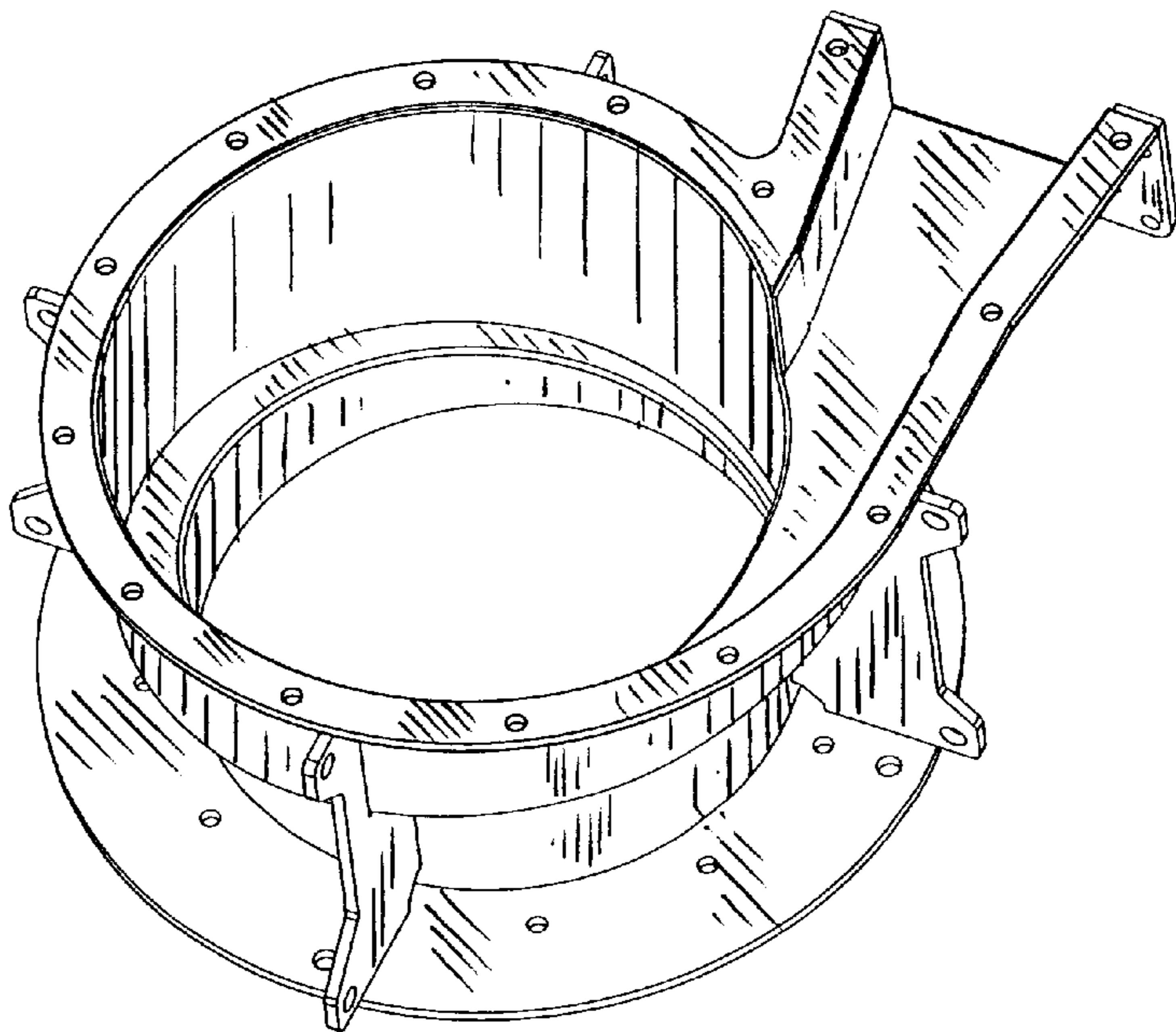


FIG. 3

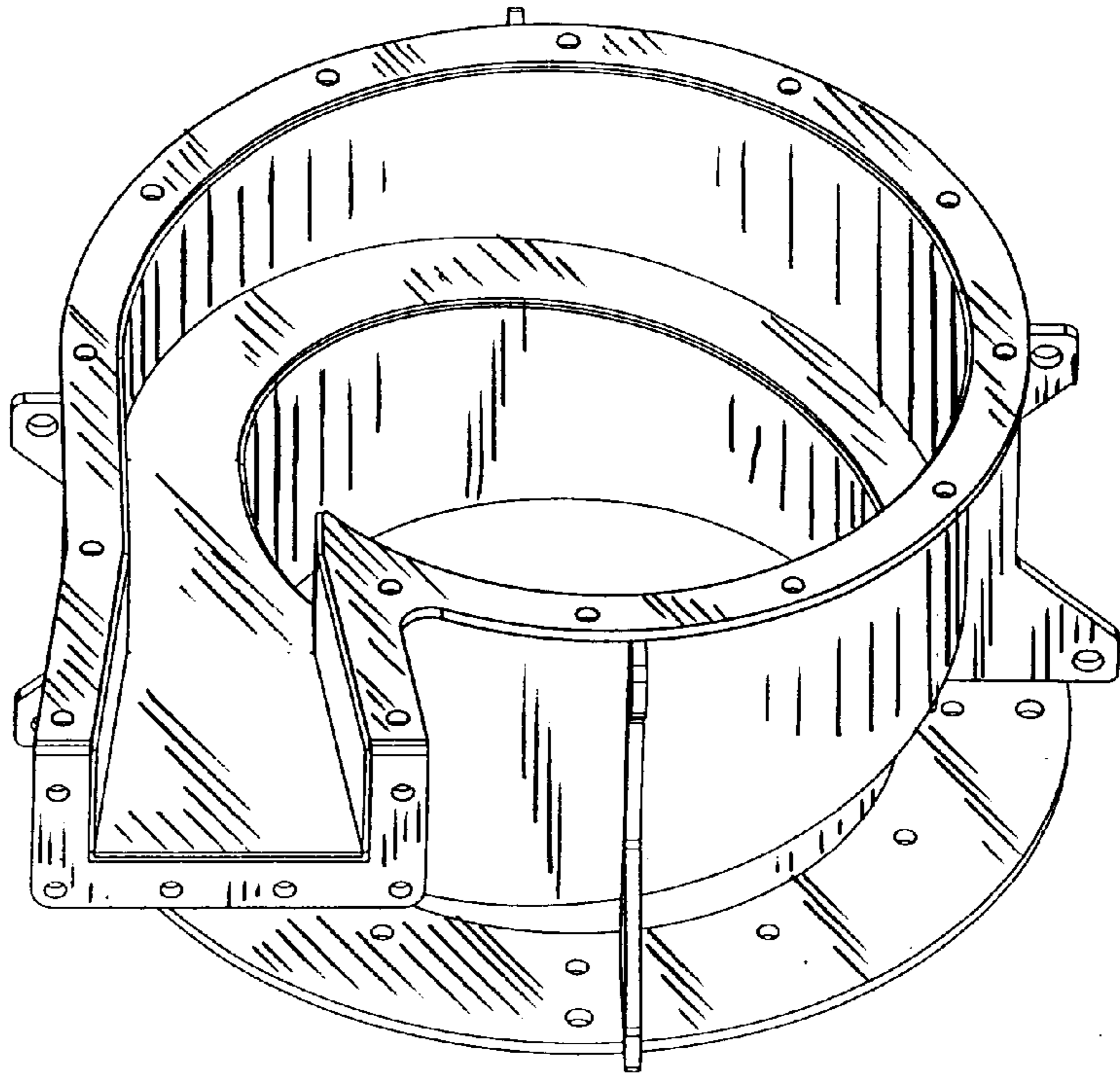
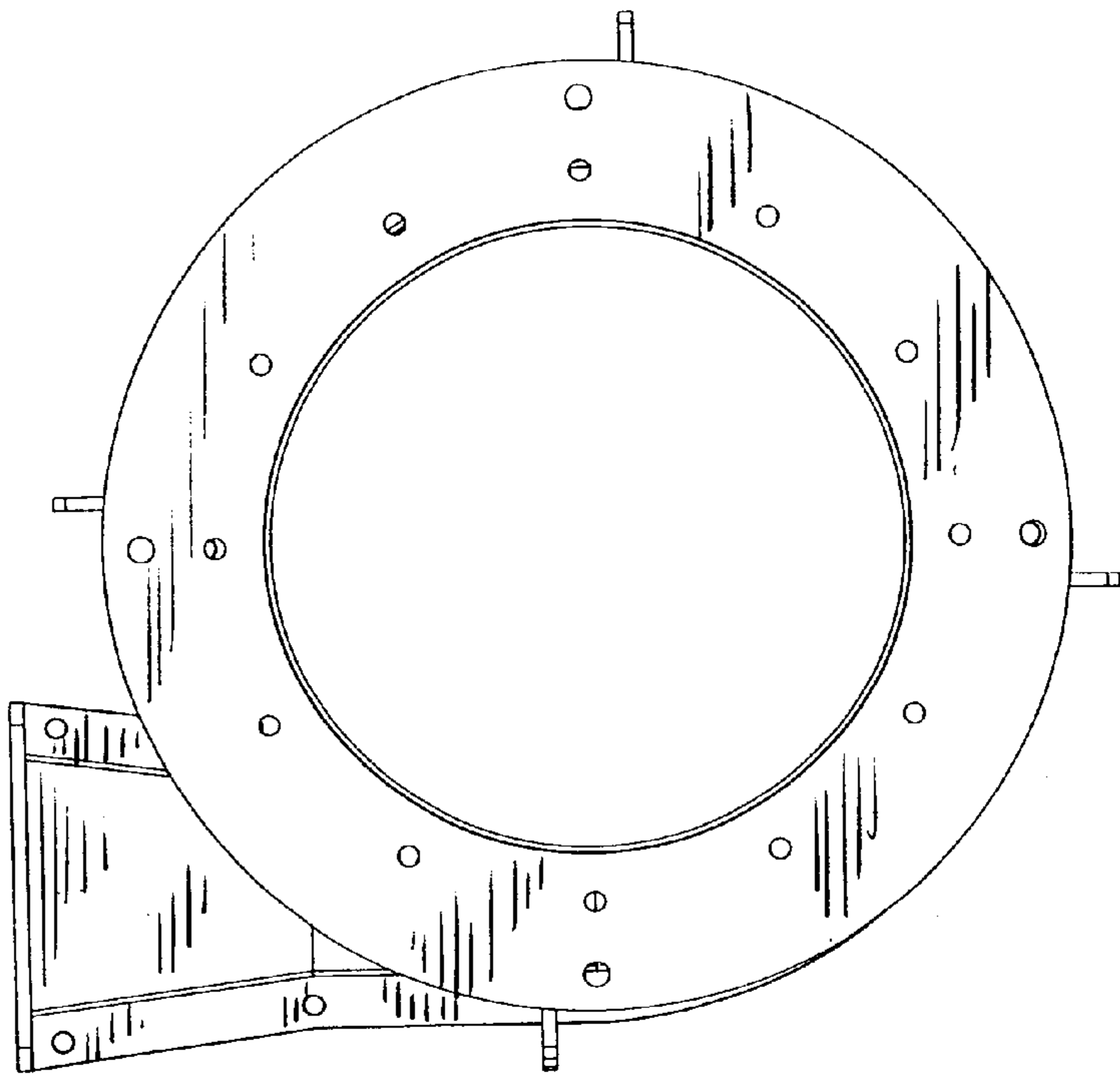


FIG. 4



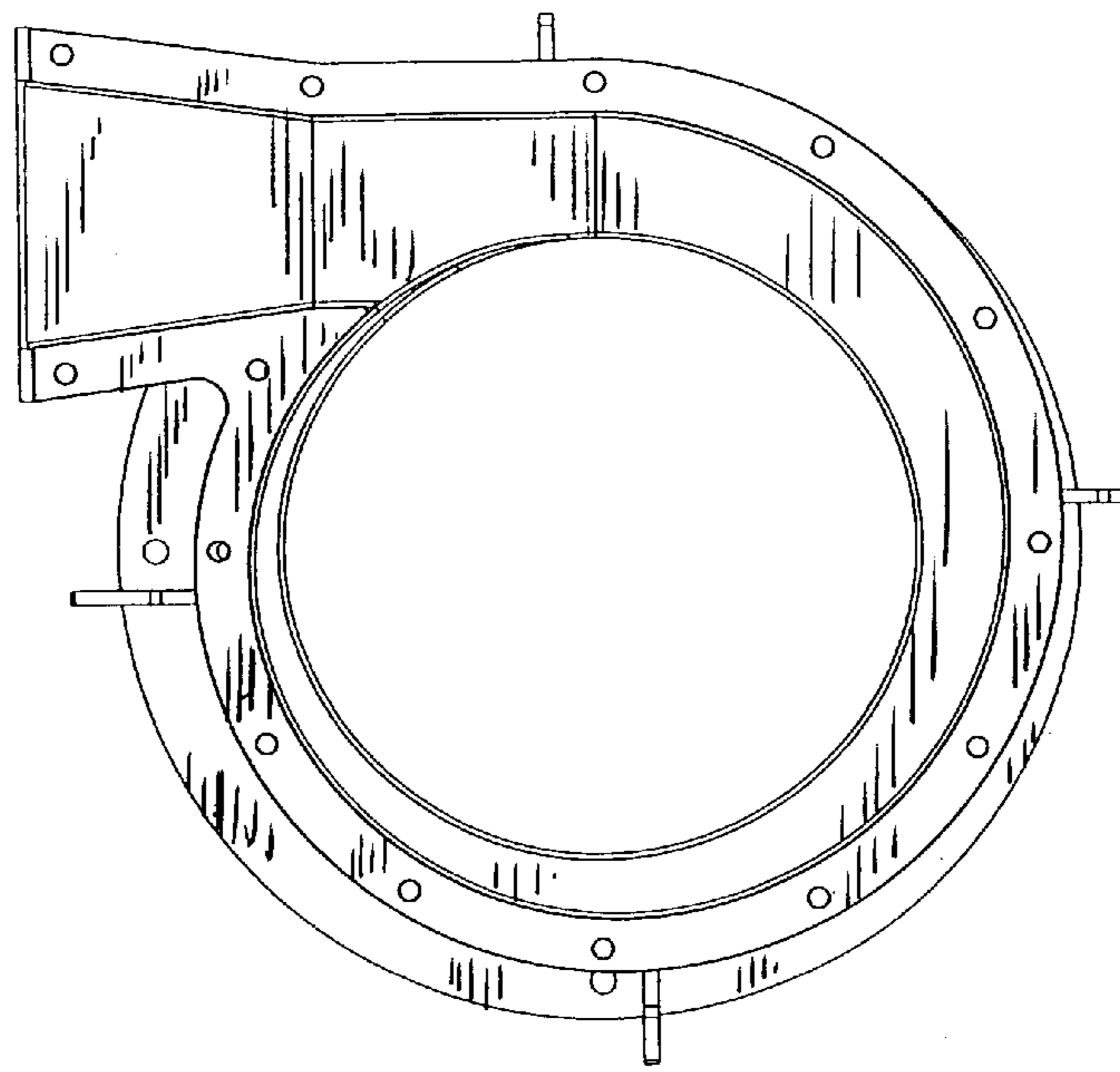


FIG. 5

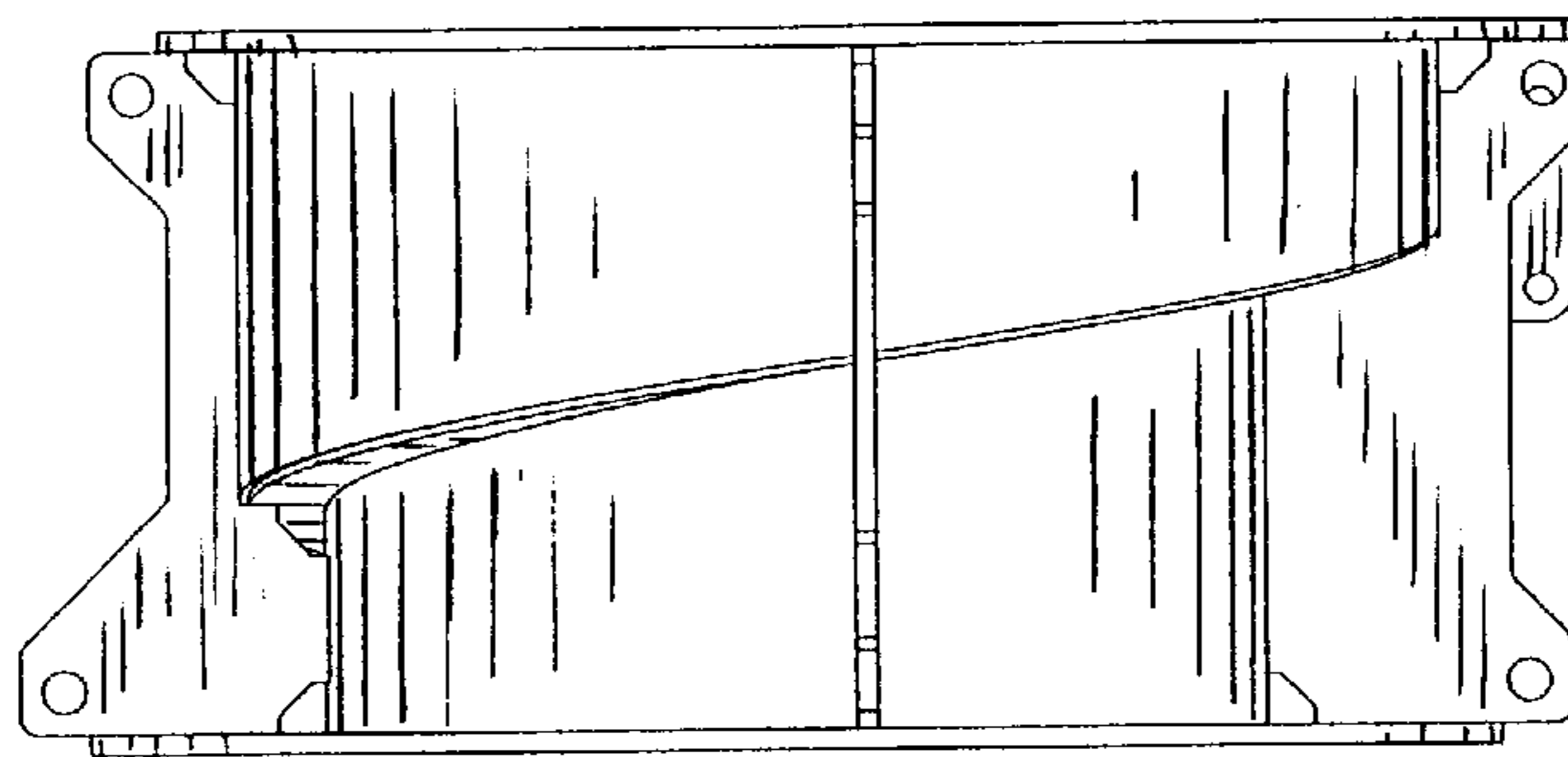


FIG. 6

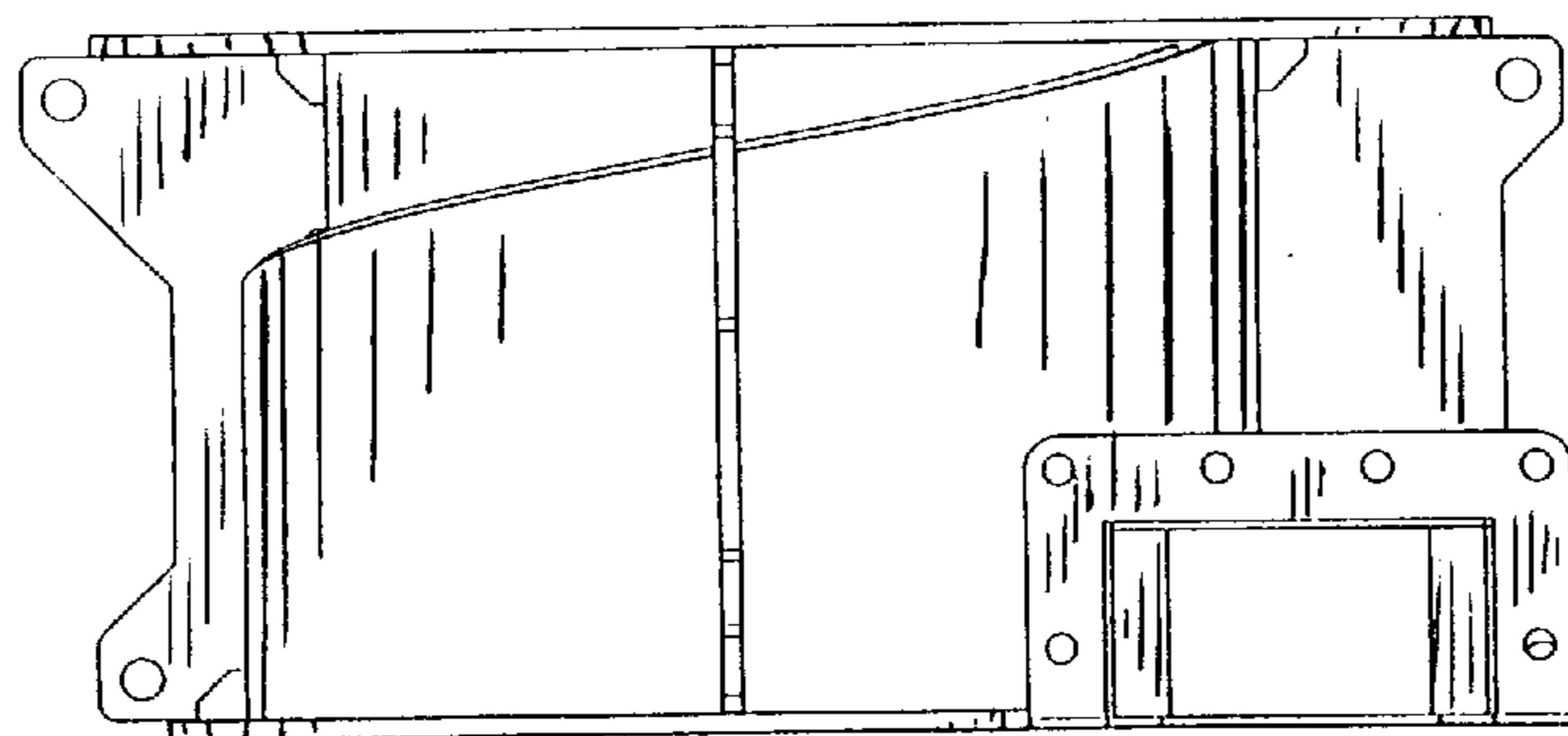


FIG. 7

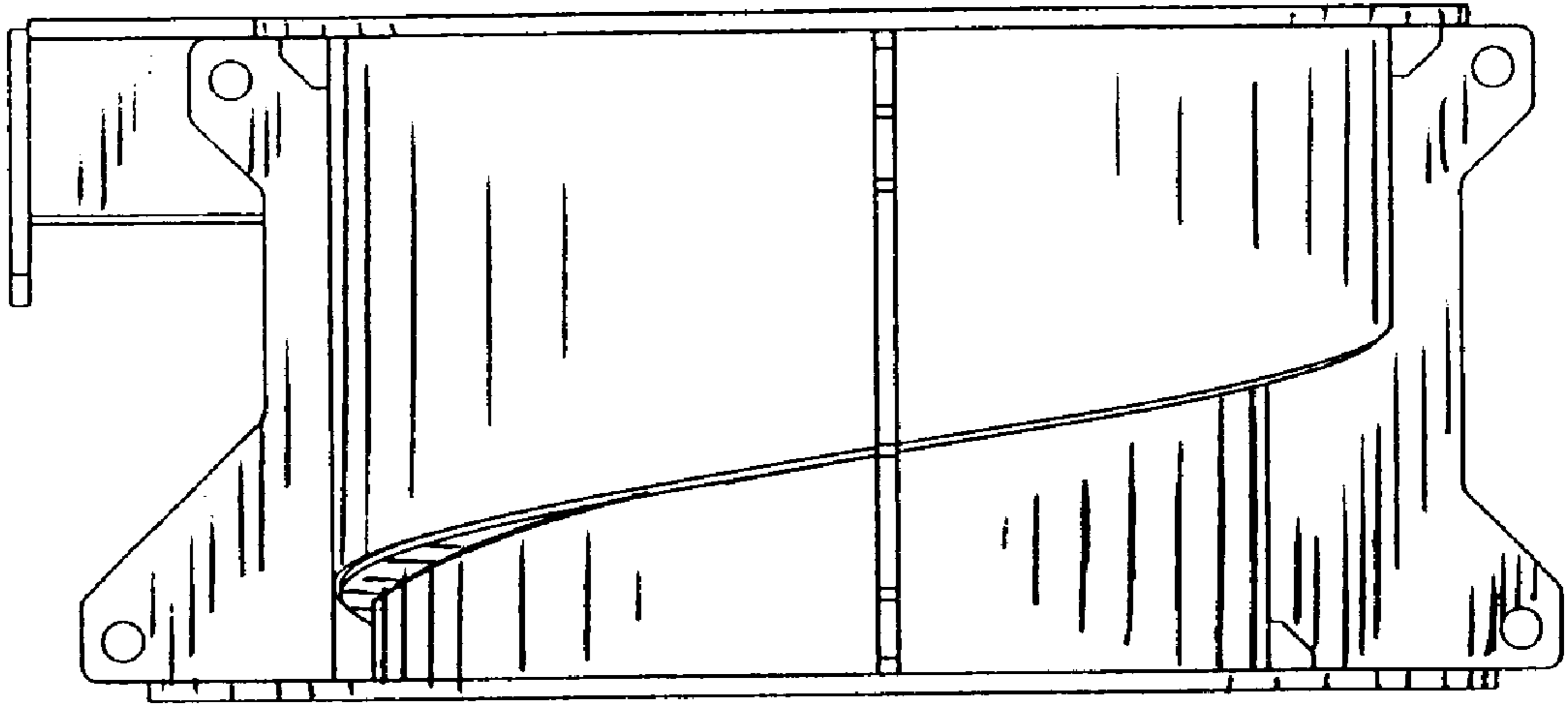


FIG. 8

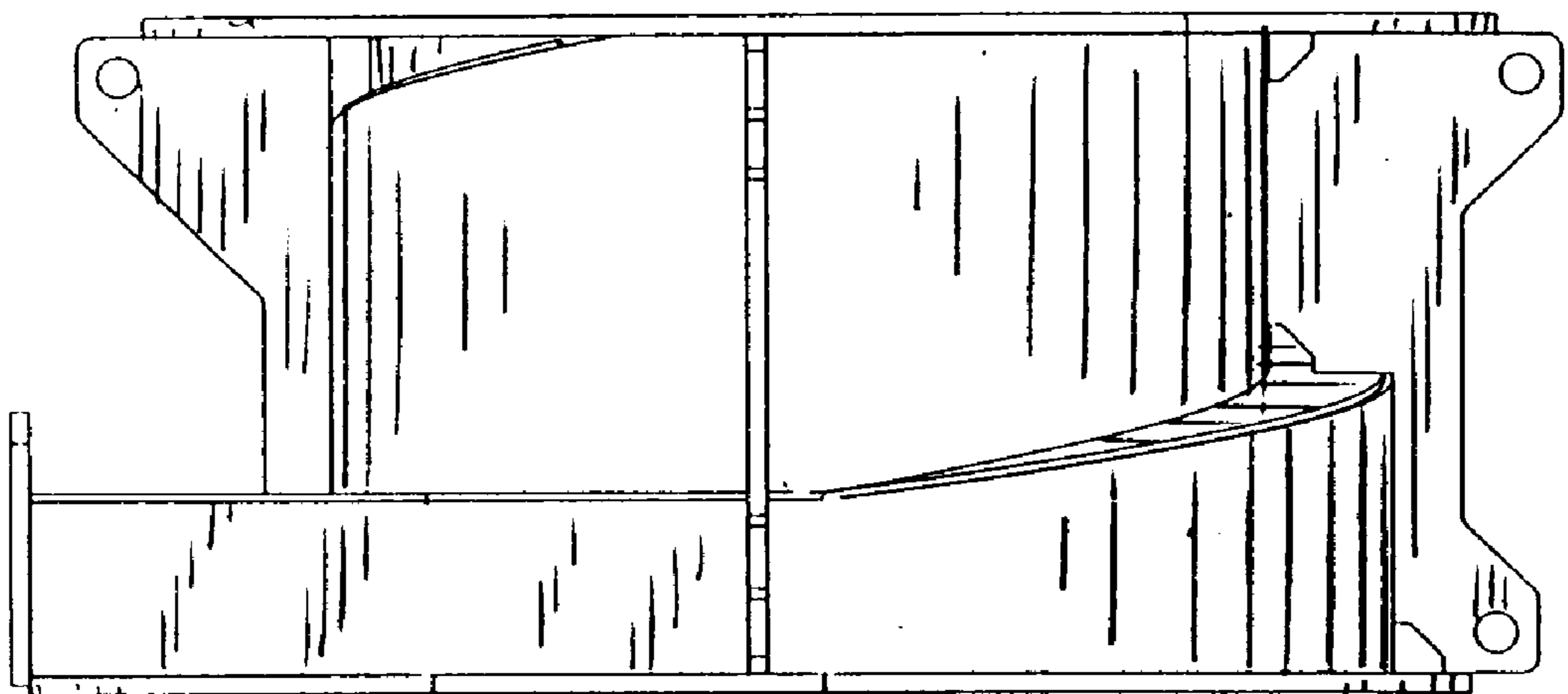


FIG. 9