



US00D415178S

United States Patent [19]
Wiman

[11] **Patent Number: Des. 415,178**

[45] **Date of Patent: ** Oct. 12, 1999**

[54] **TURNING INSERT**

[75] Inventor: **Jörgen Wiman**, Sandviken, Sweden

[73] Assignee: **Sandvik Aktiebolag**, Sandviken, Sweden

[**] Term: **14 Years**

[21] Appl. No.: **29/093,432**

[22] Filed: **Sep. 10, 1998**

[30] **Foreign Application Priority Data**

Mar. 10, 1998 [SE] Sweden 98570

[51] **LOC (6) Cl.** **15-09**

[52] **U.S. Cl.** **D15/139**

[58] **Field of Search** D15/139; 407/100,
407/113-117

[56] **References Cited**

U.S. PATENT DOCUMENTS

5,810,521 9/1998 Pantzar et al. 407/114

Primary Examiner—Antoine Duval Davis
Attorney, Agent, or Firm—Burns, Doane, Swecker & Mathis, L.L.P.

[57] **CLAIM**

The ornamental design for a turning insert, as shown and described.

DESCRIPTION

FIG. 1 is a top perspective view of a turning insert showing my new design;

FIG. 2 is a top plan view thereof;

FIG. 3 is a bottom plan view thereof;

FIG. 4 is a side elevational view thereof; and,

FIG. 5 is a further side elevational view thereof in a rotated position.

1 Claim, 1 Drawing Sheet

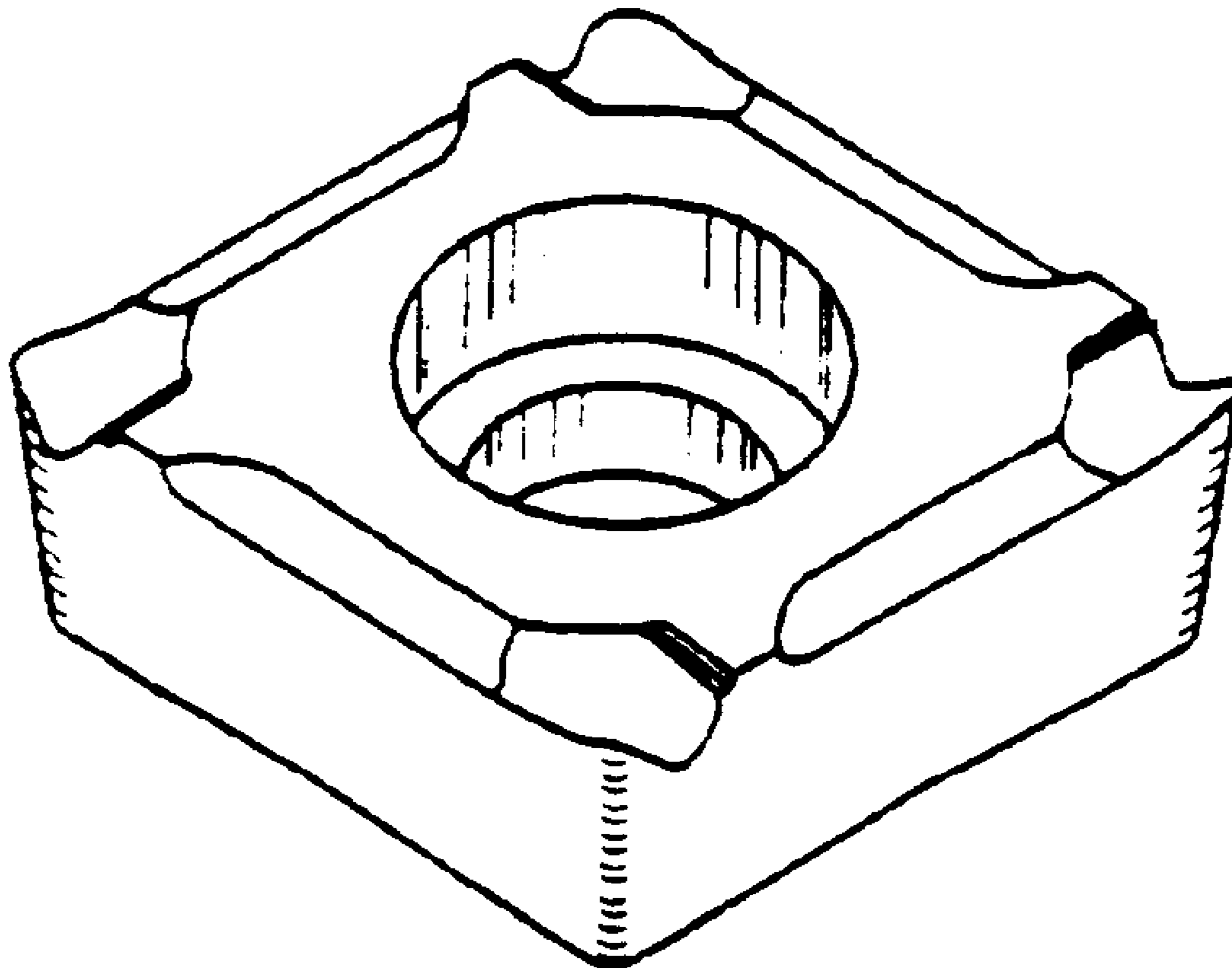


FIG. 1

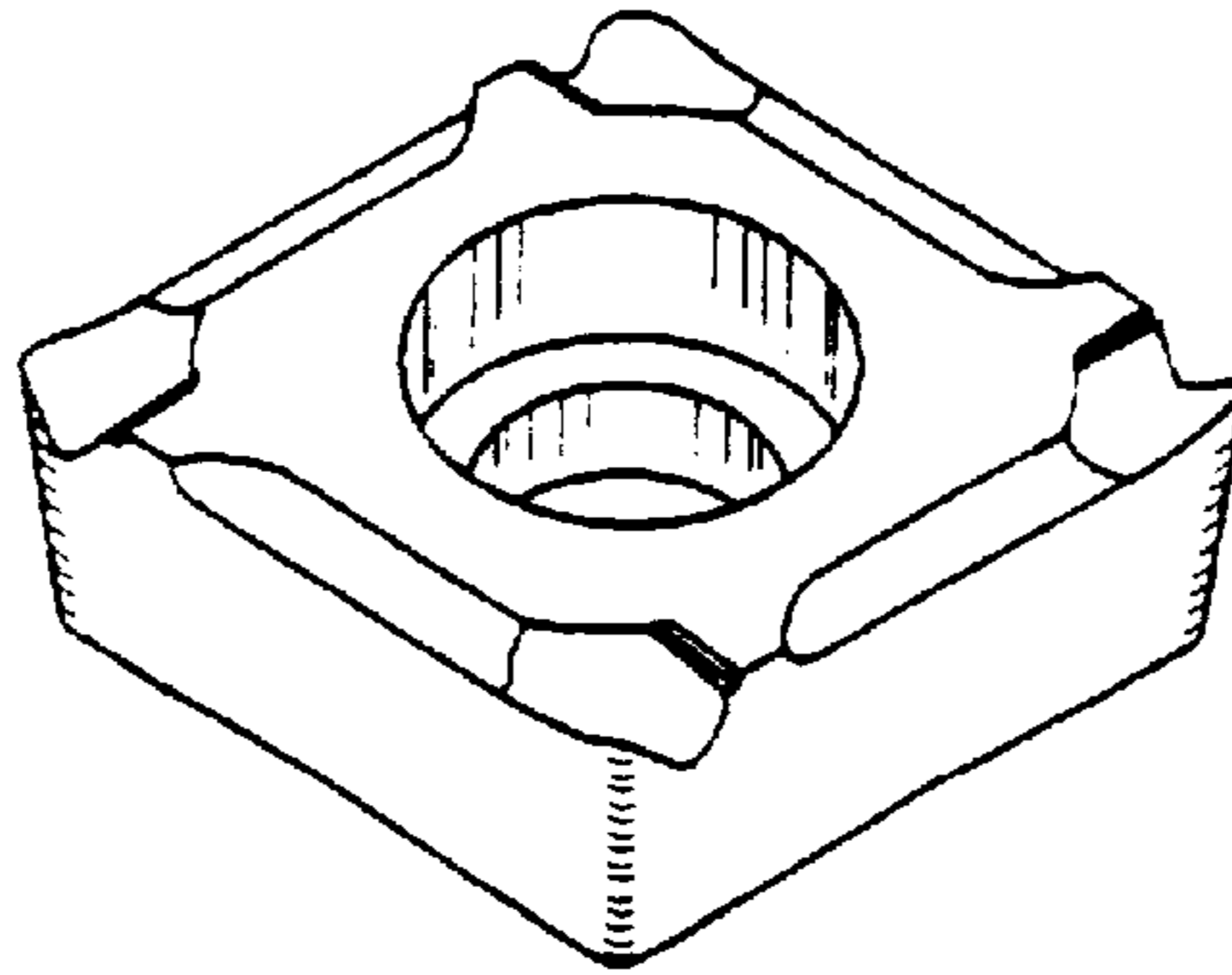


FIG. 2

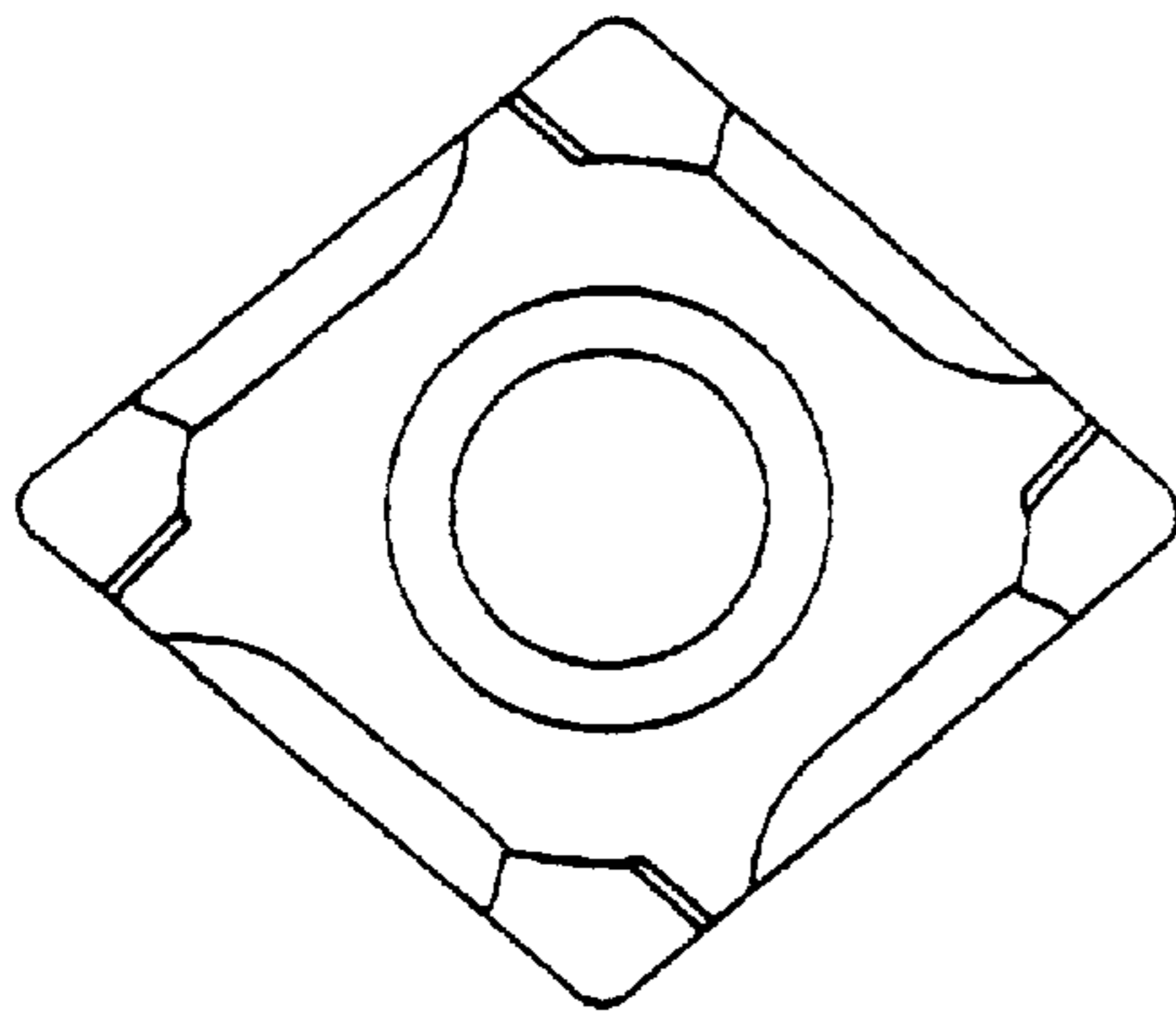


FIG. 3

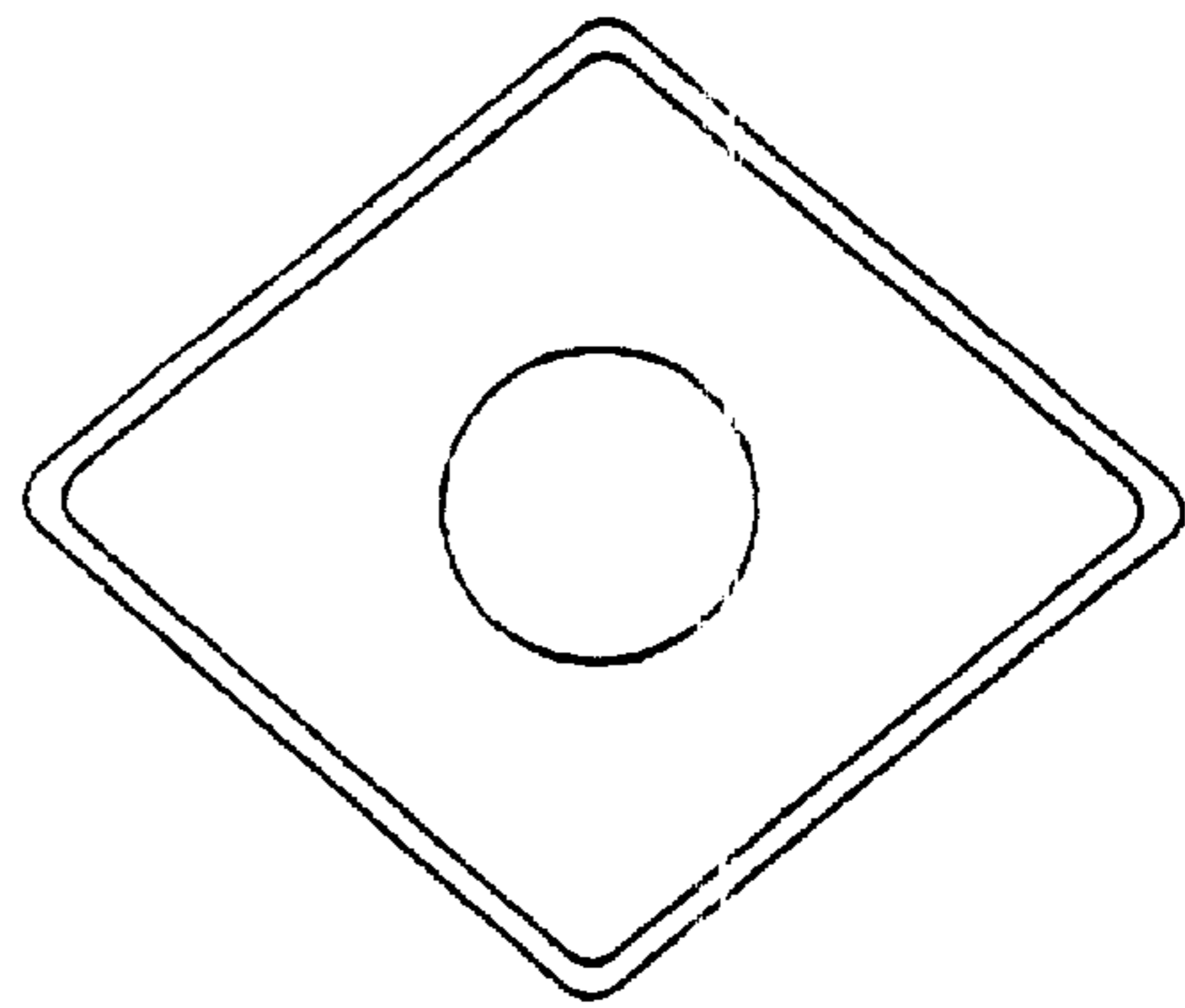


FIG. 4

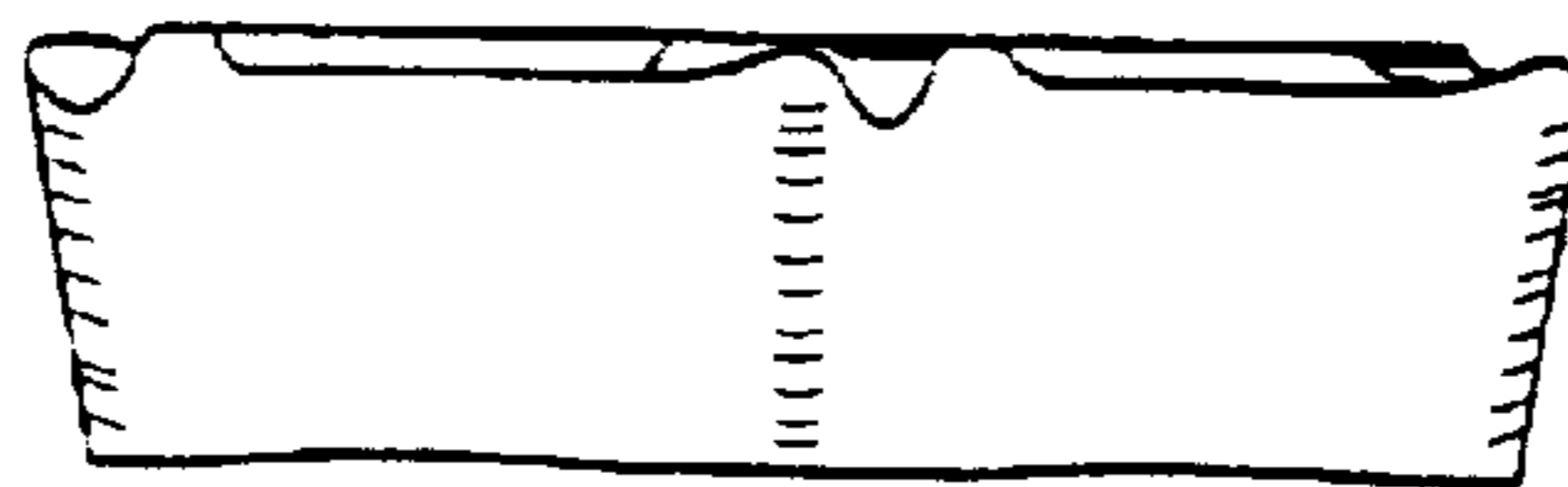


FIG. 5

