



US00D415177S

United States Patent [19]

Miller et al.

[11] **Patent Number: Des. 415,177**

[45] **Date of Patent: ** Oct. 12, 1999**

[54] **WORKPIECE POSITIONING APPARATUS**

[75] Inventors: **David Miller**, Tupelo; **Richard J. Hutcheson**, Guntown; **Joe E. Williams**, Tupelo, all of Miss.

[73] Assignee: **Delta International Machinery Corp.**, Pittsburgh, Pa.

[**] Term: **14 Years**

[21] Appl. No.: **29/092,269**

[22] Filed: **Aug. 14, 1998**

[51] **LOC (6) Cl.** **15-09**

[52] **U.S. Cl.** **D15/133**

[58] **Field of Search** D15/133, 140, D15/141; 269/303-307, 315-320; 83/438, 444, 477.2, 468.7; 144/253 R

[56] **References Cited**

U.S. PATENT DOCUMENTS

- D. 298,040 10/1988 Legler et al. D15/133
- D. 387,782 12/1997 Letendre D15/133

D. 404,404 1/1999 Lane et al. D15/133

Primary Examiner—Antoine Duval Davis
Attorney, Agent, or Firm—Kirkpatrick & Lockhart LLP

[57] **CLAIM**

The ornamental design for a workpiece positioning apparatus, as shown and described.

DESCRIPTION

FIG. 1 is a perspective view of the workpiece positioning apparatus of the present invention taken from the front and to the right, and showing the handle of the invention in a first position;

FIG. 2 is a top view of the invention of FIG. 1;

FIG. 3 is a bottom view of the invention of FIG. 1;

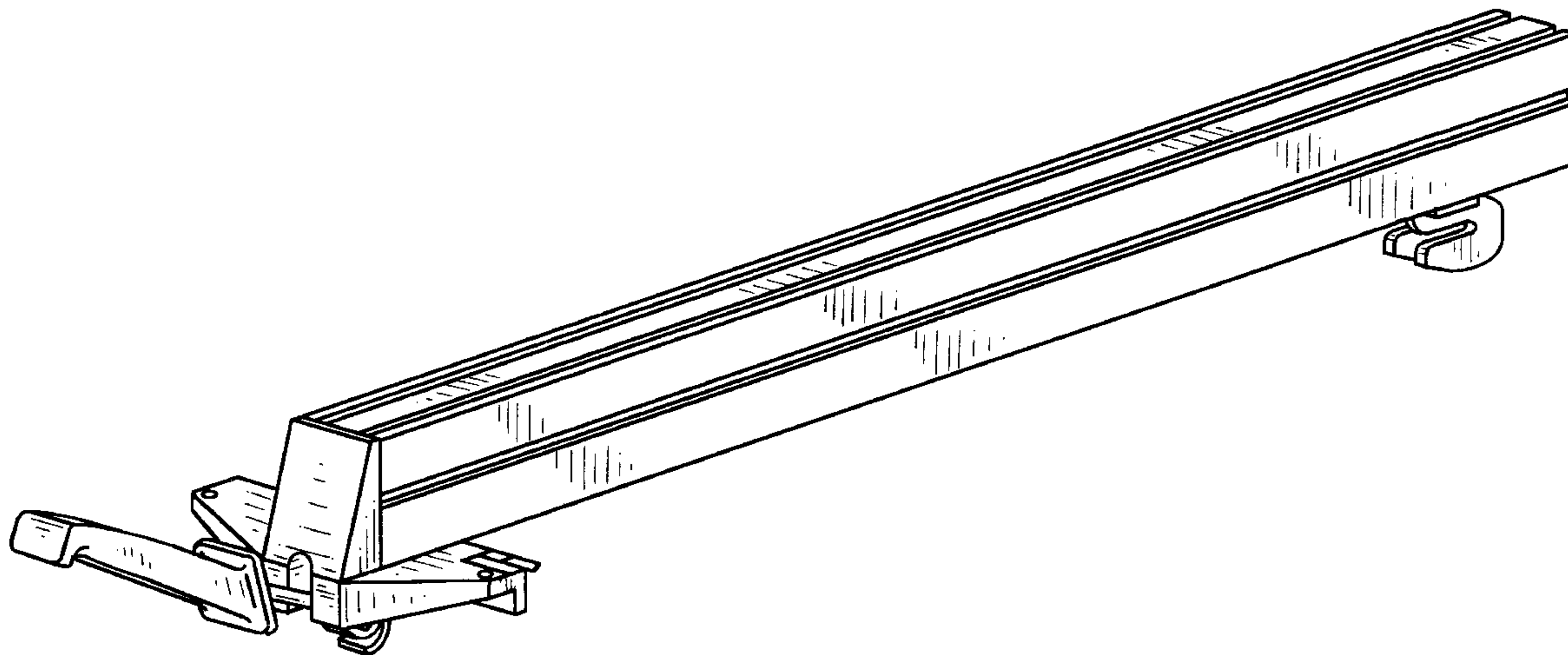
FIG. 4 is a right side elevational view of the invention of FIG. 1, and showing the handle in a second position;

FIG. 5 is a left side elevational view of the invention of FIG. 1, and showing the handle in the second position;

FIG. 6 is a front elevational view of the invention of FIG. 1, and showing the handle in the second position; and,

FIG. 7 is a rear elevational view of the invention of FIG. 1.

1 Claim, 4 Drawing Sheets



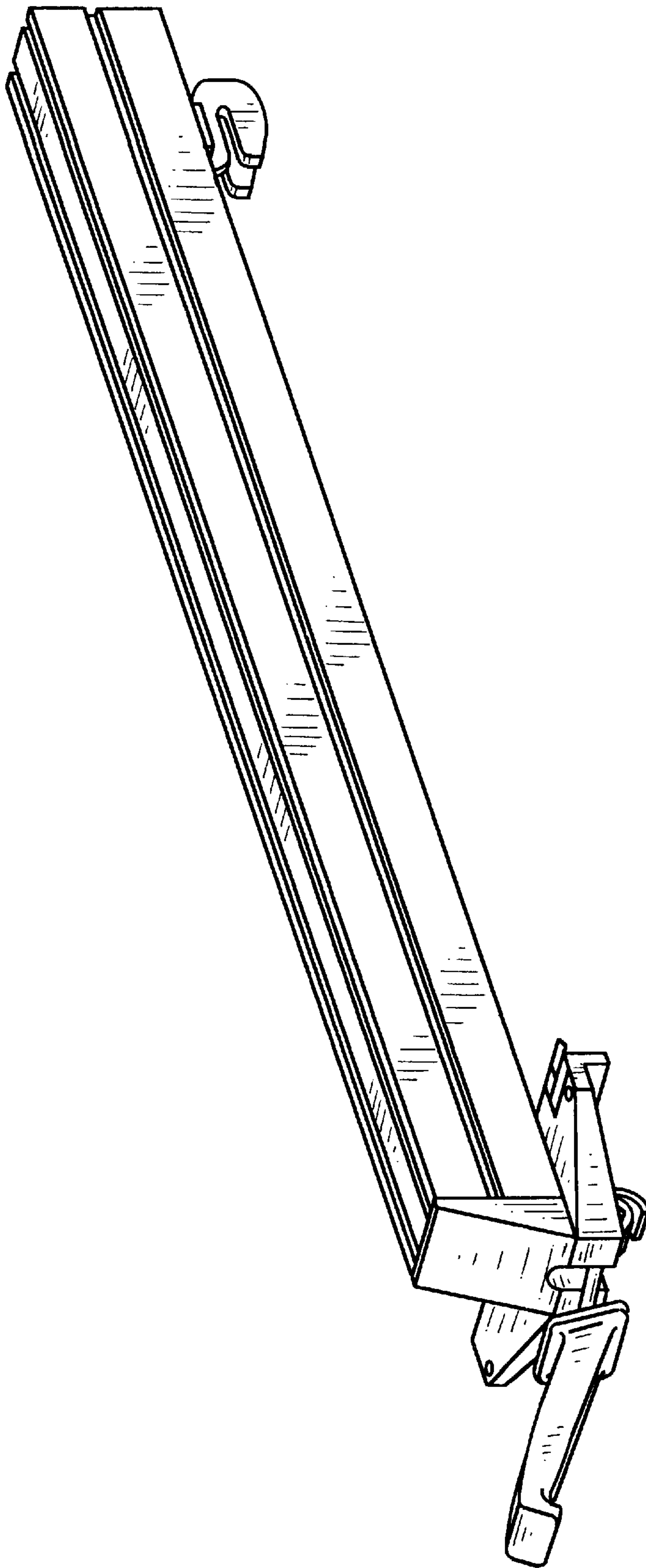


FIG. 1

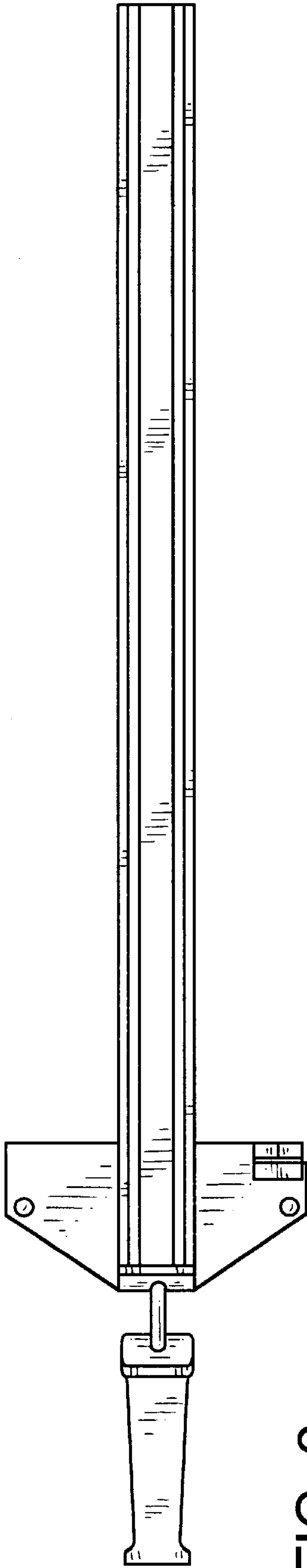


FIG. 2

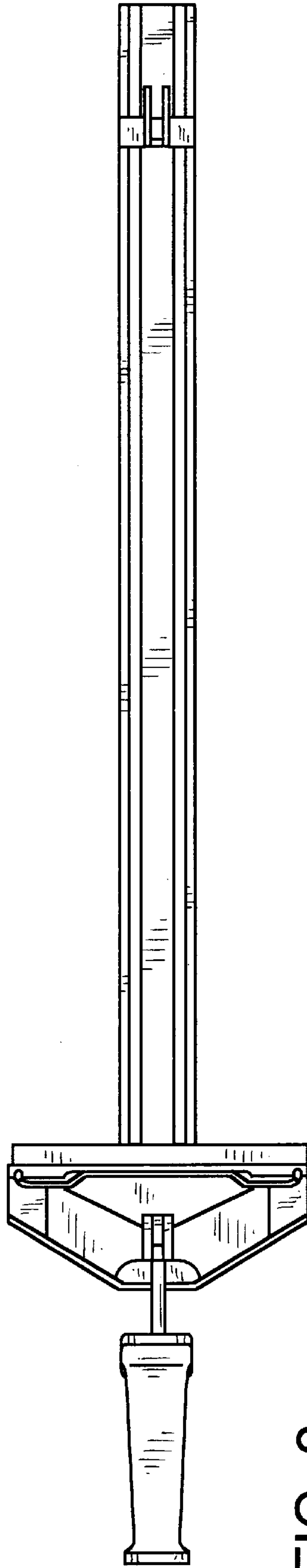


FIG. 3

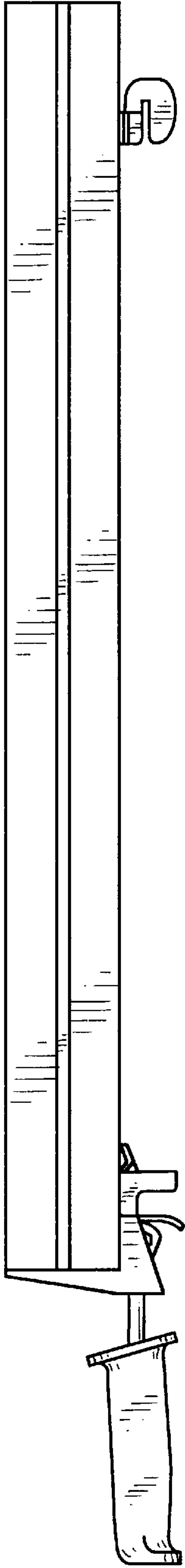


FIG. 4

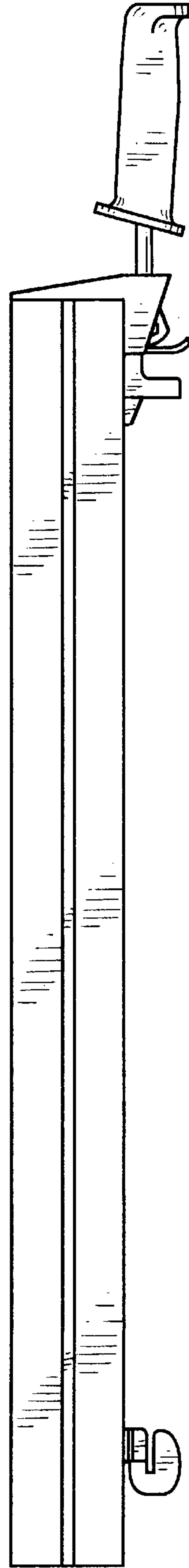


FIG. 5

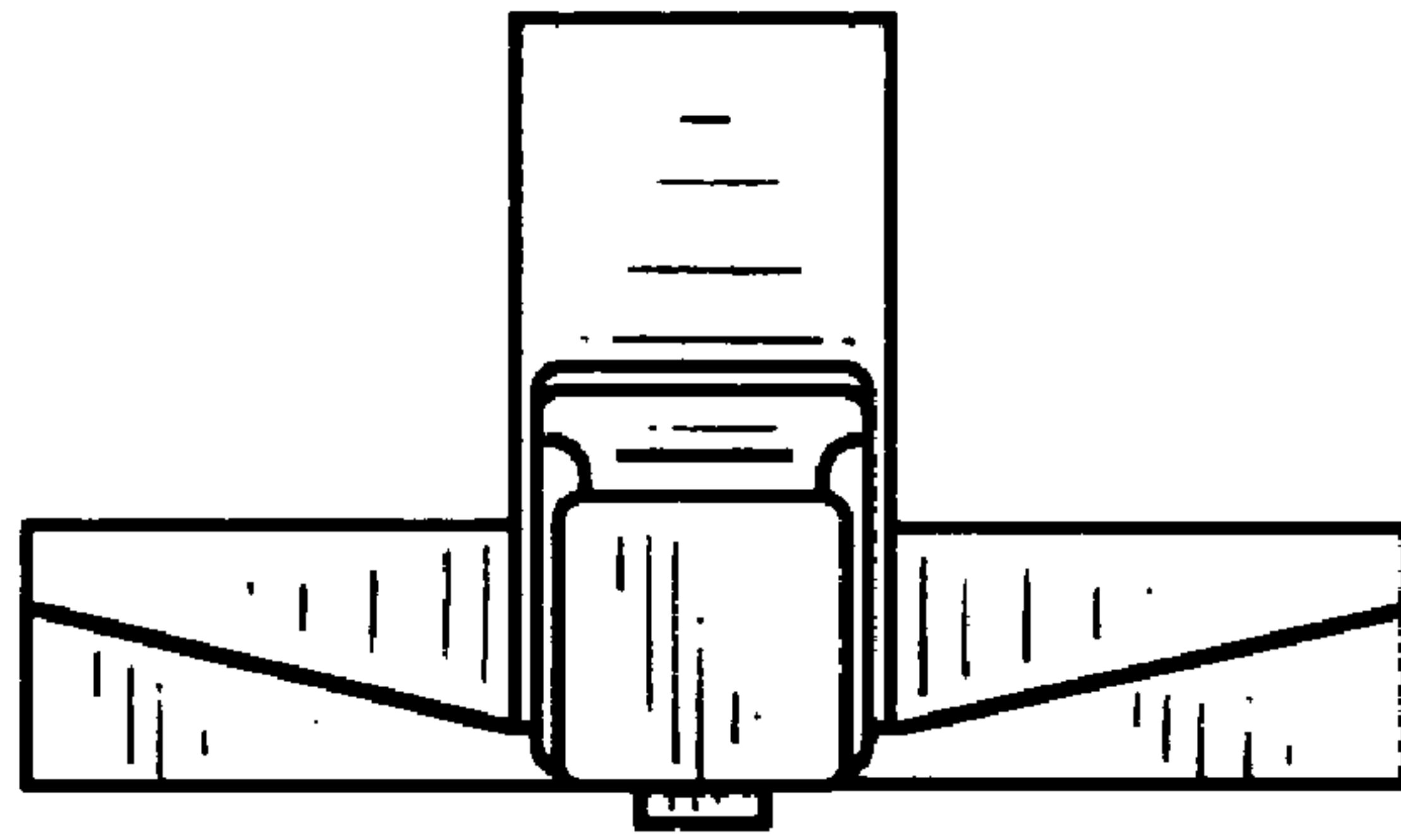


FIG. 6

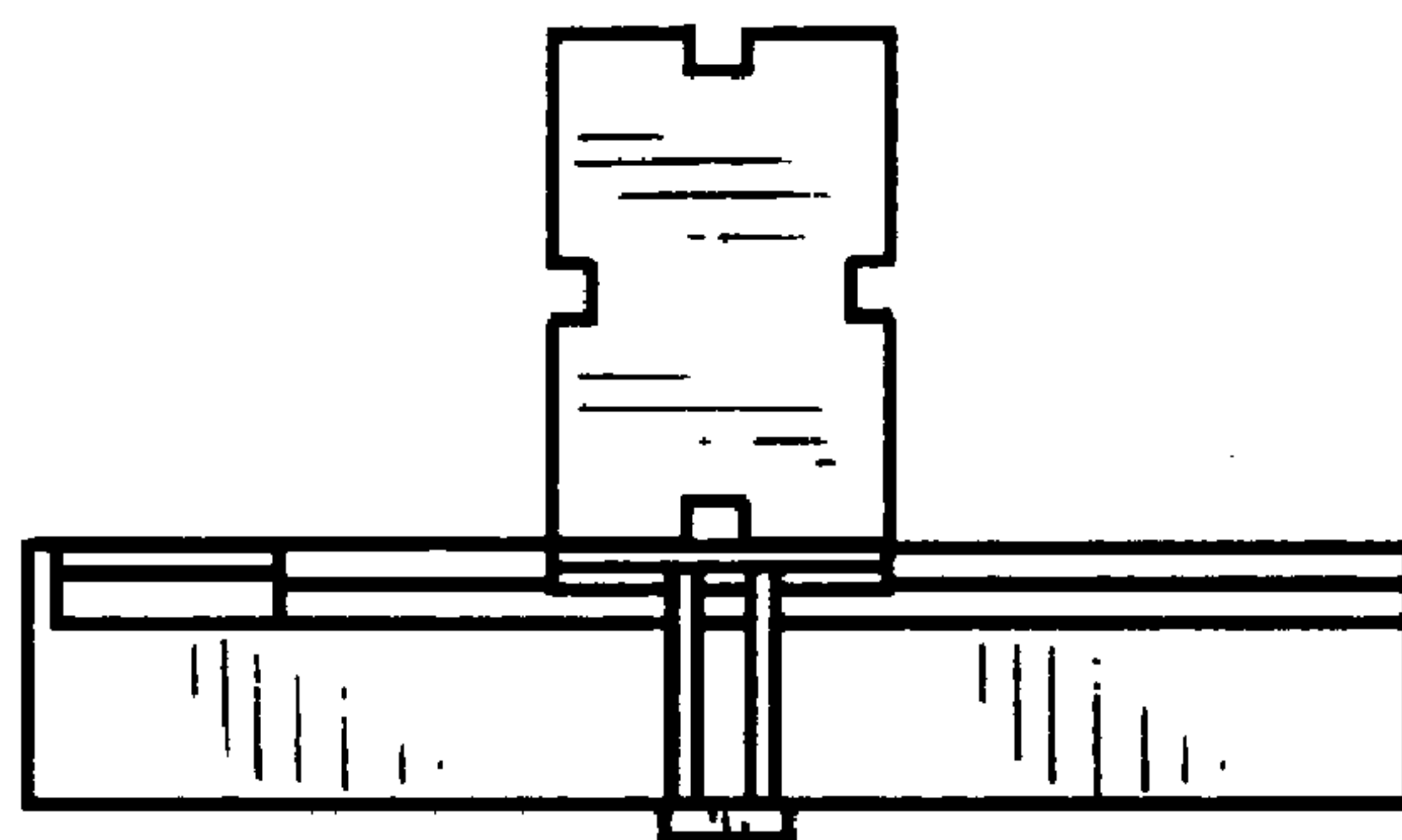


FIG. 7