



US00D415176S

# United States Patent [19]

Fetzer et al.

[11] Patent Number: Des. 415,176

[45] Date of Patent: \*\* Oct. 12, 1999

[54] HOUSING FOR A ROLLING MILL

[75] Inventors: **Wilhelm Fetzer**, Niederuzwil, Switzerland; **Urs V. Keller**, Plymouth, Minn.

[73] Assignee: **Buhler, A.G.**, Uzwil, Switzerland

[\*\*] Term: 14 Years

[21] Appl. No.: 29/090,714

[22] Filed: Jul. 13, 1998

### Related U.S. Application Data

[63] Continuation-in-part of application No. 29/086,135, Apr. 7, 1998.

[51] LOC (6) Cl. .... 15-09

[52] U.S. Cl. .... D15/131

[58] Field of Search ..... D15/131; 241/30, 241/34, 226, 227

### [56] References Cited

#### U.S. PATENT DOCUMENTS

D. 401,248 11/1998 Schrepfer ..... D15/131

*Primary Examiner*—Antoine Duval Davis  
*Attorney, Agent, or Firm*—Burns, Doane, Swecker & Mathis L.L.P.

### [57] CLAIM

The ornamental design for a housing for a rolling mill, as shown and described.

### DESCRIPTION

FIG. 1 is a front perspective view of a housing for a rolling mill showing our new design;

FIG. 2 is a right side view thereof;

FIG. 3 is a left side view thereof;

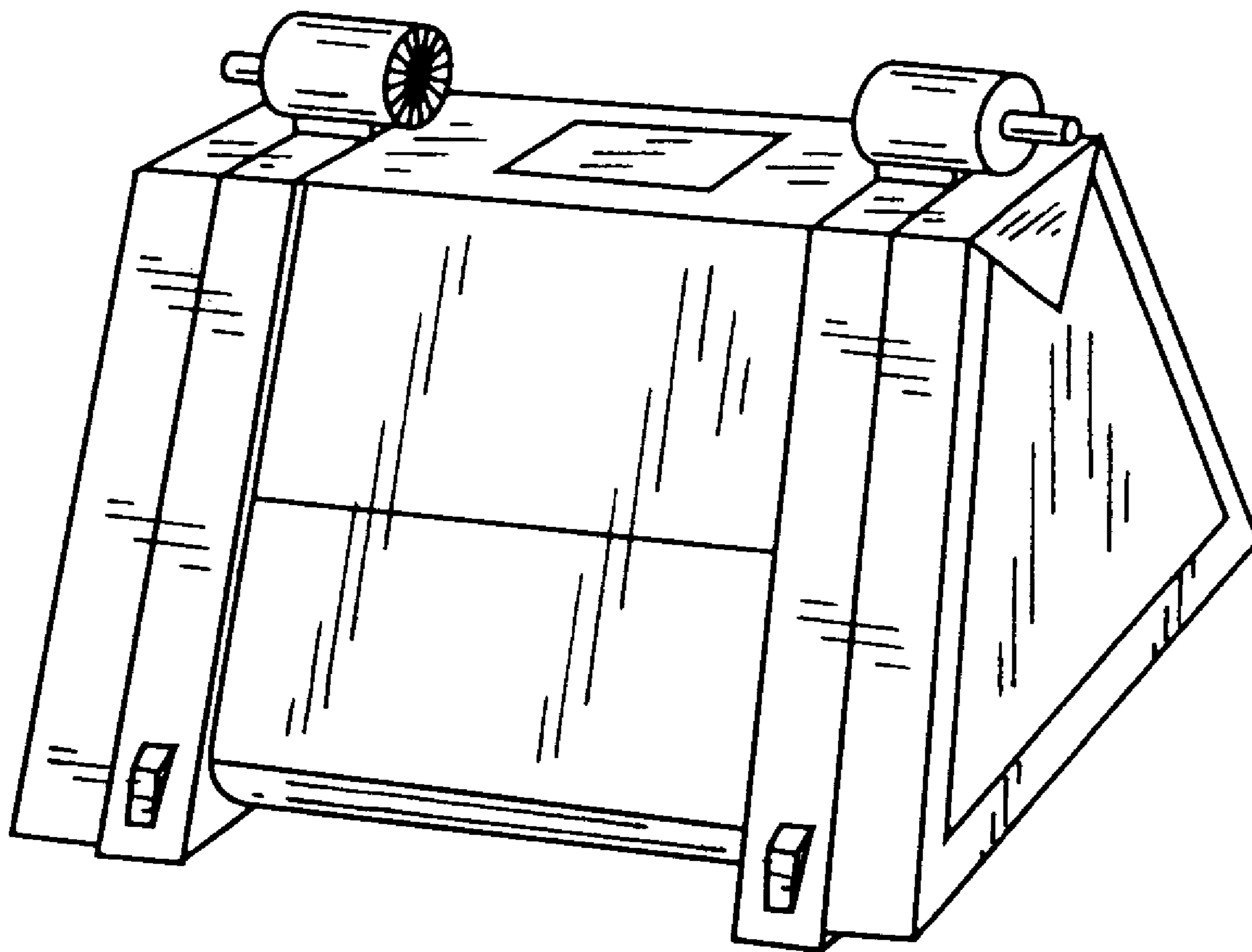
FIG. 4 is a rear view thereof;

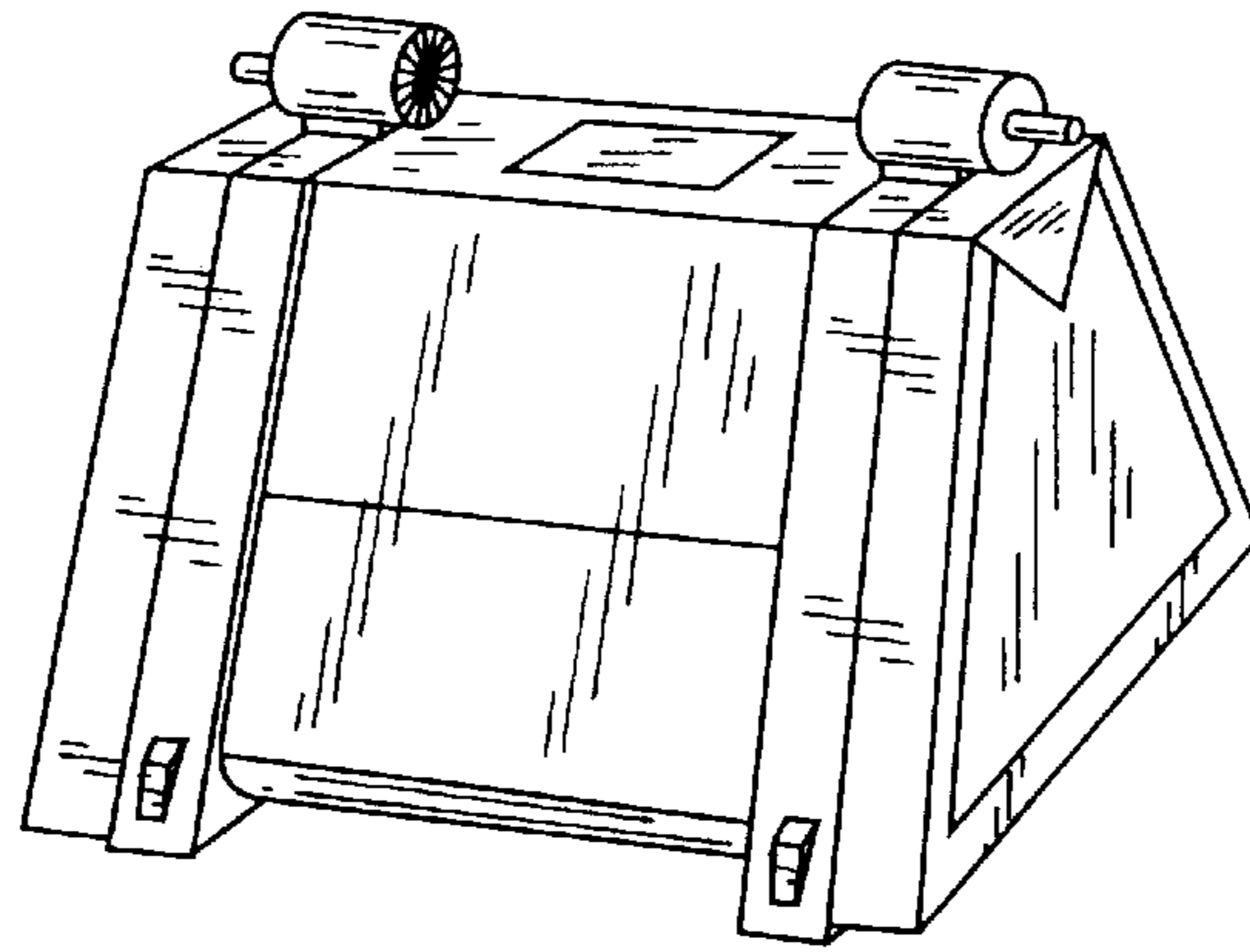
FIG. 5 is a front view thereof;

FIG. 6 is a top plan view thereof; and,

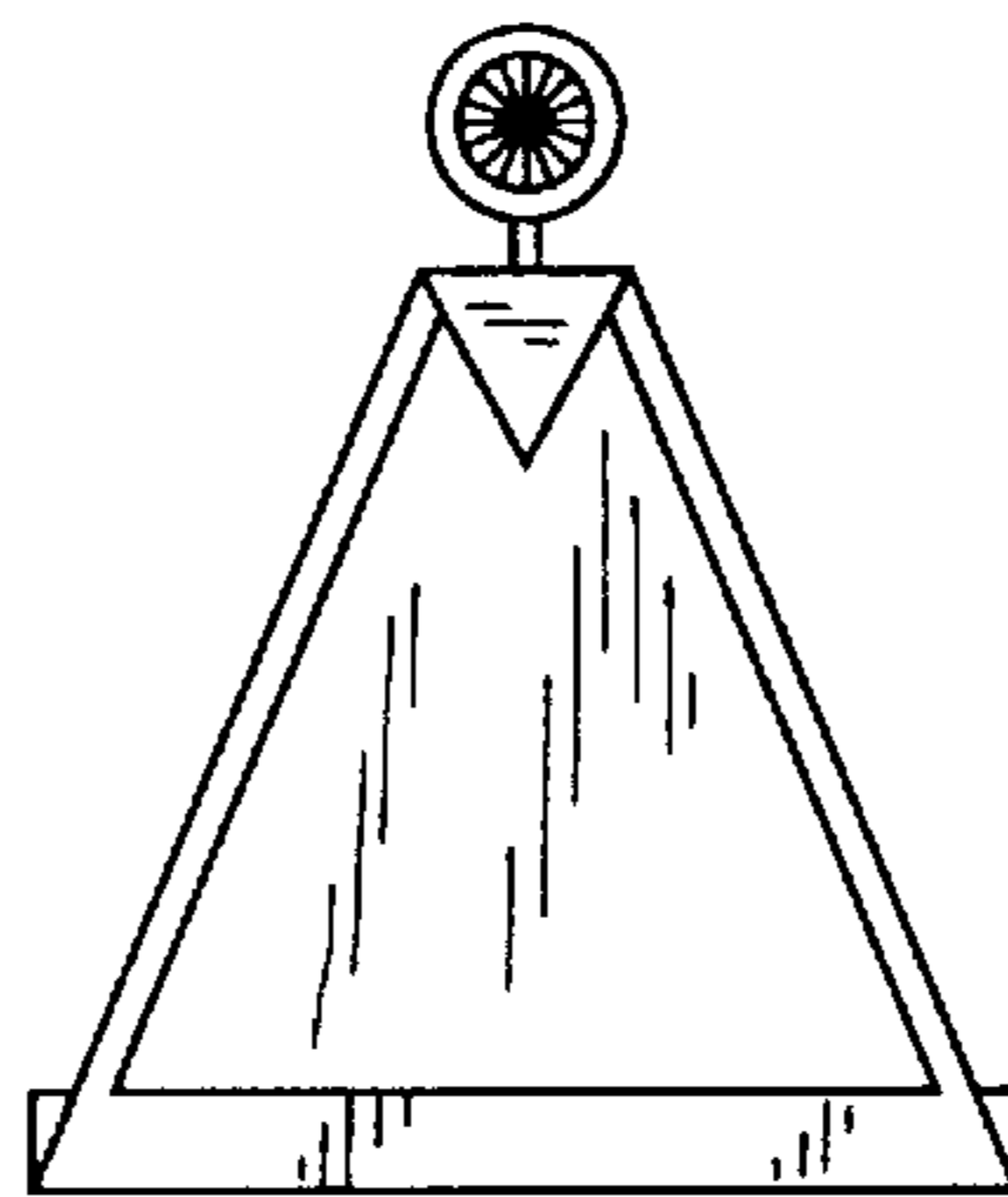
FIG. 7 is a bottom plan view thereof.

1 Claim, 3 Drawing Sheets

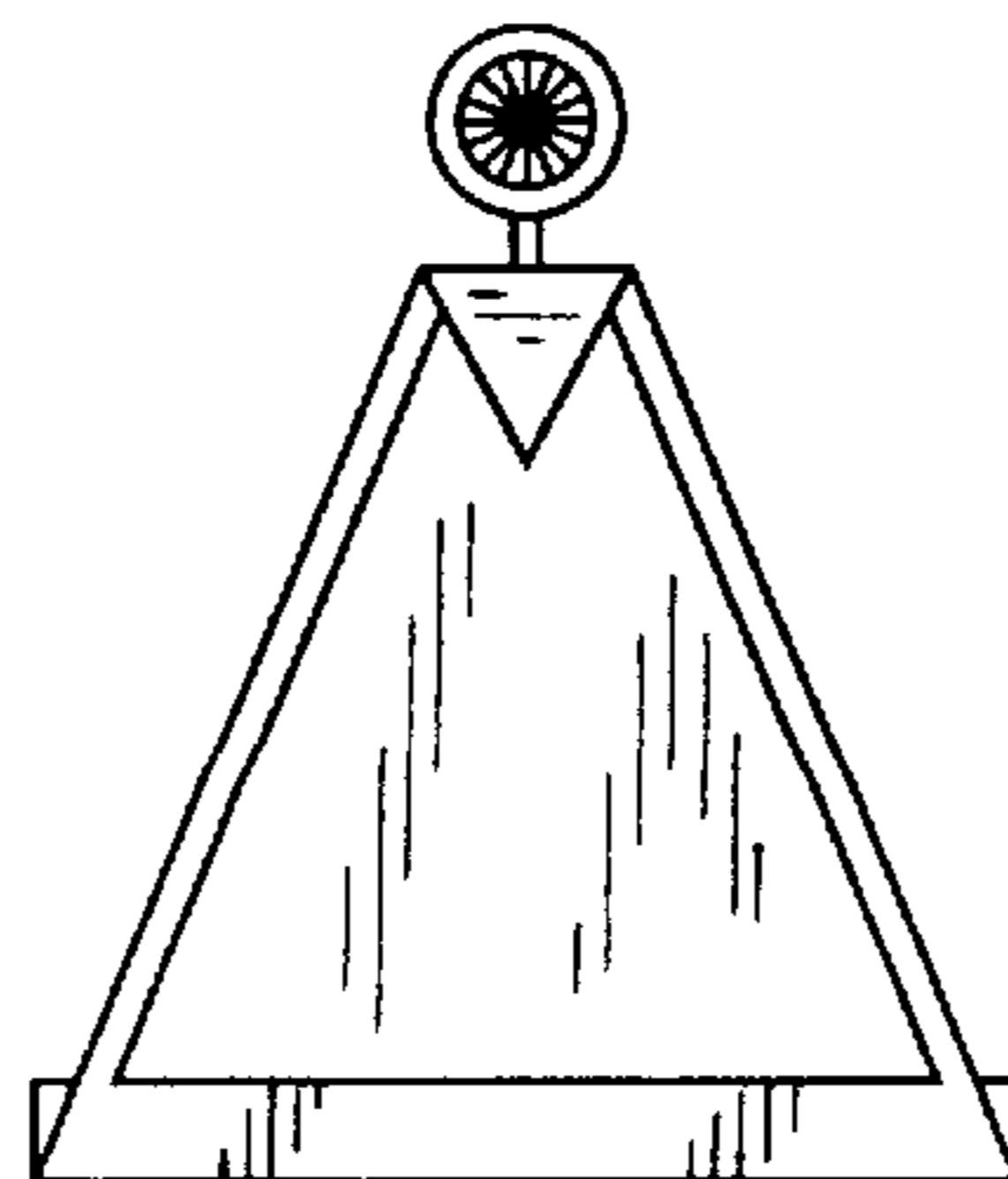




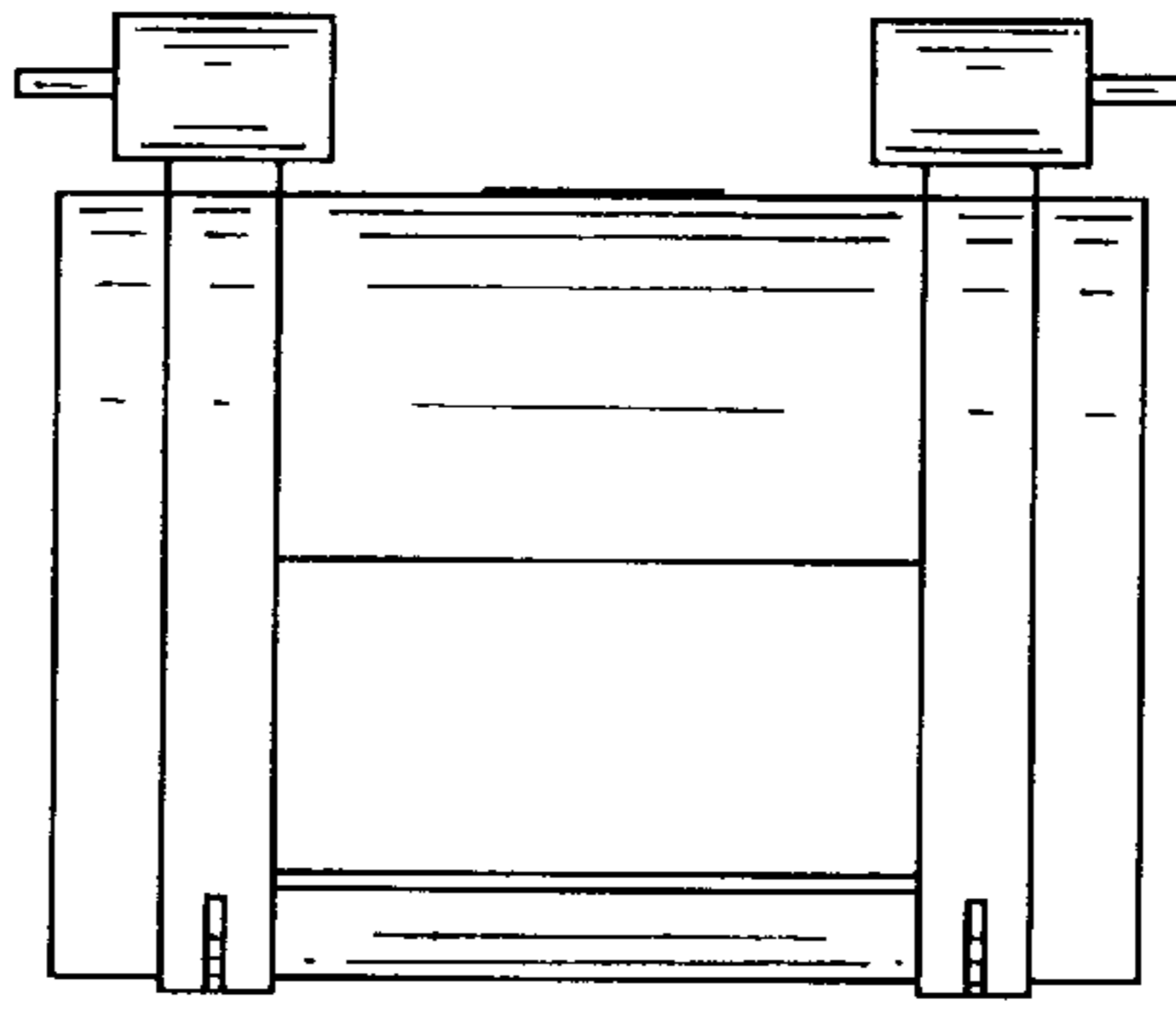
**FIG. 1**



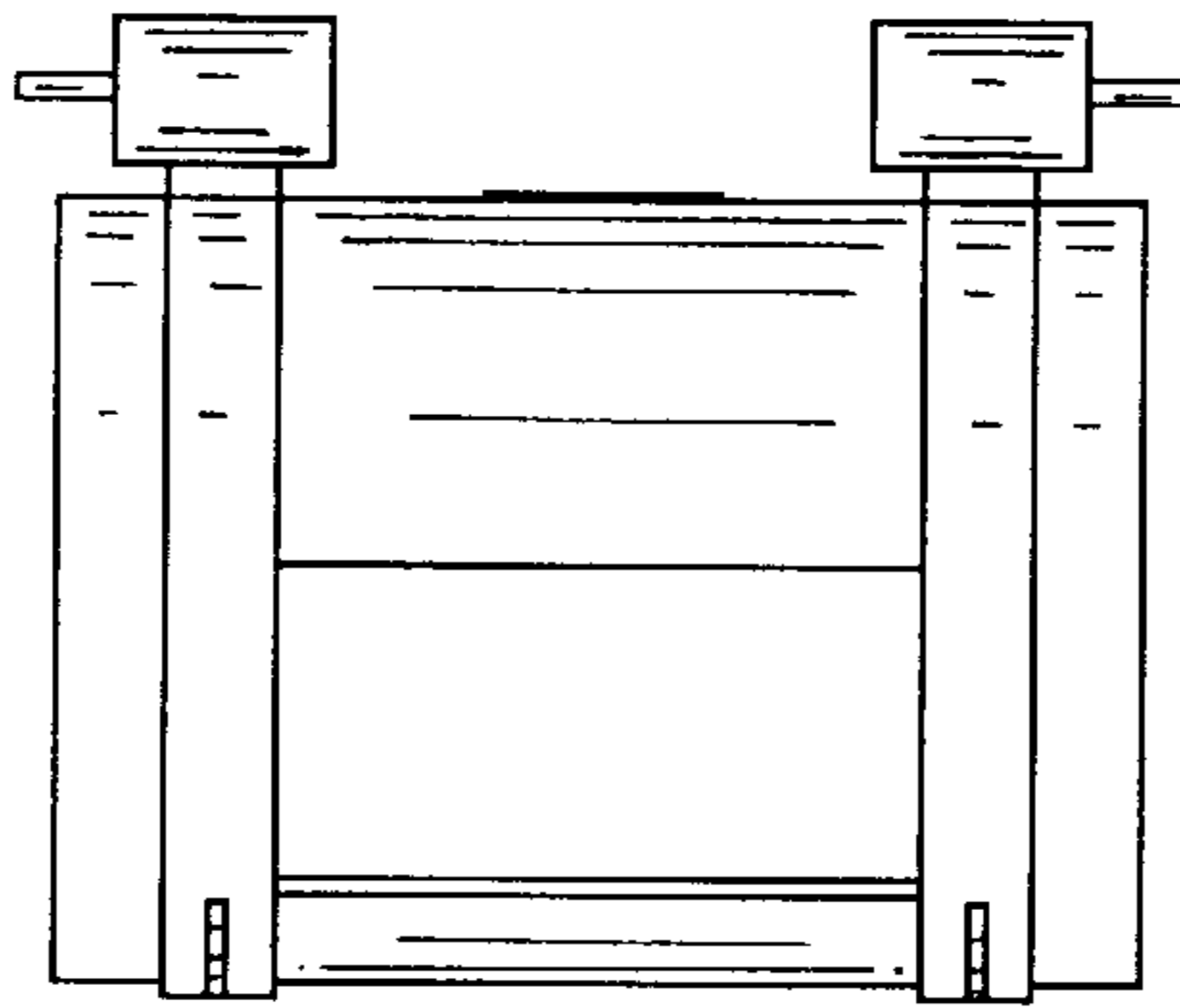
**FIG. 2**



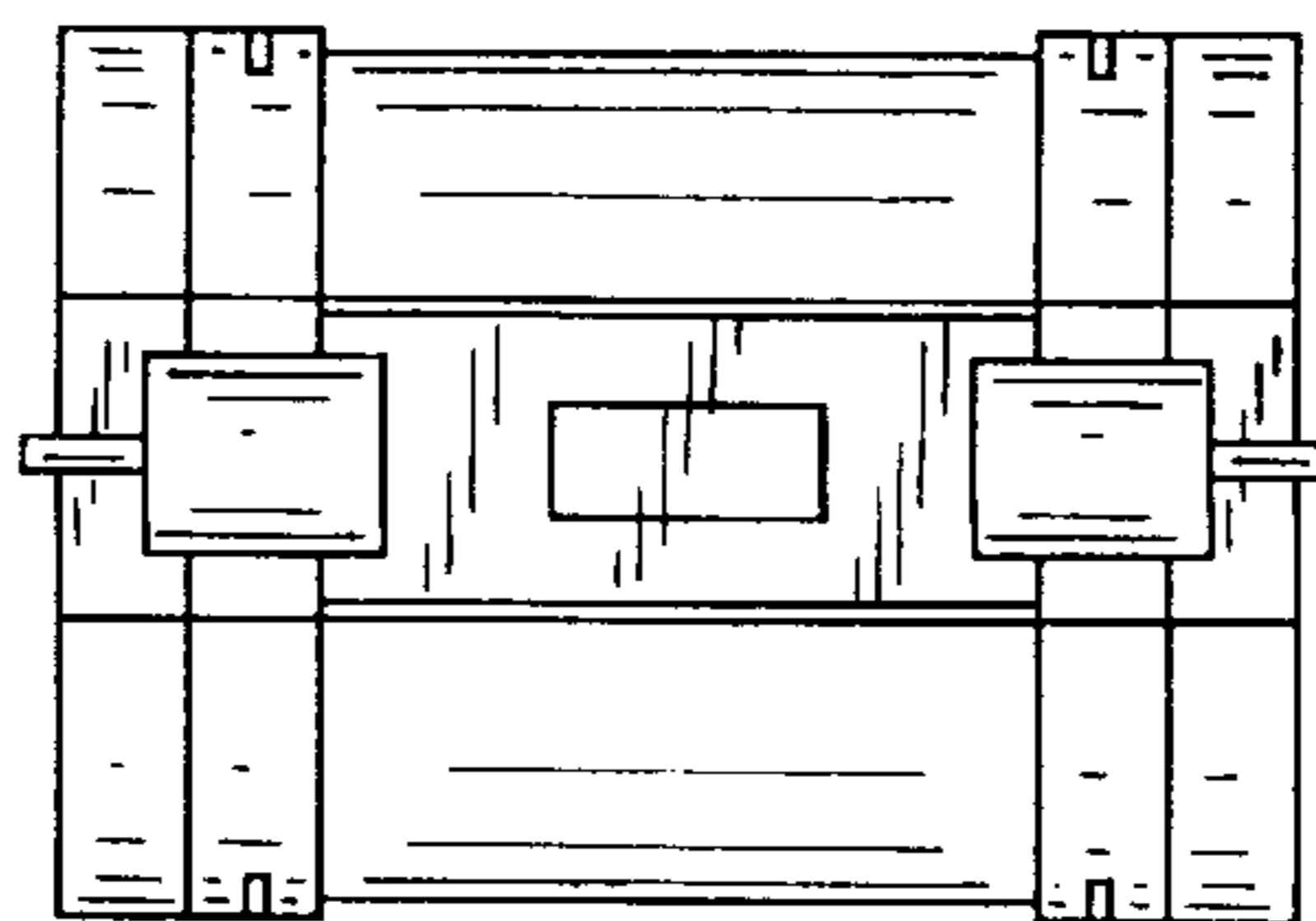
**FIG. 3**



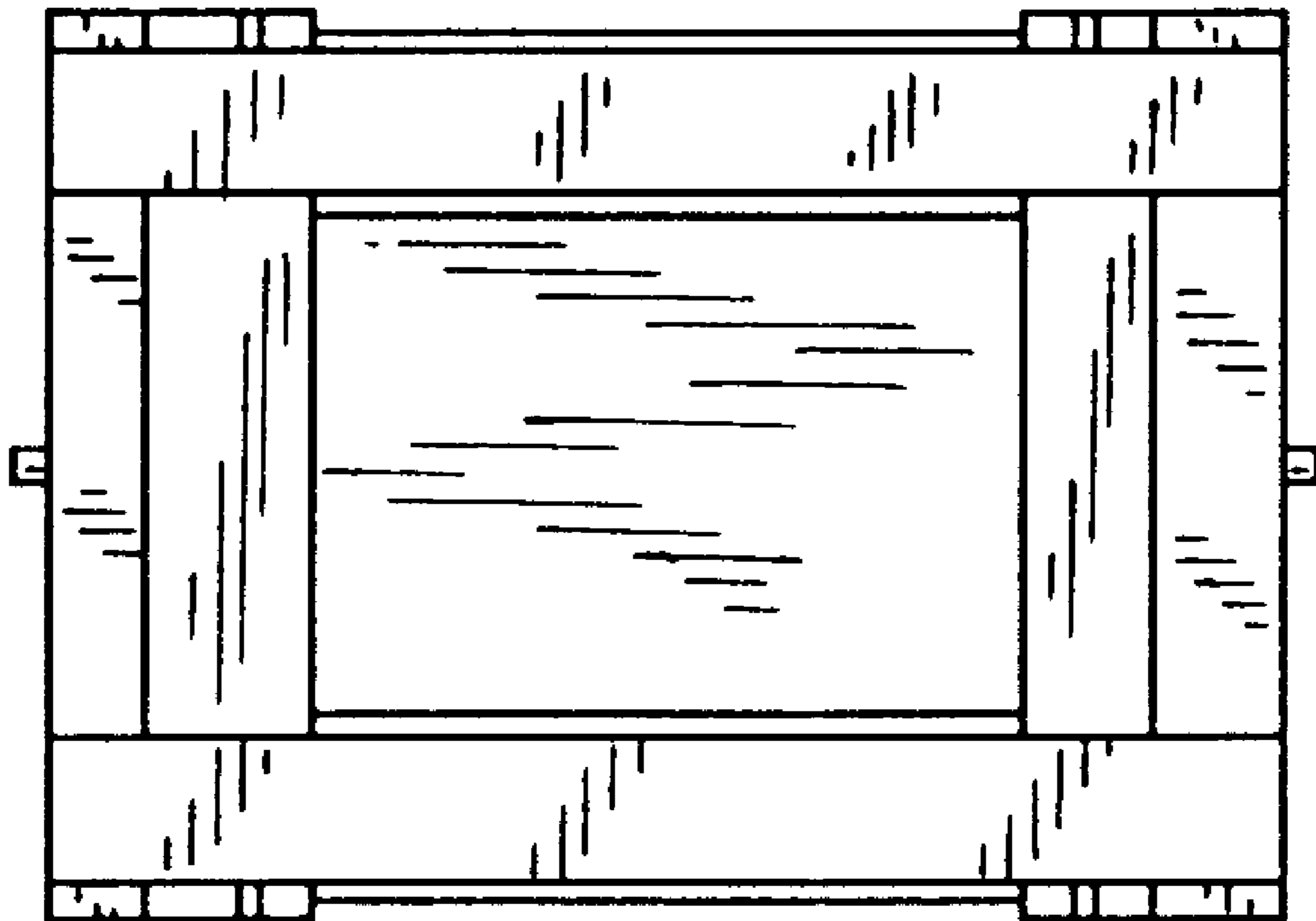
**FIG. 4**



**FIG. 5**



**FIG. 6**



***FIG. 7***