



US00D415175S

United States Patent [19] Lin

[11] **Patent Number: Des. 415,175**

[45] **Date of Patent: ** Oct. 12, 1999**

[54] **ELECTRICAL DISCHARGE MACHINE**

5,808,261 9/1998 Berger et al. 219/69.11

[76] Inventor: **Yi-Tien Lin**, No. 15, Alley 1655, Kwan Shin Road, Tai Ping City, Taichung Shien, Taiwan

Primary Examiner—Antoine Duval Davis
Attorney, Agent, or Firm—Rosenberg, Klein & Bilker

[**] Term: **14 Years**

[57] **CLAIM**

The ornamental design for an electrical discharge machine, as shown and described.

[21] Appl. No.: **29/088,669**

[22] Filed: **May 29, 1998**

DESCRIPTION

[51] **LOC (6) Cl.** **15-09**

[52] **U.S. Cl.** **D15/127; D15/122**

[58] **Field of Search** D15/127, 122;
219/69.11, 69.13, 69.18; 439/348

FIG. 1 is a perspective view of electrical discharge machine showing my new design;

FIG. 2 is a front elevational view thereof;

FIG. 3 is a rear elevational view thereof;

FIG. 4 is a left side elevational view thereof;

FIG. 5 is a right side elevational view thereof;

FIG. 6 is a top side elevational view thereof; and,

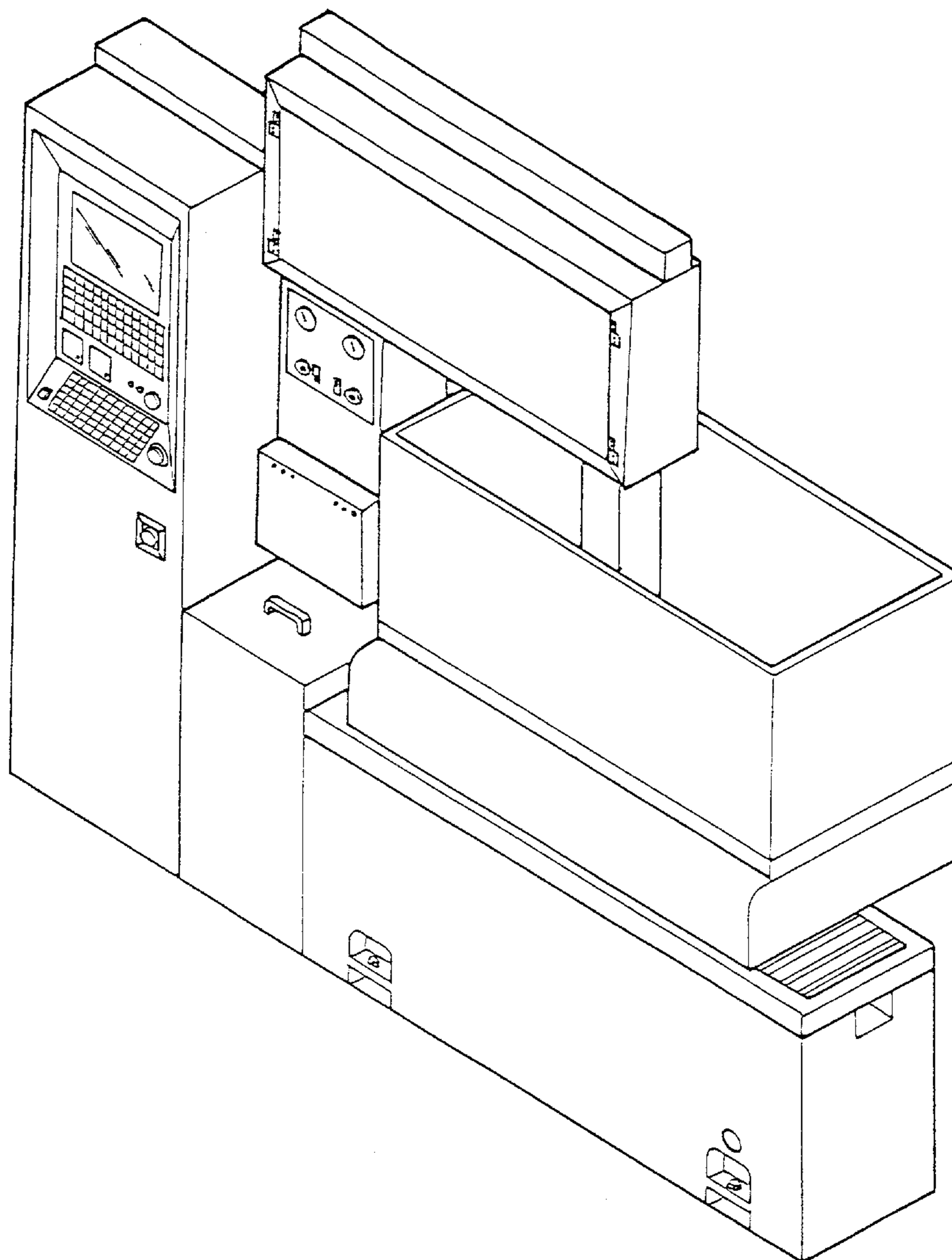
FIG. 7 is a bottom side elevational view thereof.

[56] **References Cited**

U.S. PATENT DOCUMENTS

D. 388,103 12/1997 Gotou et al. D15/127
5,530,217 6/1996 Knecht 219/69.11

1 Claim, 5 Drawing Sheets



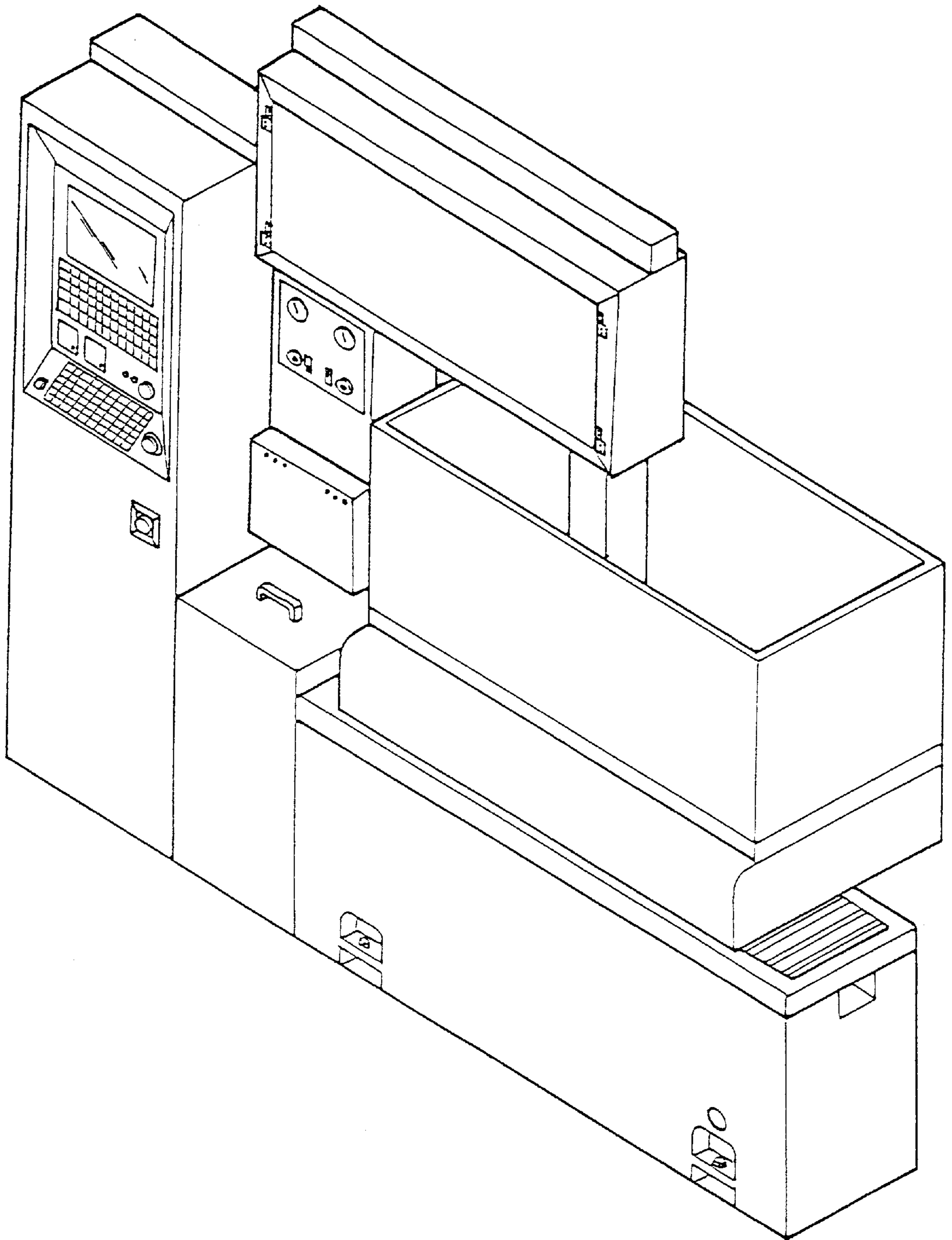


FIG. 1

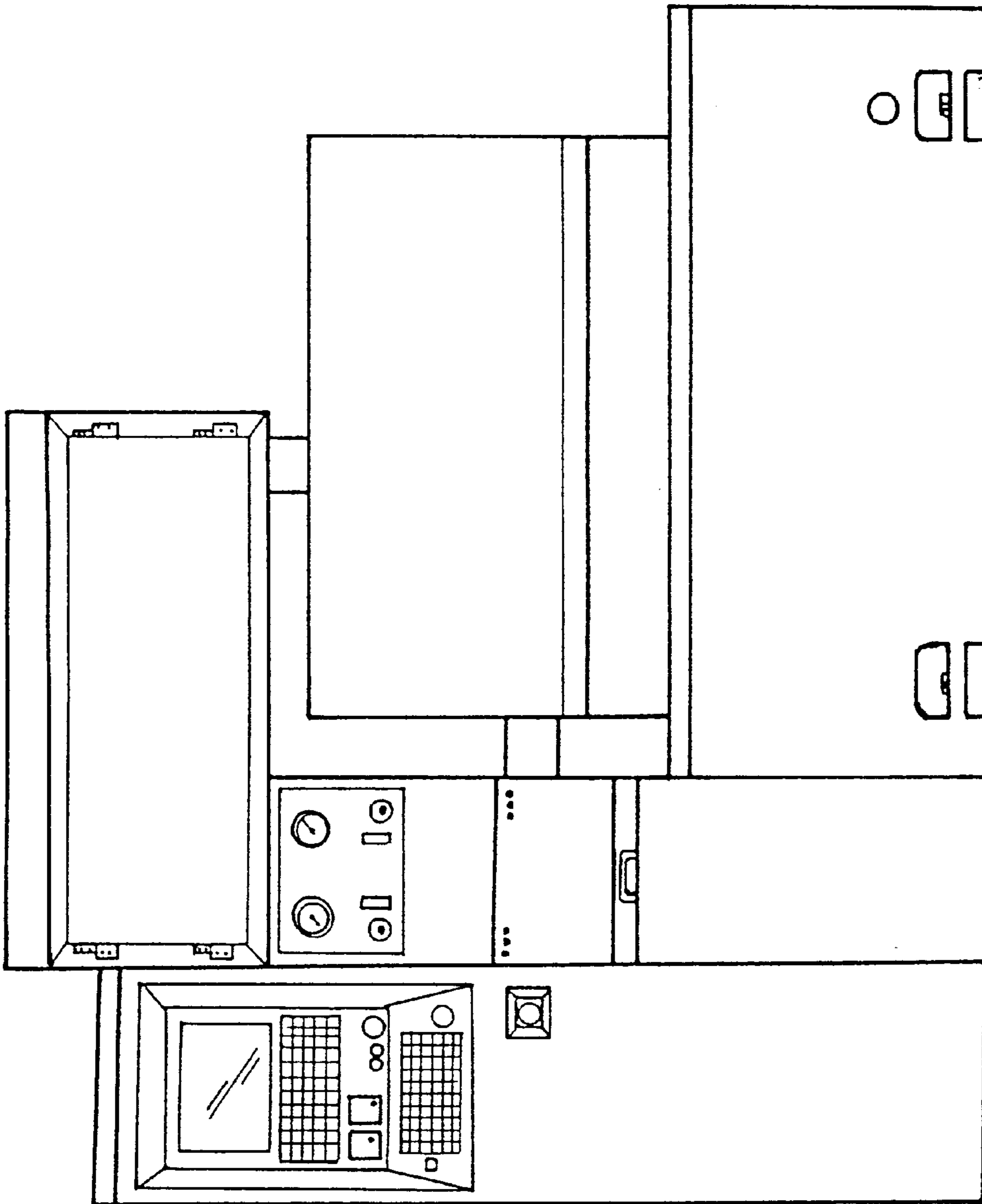


FIG. 2

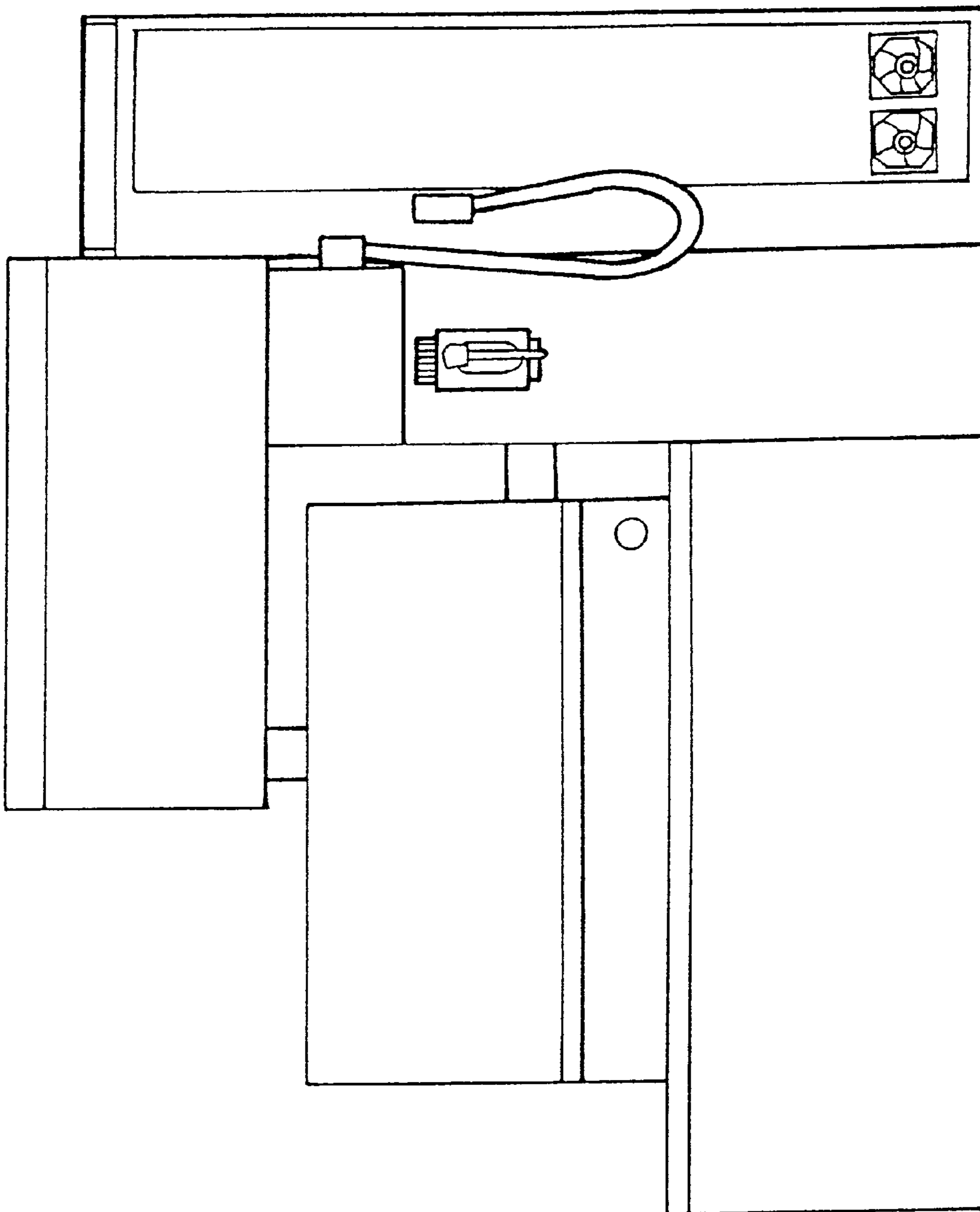


FIG. 3

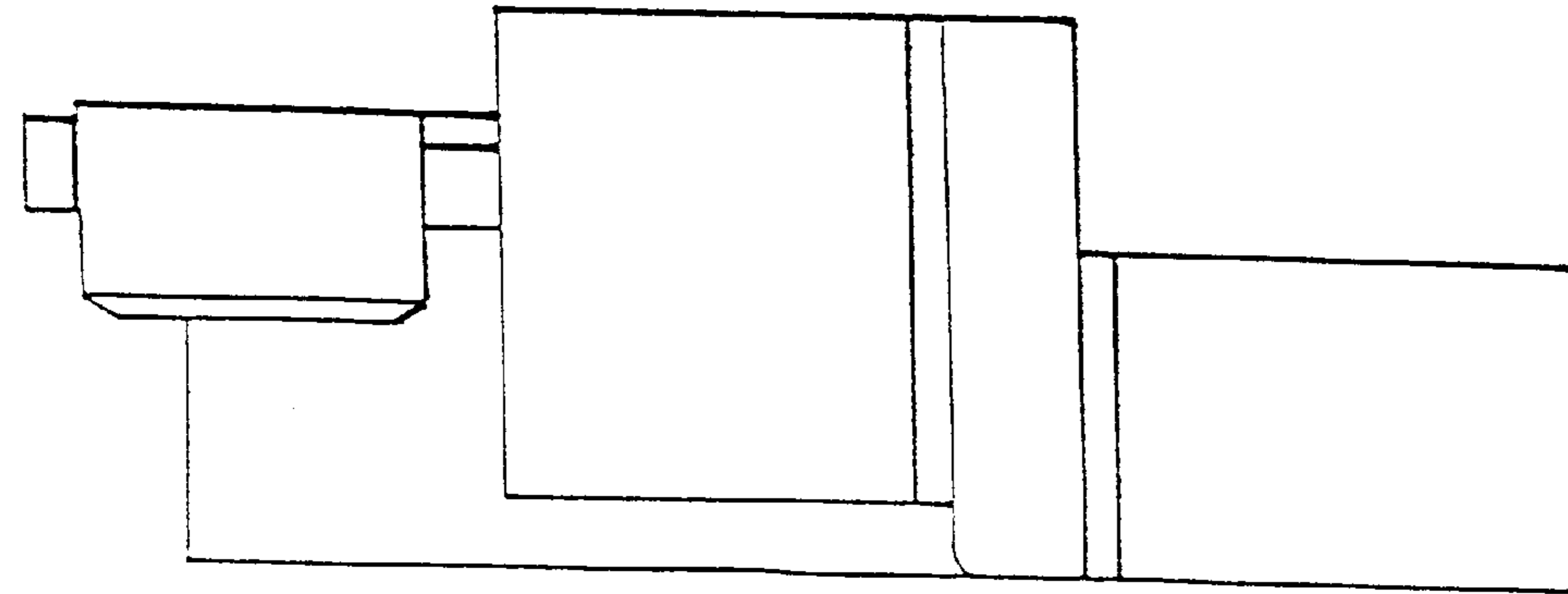


FIG. 5

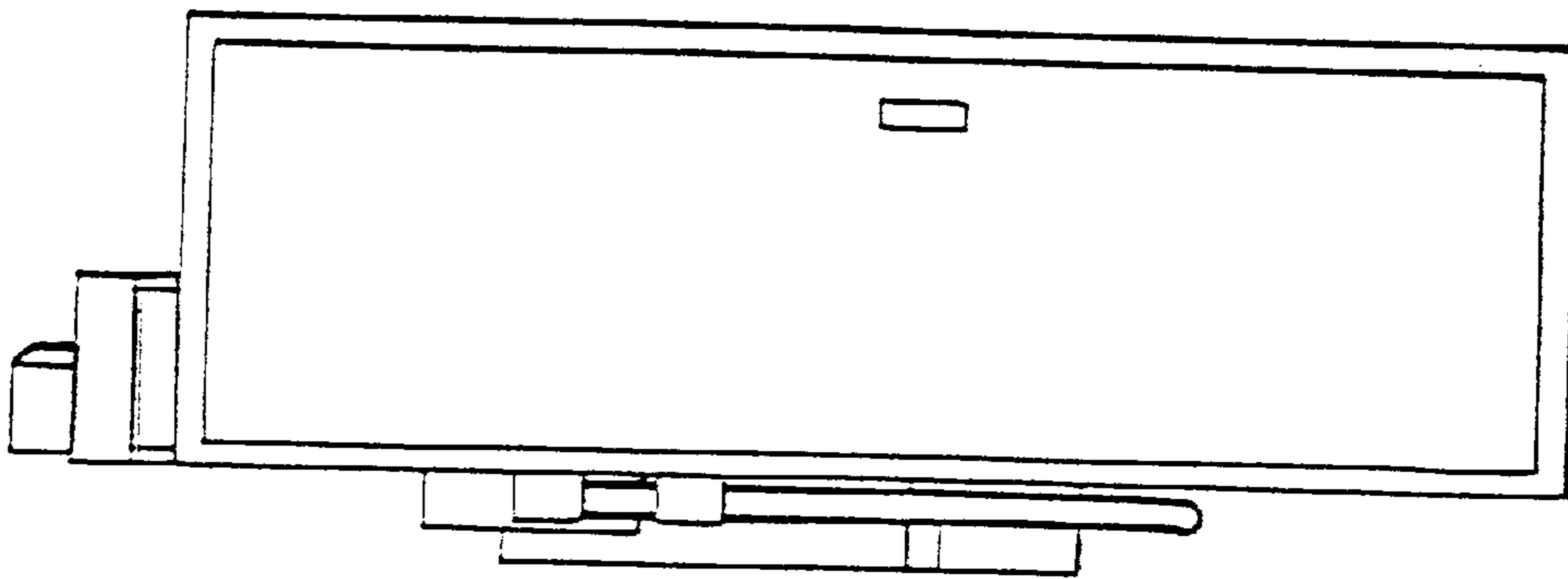


FIG. 4

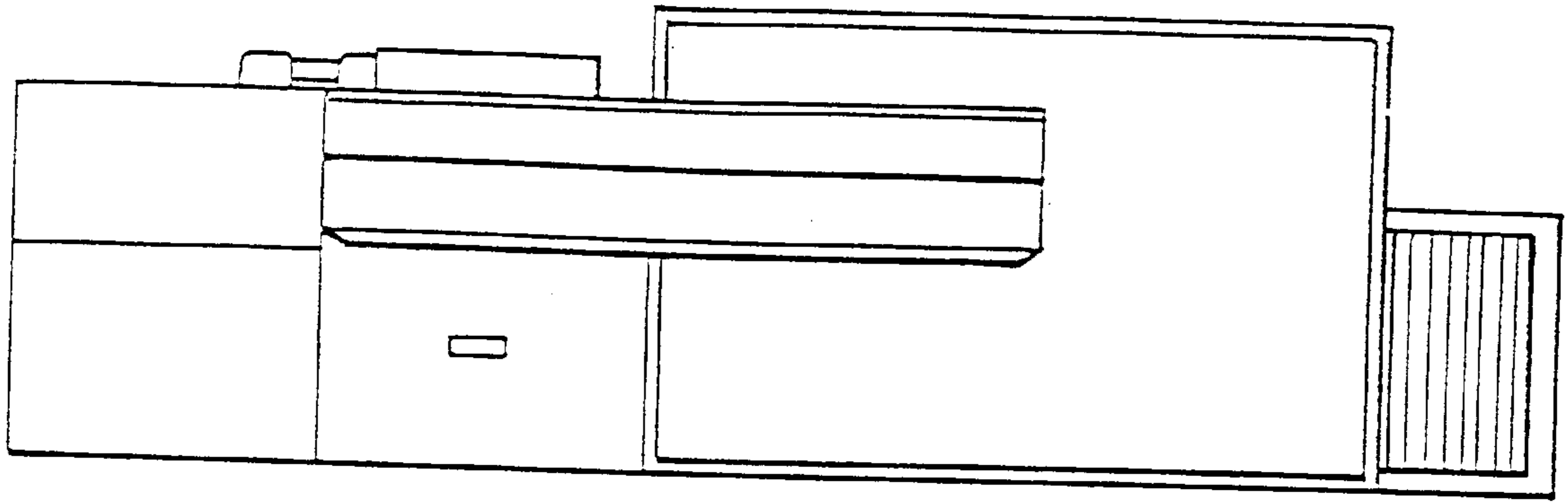


FIG. 6

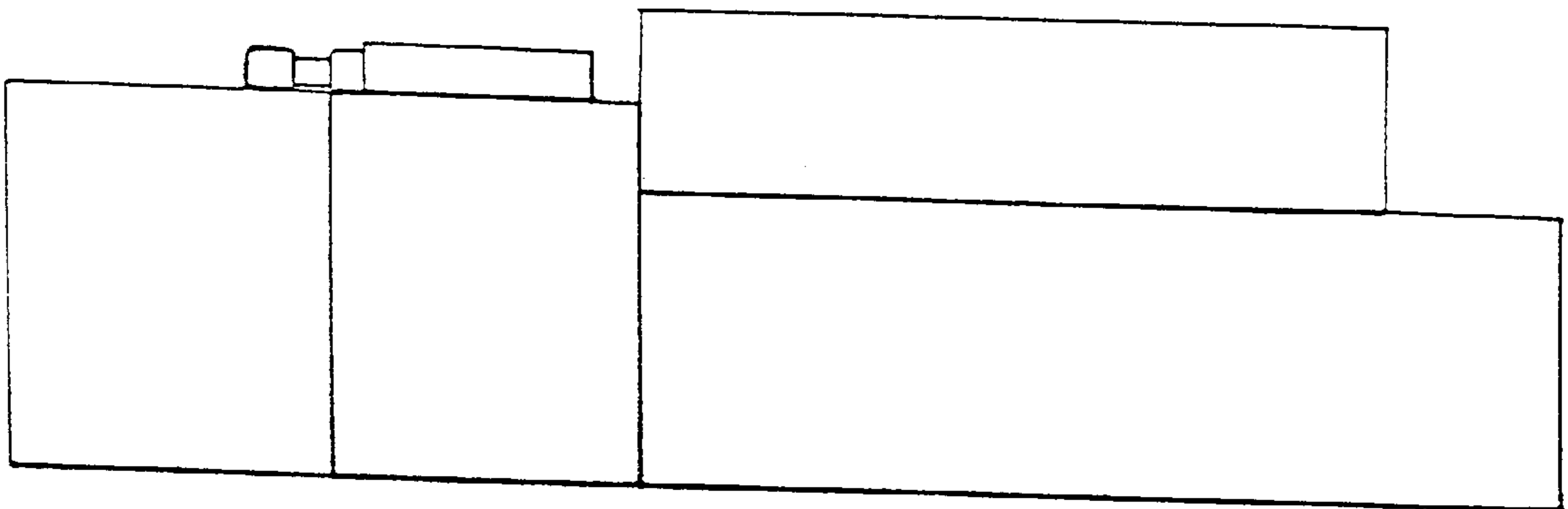


FIG. 7