



US00D415174S

United States Patent [19]
Napolitano

[11] **Patent Number: Des. 415,174**

[45] **Date of Patent: ** Oct. 12, 1999**

[54] **ROOFING TOOL**

[76] Inventor: **Michael J. Napolitano**, 105-16 Maple St., Vernon, Conn. 06066

[**] Term: **14 Years**

[21] Appl. No.: **29/085,910**

[22] Filed: **Apr. 1, 1998**

[51] **LOC (6) Cl.** **15-09**

[52] **U.S. Cl.** **D15/127**

[58] **Field of Search** D15/127; 7/170, 7/158, 167, 103, 122

[56] **References Cited**

U.S. PATENT DOCUMENTS

3,546,726 12/1970 Bizzigotti 7/103

Primary Examiner—Antoine Duval Davis

Attorney, Agent, or Firm—Alix, Yale & Ristas, LLP

[57] **CLAIM**

The ornamental design for a roofing tool, as shown and described.

DESCRIPTION

FIG. 1 is a side elevational view of a roofing tool showing my new design;

FIG. 2 is a front elevational view thereof;

FIG. 3 is a rear elevational view thereof;

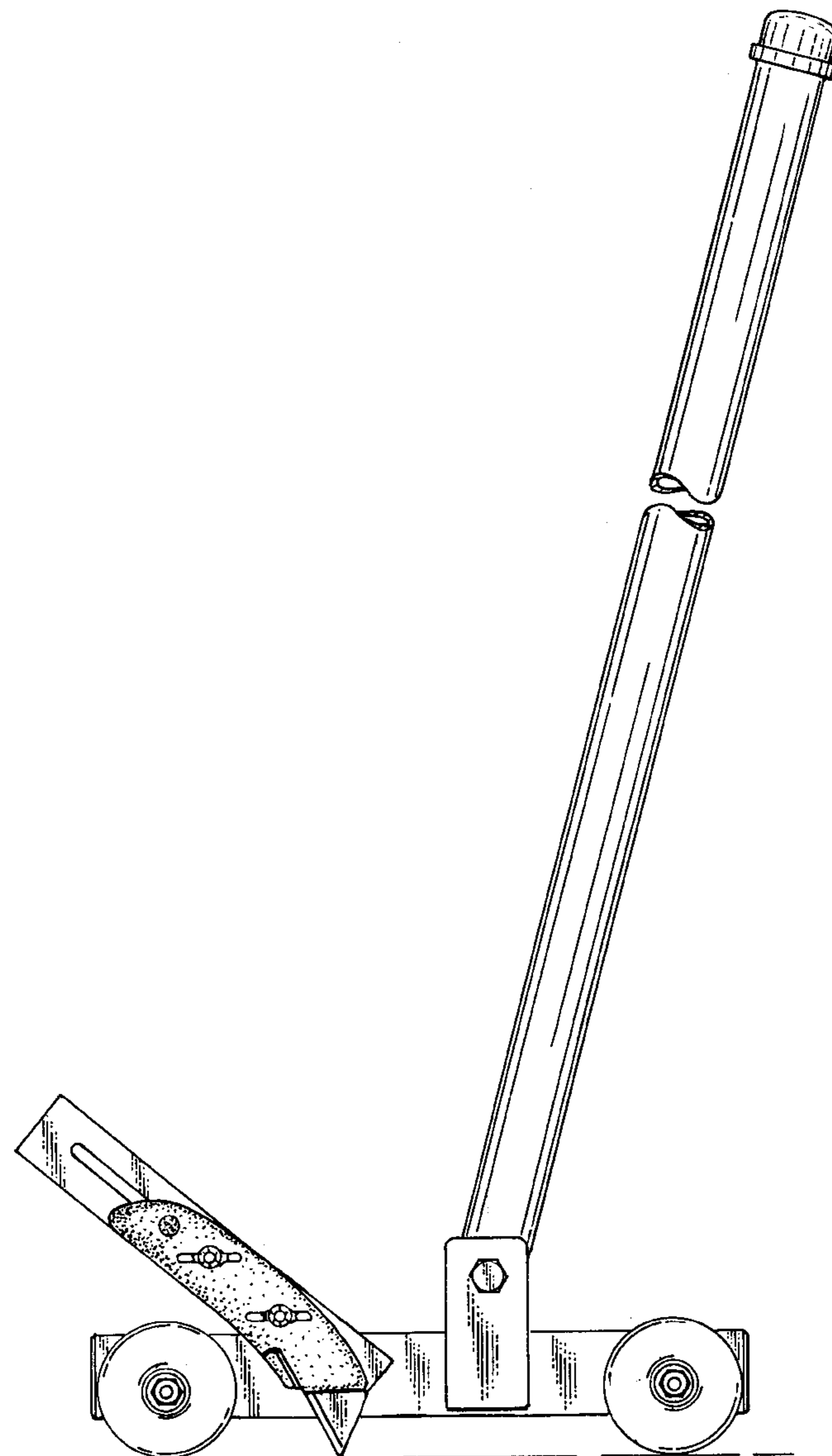
FIG. 4 is a side elevational view thereof taken from the opposite side when compared to FIG. 1;

FIG. 5 is a top view thereof; and,

FIG. 6 is a bottom view thereof.

The broken line showing is for illustrative purposes only and forms no part of the claimed design.

1 Claim, 4 Drawing Sheets



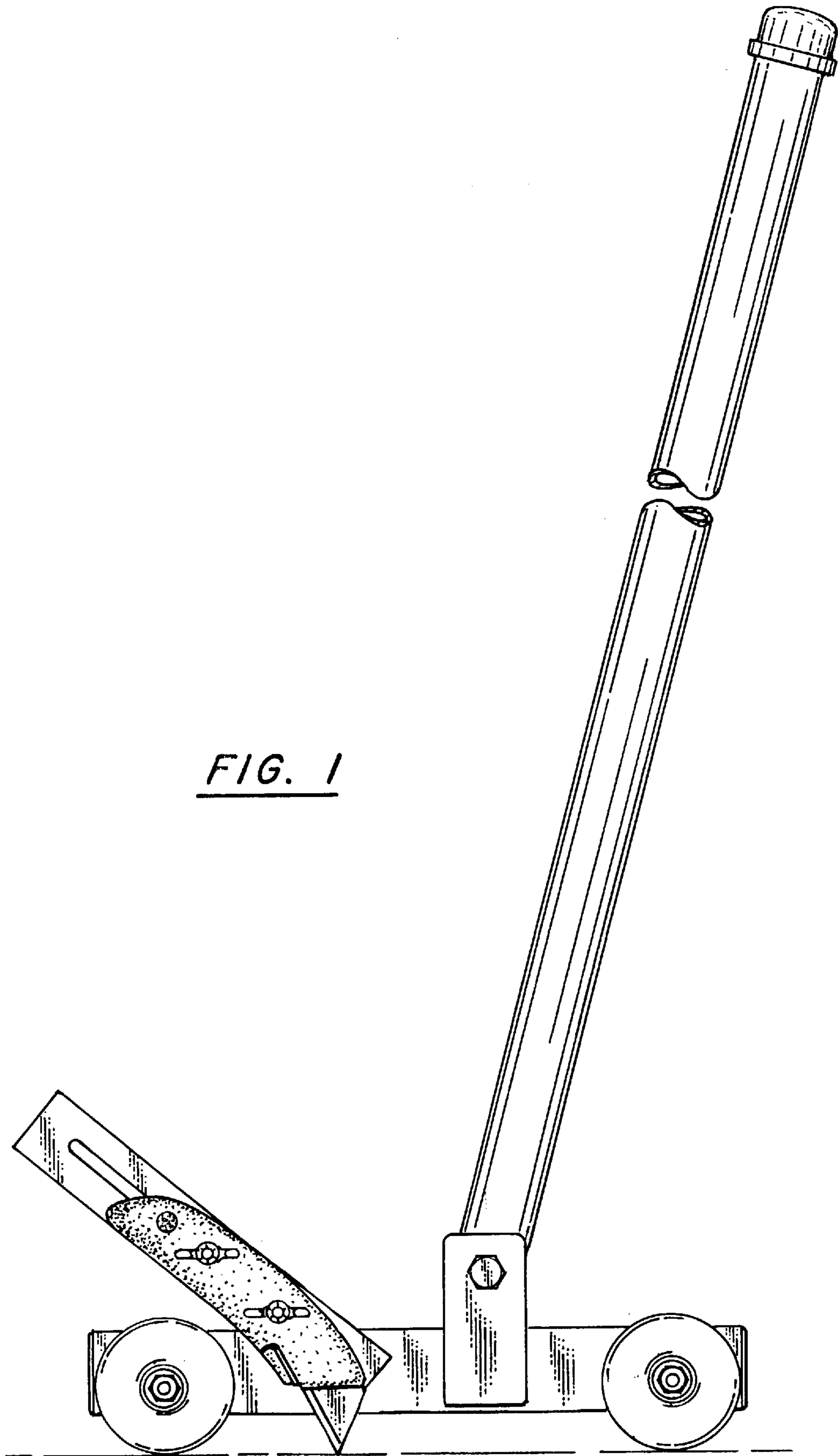
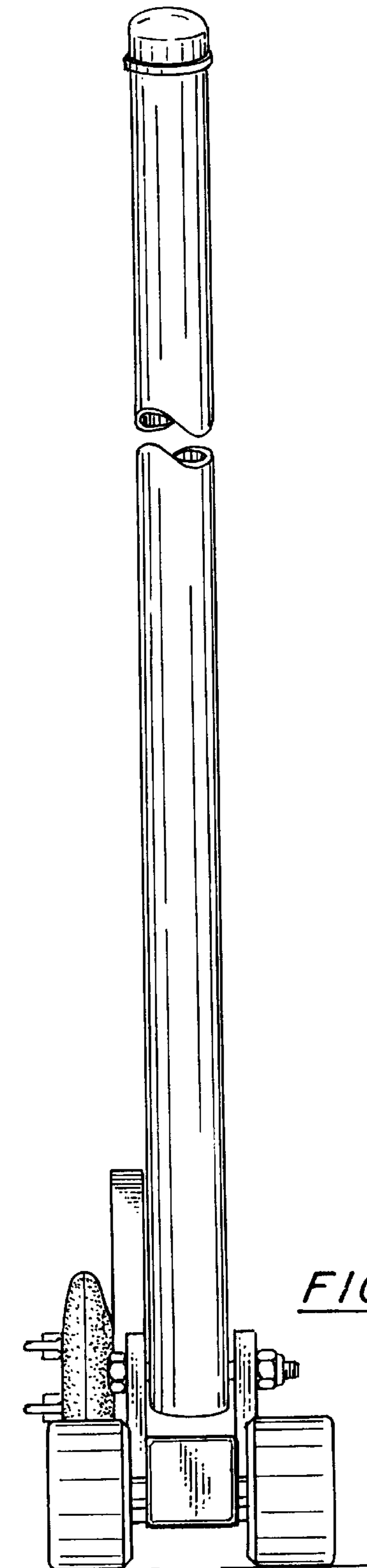
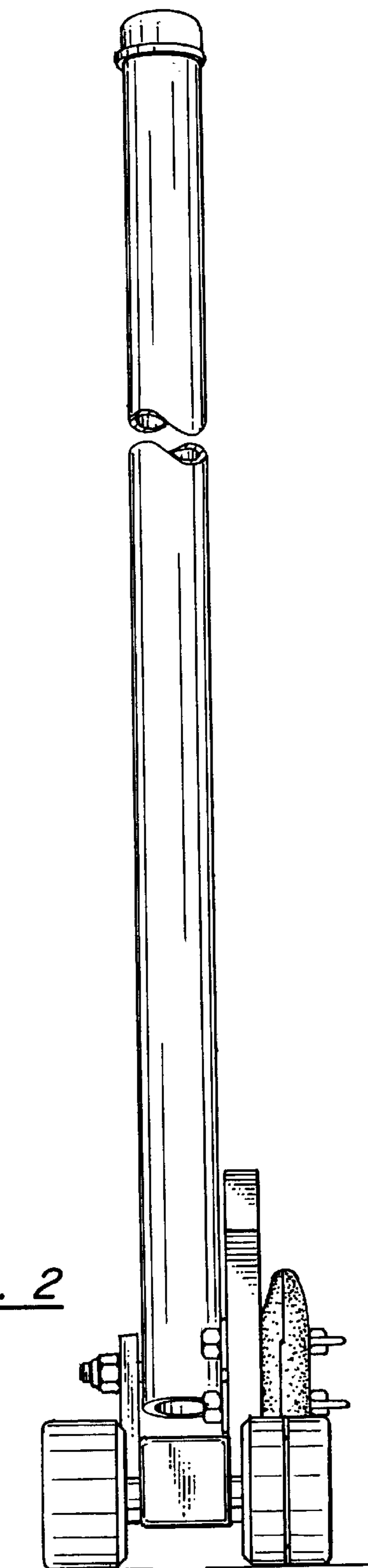


FIG. 1



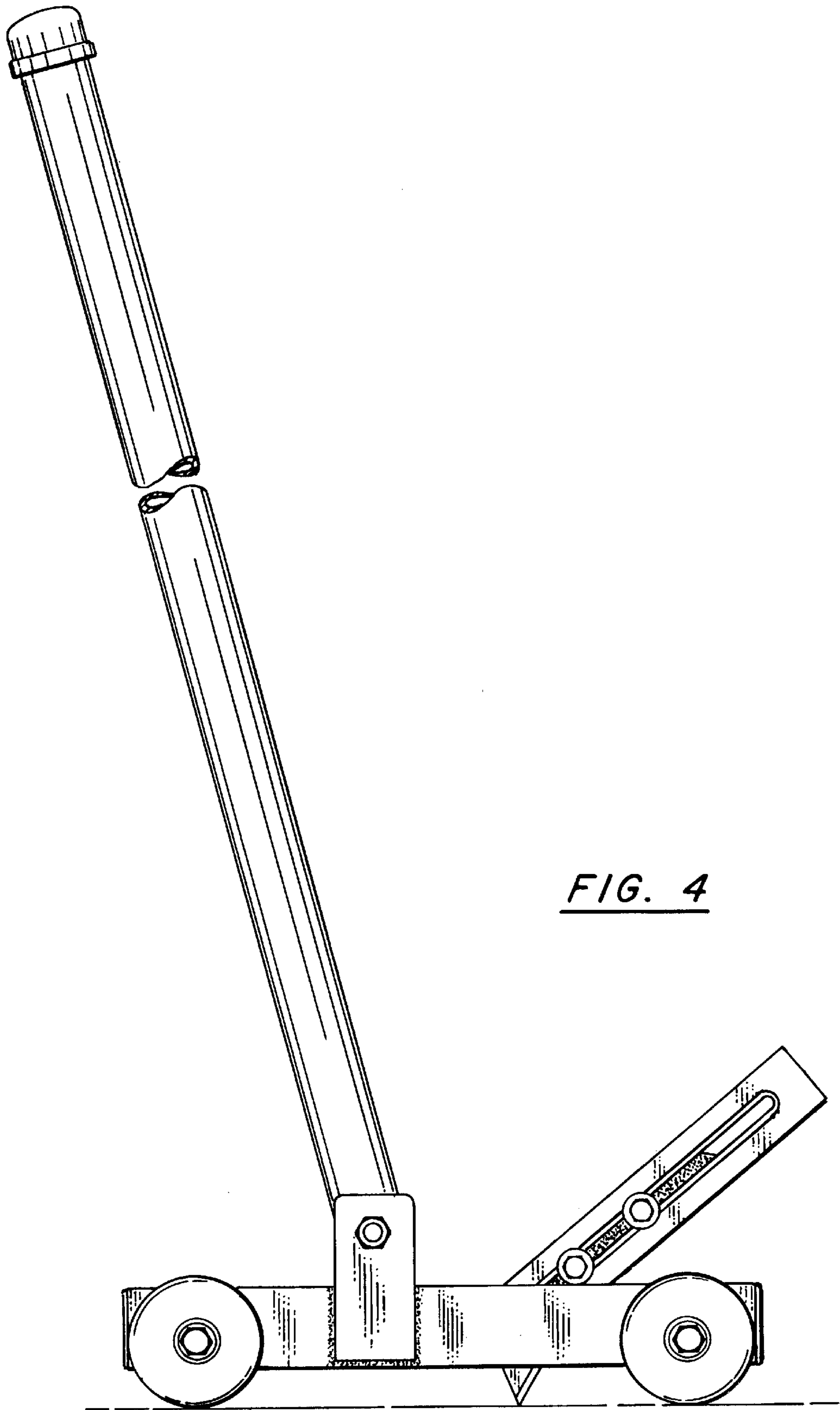


FIG. 4

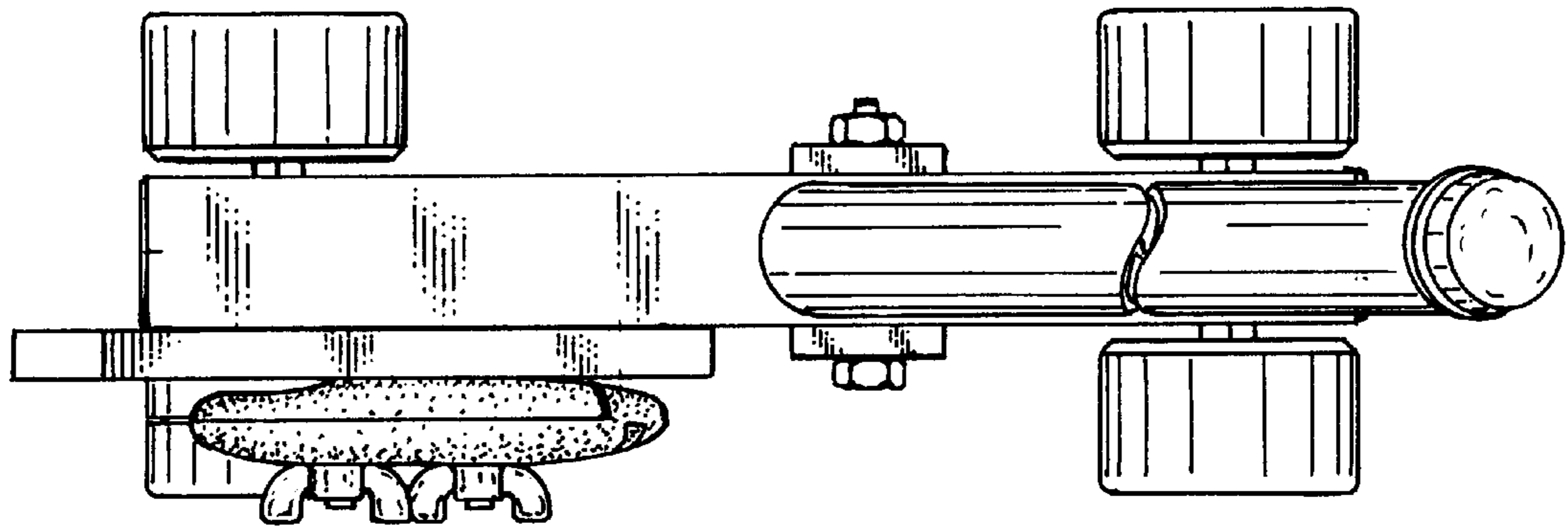


FIG. 5

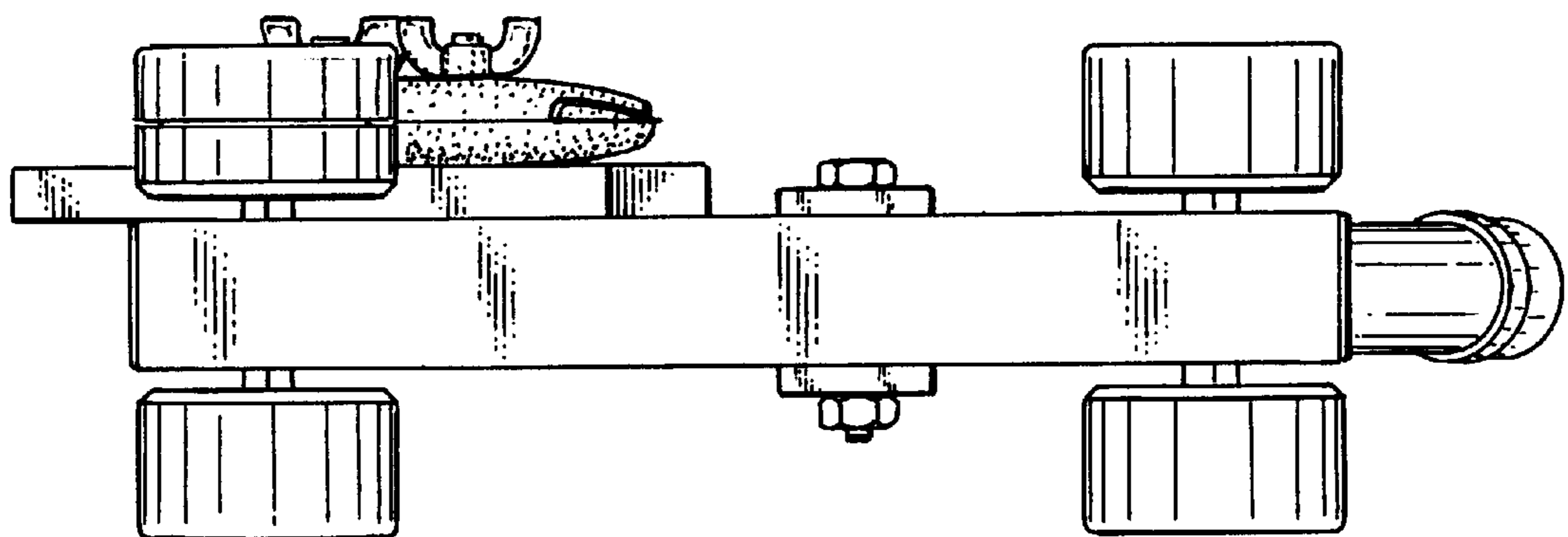


FIG. 6