



US00D415173S

**United States Patent** [19]  
**Zaun**

[11] **Patent Number: Des. 415,173**

[45] **Date of Patent: \*\* Oct. 12, 1999**

[54] **TILLAGE SWEEP**

[75] Inventor: **Richard David Zaun**, West Des Moines, Iowa

[73] Assignee: **Deere & Company**, Moline, Ill.

[\*\*] Term: **14 Years**

[21] Appl. No.: **29/094,234**

[22] Filed: **Sep. 29, 1998**

[51] **LOC (6) Cl.** ..... **15-03**

[52] **U.S. Cl.** ..... **D15/29**

[58] **Field of Search** ..... D15/10-12, 28,  
D15/29, 32; 37/452; 172/699, 713, 730,  
770, 771

[56] **References Cited**

**U.S. PATENT DOCUMENTS**

- D. 190,335 5/1961 Livermore ..... D15/29
- D. 360,420 7/1995 Woodward et al. .... D15/29
- D. 376,373 12/1996 Peterson et al. .... D15/29

- 3,225,467 12/1965 Troeppl ..... 37/452
- 4,787,462 11/1988 Nichols ..... 172/730
- 5,499,686 3/1996 Parker ..... 172/730

*Primary Examiner*—Sandra L. Morris

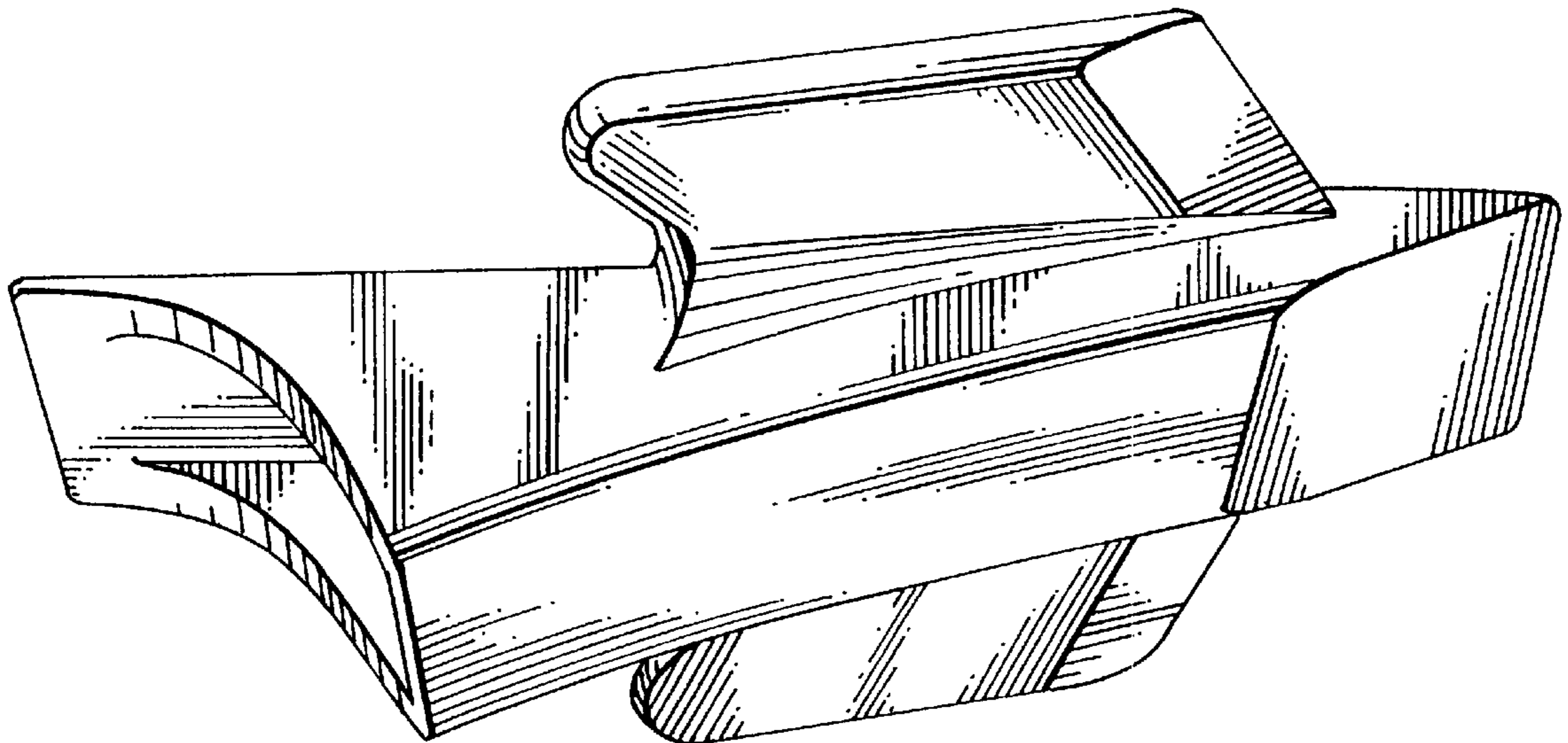
[57] **CLAIM**

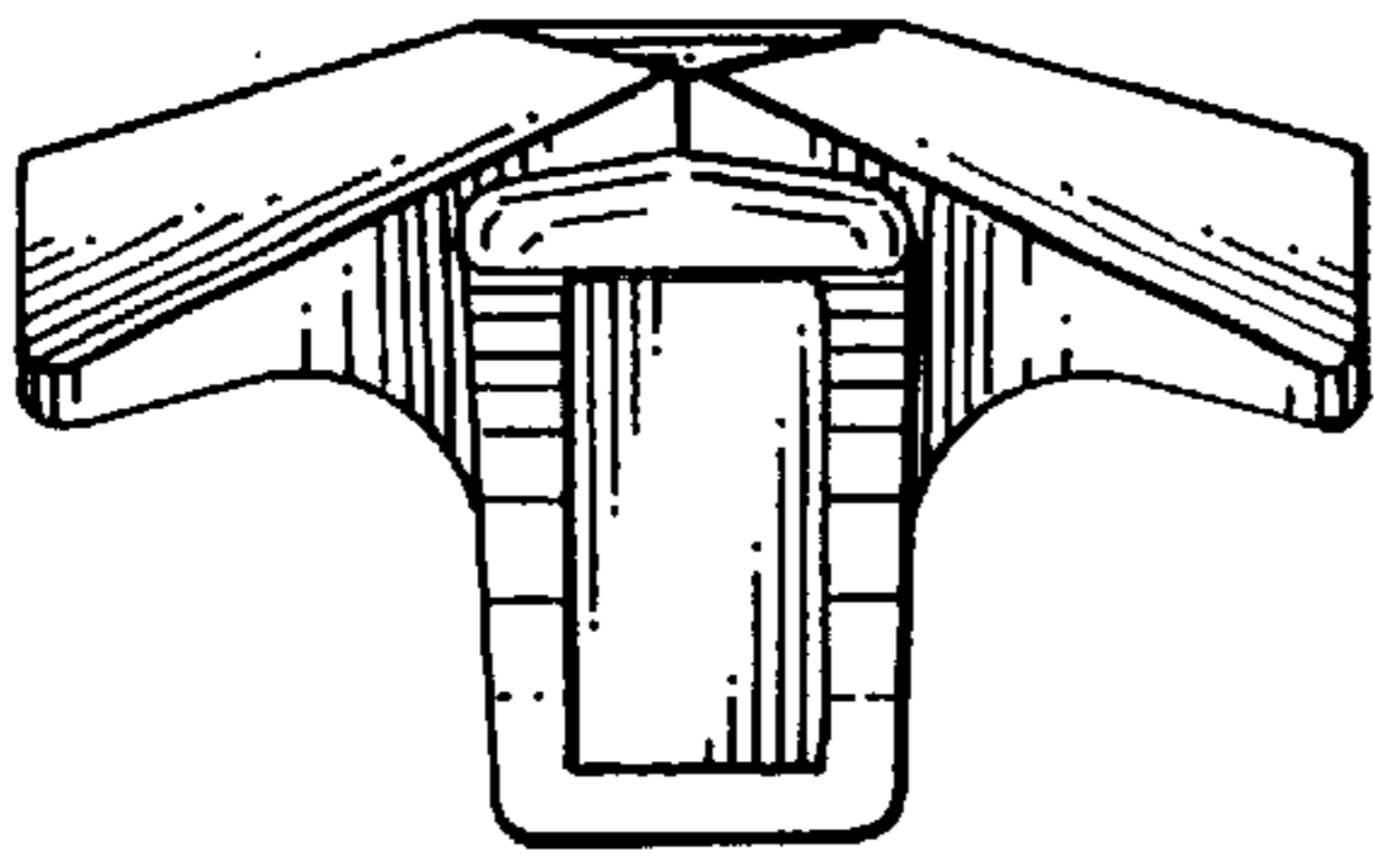
The ornamental design for a tillage sweep, as shown and described.

**DESCRIPTION**

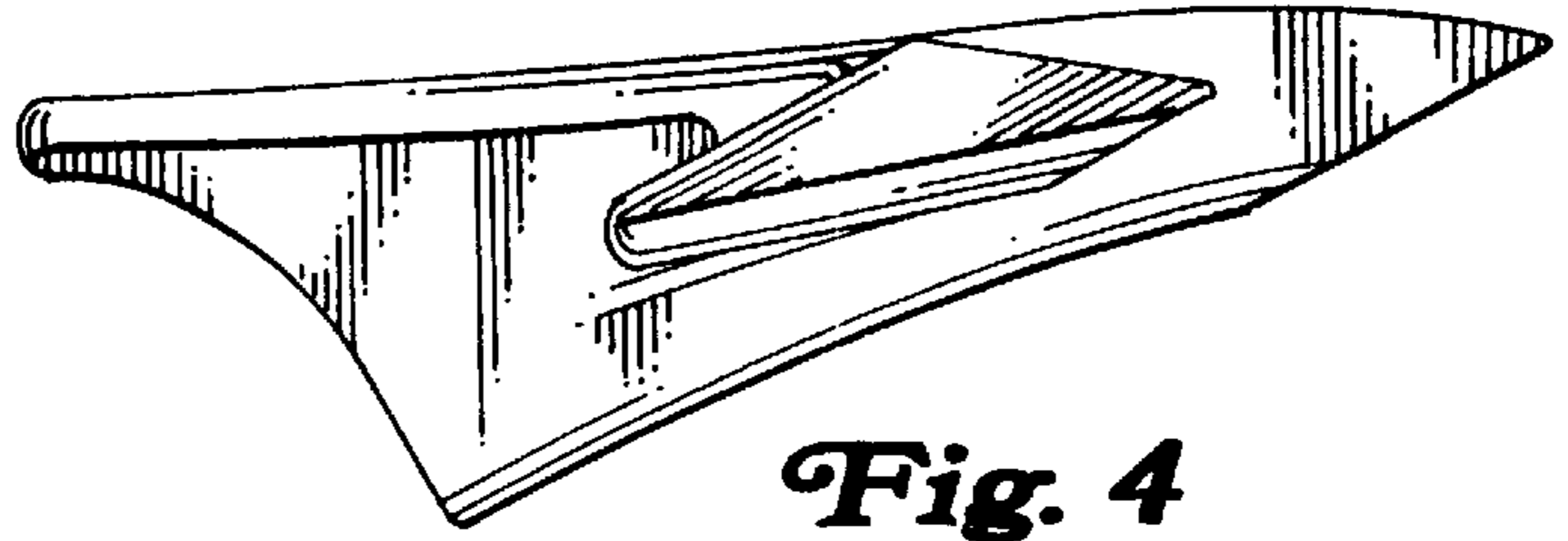
FIG. 1 is a perspective view of the bottom of a tillage sweep showing my new design;  
 FIG. 2 is a bottom plan view thereof;  
 FIG. 3 is a front view of the tillage sweep design of FIG. 1;  
 FIG. 4 is a right side view of the tillage sweep of FIG. 1;  
 FIG. 5 is a rear view of the tillage sweep design of FIG. 1;  
 FIG. 6 is a top plan view thereof; and,  
 FIG. 7 is a left side view of the tillage sweep design of FIG. 1.  
 FIGS. 2-7 are shown on a reduced scale.

**1 Claim, 2 Drawing Sheets**

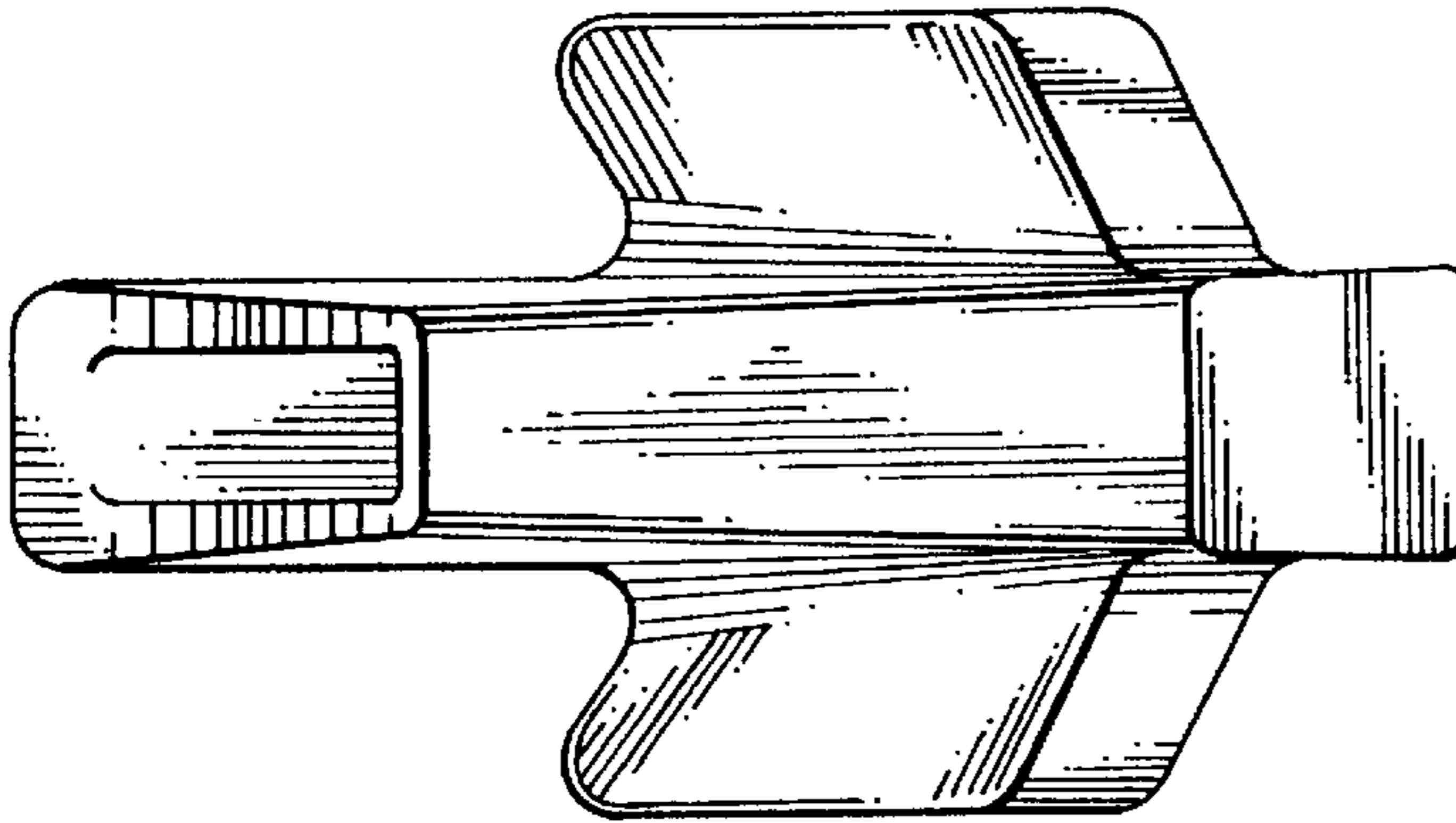




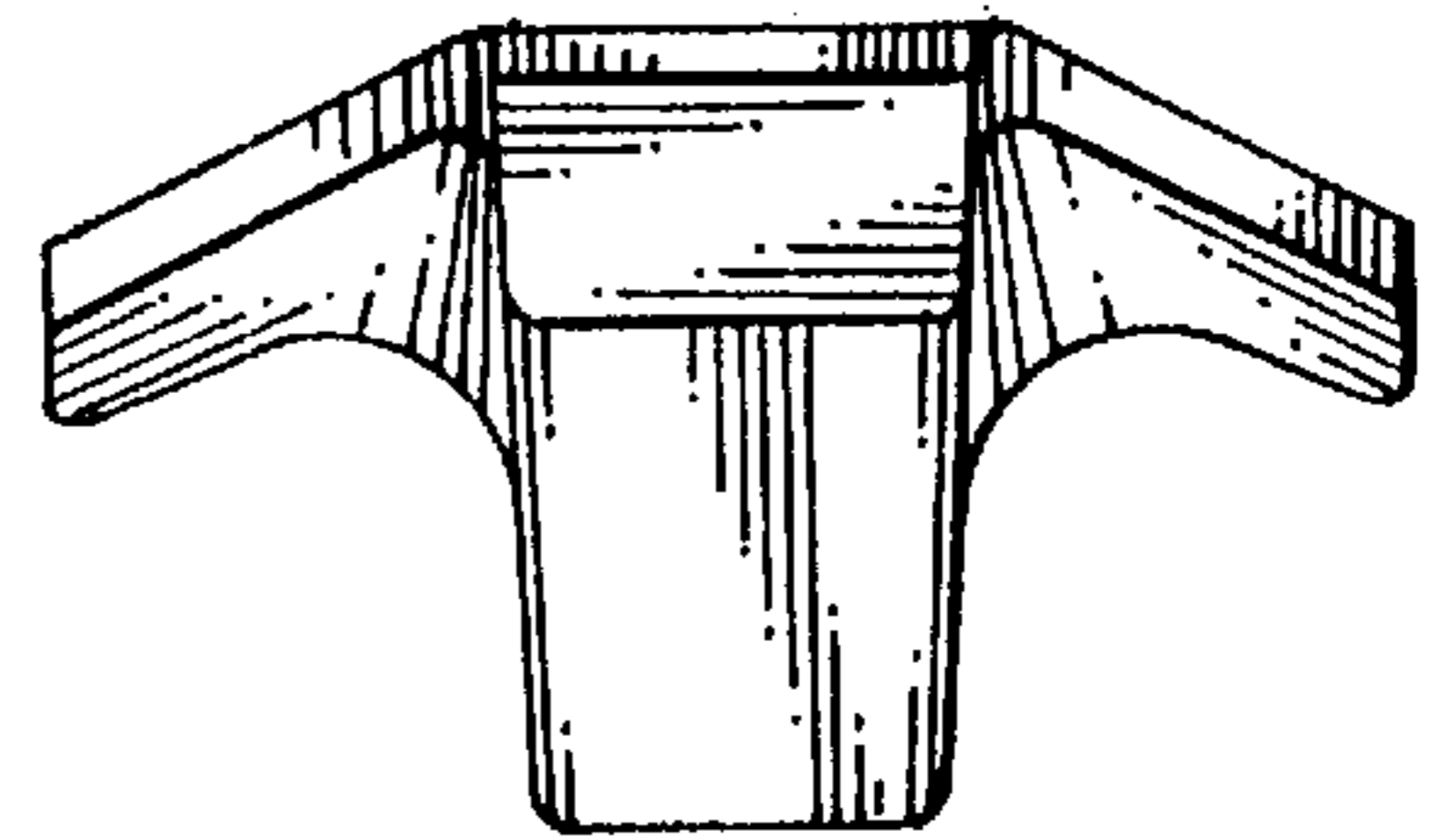
**Fig. 5**



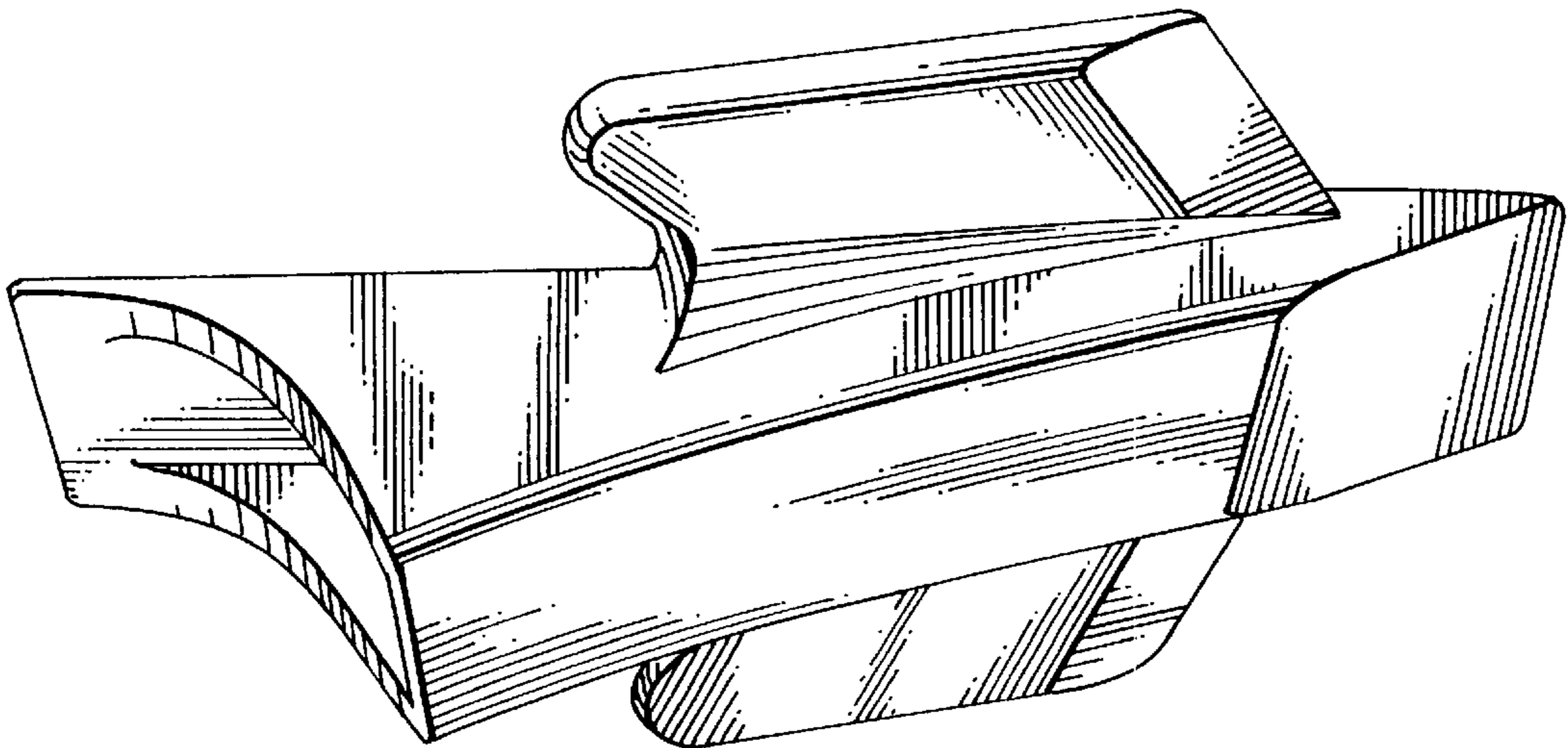
**Fig. 4**



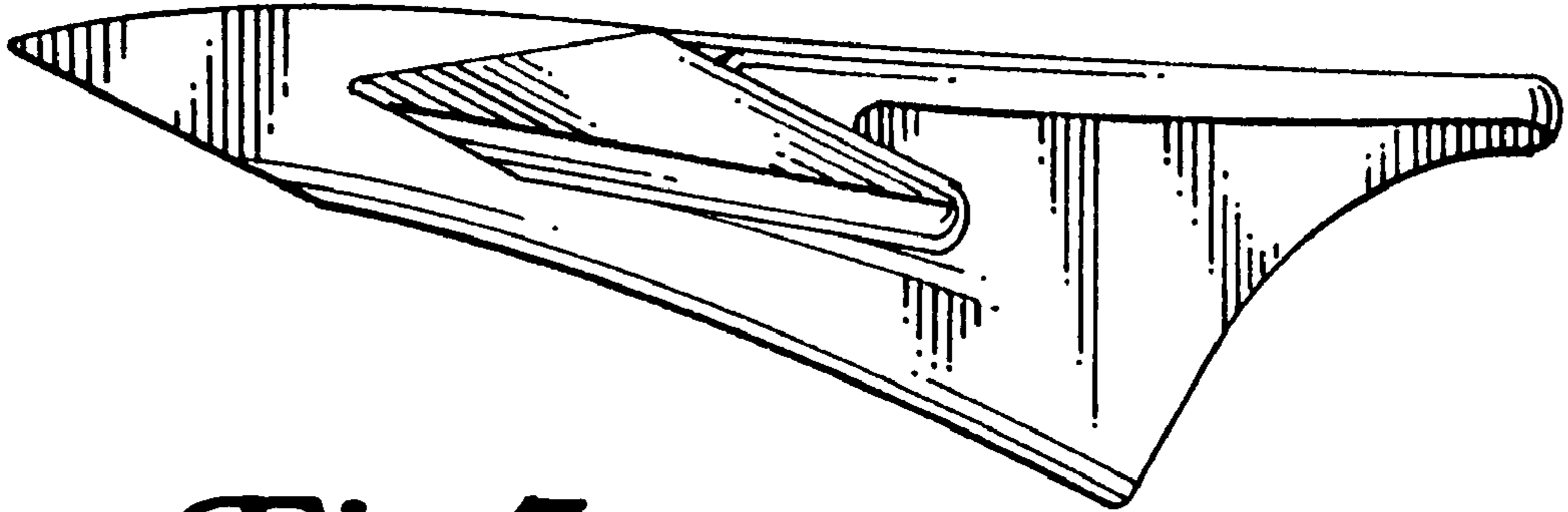
**Fig. 2**



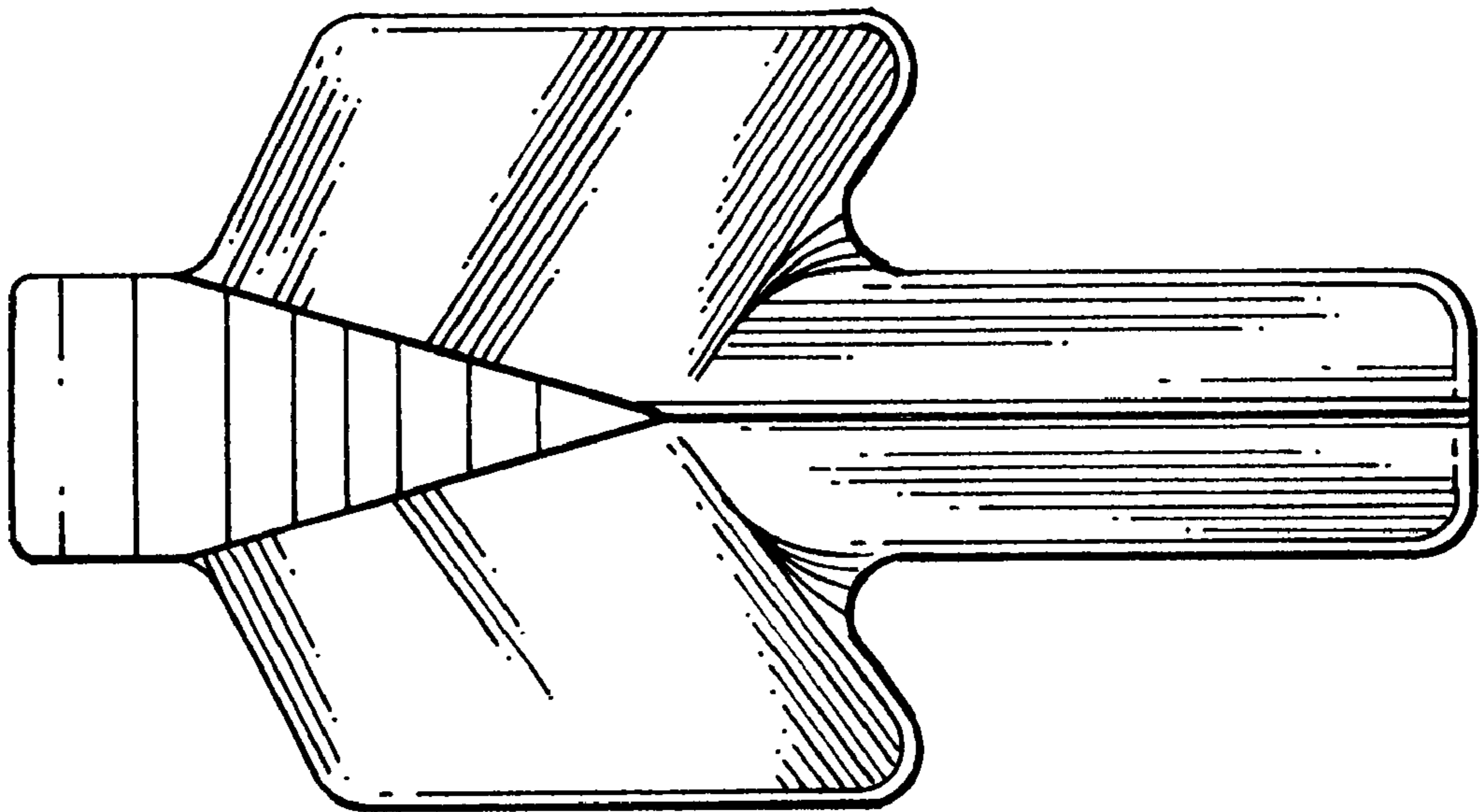
**Fig. 3**



**Fig. 1**



**Fig. 7**



**Fig. 6**