



US00D415165S

United States Patent [19]

Tokiyama et al.

[11] Patent Number: **Des. 415,165**

[45] Date of Patent: **** Oct. 12, 1999**

[54] **FRONT SECTION FOR A MOBILE RADIO**

[75] Inventors: **Masaru Tokiyama**, Coral Springs, Fla.;
Glen A. Oross, Corvallis, Oreg.;
Richard A. Ceraldi, Austin, Tex.;
Andreas R. Haase, Sunrise, Fla.

[73] Assignee: **Motorola, Inc.**, Schaumburg, Ill.

[**] Term: **14 Years**

[21] Appl. No.: **29/090,693**

[22] Filed: **Jul. 14, 1998**

[51] **LOC (6) Cl.** **14-03**

[52] **U.S. Cl.** **D14/258**

[58] **Field of Search** D14/124, 137,
D14/157, 217, 257, 258, 299; 455/73, 90,
128, 345, 347

[56] **References Cited**

U.S. PATENT DOCUMENTS

D. 305,760 1/1990 Davidson D14/157

D. 330,711 11/1992 Tokiyama D14/257
D. 356,092 3/1995 McCauley et al. D14/157 X
4,940,414 7/1990 Lee D14/157 X

Primary Examiner—Nanda Bondade
Attorney, Agent, or Firm—Andrew S. Fuller

[57] **CLAIM**

The ornamental design for a front section for a mobile radio, as shown and described.

DESCRIPTION

FIG. 1 is a front elevational view of a front section for a mobile radio showing our new design;
FIG. 2 is a left side elevational view thereof;
FIG. 3 is a right side elevational view thereof;
FIG. 4 is a top plan view thereof;
FIG. 5 is a bottom plan view thereof; and,
FIG. 6 is a top, left and front perspective view thereof.

1 Claim, 4 Drawing Sheets

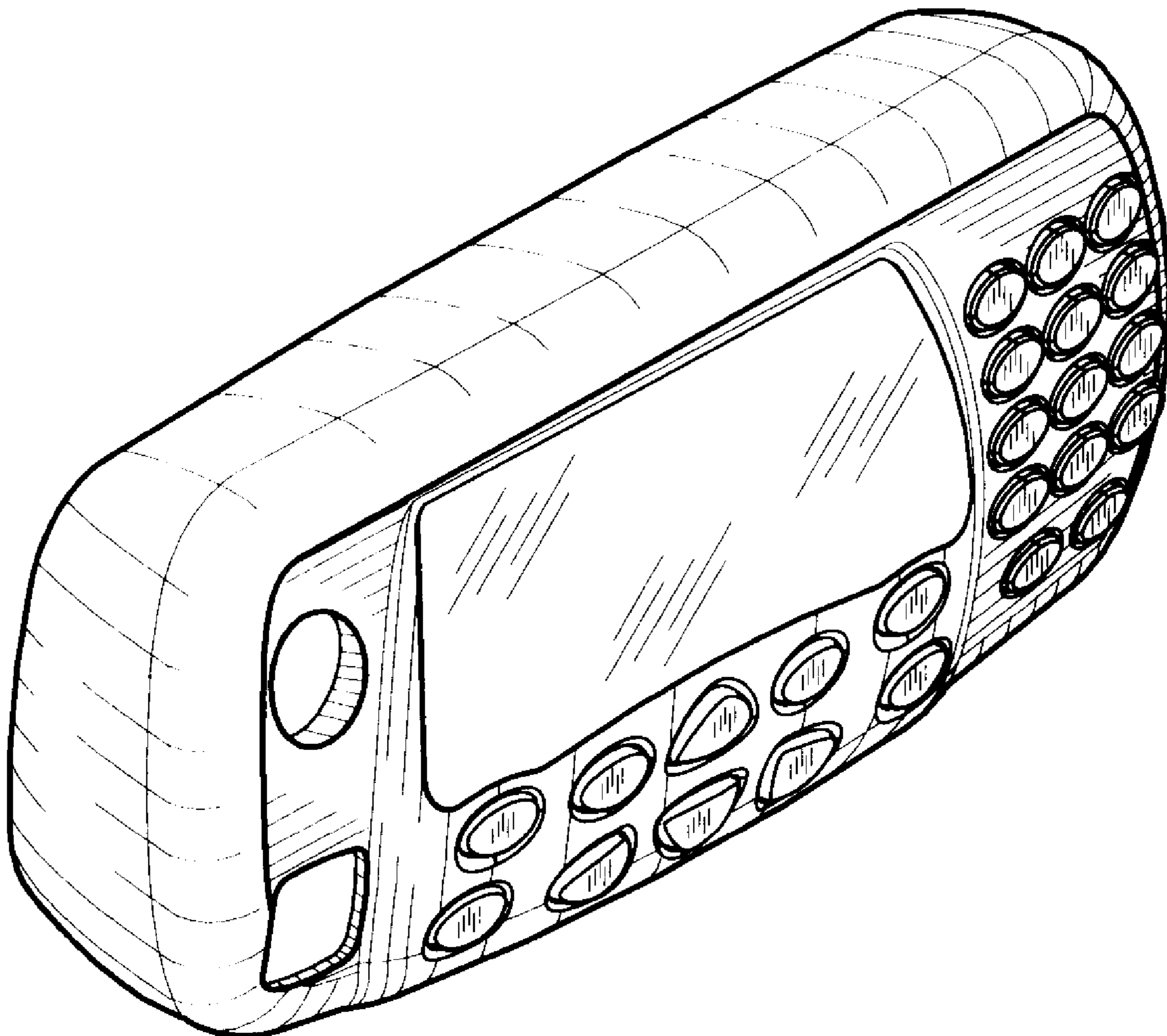


FIG. 1

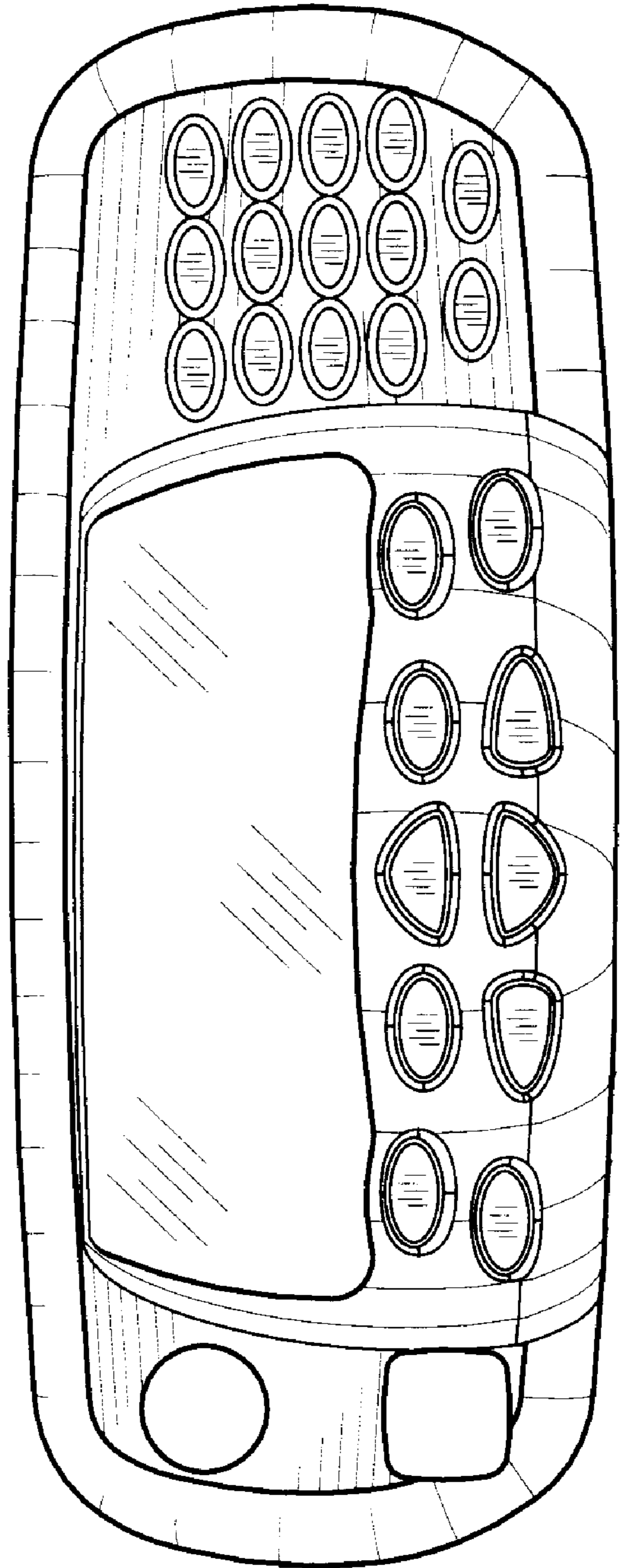


FIG. 3

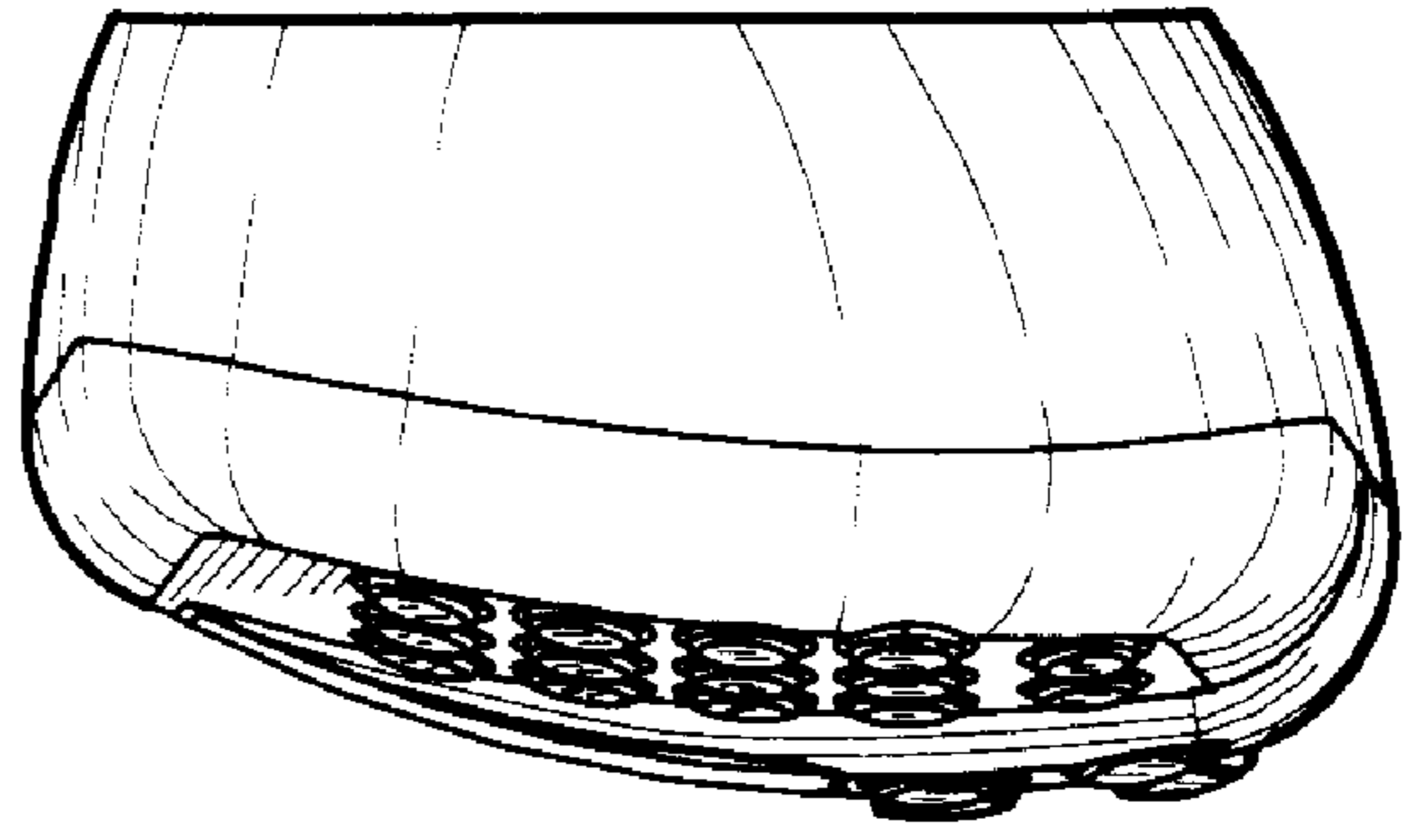


FIG. 2

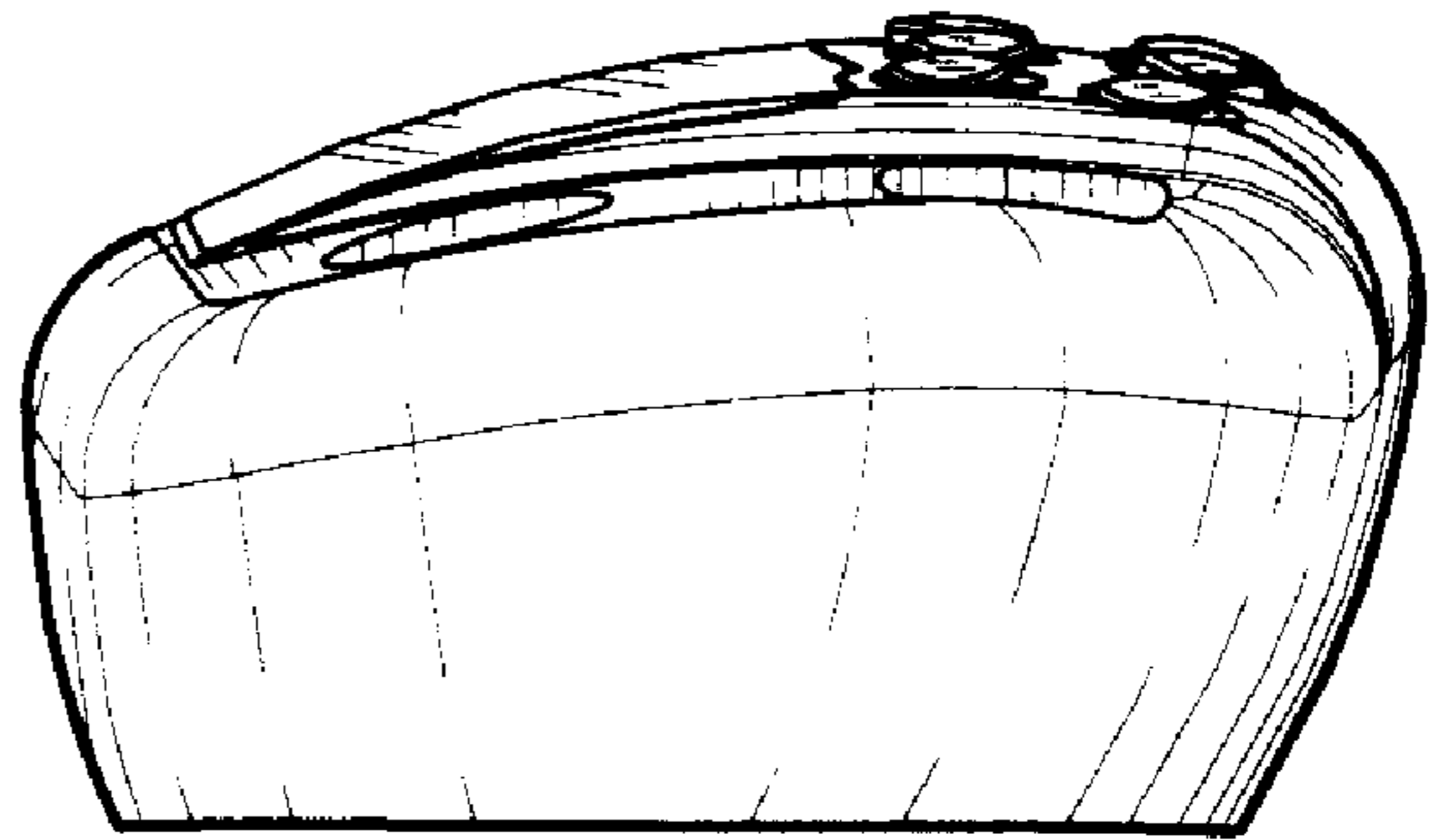


FIG. 4

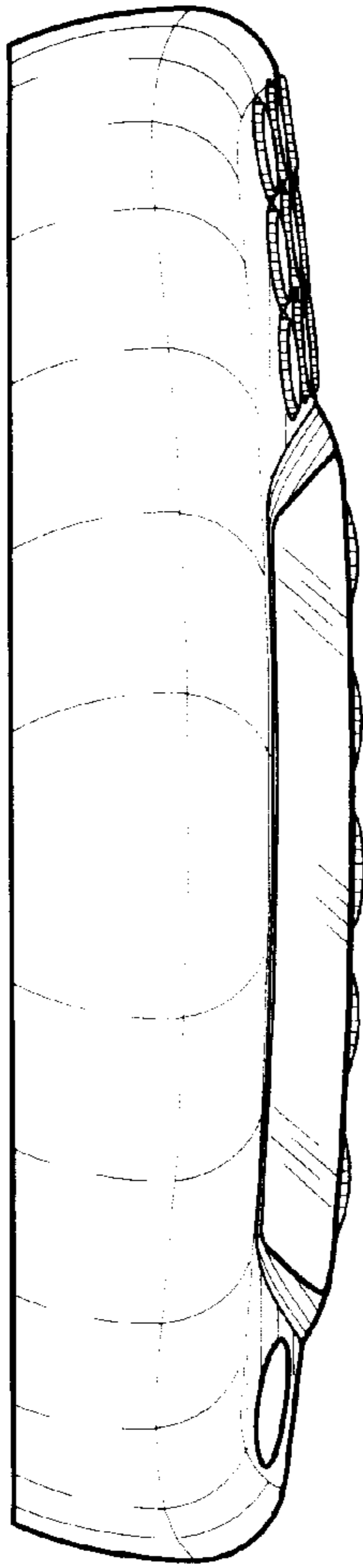


FIG. 5

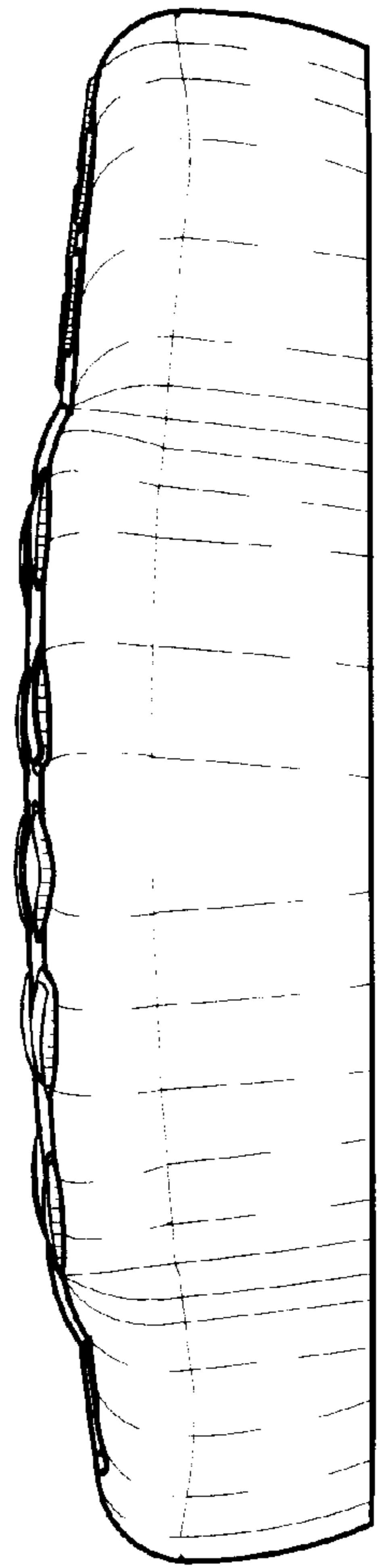


FIG. 6

