



US00D415159S

**United States Patent** [19]  
**Nakano**

[11] **Patent Number: Des. 415,159**  
[45] **Date of Patent: \*\* Oct. 12, 1999**

[54] **SPEAKER BOX**

[75] Inventor: **Rumi Nakano**, Tokyo, Japan

[73] Assignee: **Sony Corporation**, Tokyo, Japan

[\*\*] Term: **14 Years**

[21] Appl. No.: **29/086,991**

[22] Filed: **Apr. 24, 1998**

[51] **LOC (6) Cl.** ..... **14-01**

[52] **U.S. Cl.** ..... **D14/215; D14/216**

[58] **Field of Search** ..... **D14/114, 204,**  
**D14/207, 209-216; 181/144, 145, 147,**  
**148, 198, 199; 381/24, 88, 90, 159, 182,**  
**205**

[56] **References Cited**

**U.S. PATENT DOCUMENTS**

D. 317,008	5/1991	Emmerling	.....	D14/210	X
D. 319,243	8/1991	Yamakawa	.....	D14/215	X
D. 359,050	6/1995	Deguchi	.....	D14/215	X
5,319,164	6/1994	Shen	.....	D14/215	X

**OTHER PUBLICATIONS**

Sony Style, pp. 299-301, Fall/Winter 1996.  
Sony Catalog 86, pp. 156 and 157, Jul. 1997.

*Primary Examiner*—Ted Shooman  
*Assistant Examiner*—Nanda Bondade  
*Attorney, Agent, or Firm*—Foley & Lardner

[57] **CLAIM**

The ornamental design for a speaker box, as shown and described.

**DESCRIPTION**

FIG. 1 is a perspective view of a speaker box showing my new design;  
FIG. 2 is a top plan view thereof;  
FIG. 3 is a left side elevational view thereof, a right side elevational view being a mirror image;  
FIG. 4 is a front elevational view thereof;  
FIG. 5 is a bottom plan view thereof; and,  
FIG. 6 is a rear elevational view thereof.

**1 Claim, 3 Drawing Sheets**

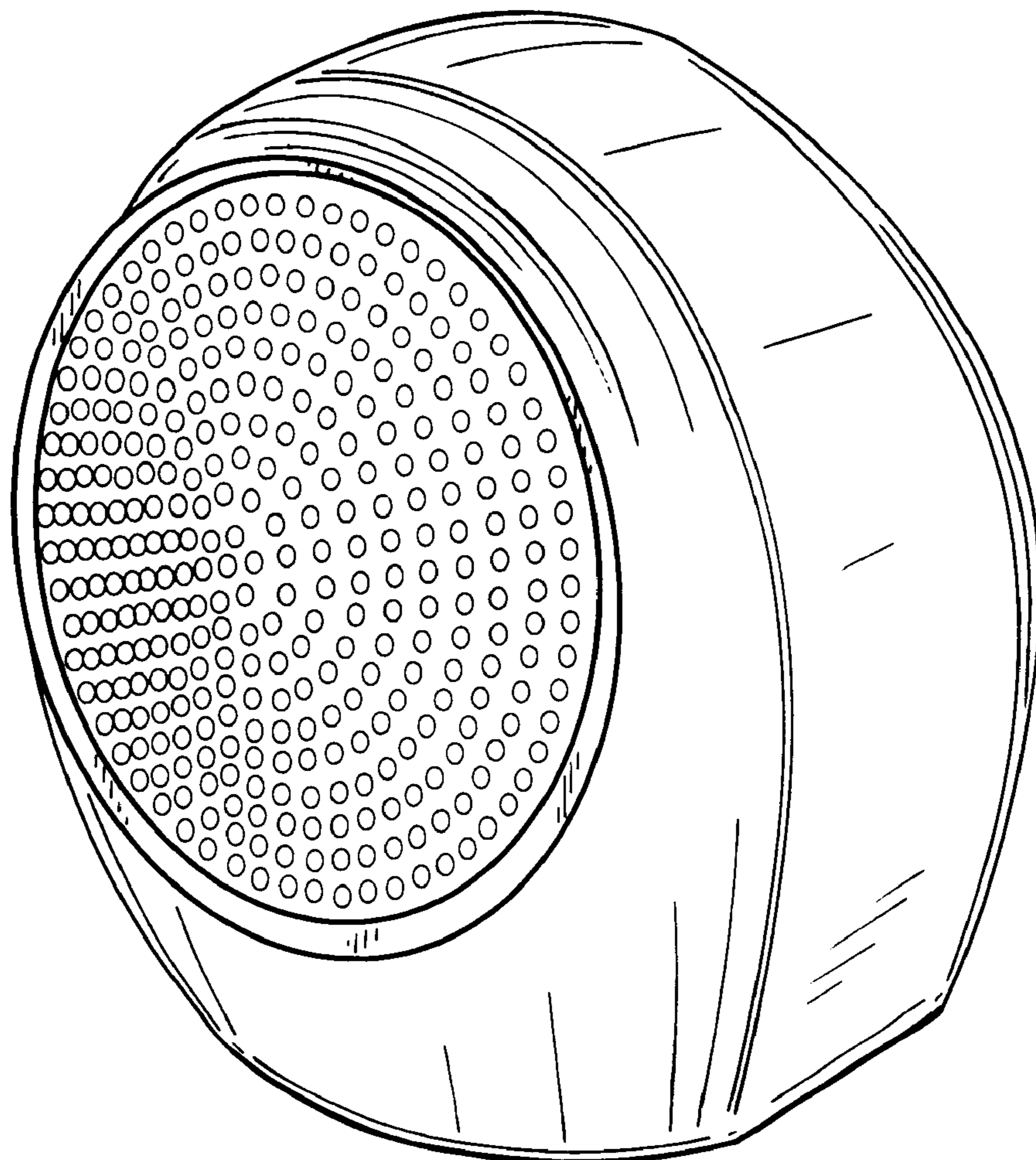


FIG. 1

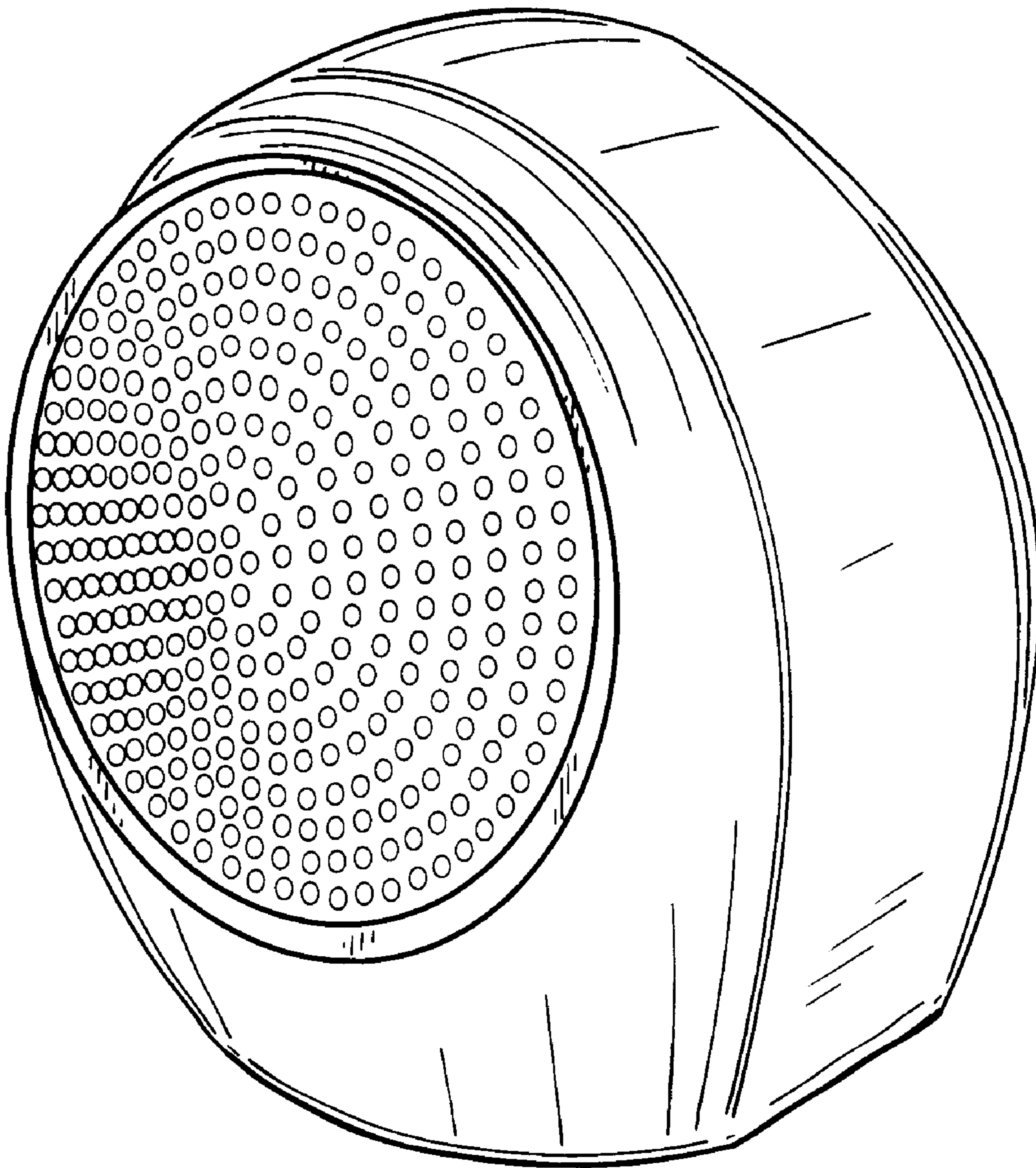


FIG. 2

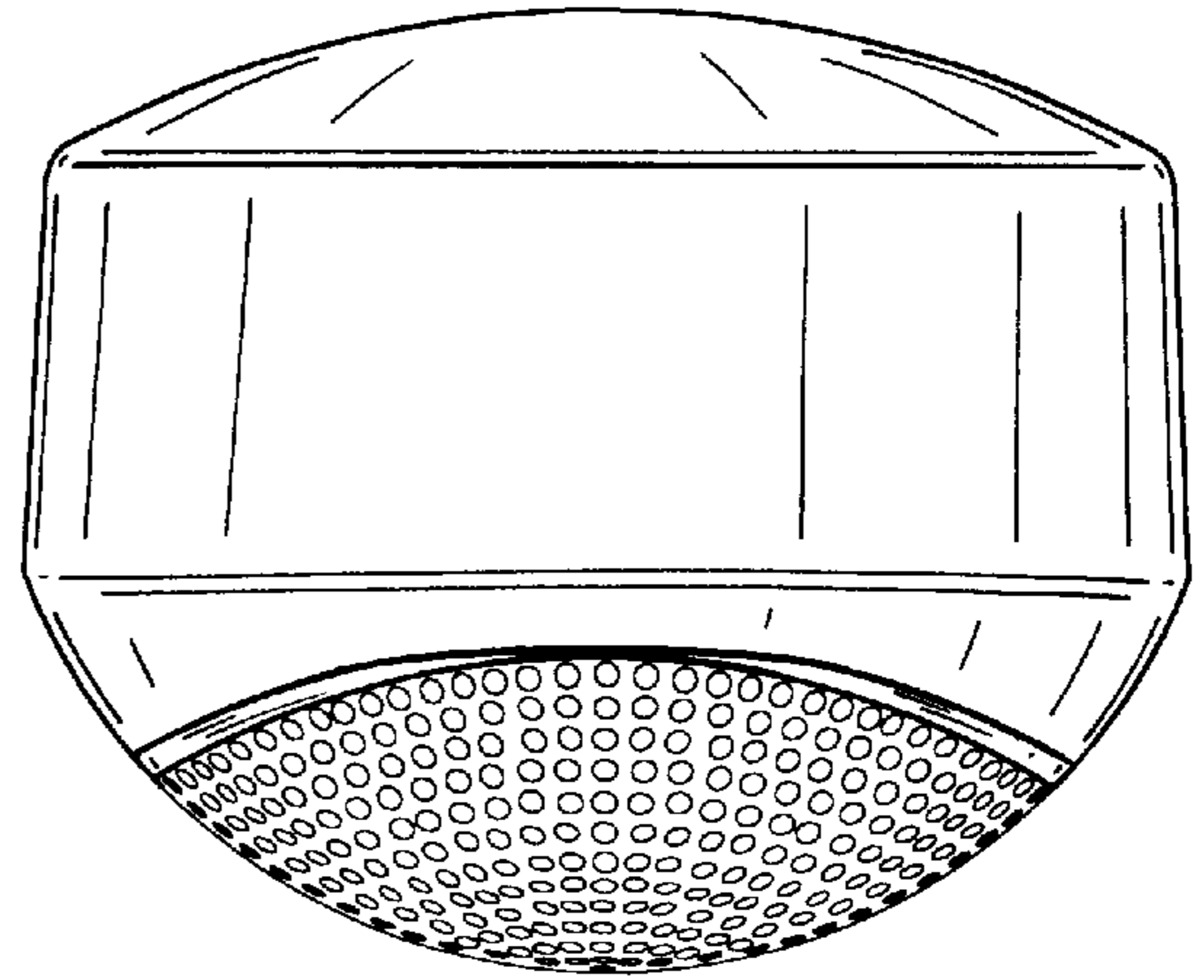


FIG. 3

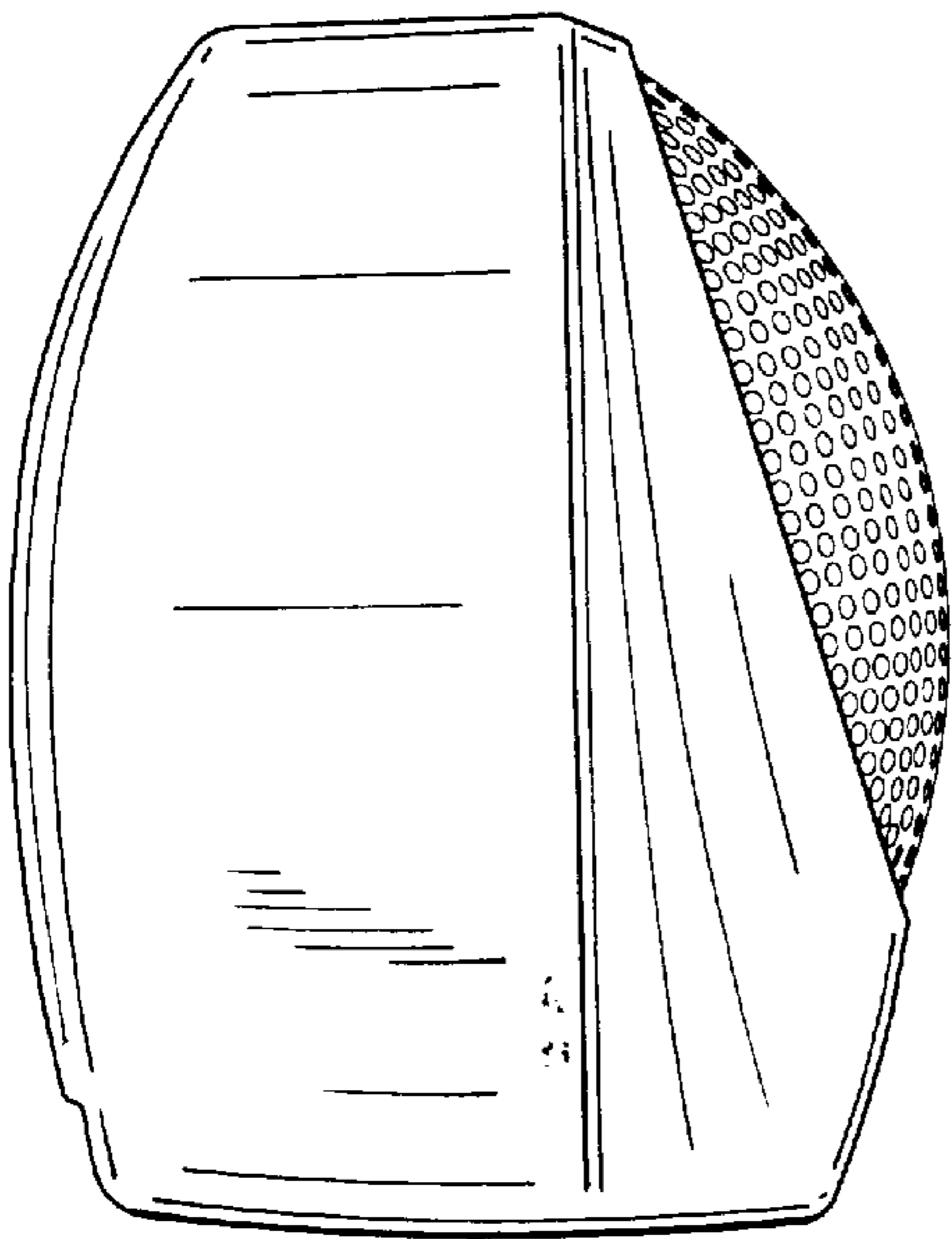


FIG. 4

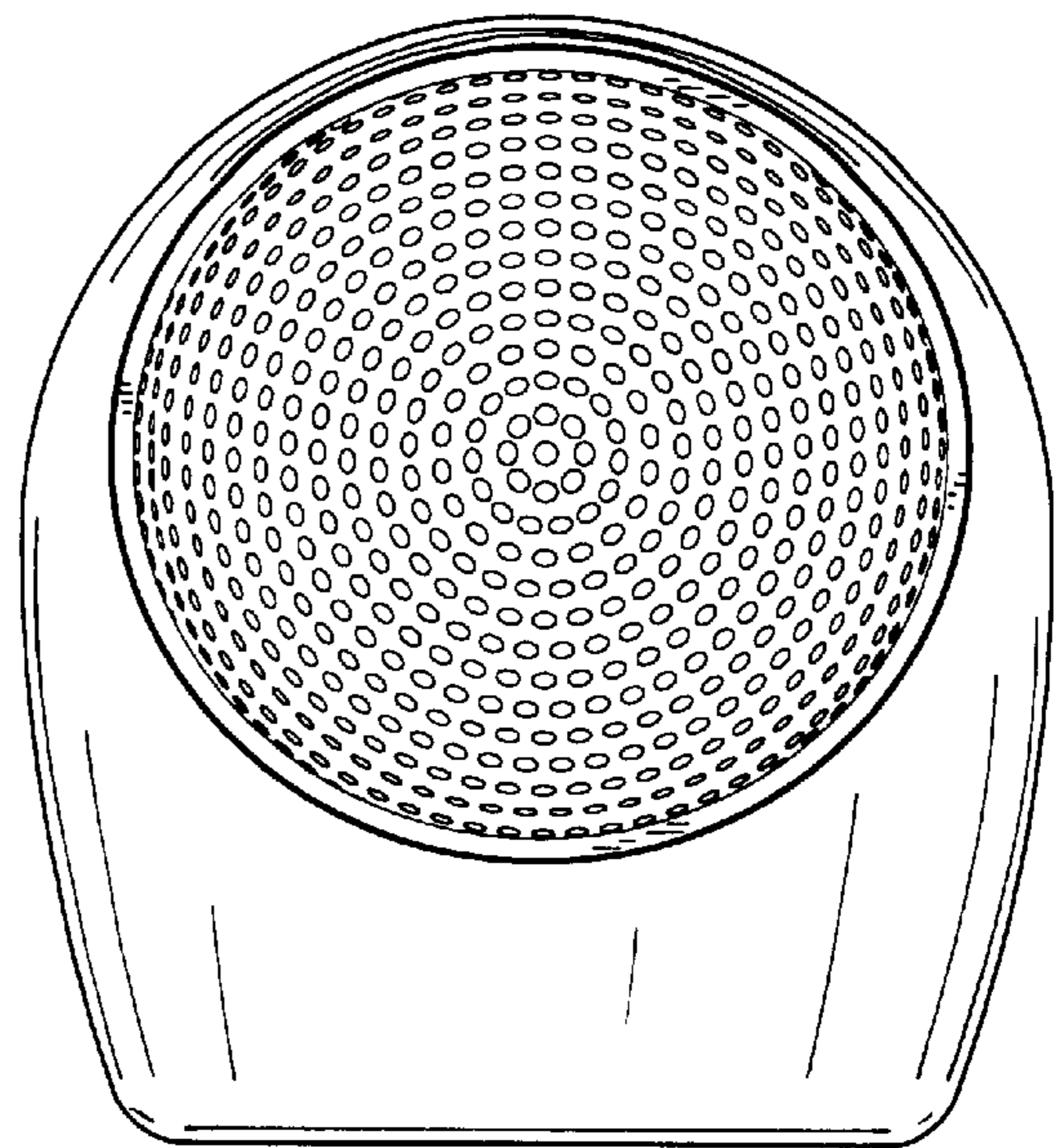


FIG. 5

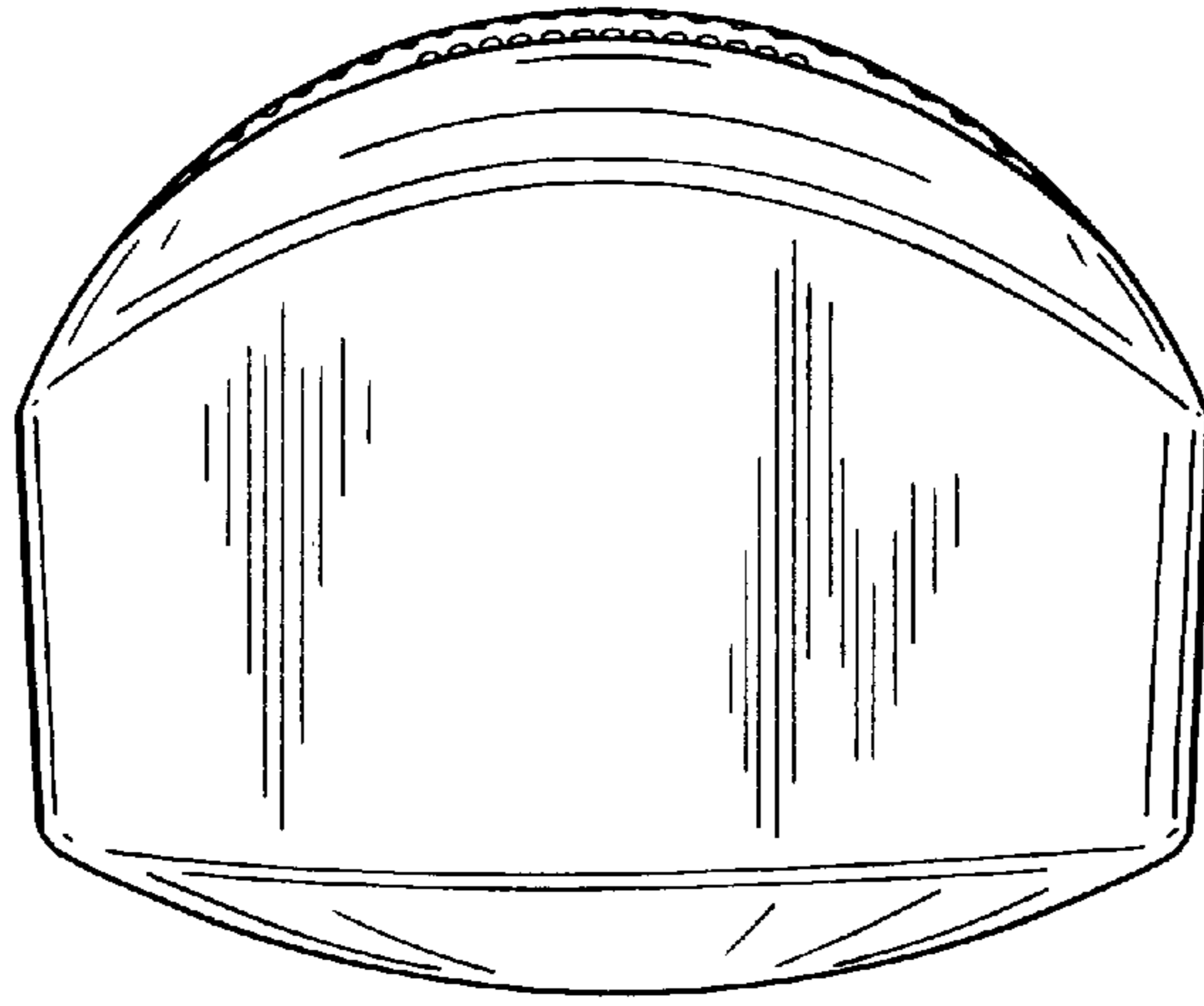


FIG. 6

