



US00D415157S

United States Patent [19] Rabbani

[11] **Patent Number: Des. 415,157**

[45] **Date of Patent: ** Oct. 12, 1999**

[54] **AMPLIFIER**

D. 386,178 11/1997 Frederick et al. D14/188
5,285,500 2/1994 Mantz 455/348 X

[75] Inventor: **Soheil Rabbani**, Calabasas, Calif.

Primary Examiner—Nanda Bondade
Attorney, Agent, or Firm—Pillsbury Madison & Sutro LLP

[73] Assignee: **AVA Enterprises, Inc.**, Chatsworth, Calif.

[57] **CLAIM**

[**] Term: **14 Years**

The ornamental design for an amplifier, as shown and described.

[21] Appl. No.: **29/097,284**

DESCRIPTION

[22] Filed: **Dec. 2, 1998**

FIG. 1 is a perspective view of an amplifier showing my new design;

[51] **LOC (6) Cl.** **14-03**

[52] **U.S. Cl.** **D14/188**

FIG. 2 is a left side elevational view thereof;

[58] **Field of Search** D13/123; D14/124,
D14/188, 193–198, 299; 455/344, 346–348,
350, 351

FIG. 3 is a right side elevational view thereof;

FIG. 4 is a top plan view thereof;

FIG. 5 is a front elevational view thereof, which is a mirror image of the rear elevational view thereof; and,

FIG. 6 is a bottom plan view thereof.

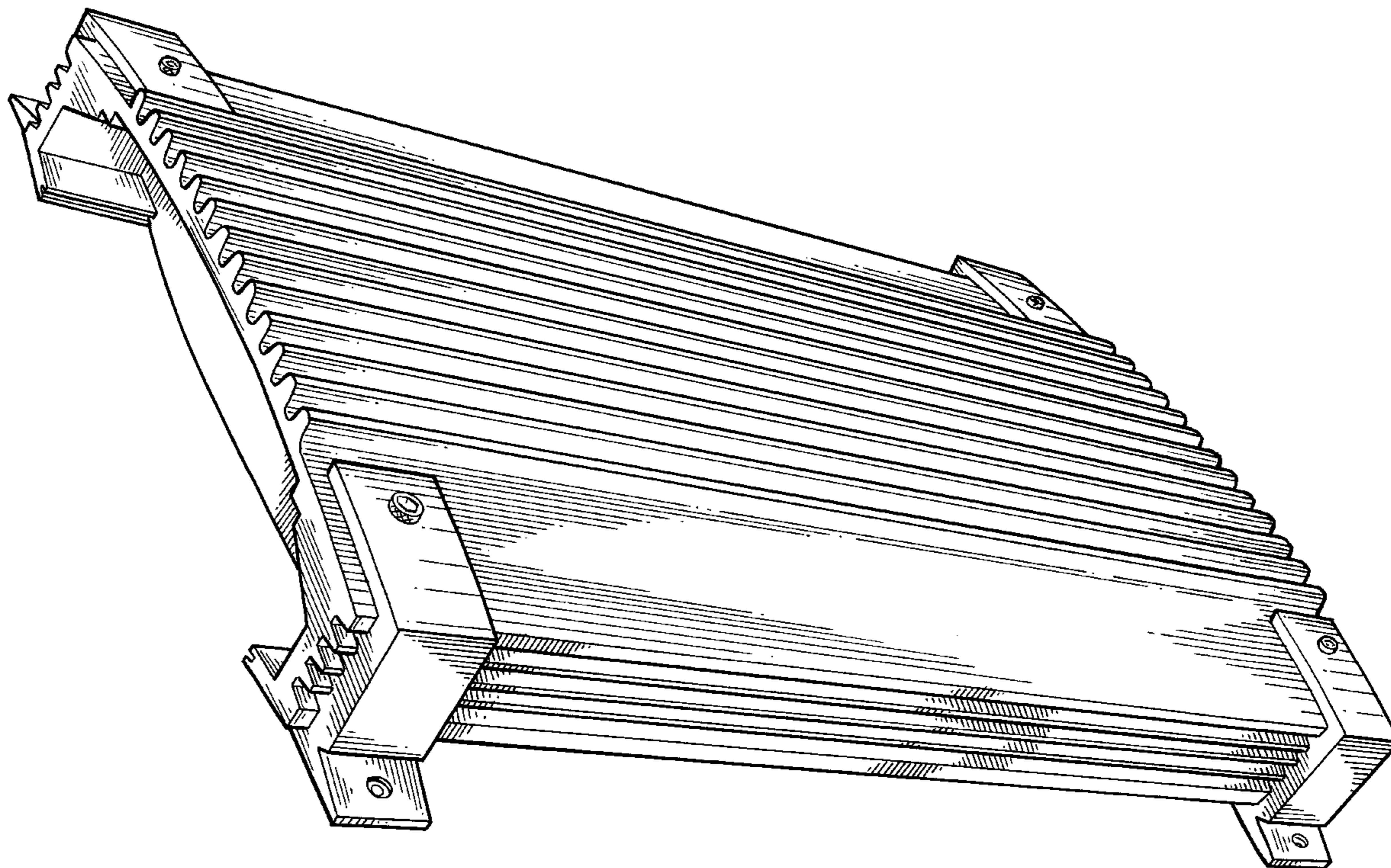
The broken line showing on FIGS. 2, 3 and 6 is for illustrative purposes only and forms no part of the claimed design.

[56] **References Cited**

U.S. PATENT DOCUMENTS

- D. 322,069 12/1991 Seror D14/188
- D. 343,395 1/1994 Kakizaki D14/188
- D. 379,174 5/1997 Kornblum et al. D13/123

1 Claim, 5 Drawing Sheets



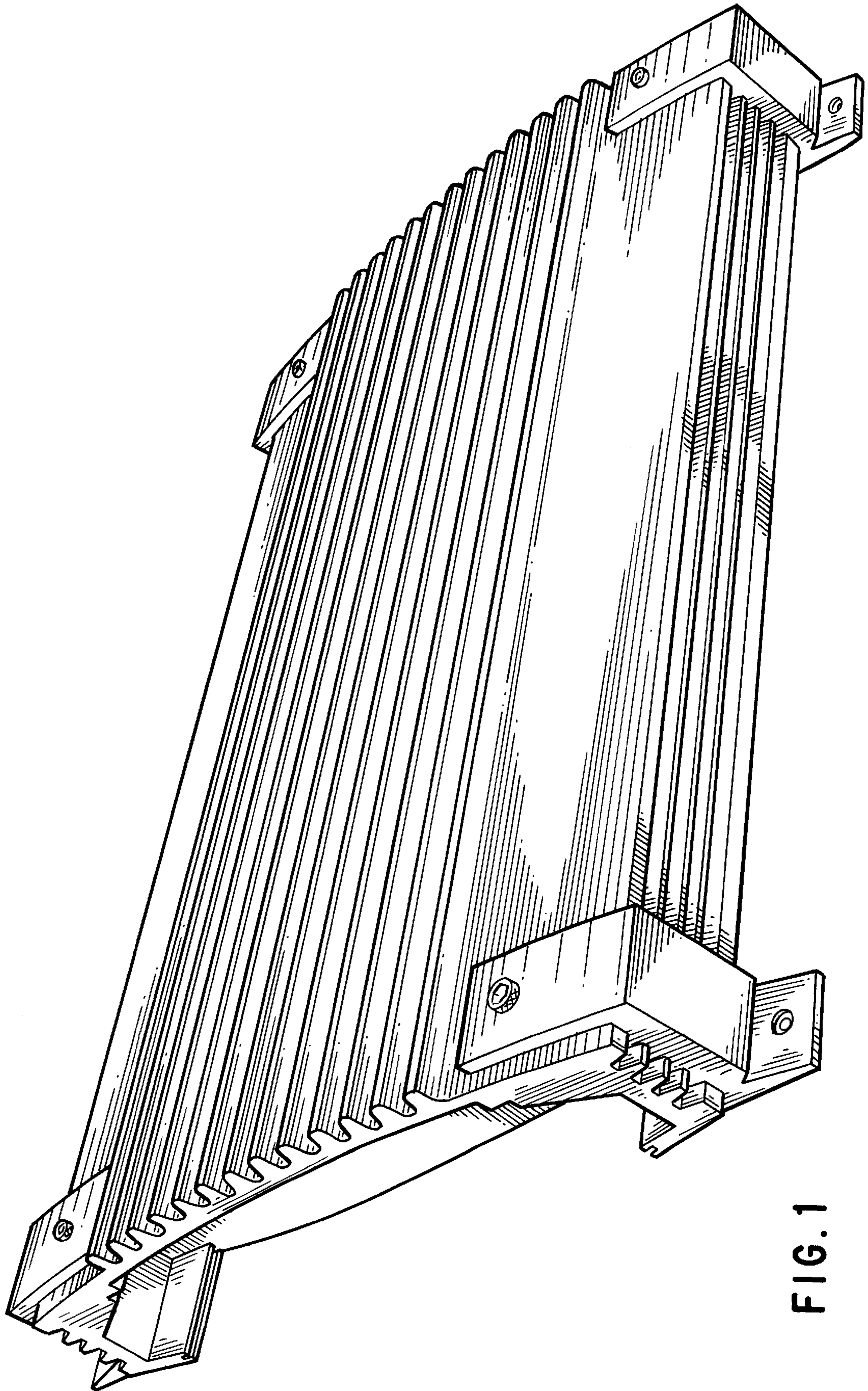


FIG. 1

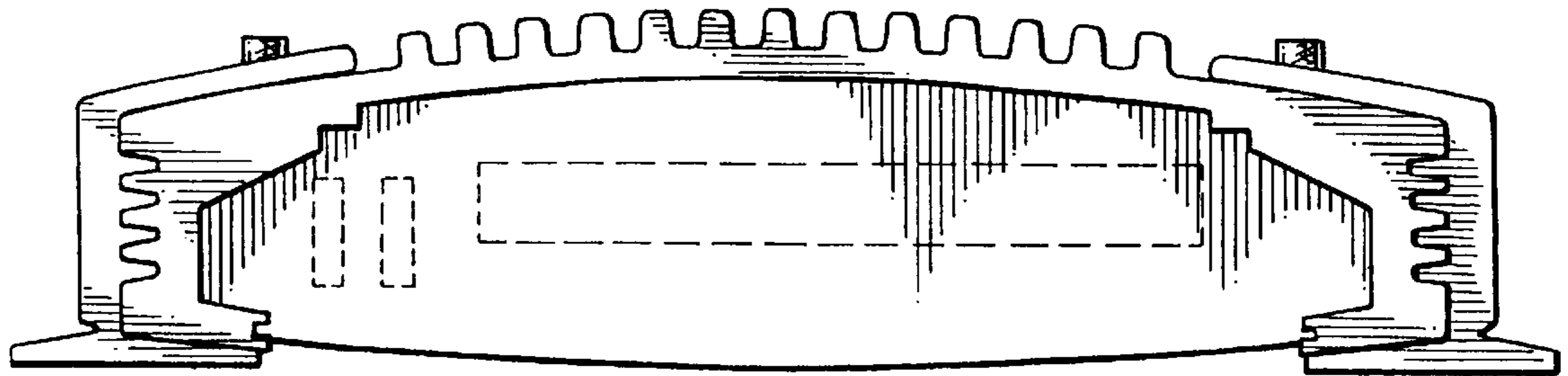


FIG. 2

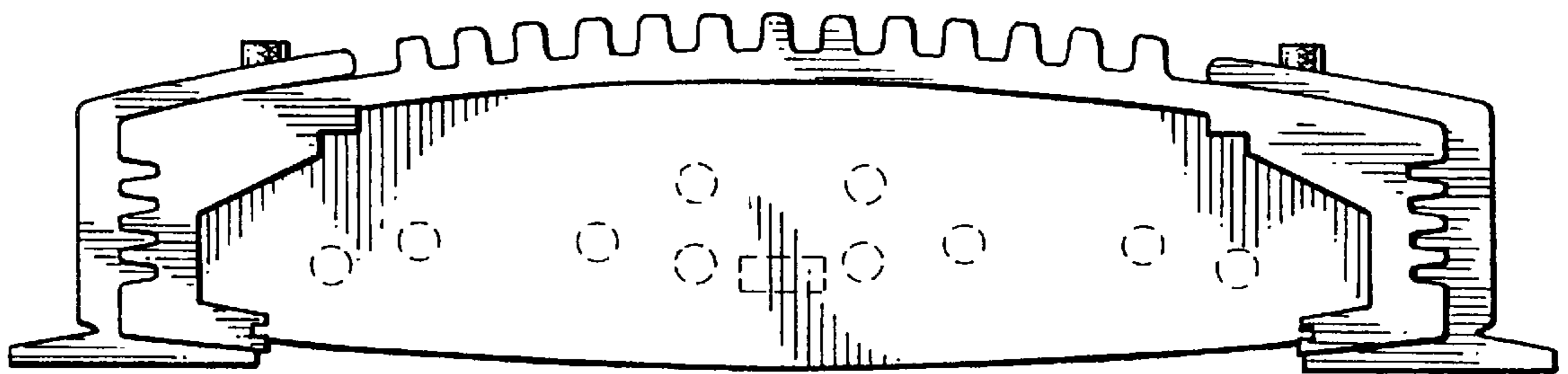


FIG. 3

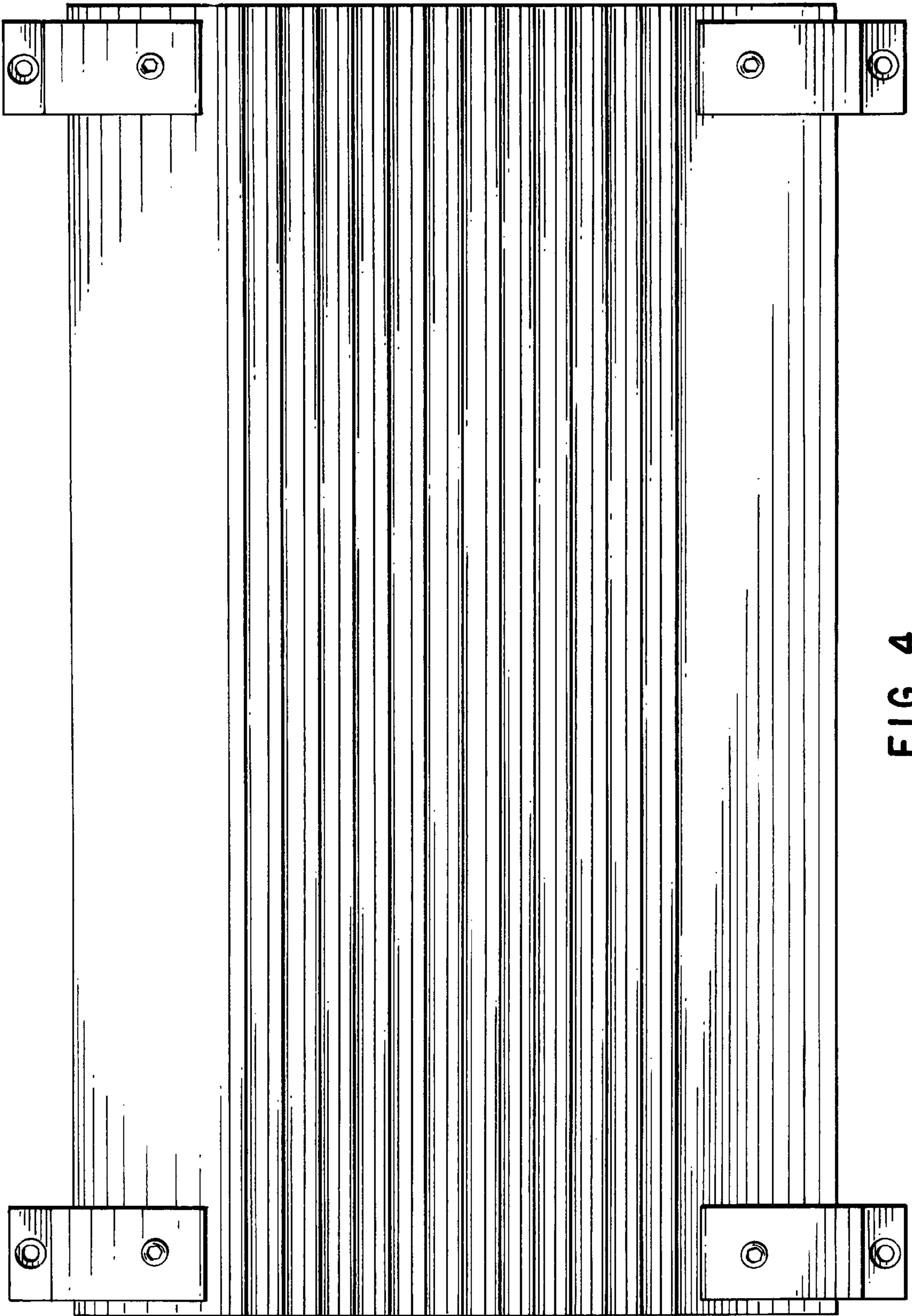


FIG. 4

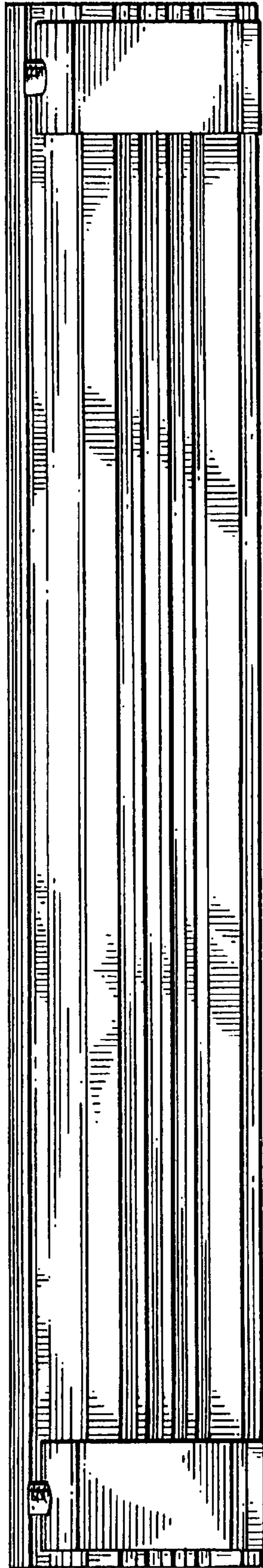


FIG. 5

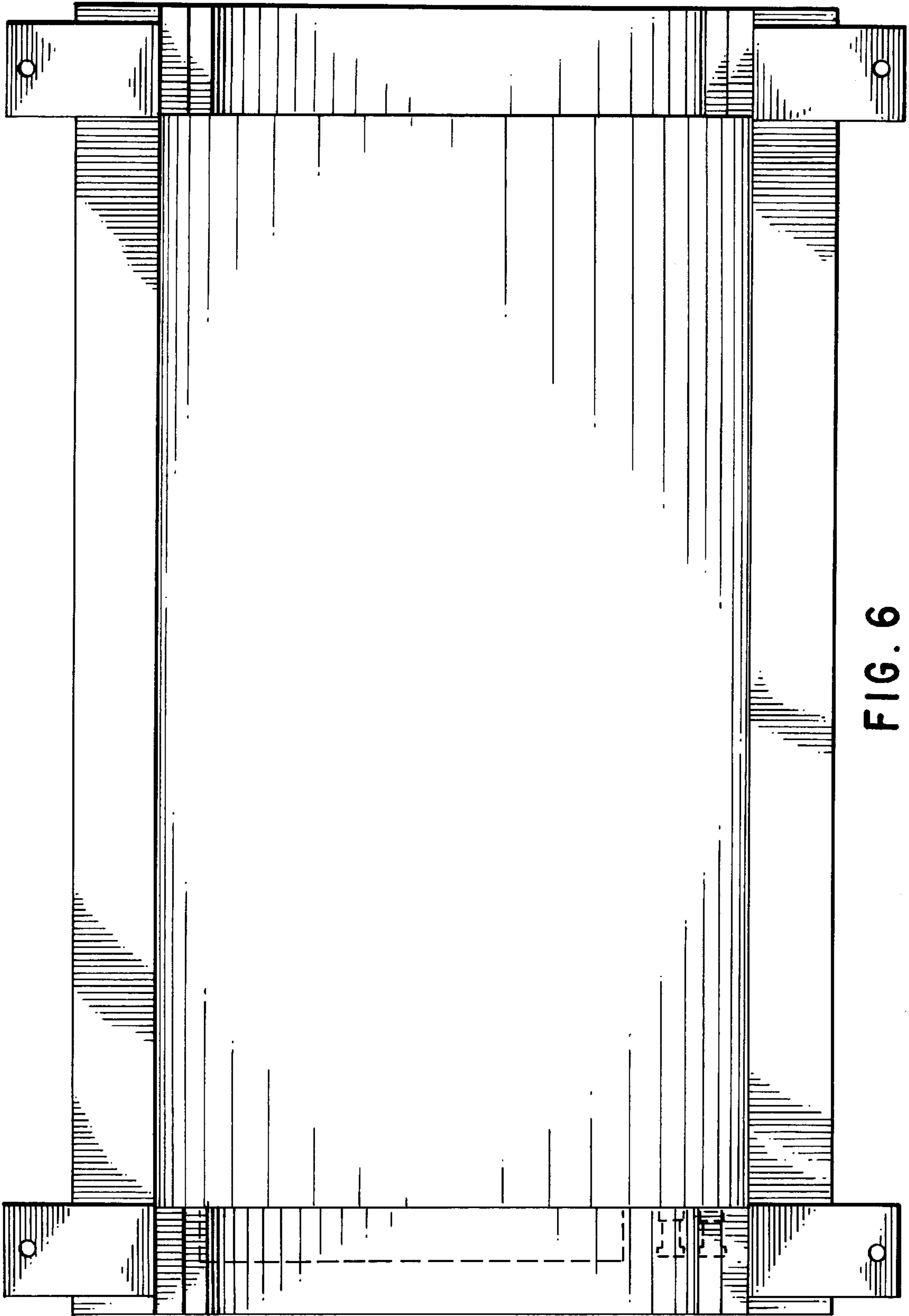


FIG. 6