



US00D415148S

United States Patent [19]

Ma et al.

[11] Patent Number: **Des. 415,148**

[45] Date of Patent: **** Oct. 12, 1999**

[54] **DISPLAY OF VIDEO PHONE**

[75] Inventors: **Chih-Peng Ma; Yu-Hsin Chuo**, both of Taipei, Taiwan

[73] Assignee: **Compal Electronics Inc.**, Taipei, Taiwan

[**] Term: **14 Years**

[21] Appl. No.: **29/099,817**

[22] Filed: **Jan. 27, 1999**

[51] **LOC (6) Cl.** **14-03**

[52] **U.S. Cl.** **D14/130; D14/129**

[58] **Field of Search** D14/137, 138, D14/146, 148, 147, 149-151, 140-142, 240, 241, 129, 130, 101, 113; 379/433-436, 419, 420, 428, 440, 93.17, 916; 348/14, 17, 19

[56] **References Cited**

U.S. PATENT DOCUMENTS

D. 237,801 11/1975 Genaro et al. D14/130

D. 313,231 12/1990 Taniuchi et al. D14/130
D. 341,586 11/1993 Alvarez-Ryan et al. D14/130
D. 381,651 7/1997 Banik et al. D14/129
D. 400,200 10/1998 Yamazaki D14/130
4,881,253 11/1989 Takeuchi et al. 348/14 X
4,928,300 5/1990 Ogawa et al. 348/14

Primary Examiner—Jeffrey Asch
Attorney, Agent, or Firm—Bacon & Thomas

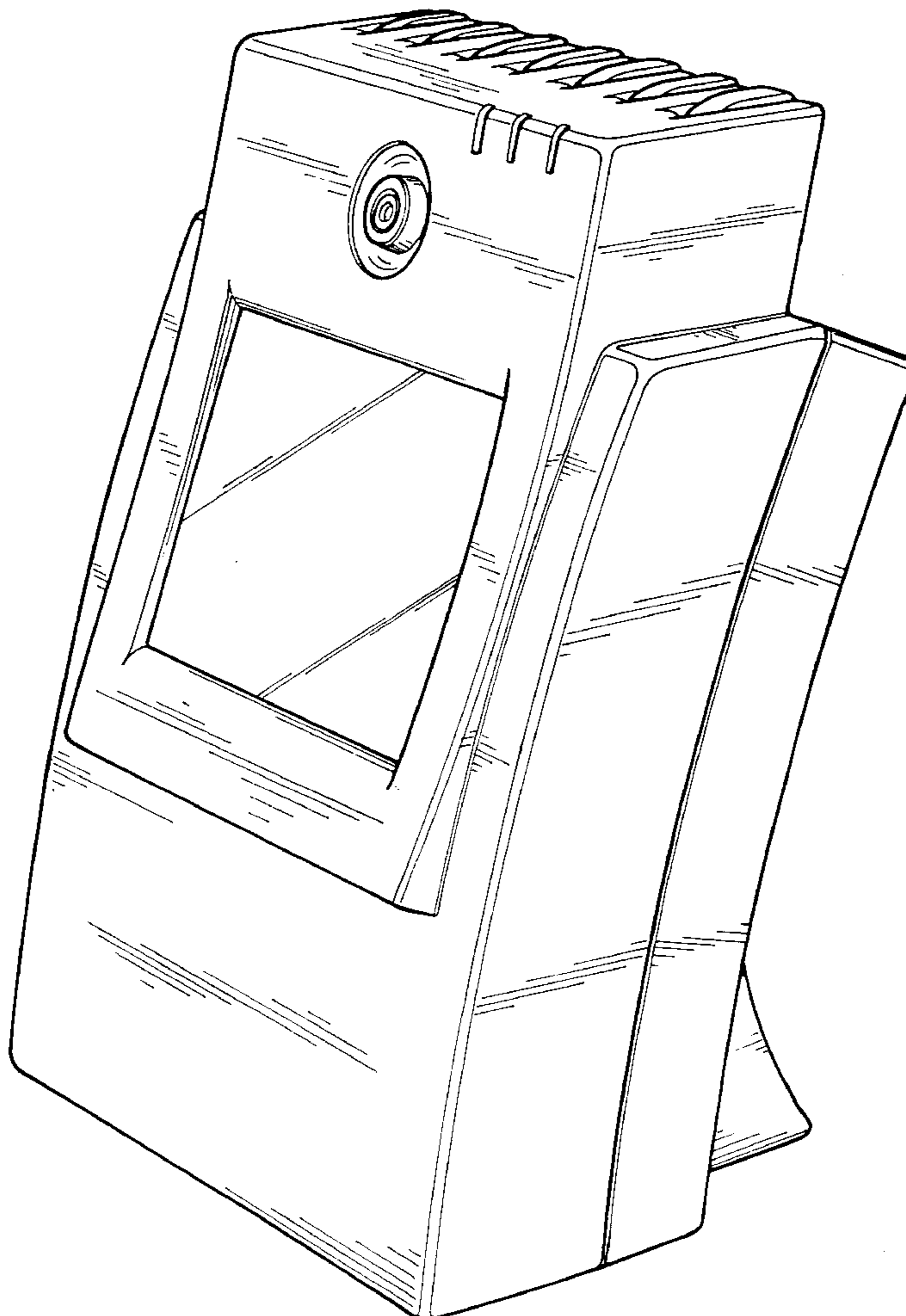
[57] **CLAIM**

The ornamental design for display of video phone, as shown and described.

DESCRIPTION

FIG. 1 is a perspective view showing our new design for display of video phone;
FIG. 2 is a front elevational view thereof;
FIG. 3 is a rear elevational view thereof;
FIG. 4 is a left side elevational view thereof;
FIG. 5 is a right side elevational view thereof;
FIG. 6 is a top view thereof; and,
FIG. 7 is a bottom view thereof.

1 Claim, 4 Drawing Sheets



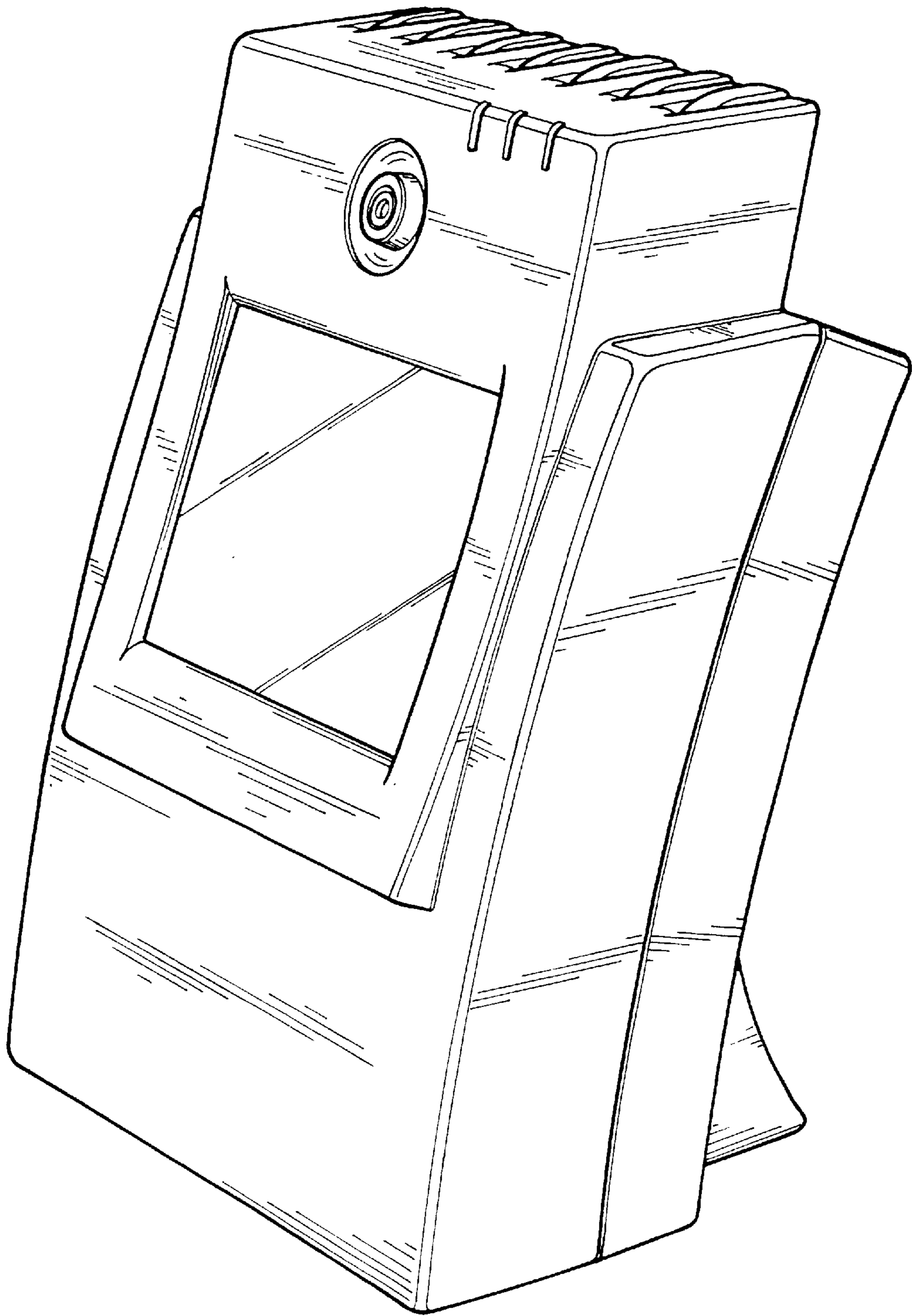


Fig.1

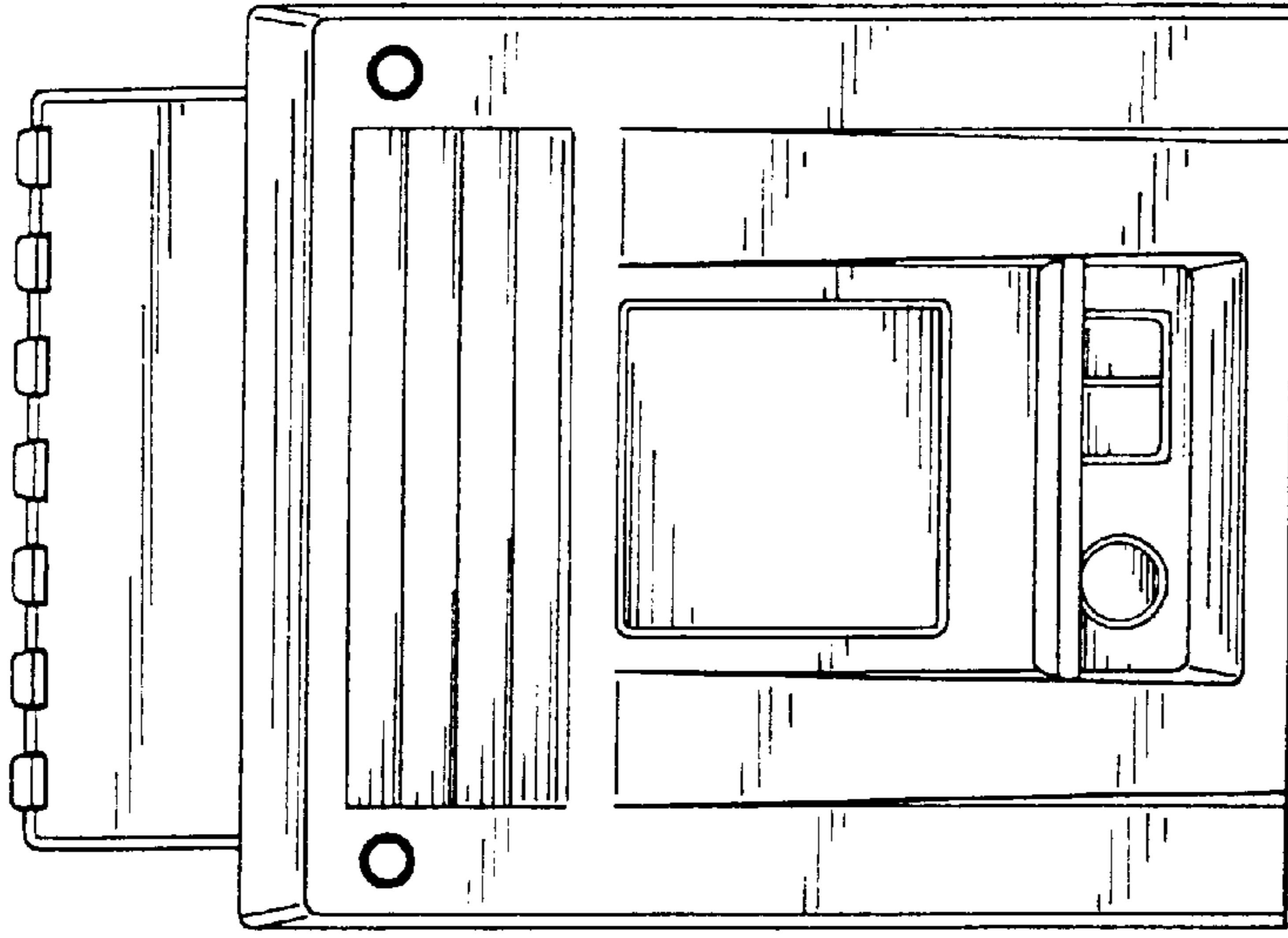


Fig.3

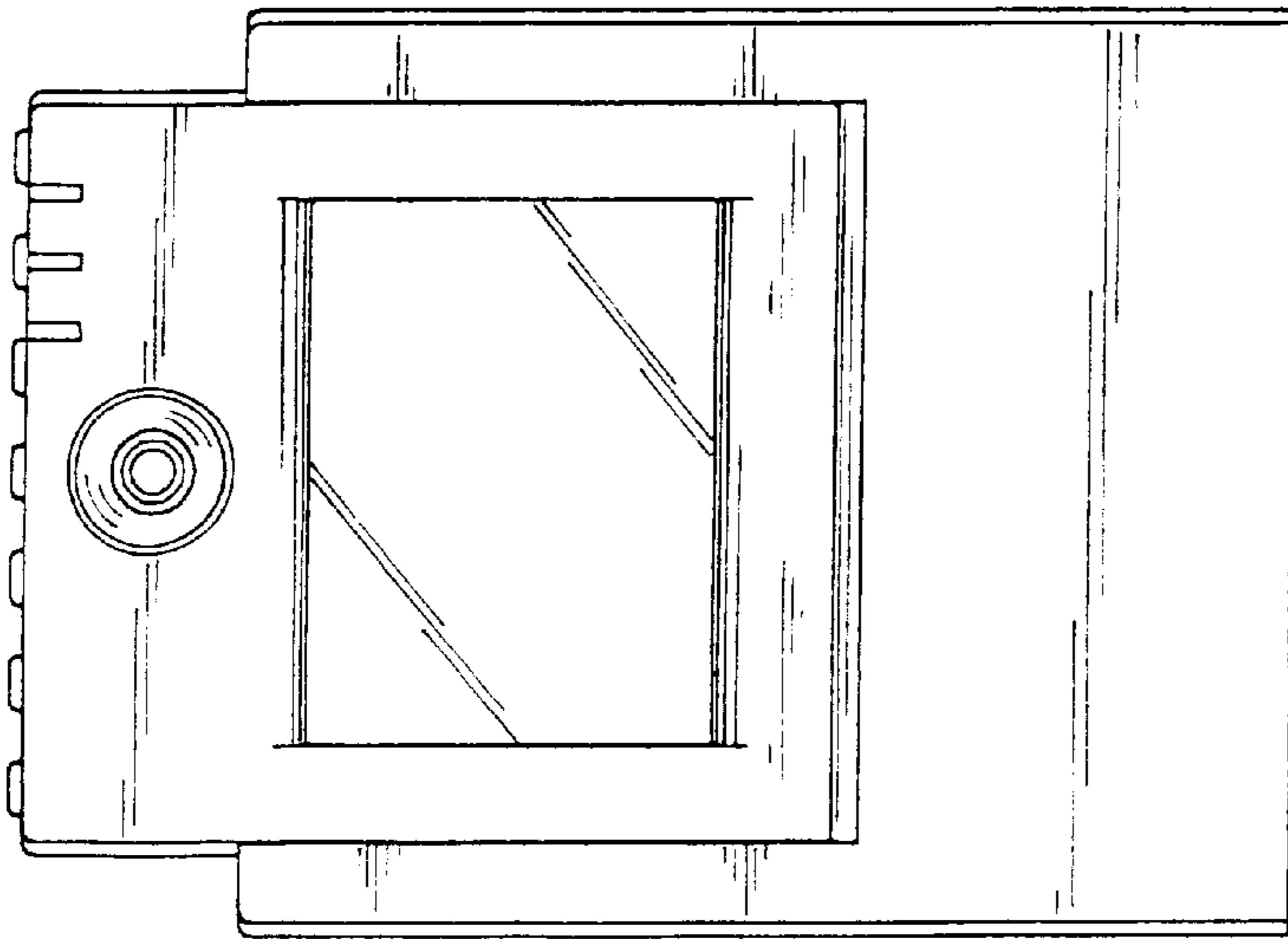


Fig.2

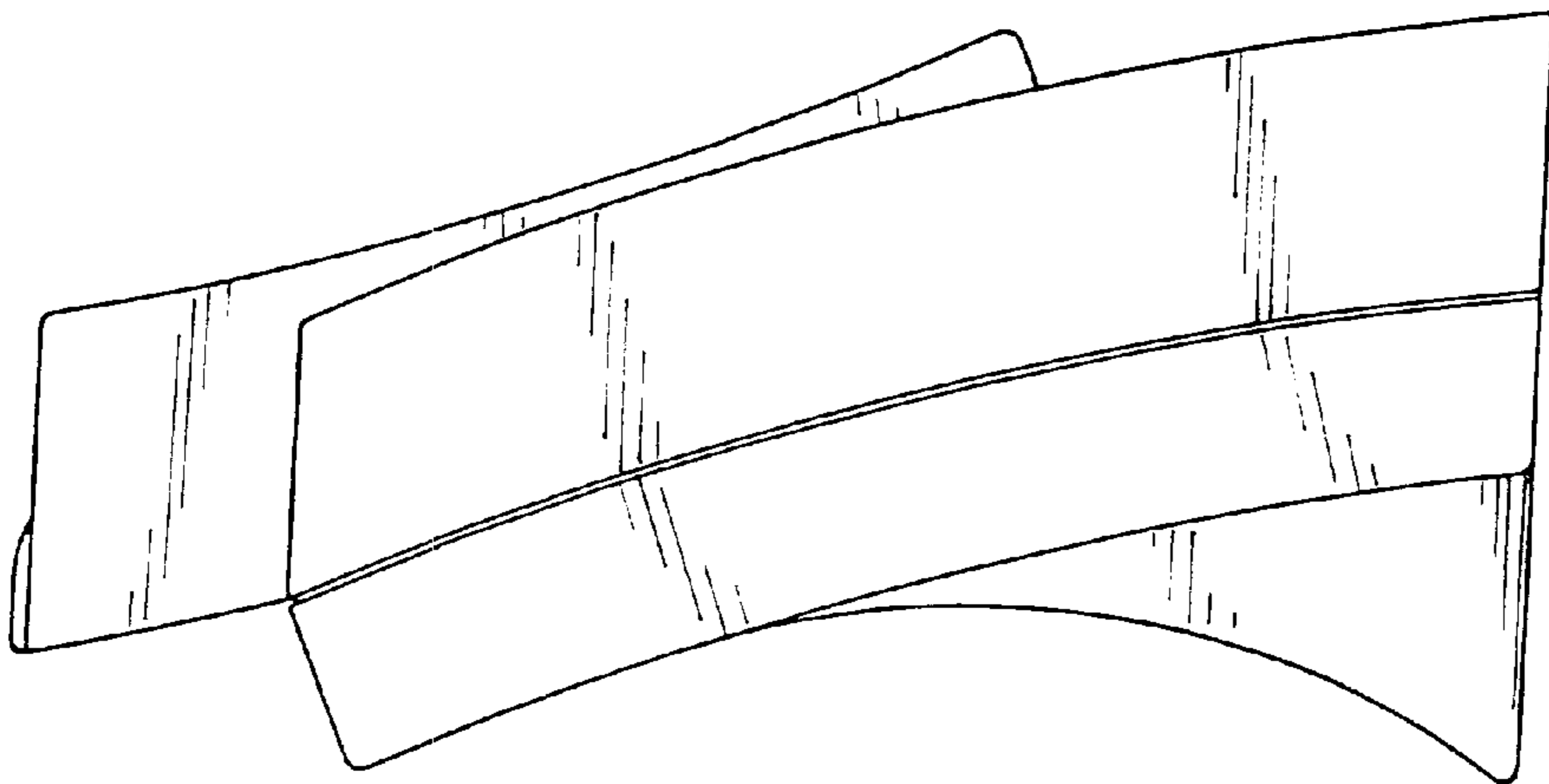


Fig. 4

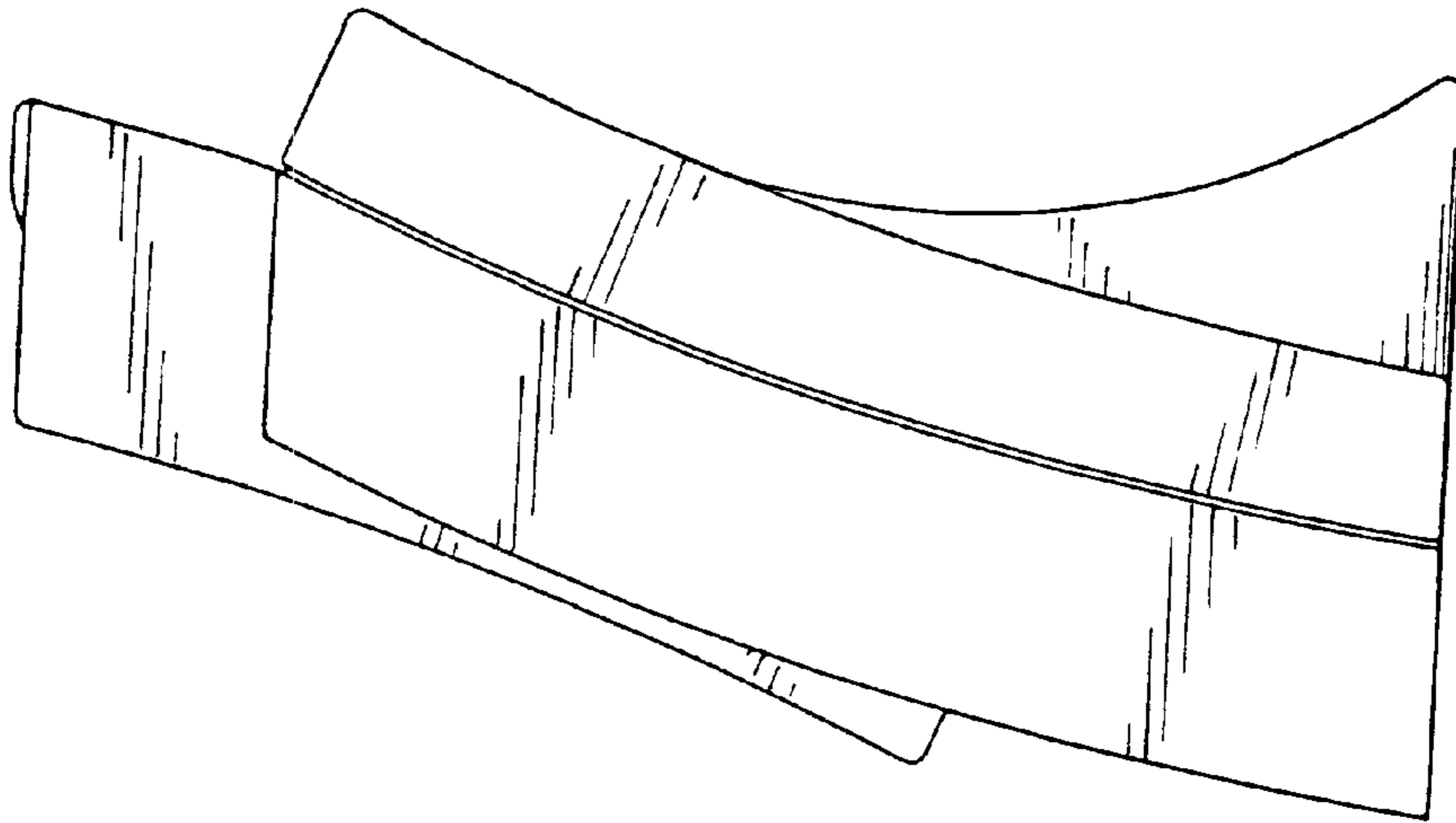


Fig. 5

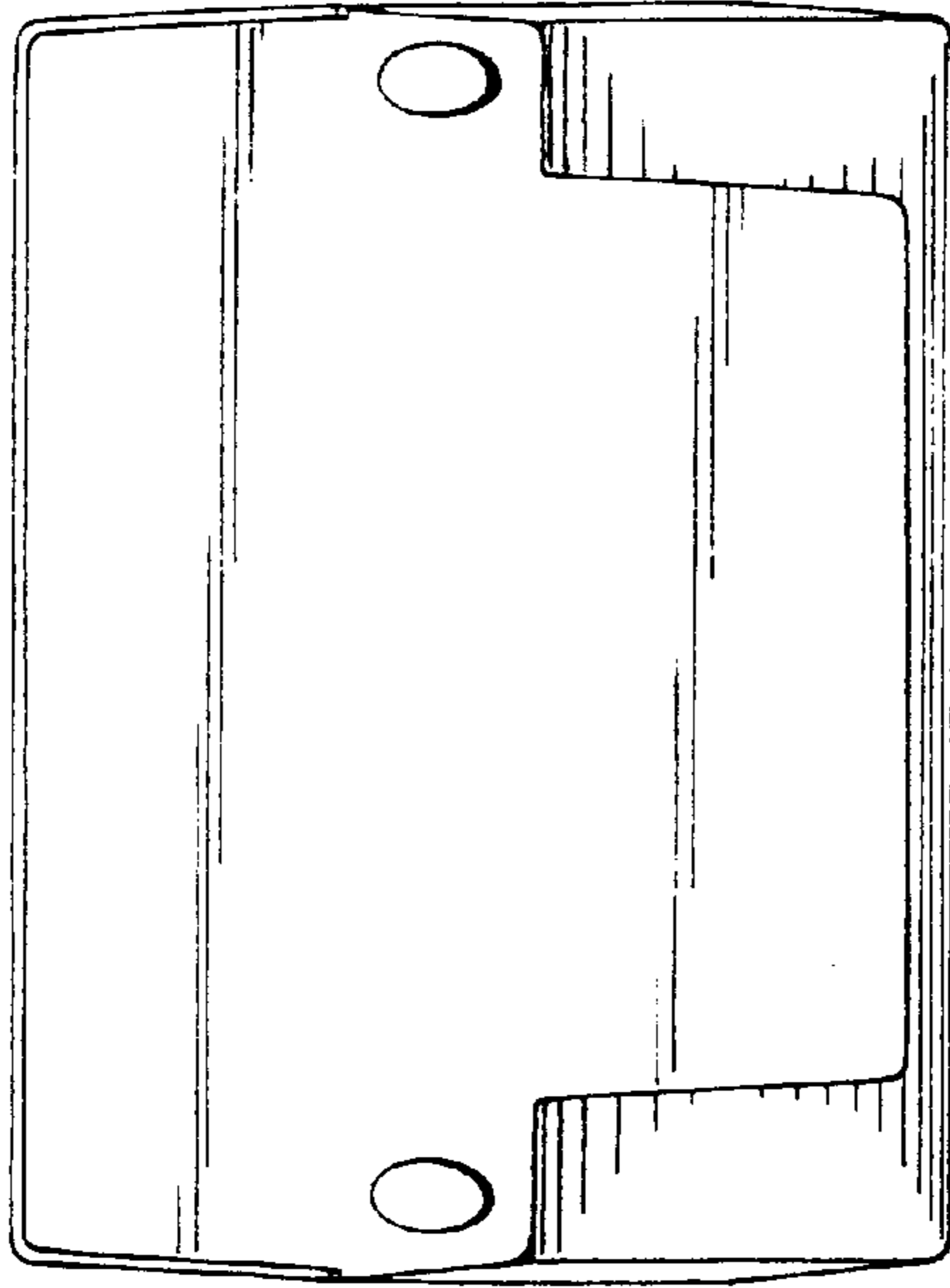


Fig. 7

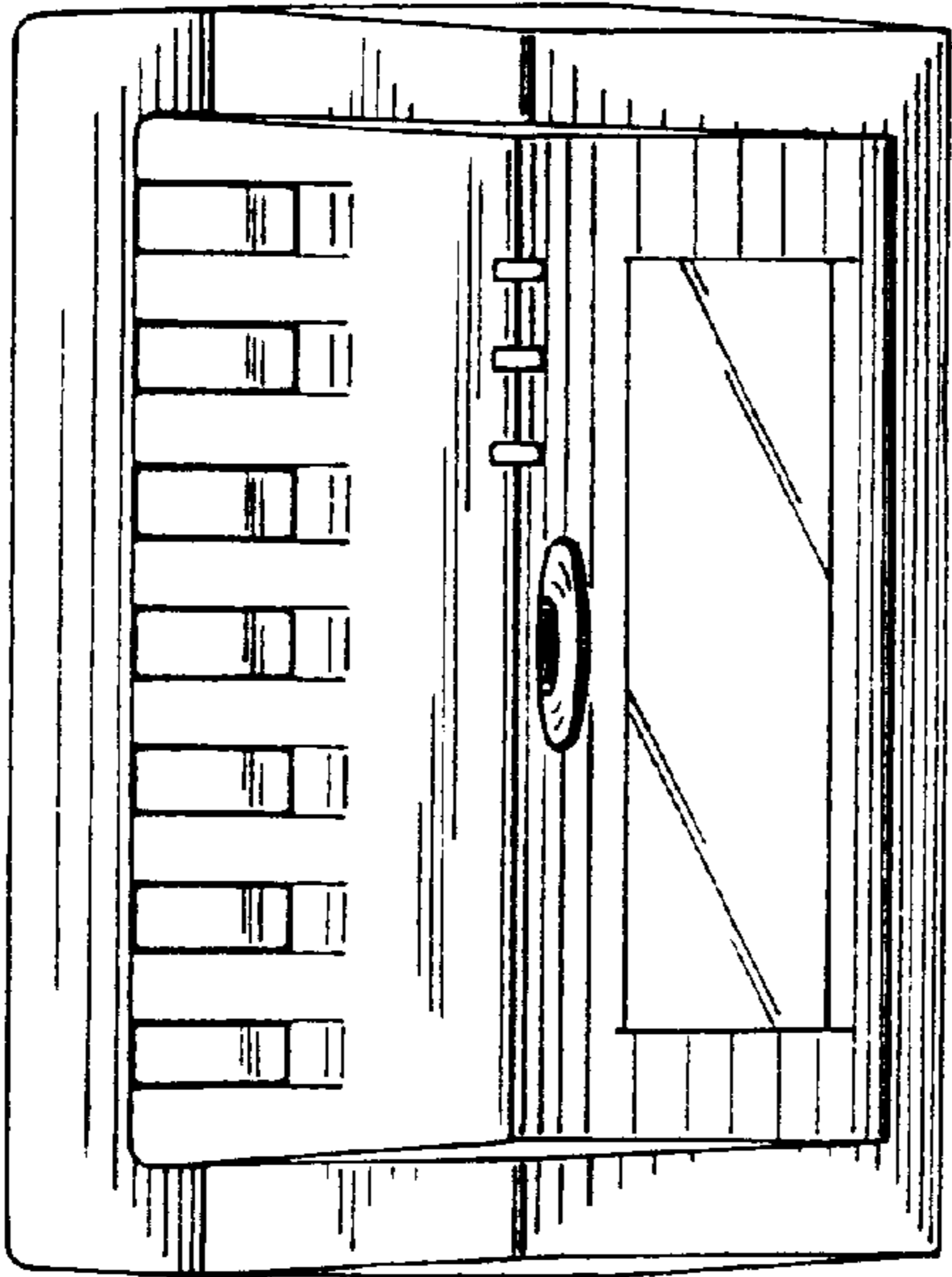


Fig. 6