



US00D415145S

# United States Patent [19] Oikawa et al.

[11] Patent Number: **Des. 415,145**

[45] Date of Patent: **\*\* Oct. 12, 1999**

[54] **CONTROLLER FOR GAME MACHINE**

[75] Inventors: **Akitoshi Oikawa; Toshinori Date**, both of Tokyo, Japan

[73] Assignee: **Sega Enterprises, Ltd.**, Tokyo, Japan

[\*\*] Term: **14 Years**

[21] Appl. No.: **29/095,941**

[22] Filed: **Nov. 2, 1998**

[30] **Foreign Application Priority Data**

Jul. 22, 1998 [JP] Japan ..... 10-21170

[51] **LOC (6) Cl.** ..... **21-01**

[52] **U.S. Cl.** ..... **D14/117.9**

[58] **Field of Search** ..... D14/117.1, 117.5-117.9, D14/114; D21/324, 328-333; 273/148 B; 463/1, 2, 29-35, 37, 38, 46, 47

[56] **References Cited**

**U.S. PATENT DOCUMENTS**

- D. 352,970 11/1994 Ho .
- D. 356,606 3/1995 Feng .
- D. 356,607 3/1995 Feng .
- D. 363,320 10/1995 Barthelemy et al. .
- D. 363,321 10/1995 Hsien .
- D. 368,721 4/1996 Howell et al. .
- D. 376,826 12/1996 Ashida .
- D. 377,057 12/1996 Lee ..... D14/117.9
- D. 377,198 1/1997 Oikawa et al. .
- D. 380,238 6/1997 Tyler .
- D. 380,783 7/1997 Tyler .
- D. 382,916 8/1997 Oikawa .
- D. 384,112 9/1997 Riley et al. .

- D. 387,392 12/1997 Lien .
- D. 389,529 1/1998 Hayami .
- D. 391,998 3/1998 Jwo ..... D14/117.9
- D. 394,092 5/1998 Kato .
- D. 394,885 6/1998 Chan .
- D. 399,886 10/1998 Brase et al. .... D21/329
- D. 402,976 12/1998 Heung ..... D14/117.1
- 5,501,458 3/1996 Mallory ..... 273/148 B
- 5,759,100 6/1998 Nakanishi ..... 463/44 X
- 5,820,462 10/1998 Yokoi et al. .... 463/37

**OTHER PUBLICATIONS**

Thrustmaster Game Pad, Advt, Sep. 1996.  
Game Players, p. 36, Jan. 1996.

*Primary Examiner*—Prabhakar Deshmukh  
*Attorney, Agent, or Firm*—Dickstein Shapiro Morin & Oshinsky LLP

[57] **CLAIM**

The ornamental design for the controller for game machine, as shown and described.

**DESCRIPTION**

FIG. 1 is a front, top and right side perspective view of a controller for game machine showing our new design; FIG. 2 is a bottom, rear and left side perspective view thereof; FIG. 3 is a front elevational view thereof; FIG. 4 is a rear elevational view thereof; FIG. 5 is a top plan view thereof; FIG. 6 is a bottom plan view thereof; FIG. 7 is a right side elevational view thereof; and, FIG. 8 is a left side elevational view thereof.

**1 Claim, 7 Drawing Sheets**

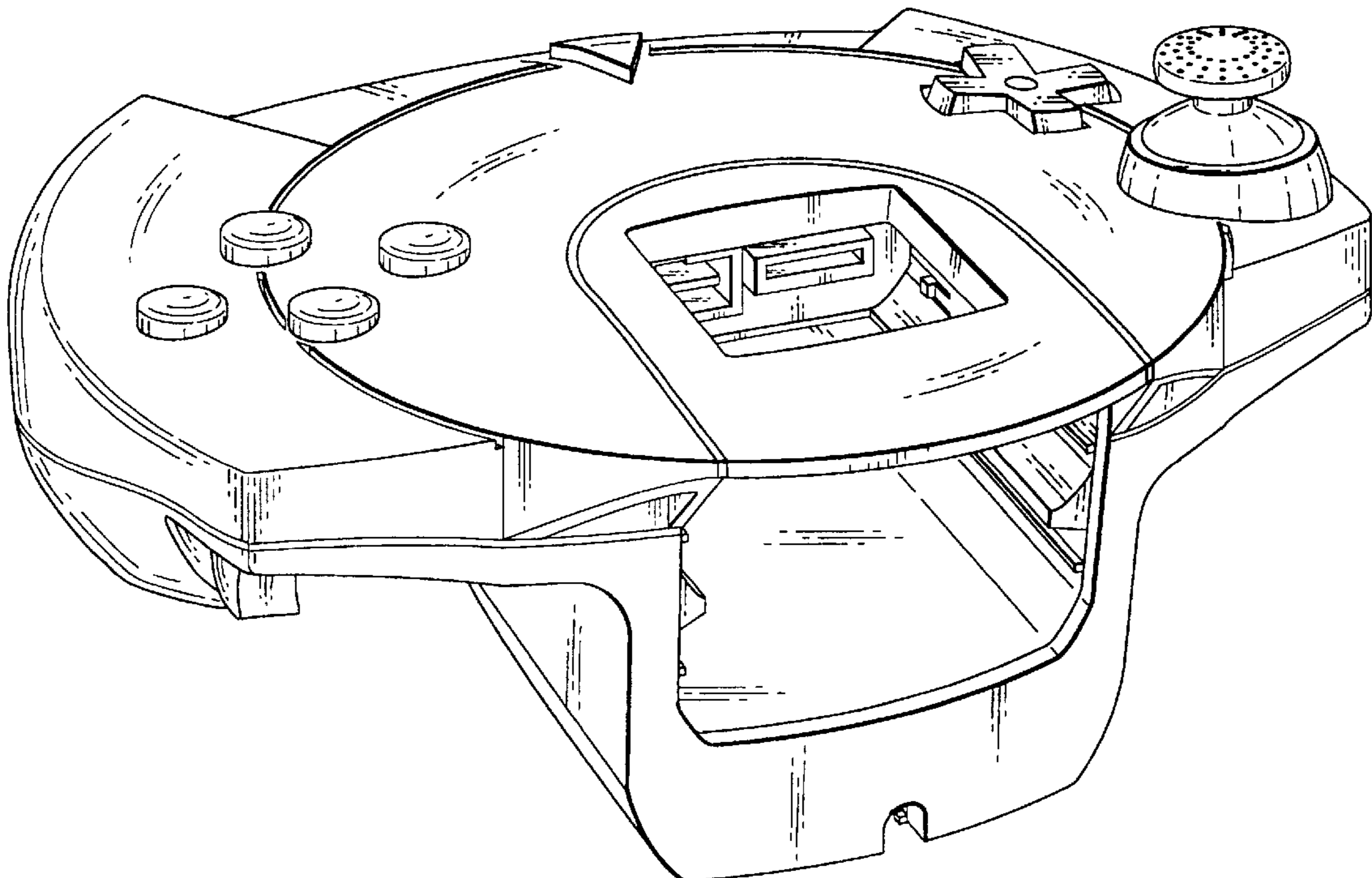


FIG. 1

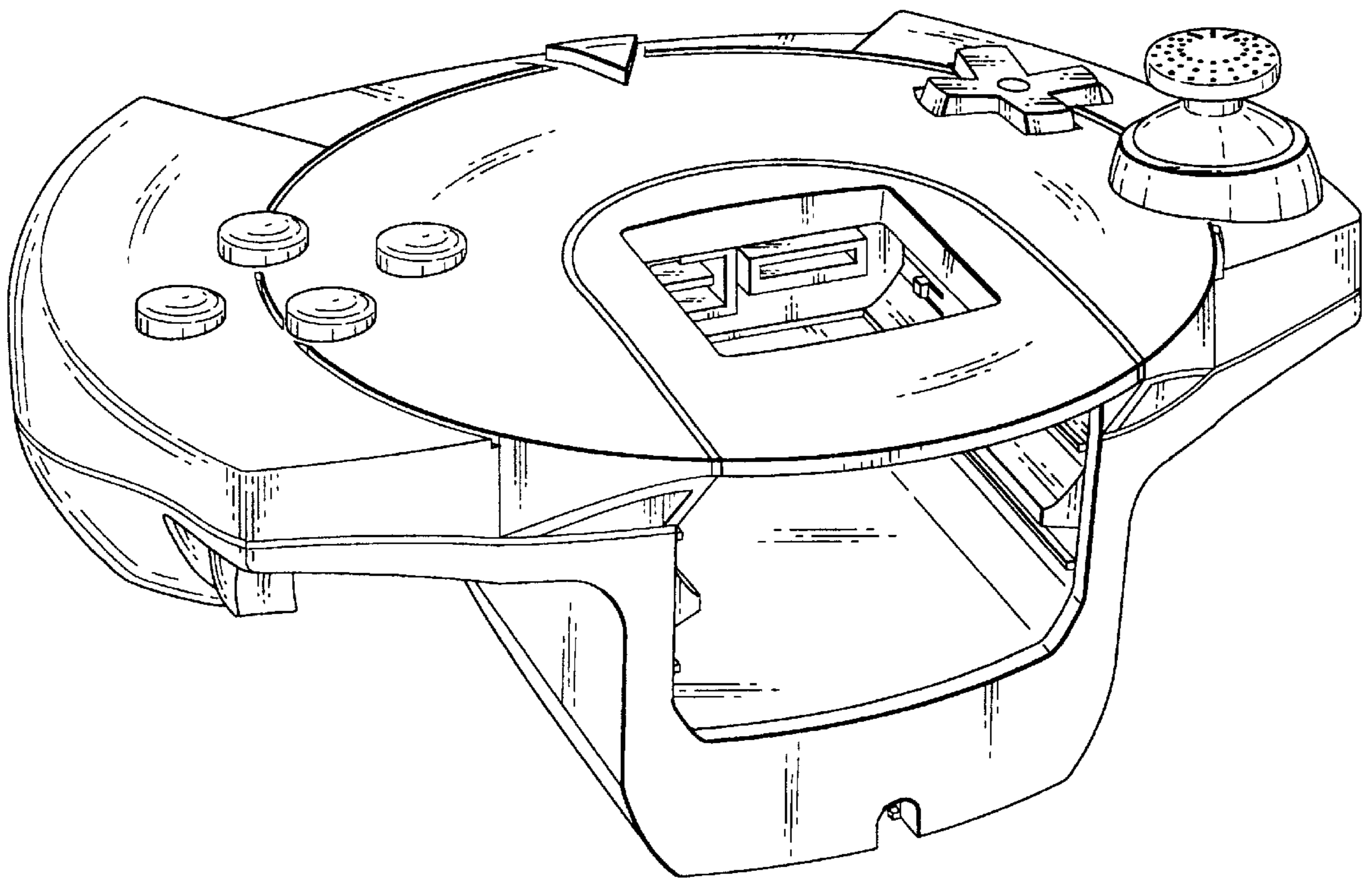


FIG. 2

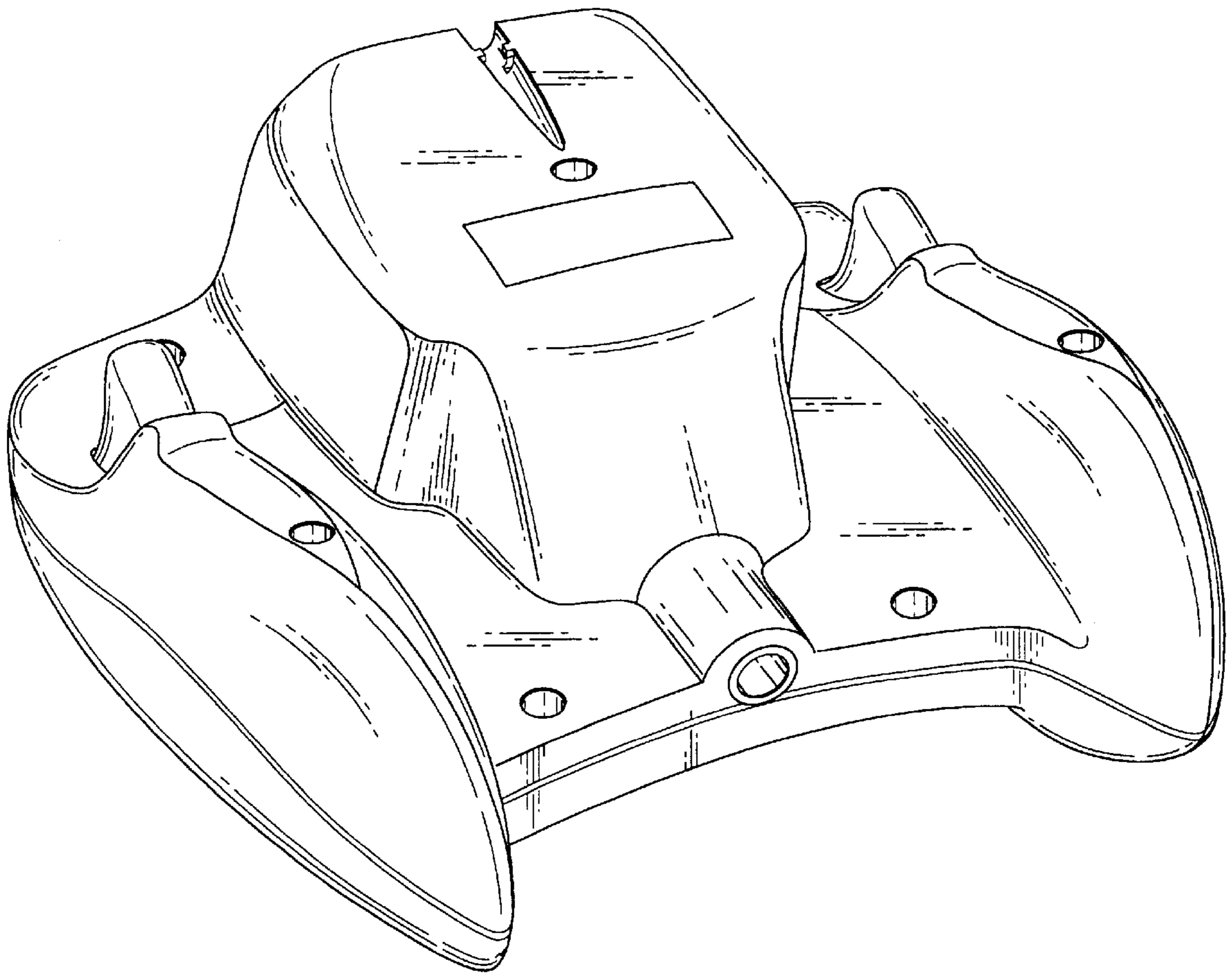


FIG. 3

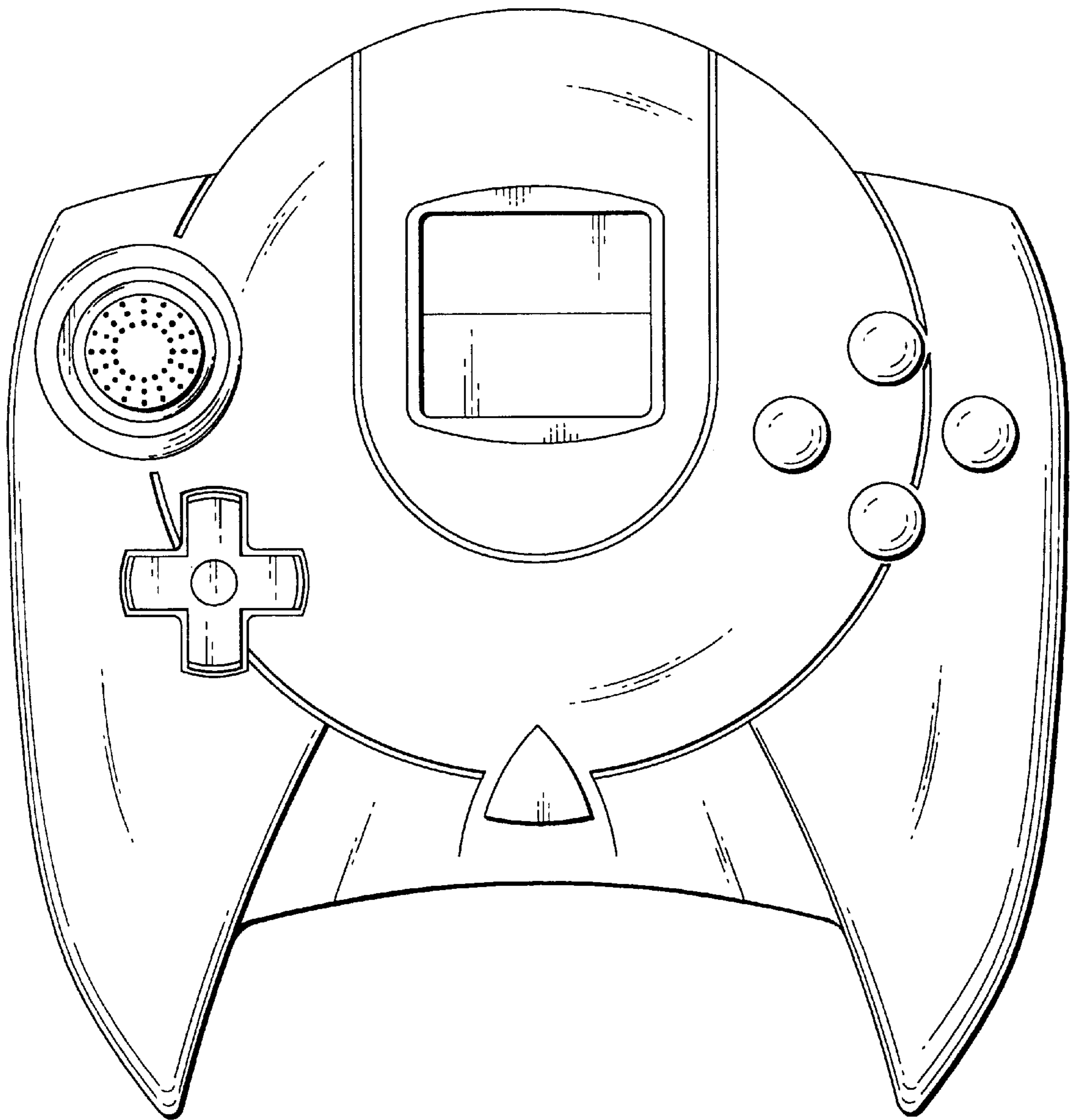


FIG. 4

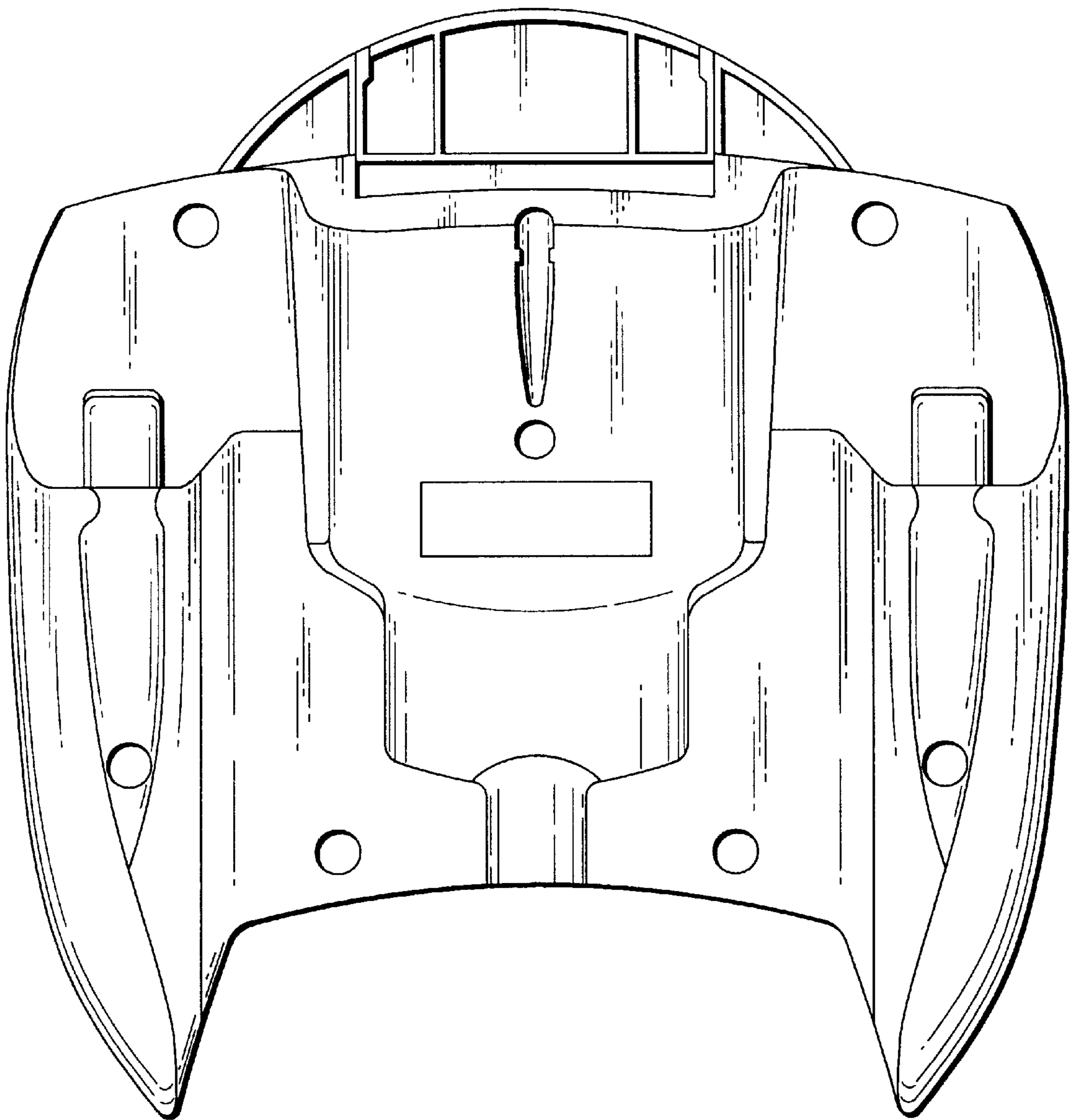


FIG. 5

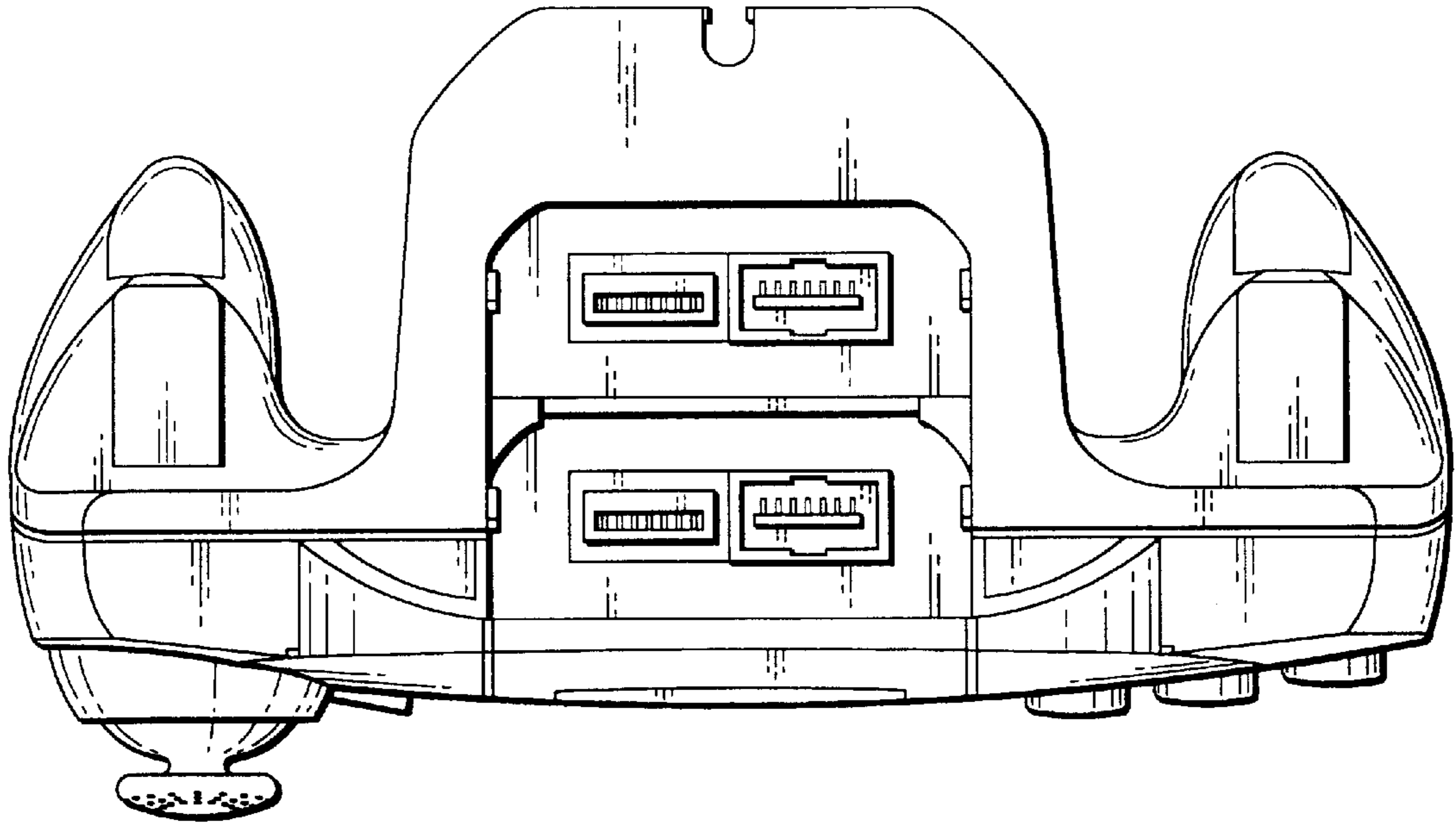


FIG. 6

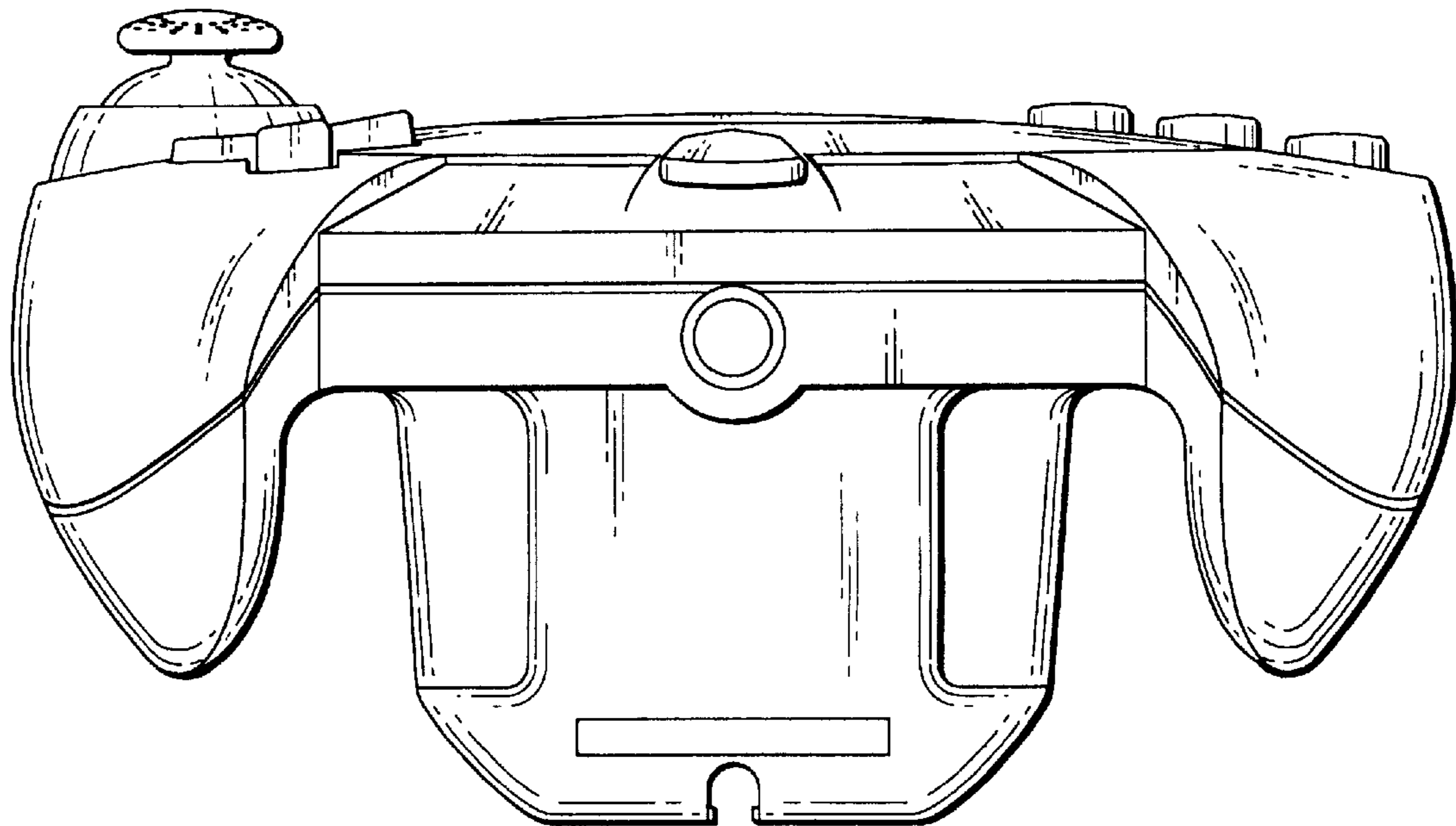


FIG. 7

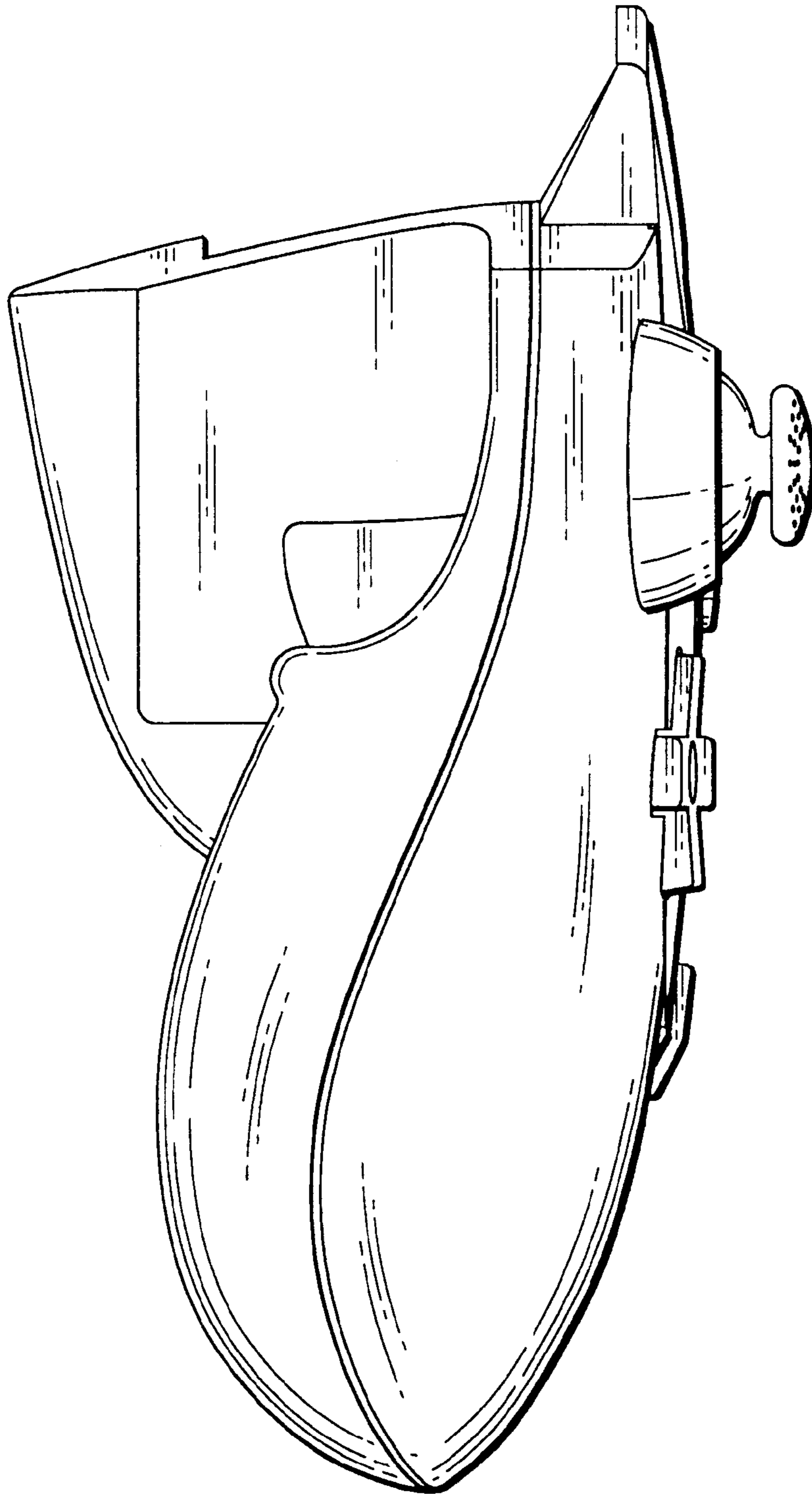


FIG. 8

