



US00D415140S

**United States Patent** [19]  
**Waler**

[11] **Patent Number: Des. 415,140**

[45] **Date of Patent: \*\* \*Oct. 12, 1999**

[54] **BEZEL FOR MEDIA DRIVE**

D. 371,776 7/1996 Yang ..... D14/115

[75] Inventor: **Luke Waler**, Loveland, Colo.

**OTHER PUBLICATIONS**

[73] Assignee: **Hewlett-Packard Company**, Palo Alto, Calif.

U.S. Patent Application for Bezel for Media Drive (as amended) of Luke Waler; Serial No. 29/085469 filed Mar. 24, 1998; HP Dkt No. 10980256-1/HP-320.

[\*] Notice: This patent is subject to a terminal disclaimer.

*Primary Examiner*—Freda Nunn

[\*\*] Term: **14 Years**

[57] **CLAIM**

[21] Appl. No.: **29/085,467**

The ornamental design for a bezel for media drive, as shown and described.

[22] Filed: **Mar. 24, 1998**

**DESCRIPTION**

[51] **LOC (6) Cl.** ..... **14-02**

[52] **U.S. Cl.** ..... **D14/115**

[58] **Field of Search** ..... D14/100, 102, D14/107-109, 115, 257, 258, 137, 156, 217; D10/103; D13/162, 164, 177, 184, 199; 312/223.2; 361/600, 622, 724-728

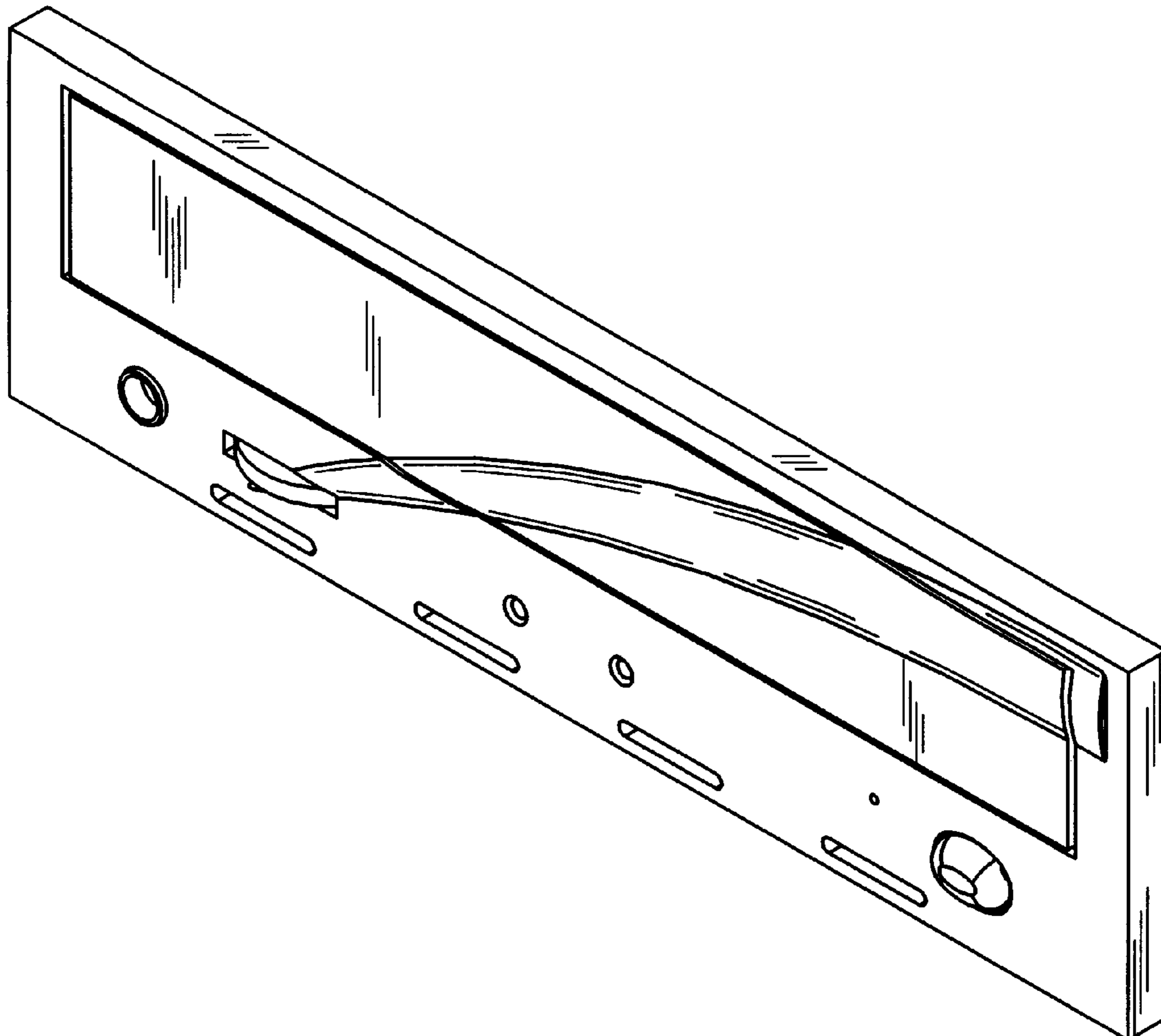
FIG. 1 is a perspective view of a bezel for media drive showing my new design;  
FIG. 2 is a front elevation view thereof;  
FIG. 3 is a top plan view thereof;  
FIG. 4 is a bottom plan view thereof;  
FIG. 5 is a left side elevation view thereof; and,  
FIG. 6 is a right side elevation view thereof.

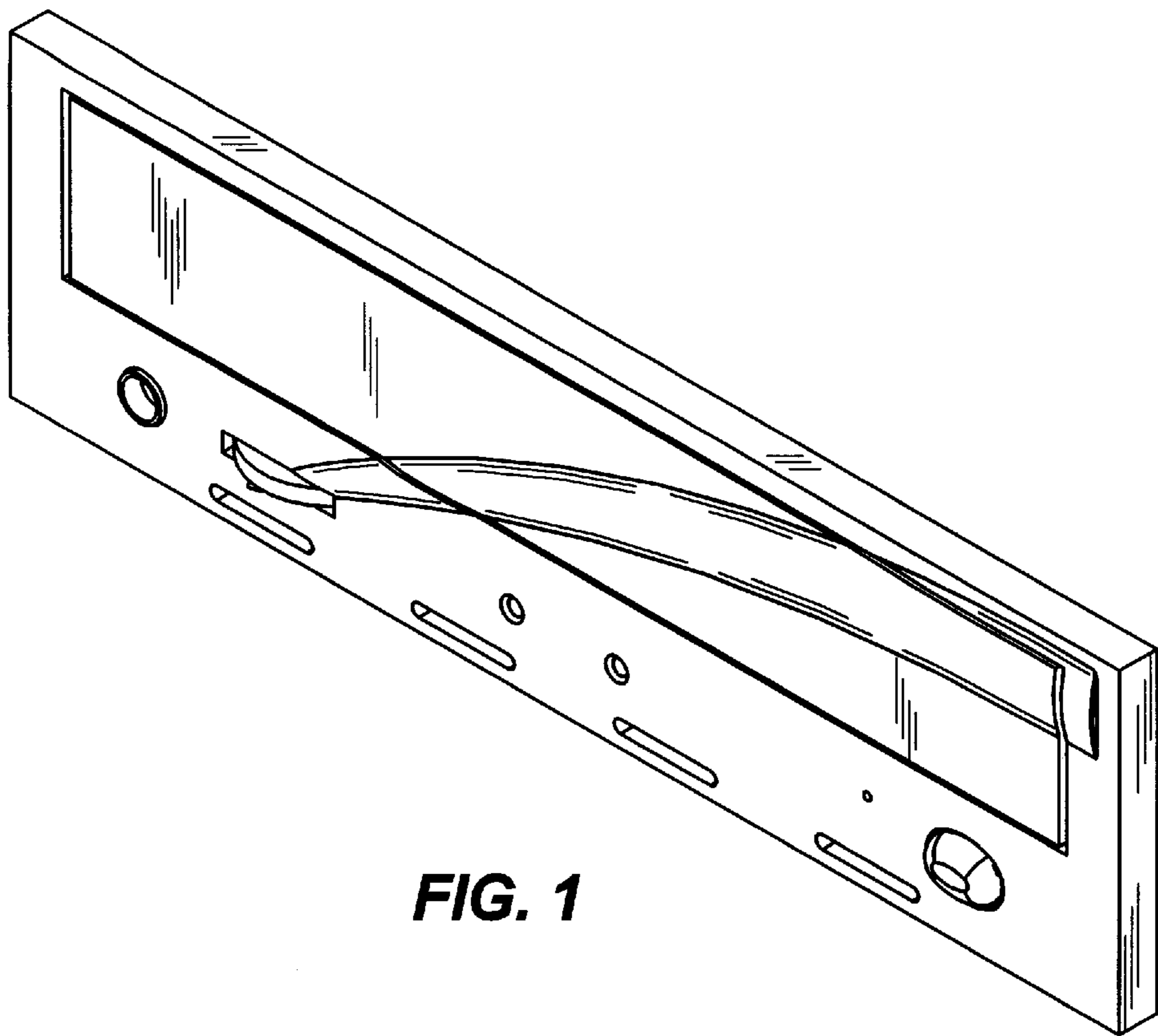
[56] **References Cited**

**U.S. PATENT DOCUMENTS**

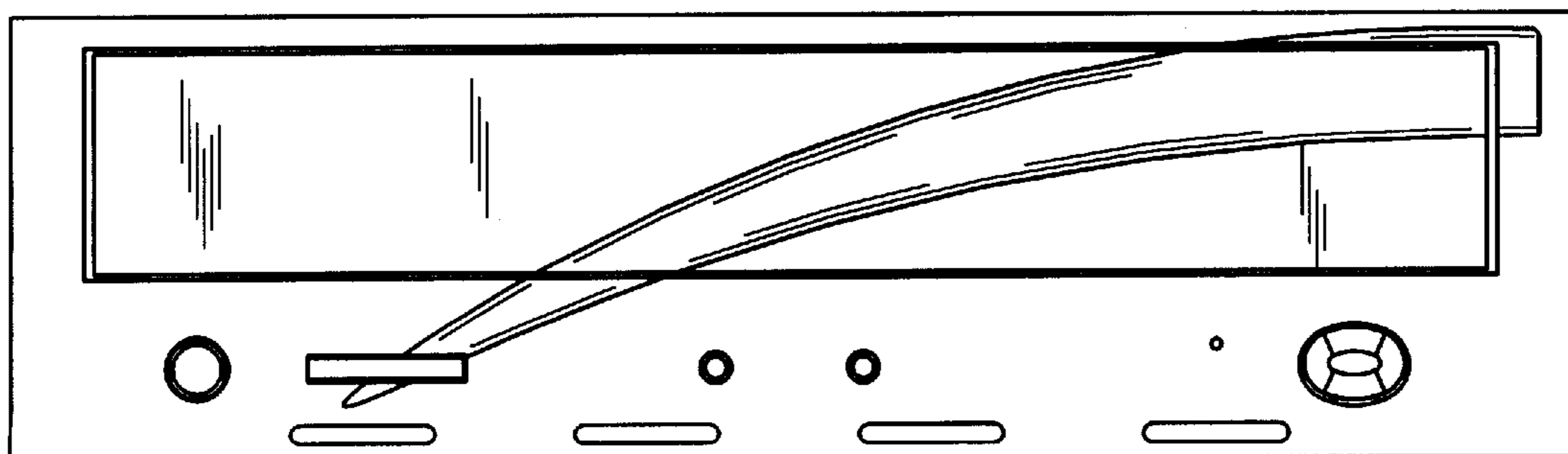
D. 359,279 6/1995 Fujimura et al. .... D14/115

**1 Claim, 2 Drawing Sheets**

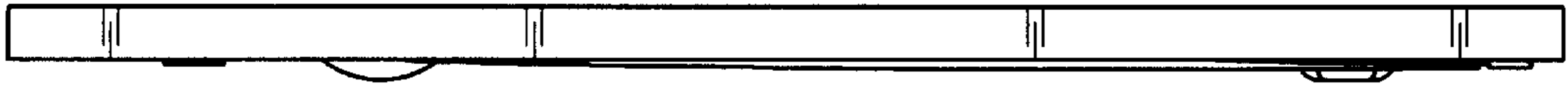




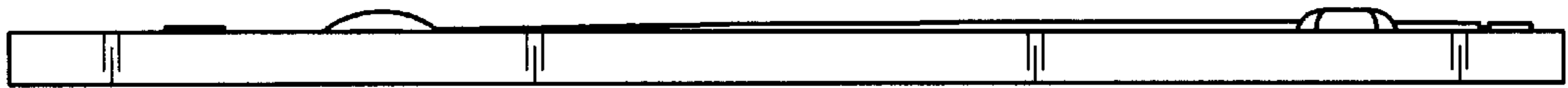
**FIG. 1**



**FIG. 2**



**FIG. 3**



**FIG. 4**



**FIG. 5**



**FIG. 6**