



US00D415139S

United States Patent [19]

[11] **Patent Number: Des. 415,139**

Fu

[45] **Date of Patent: ** Oct. 12, 1999**

[54] **COMPUTER FRONT BEZEL WITH A HANDLE**

D. 398,301 9/1998 Fu D14/115

[75] Inventor: **Richard C. Y. Fu**, Cerritos, Calif.

Primary Examiner—M. H. Tung

[73] Assignee: **Hon Hai Precision Ind. Co., Ltd.**,
Taipei Hsien, Taiwan

[57] **CLAIM**

The ornamental design for a computer front bezel with a handle, as shown and described.

[**] Term: **14 Years**

DESCRIPTION

[21] Appl. No.: **29/079,432**

FIG. 1 is a front perspective view of a computer front bezel with a handle;

[22] Filed: **Nov. 17, 1997**

FIG. 2 is a right side elevational view thereof;

[51] **LOC (6) Cl.** **14-02**

FIG. 3 is a left side elevational view thereof;

[52] **U.S. Cl.** **D14/115**

FIG. 4 is a bottom plan view thereof;

[58] **Field of Search** D14/100, 107,
D14/109, 114, 115, 257; D13/162, 184,
199, 177; 361/724-28

FIG. 5 is a top plan view thereof;

FIG. 6 is a front elevational view thereof;

FIG. 7 is a rear elevational view thereof;

FIG. 8 is a front perspective view thereof, on a reduced scale; and,

[56] **References Cited**

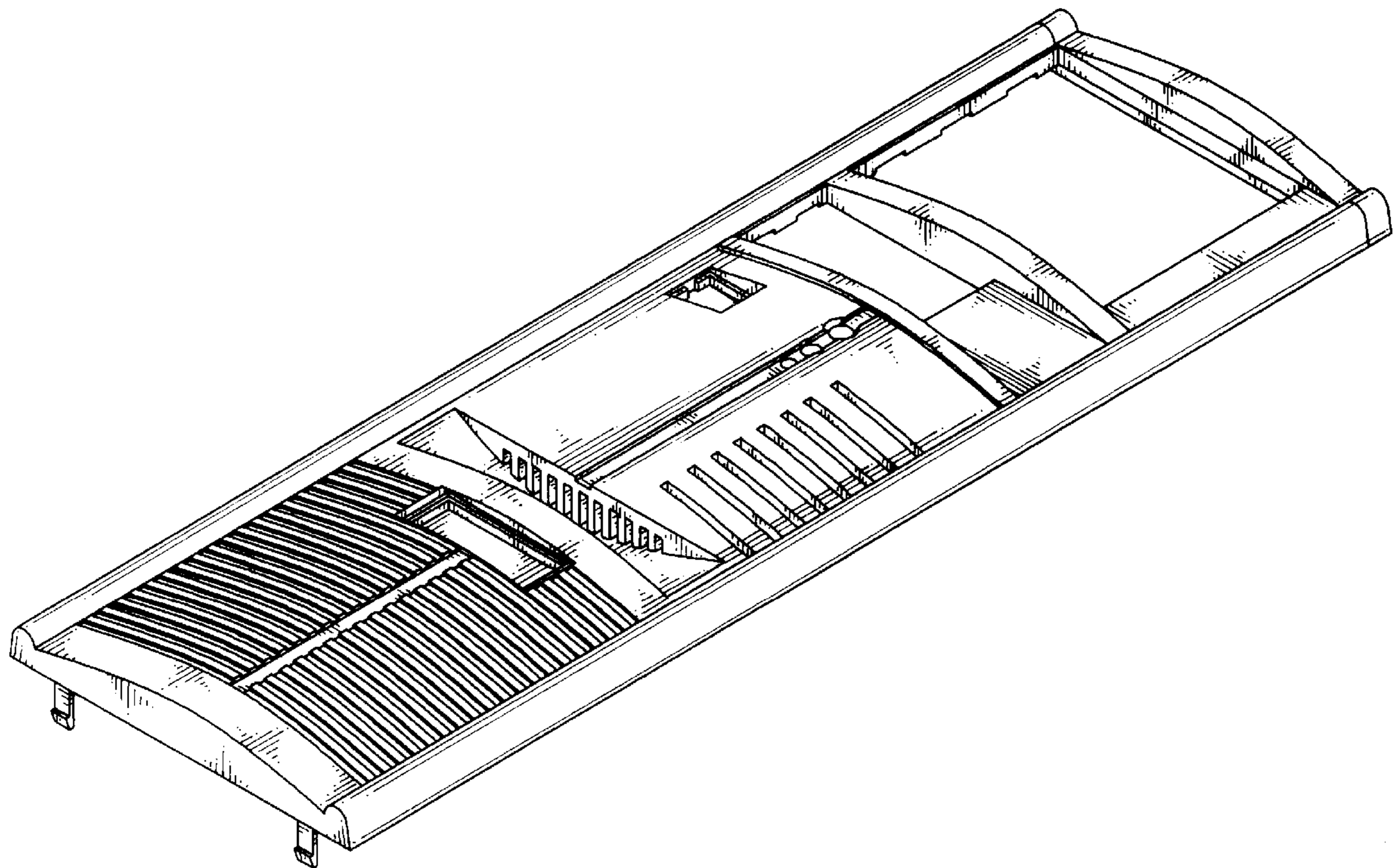
FIG. 9 is a front perspective view thereof, on a reduced scale, the handle is shown in extended position.

U.S. PATENT DOCUMENTS

The broken line drawings of a computer and the front details on the bezel in FIGS. 8 and 9 are for illustrative purposes only and form no part of the claimed design.

D. 366,464	1/1996	Martin	D14/100
D. 392,280	3/1998	Lin	D14/115
D. 396,462	7/1998	Fu	D14/115
D. 396,697	8/1998	Jasinski et al.	D14/100

1 Claim, 7 Drawing Sheets



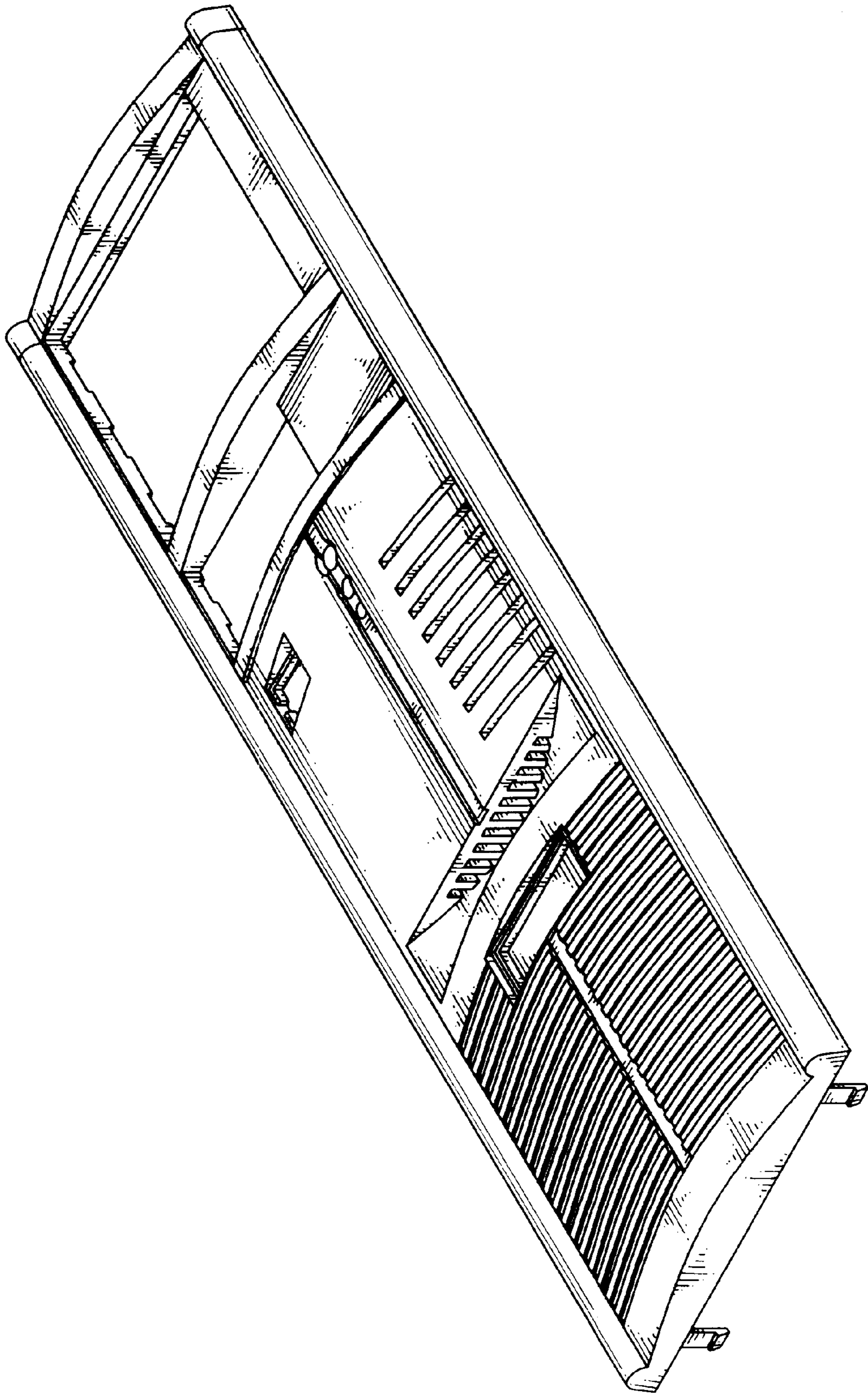


FIG. 1

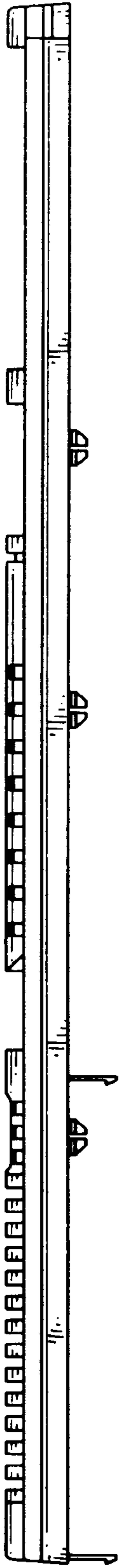


FIG. 2

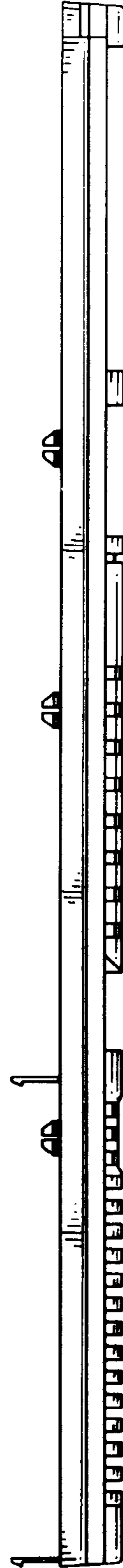


FIG. 3

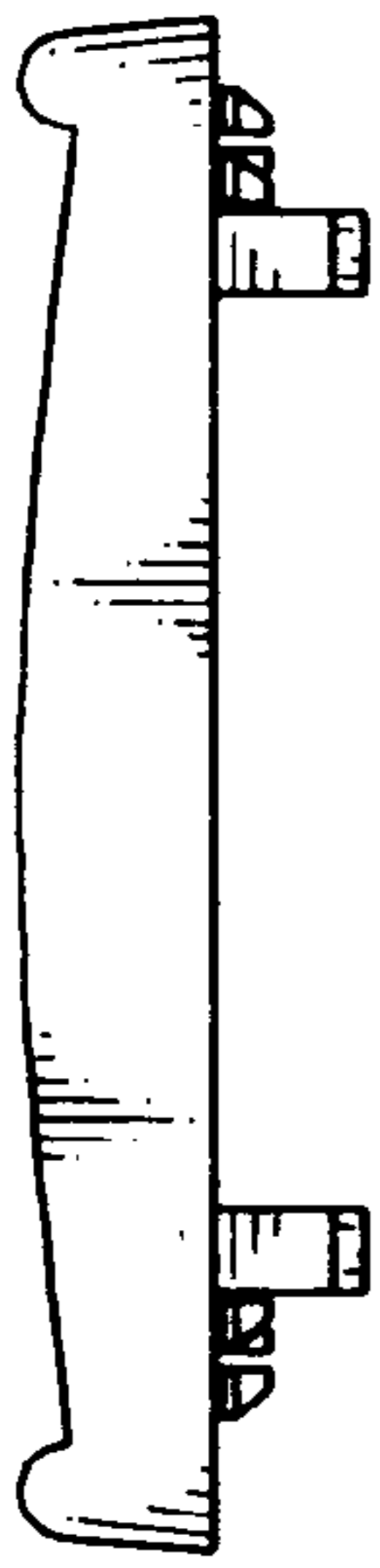


FIG. 4

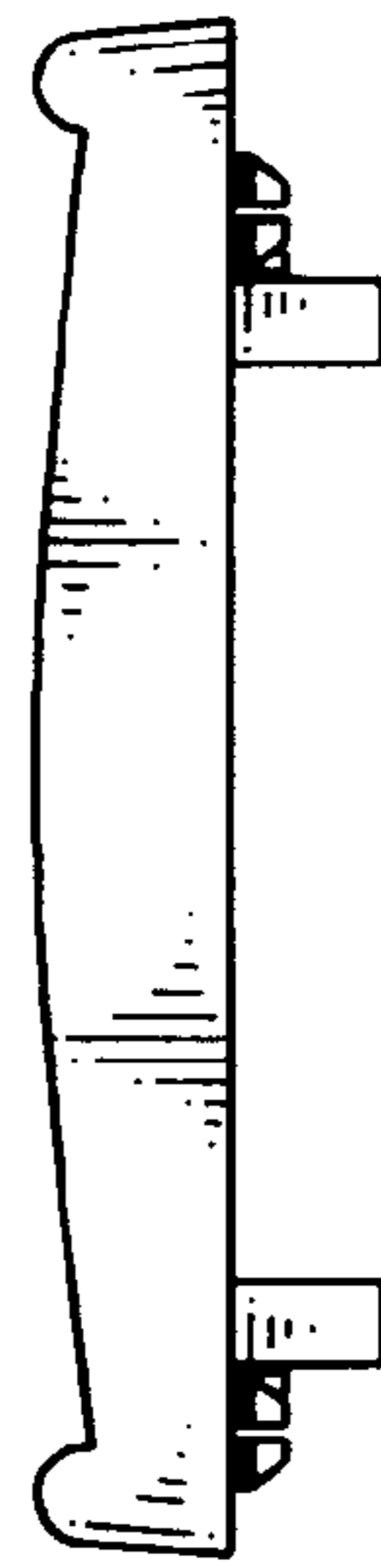


FIG. 5

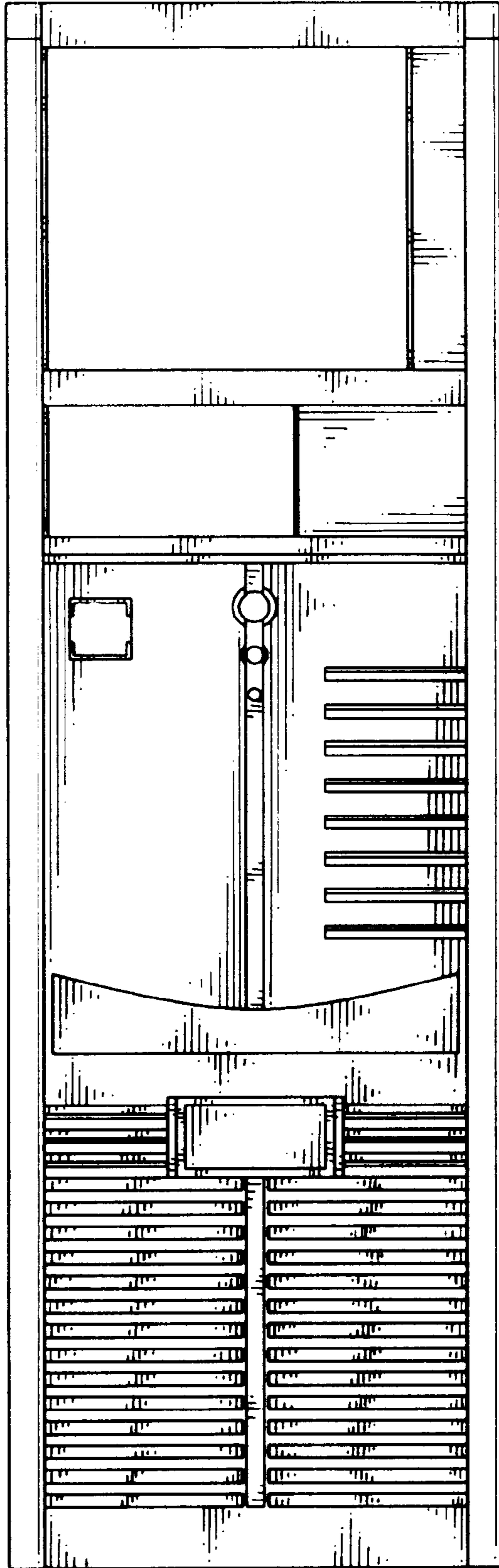


FIG. 6

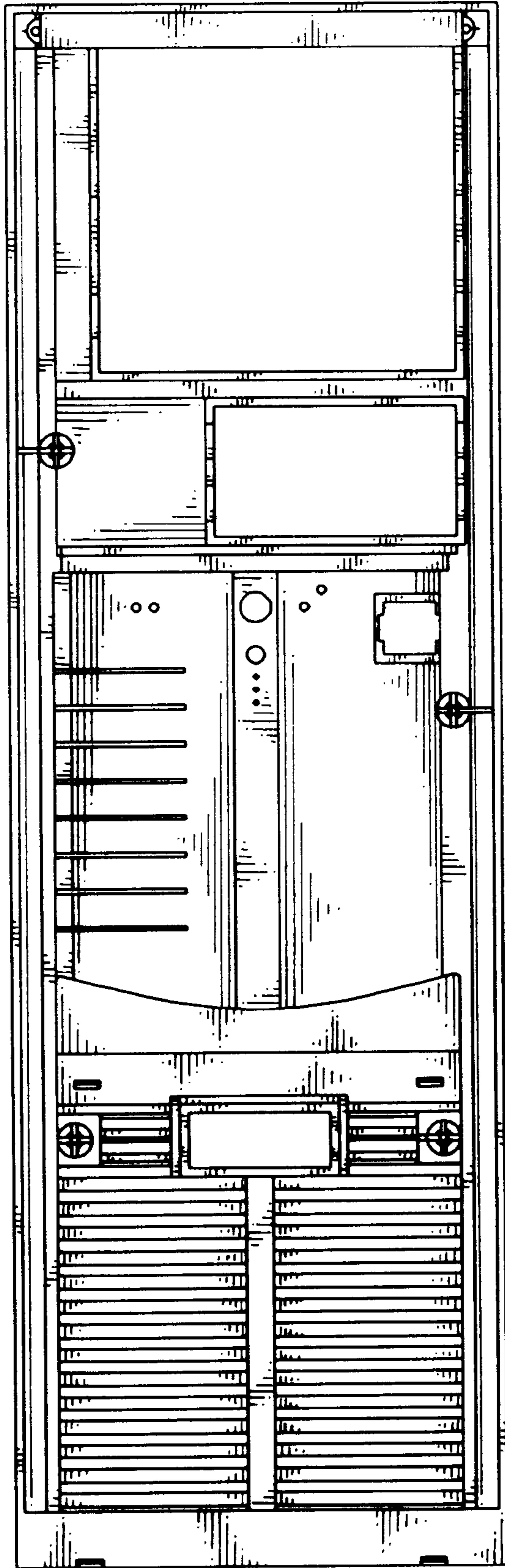


FIG. 7

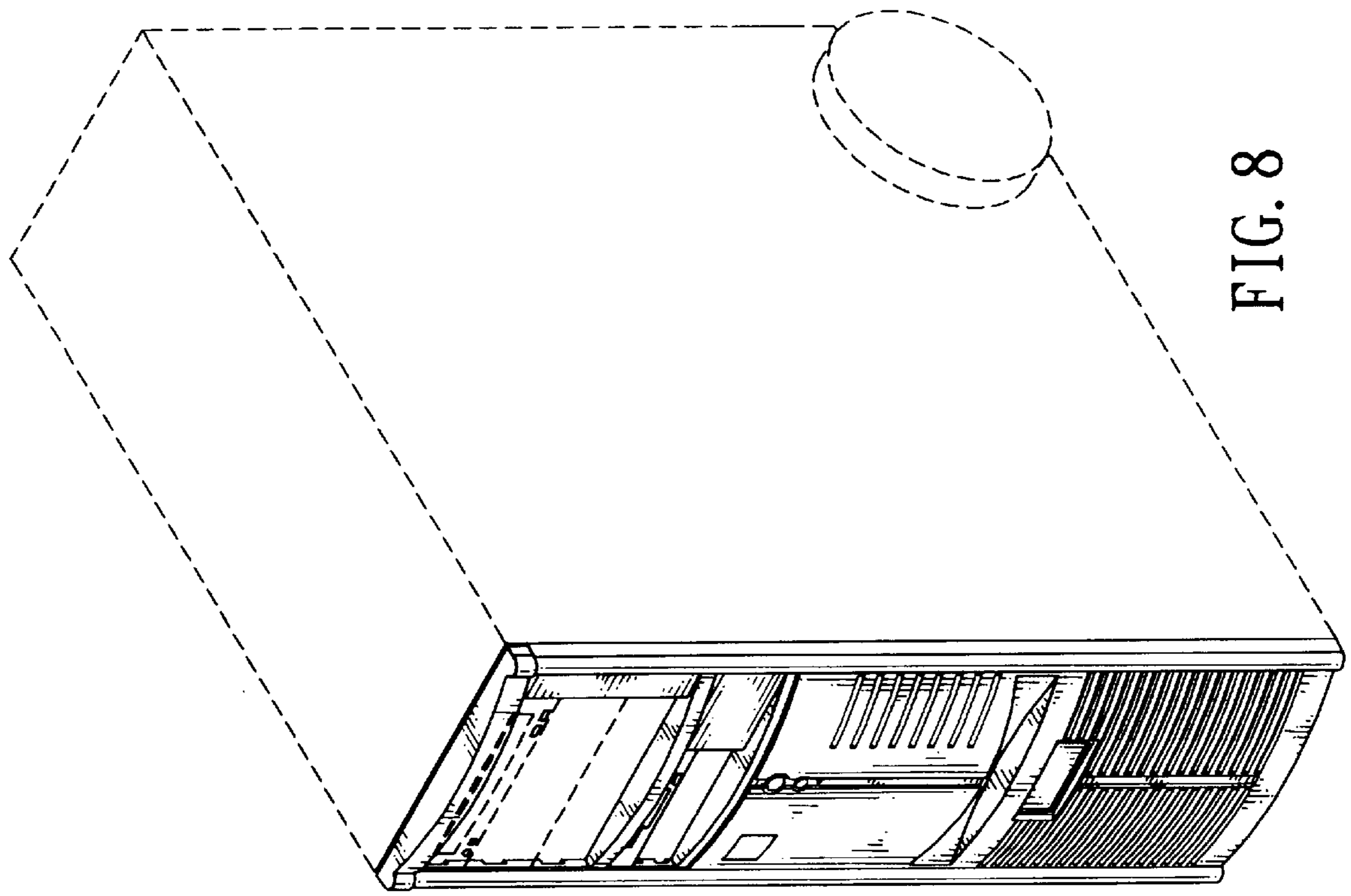


FIG. 8

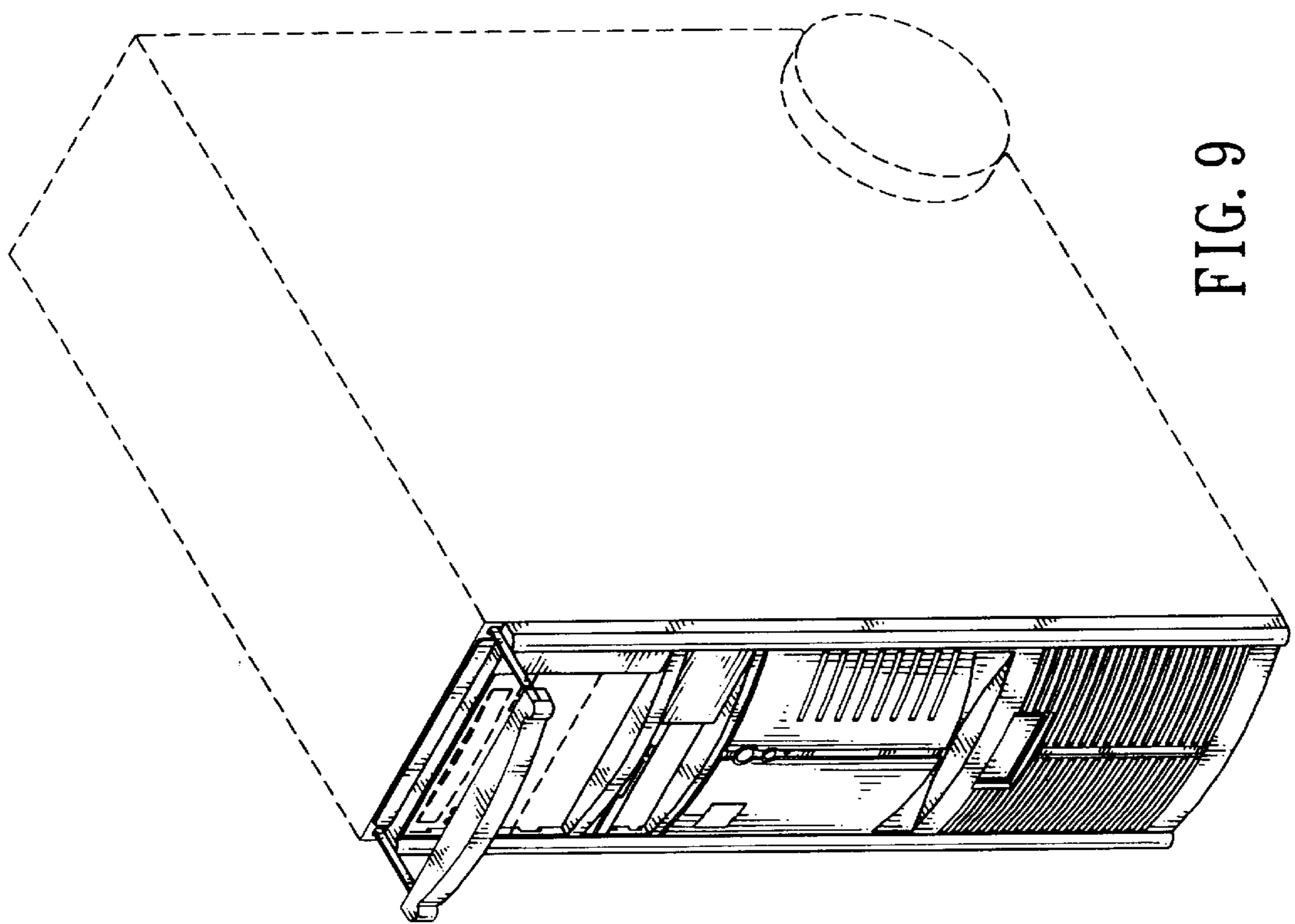


FIG. 9