



US00D415132S

# United States Patent [19]

Homma et al.

[11] **Patent Number: Des. 415,132**

[45] **Date of Patent: \*\* Oct. 12, 1999**

[54] **MEMORY CARD**

[75] Inventors: **Kazuhiro Homma; Yoshikazu Katoh; Kenichi Yotsutani**, all of Tokyo, Japan

[73] Assignee: **Honda Tsushin Kogyo Co., Ltd.**, Tokyo, Japan

[\*\*] Term: **14 Years**

[21] Appl. No.: **29/093,607**

[22] Filed: **Sep. 15, 1998**

### [30] Foreign Application Priority Data

Apr. 8, 1998 [JP] Japan ..... 10-9770

[51] **LOC (6) Cl.** ..... **14-02**

[52] **U.S. Cl.** ..... **D14/114; D14/117**

[58] **Field of Search** ..... D14/100-117.9; 235/492, 441; 439/353, 60, 633, 677; 361/752, 684, 686

### [56] References Cited

#### U.S. PATENT DOCUMENTS

D. 298,326 11/1988 Kimura ..... D14/114

D. 305,886	2/1990	Banjo et al. ....	D14/117
D. 320,225	9/1991	Ido et al. ....	D18/12
D. 325,573	4/1992	Glegg et al. ....	D14/114
D. 370,009	5/1996	Smedley, Jr. et al. ....	D14/114
5,529,503	6/1996	Kerklaan .....	439/76.1

*Primary Examiner*—Kay H. Chin  
*Attorney, Agent, or Firm*—Nikaido, Marmelstein, Murray & Oram LLP

### [57] CLAIM

The ornamental design for memory card, as shown and described.

### DESCRIPTION

FIG. 1 is a perspective view of the memory card showing our new design;  
FIG. 2 is a front elevational view thereof;  
FIG. 3 is a rear elevational view thereof;  
FIG. 4 is a right side elevational view thereof;  
FIG. 5 is a top plan view thereof;  
FIG. 6 is a left side elevational view thereof; and,  
FIG. 7 is a bottom plan view thereof.

**1 Claim, 3 Drawing Sheets**

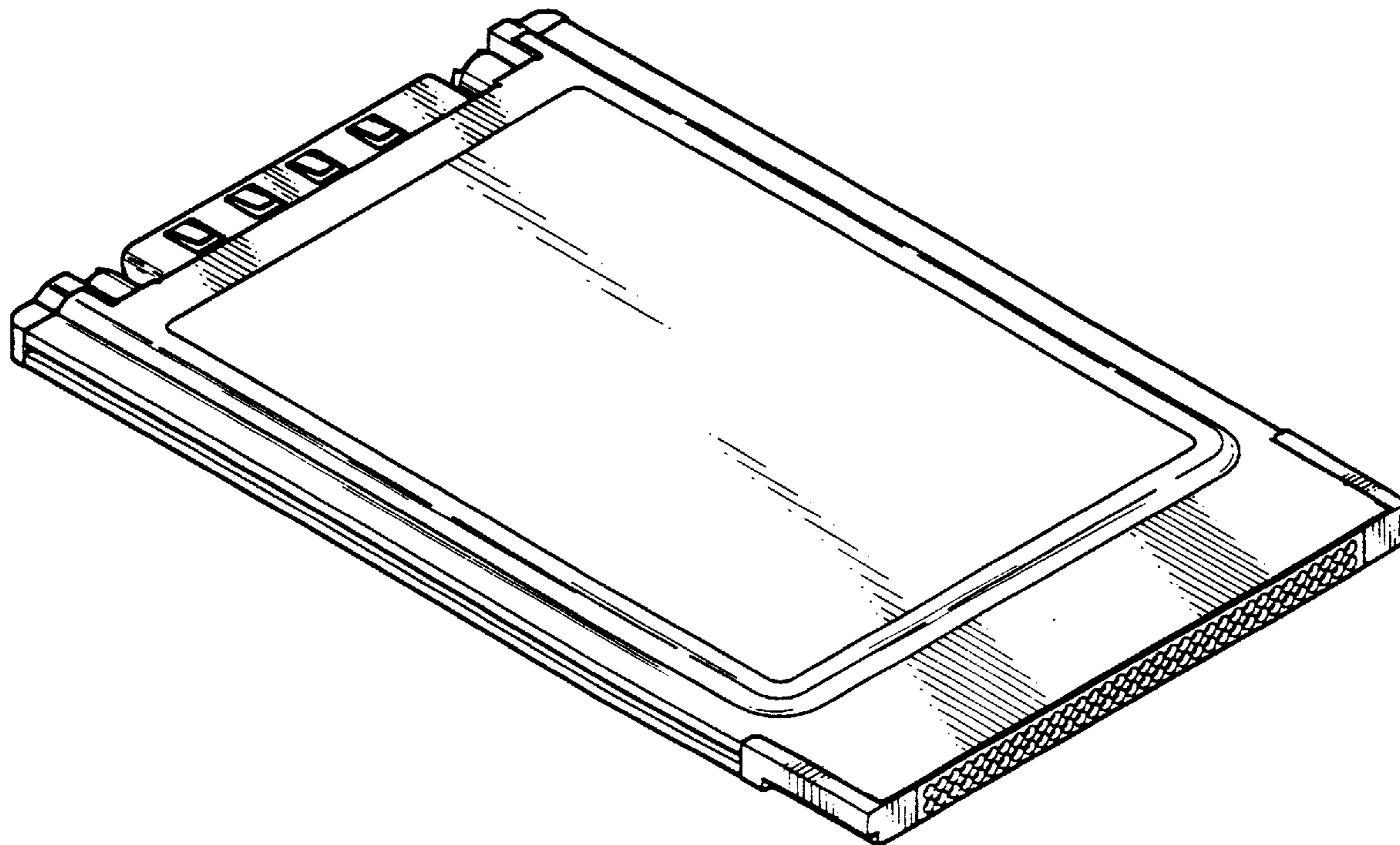


FIG. 1

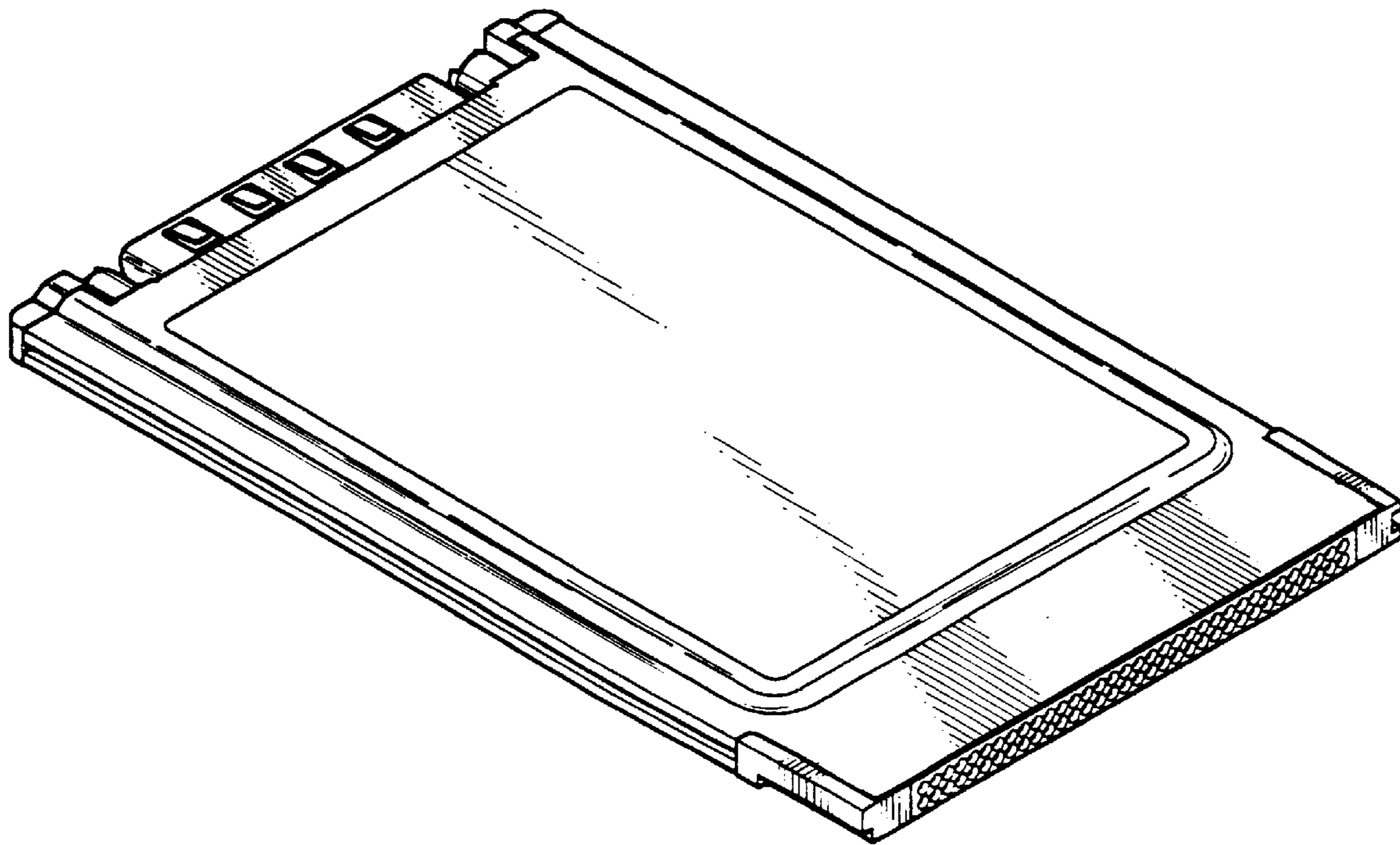


FIG. 2

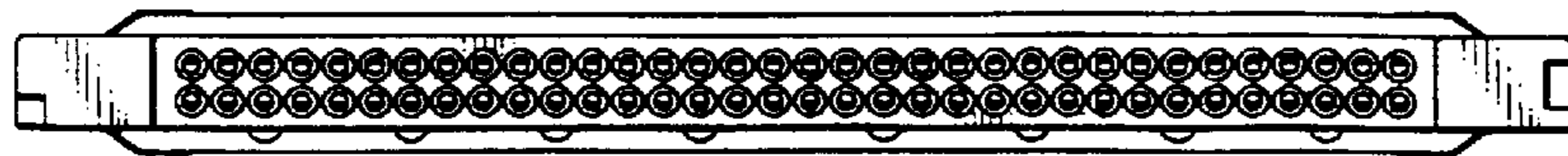


FIG. 3



FIG. 4

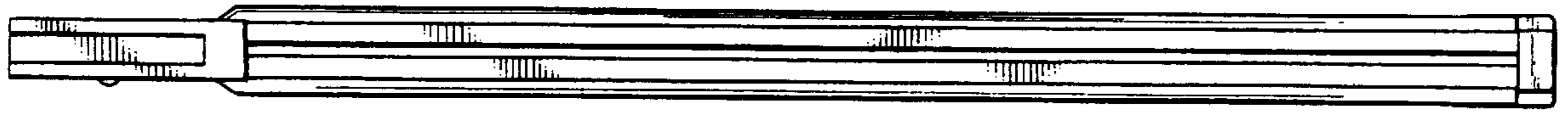


FIG. 5

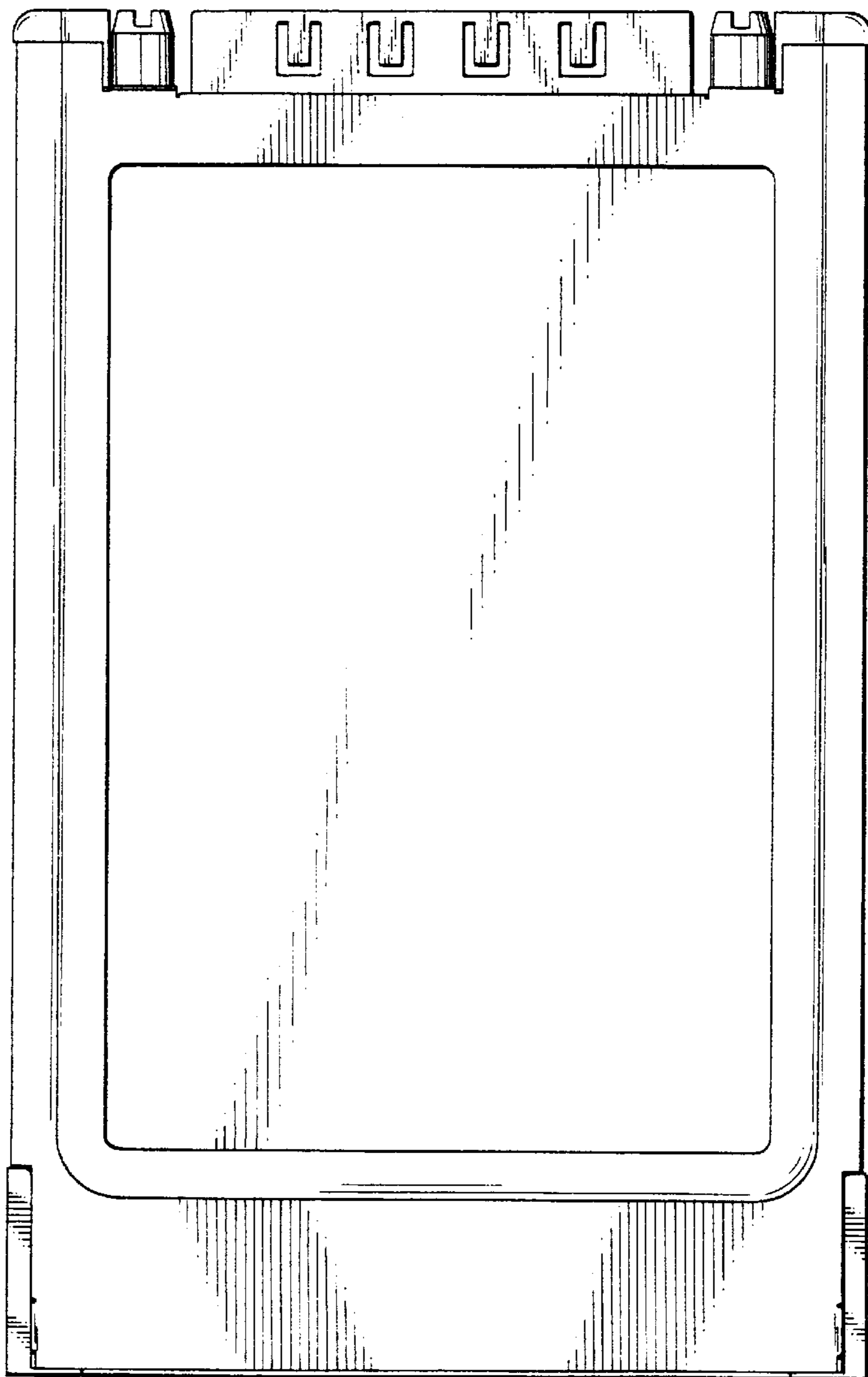


FIG. 6

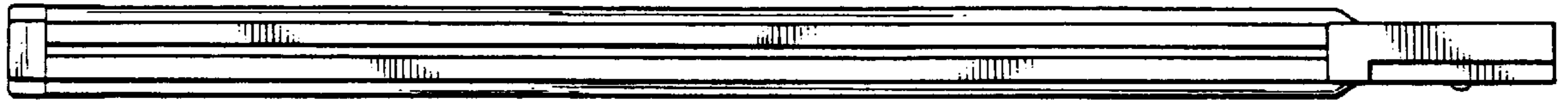


FIG. 7

