



US00D415130S

# United States Patent [19]

Chuo et al.

[11] Patent Number: Des. 415,130

[45] Date of Patent: \*\* \*Oct. 12, 1999

[54] COMPUTER DISPLAY

[75] Inventors: Yu-Hsin Chuo; Yu-Jing Lin, both of Taipei, Taiwan

[73] Assignee: Compal Electronics, Inc., Taipei, Taiwan

[\*] Notice: This patent is subject to a terminal disclaimer.

[\*\*] Term: 14 Years

[21] Appl. No.: 29/087,604

[22] Filed: May 6, 1998

[51] LOC (6) Cl. .... 14-02

[52] U.S. Cl. .... D14/113; D14/126

[58] Field of Search ..... D14/100, 101, D14/106, 113, 124-129; 248/918-924; 341/12; 345/104, 133, 156, 168, 87, 173; 348/180, 184, 325, 739

### [56] References Cited

#### U.S. PATENT DOCUMENTS

D. 369,150 4/1996 Vossoughi ..... D14/113

D. 370,466 6/1996 Vossoughi ..... D14/100  
D. 375,489 11/1996 Esslinger ..... D14/113  
D. 390,545 2/1998 Chang ..... D14/113  
D. 391,241 2/1998 Cho ..... D14/113

Primary Examiner—Freda Nunn  
Attorney, Agent, or Firm—Bacon & Thomas, PLLC

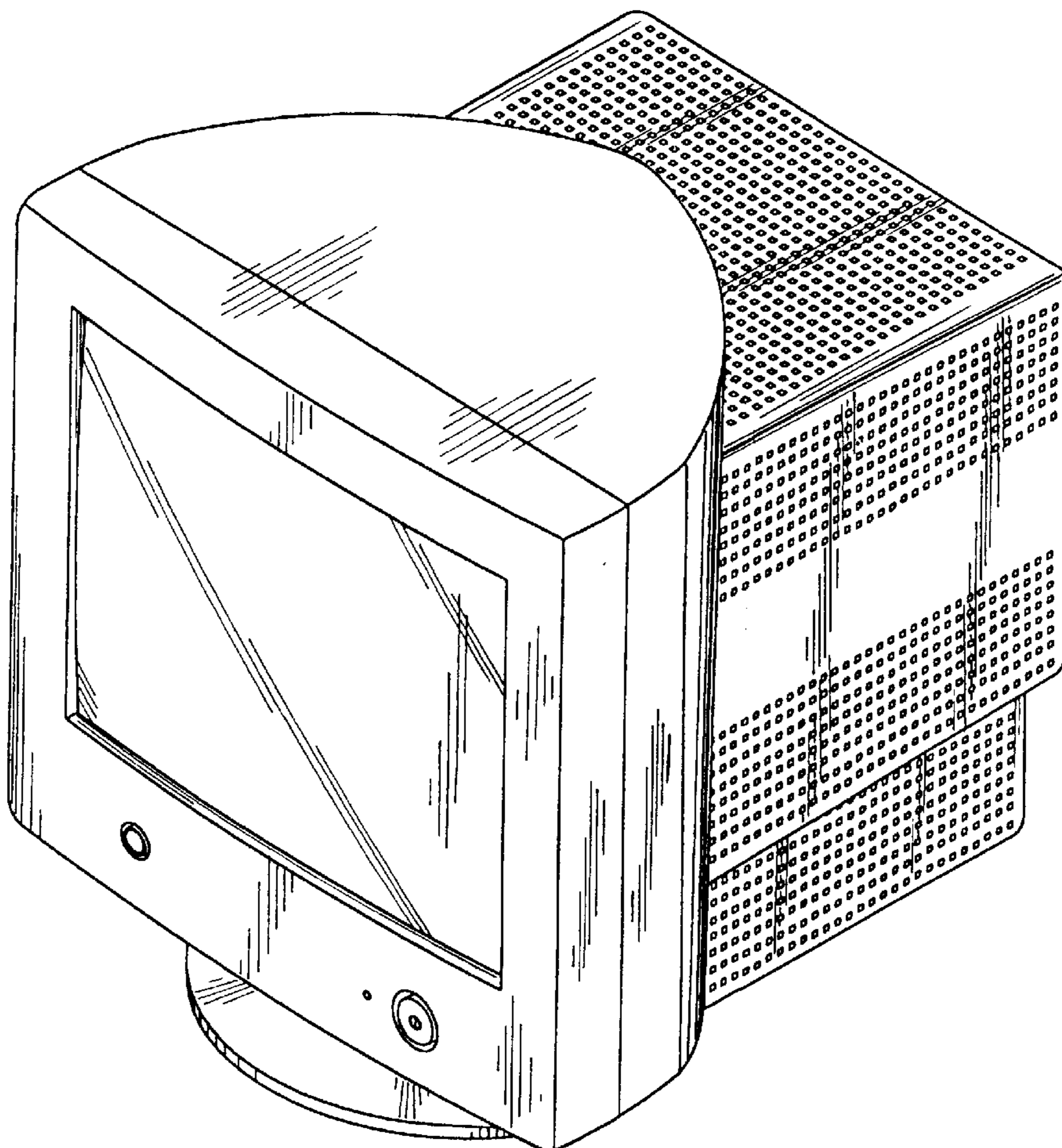
### [57] CLAIM

The ornamental design for a computer display, as shown and described.

### DESCRIPTION

FIG. 1 is a perspective view showing our new design for a computer display;  
FIG. 2 is a front elevational view thereof;  
FIG. 3 is a rear elevational view thereof;  
FIG. 4 is a left side elevational view thereof;  
FIG. 5 is a right side elevational view thereof;  
FIG. 6 is a top view thereof; and,  
FIG. 7 is a bottom view thereof.

1 Claim, 4 Drawing Sheets



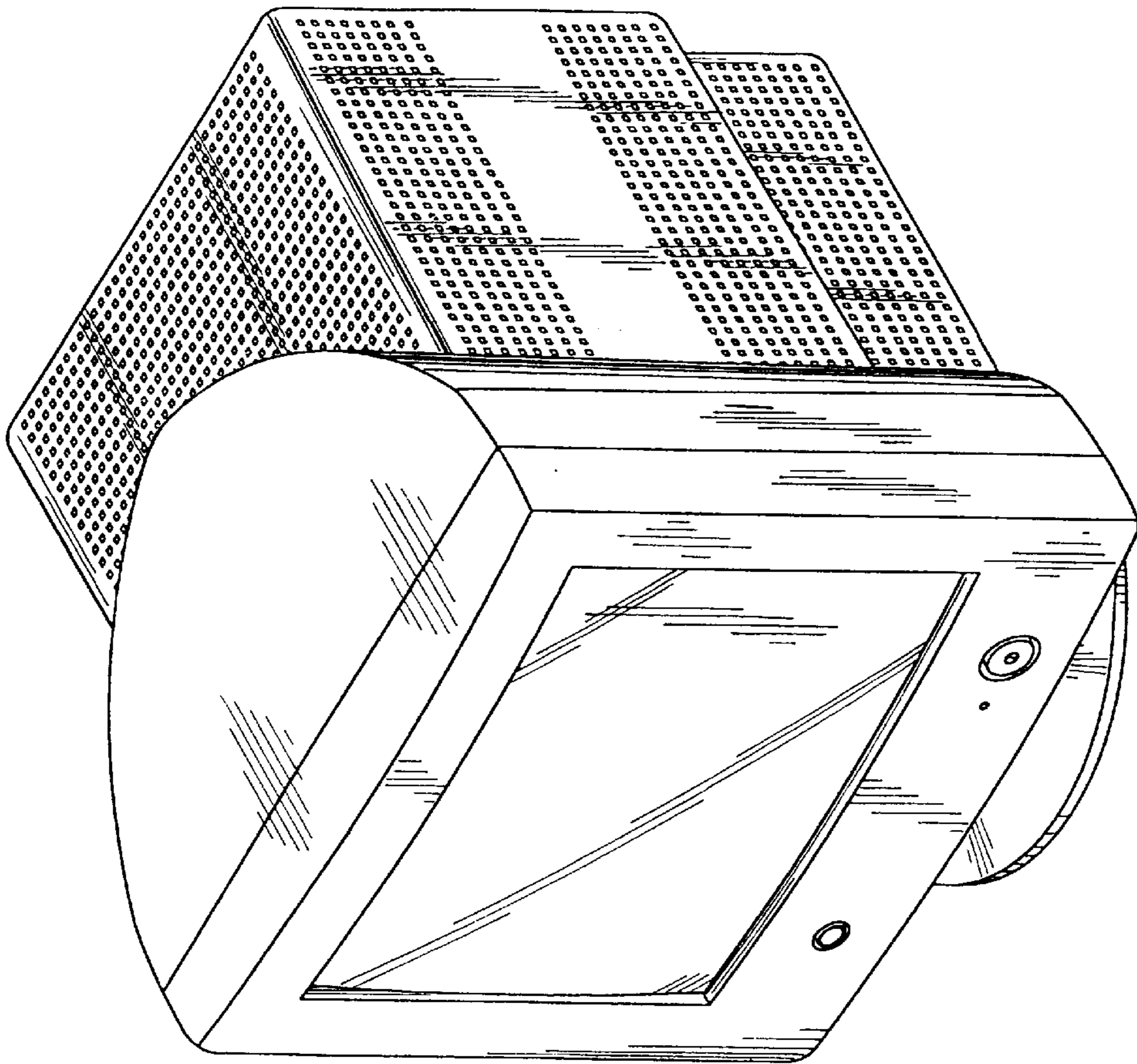


Fig. 1

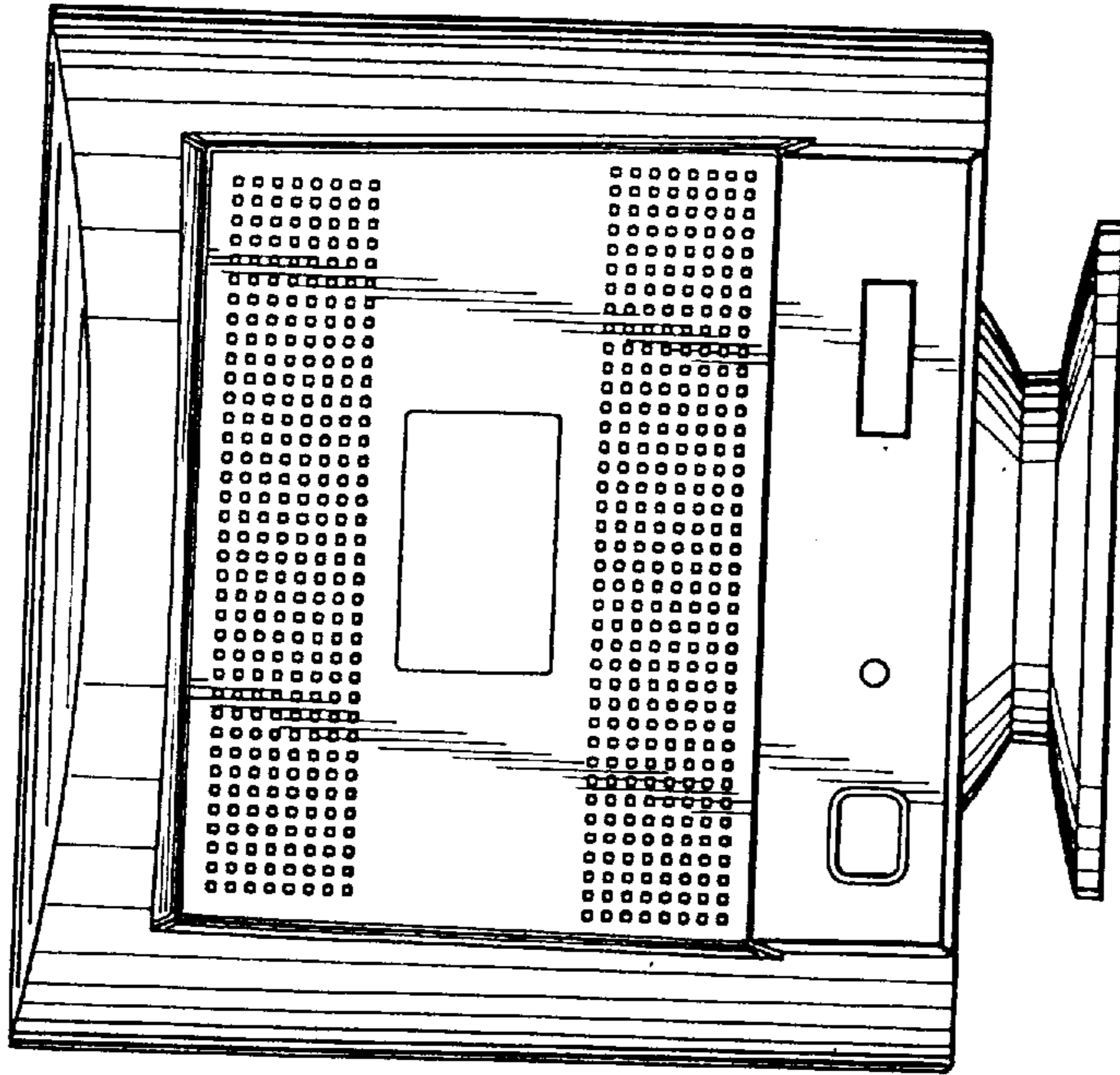


Fig.3

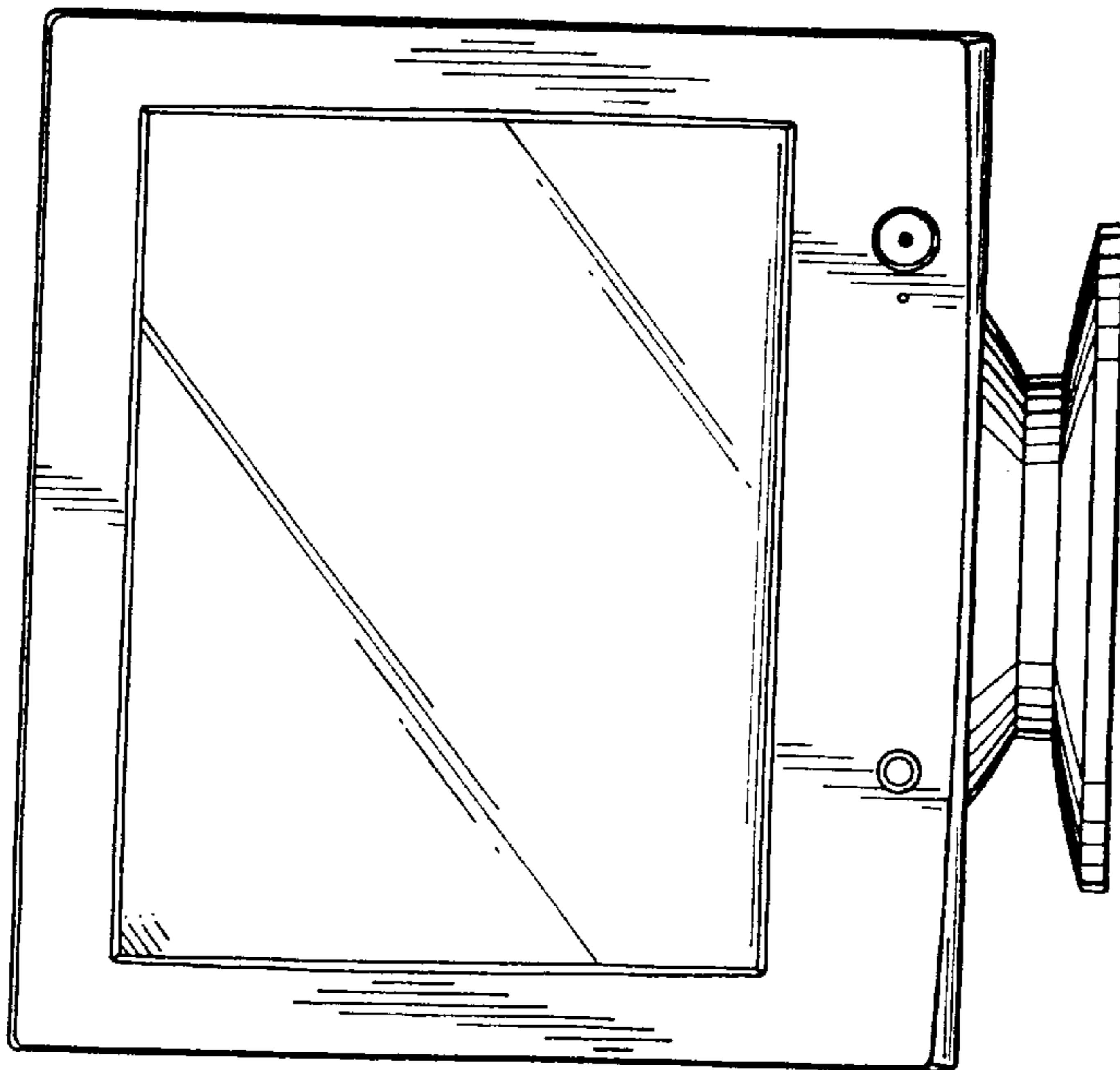


Fig.2

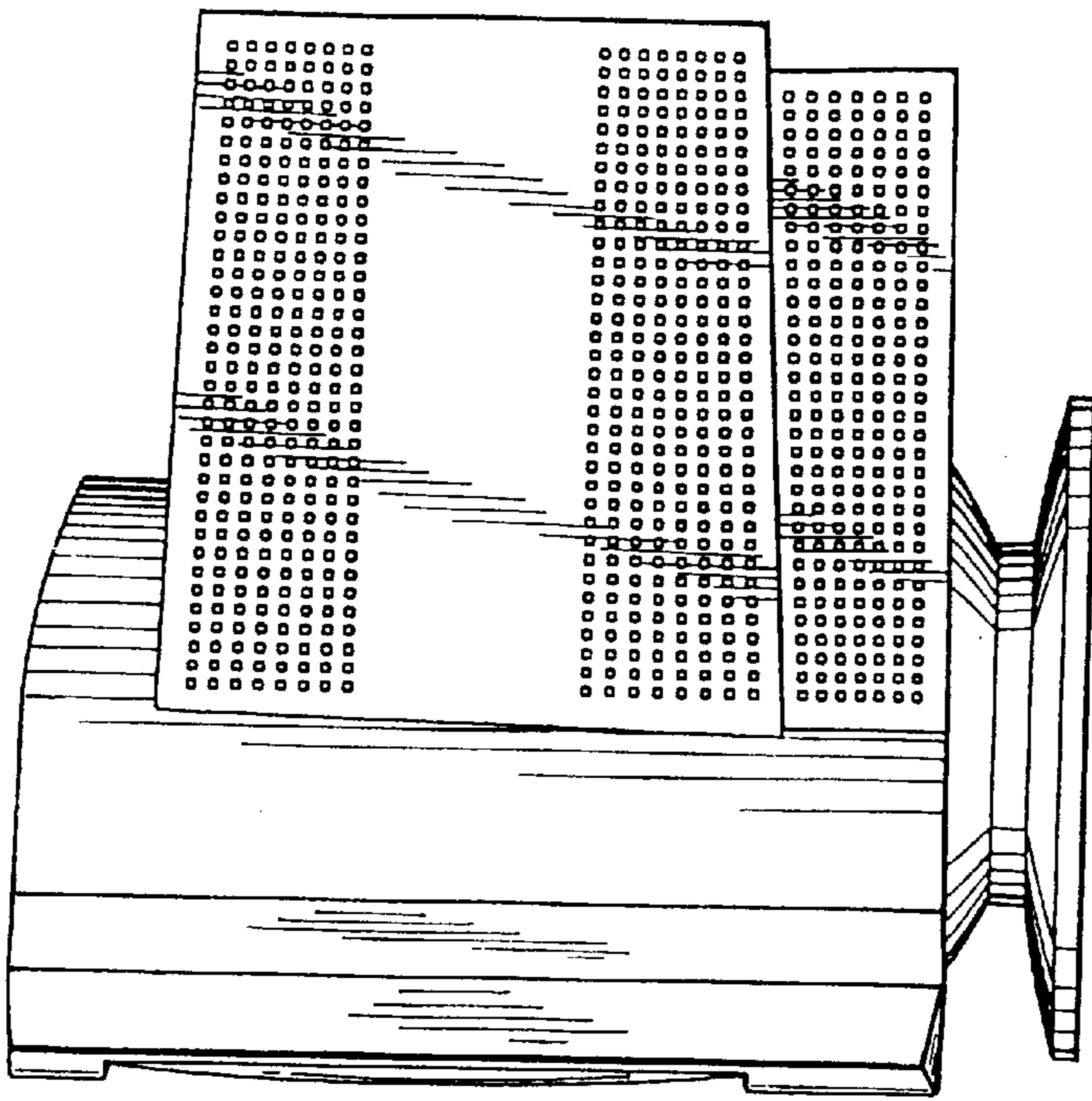


Fig.5

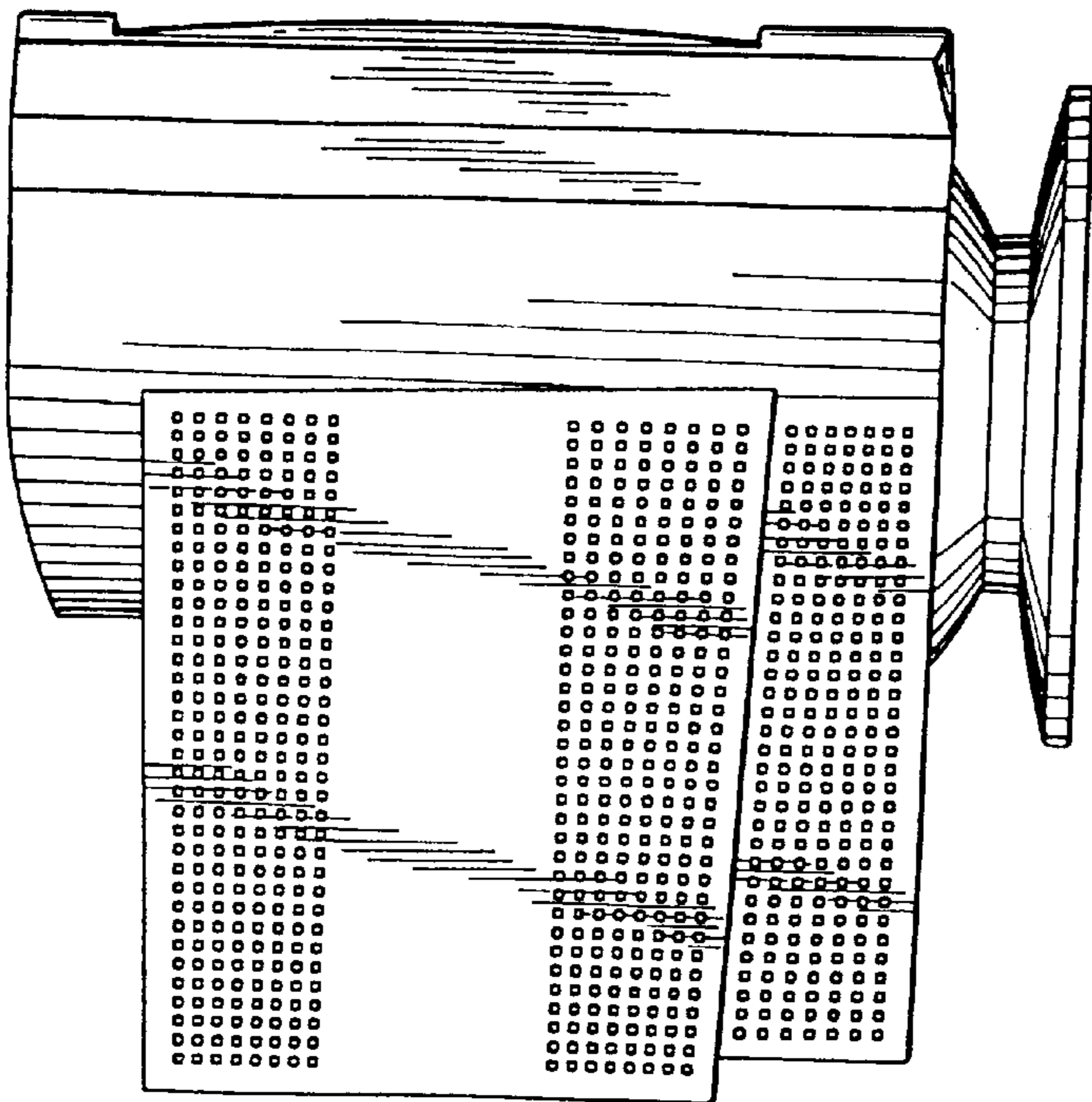


Fig.4

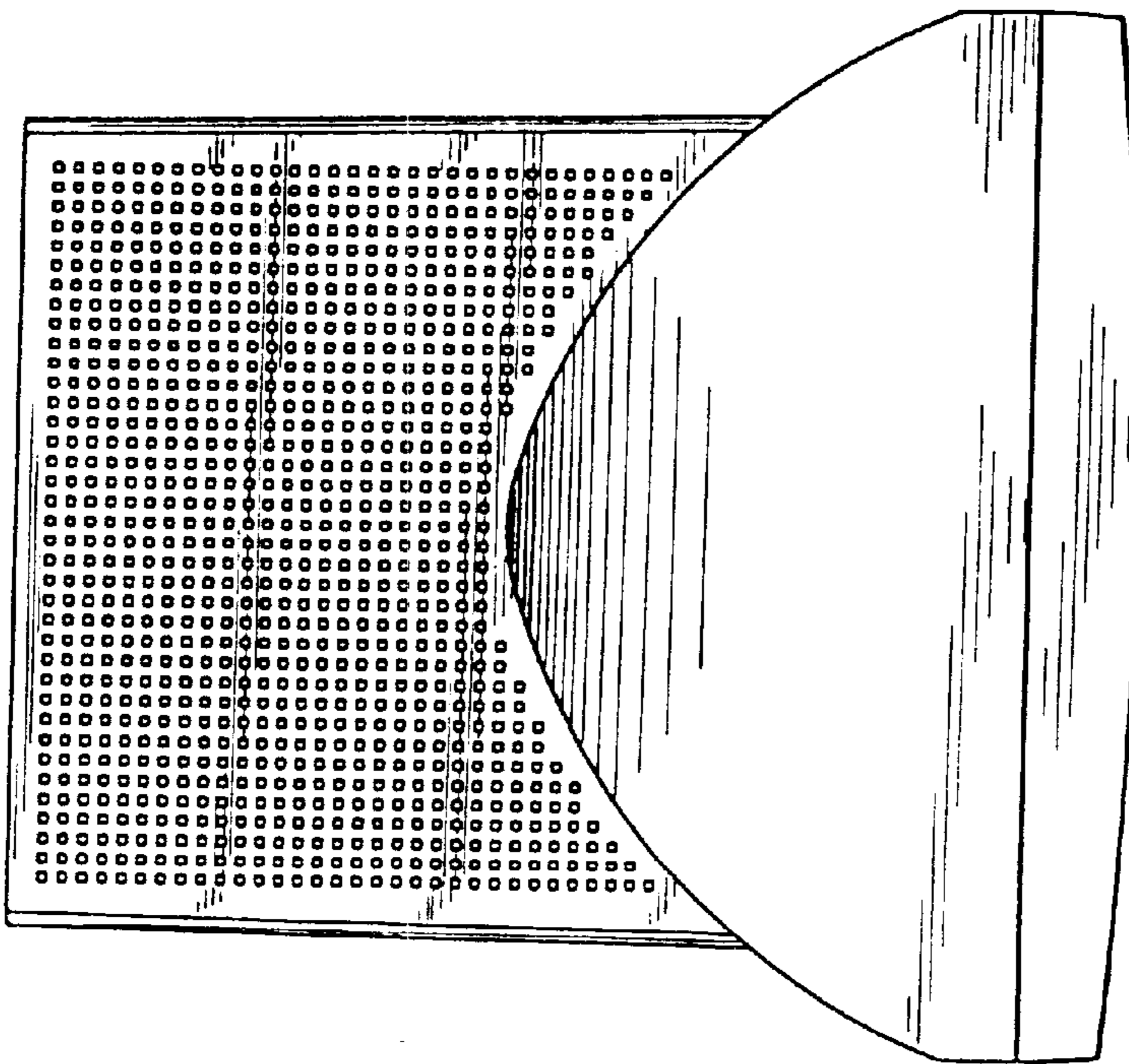


Fig. 6

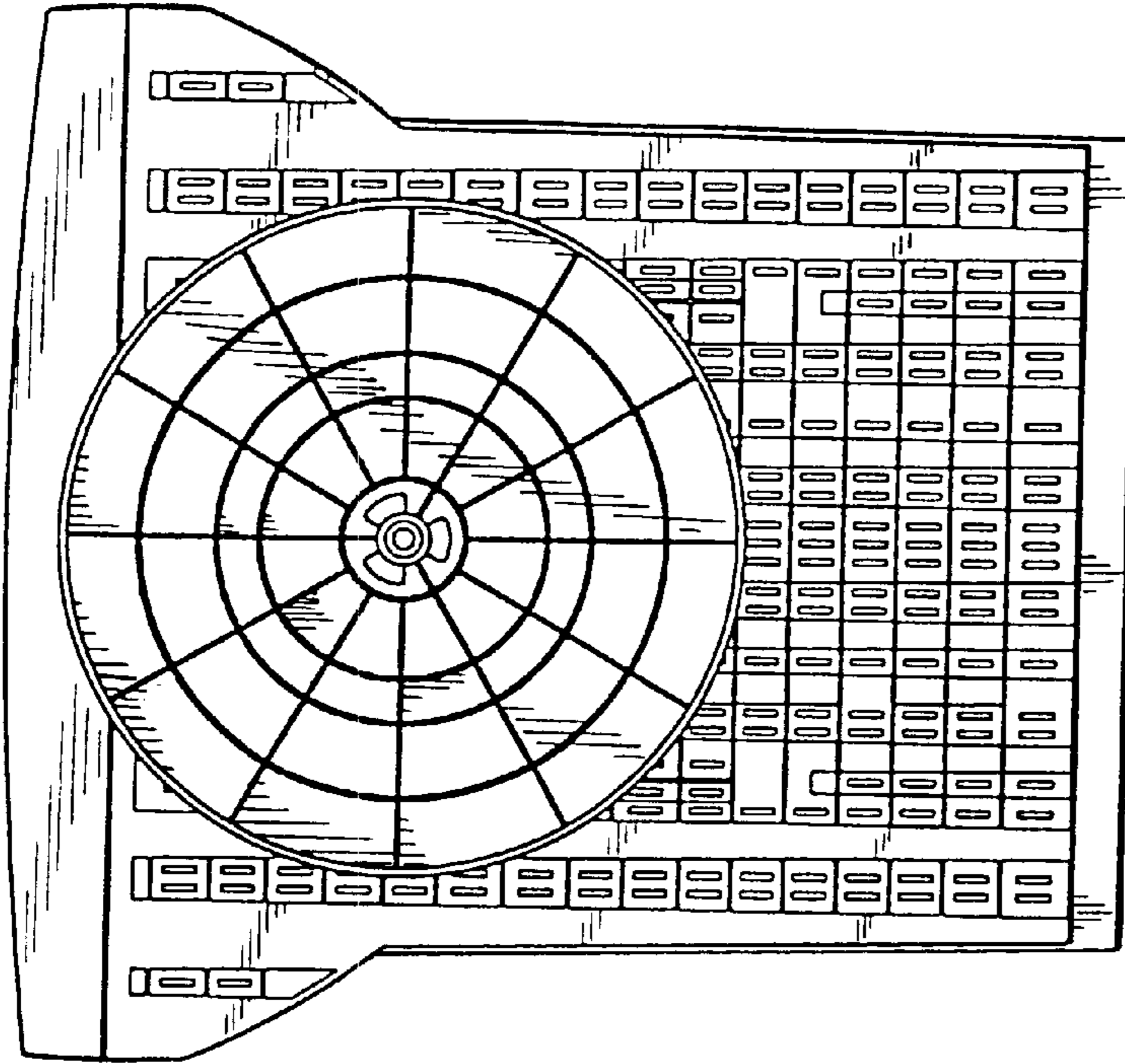


Fig. 7