



US00D415128S

United States Patent [19]
Kitera

[11] **Patent Number: Des. 415,128**

[45] **Date of Patent: ** Oct. 12, 1999**

[54] **SCANNER**

D. 366,470 1/1996 Youens et al. D14/107
D. 370,008 5/1996 Cheng D14/107

[75] Inventor: **Jun Kitera**, Tokyo, Japan

[73] Assignee: **Asahi Kogaku Kogyo Kabushiki Kaisha**, Tokyo, Japan

Primary Examiner—Freda Nunn
Attorney, Agent, or Firm—Sughrue, Mion, Zinn, Macpeak & Seas, PLLC

[**] Term: **14 Years**

[57] **CLAIM**

[21] Appl. No.: **29/096,528**

The ornamental design for a scanner, as shown.

[22] Filed: **Nov. 13, 1998**

DESCRIPTION

[30] **Foreign Application Priority Data**

May 14, 1998 [JP] Japan 10-13580

FIG. 1 is a perspective view of the top, front and right side of a scanner showing my new design;

[51] **LOC (6) Cl.** **14-02**

FIG. 2 is a front elevational view thereof;

[52] **U.S. Cl.** **D14/107**

FIG. 3 is a top plan view thereof;

[58] **Field of Search** D14/100, 107,
D14/114; D18/36, 37, 39; 250/556; 235/380,
382, 382.5, 454; 355/64, 65, 75, 81

FIG. 4 is a bottom plan view thereof;

FIG. 5 is a left side elevational view thereof;

FIG. 6 is a right side elevational view thereof; and,

FIG. 7 is a rear elevational view thereof.

[56] **References Cited**

U.S. PATENT DOCUMENTS

D. 340,232 10/1993 Yoshida D14/107

1 Claim, 3 Drawing Sheets

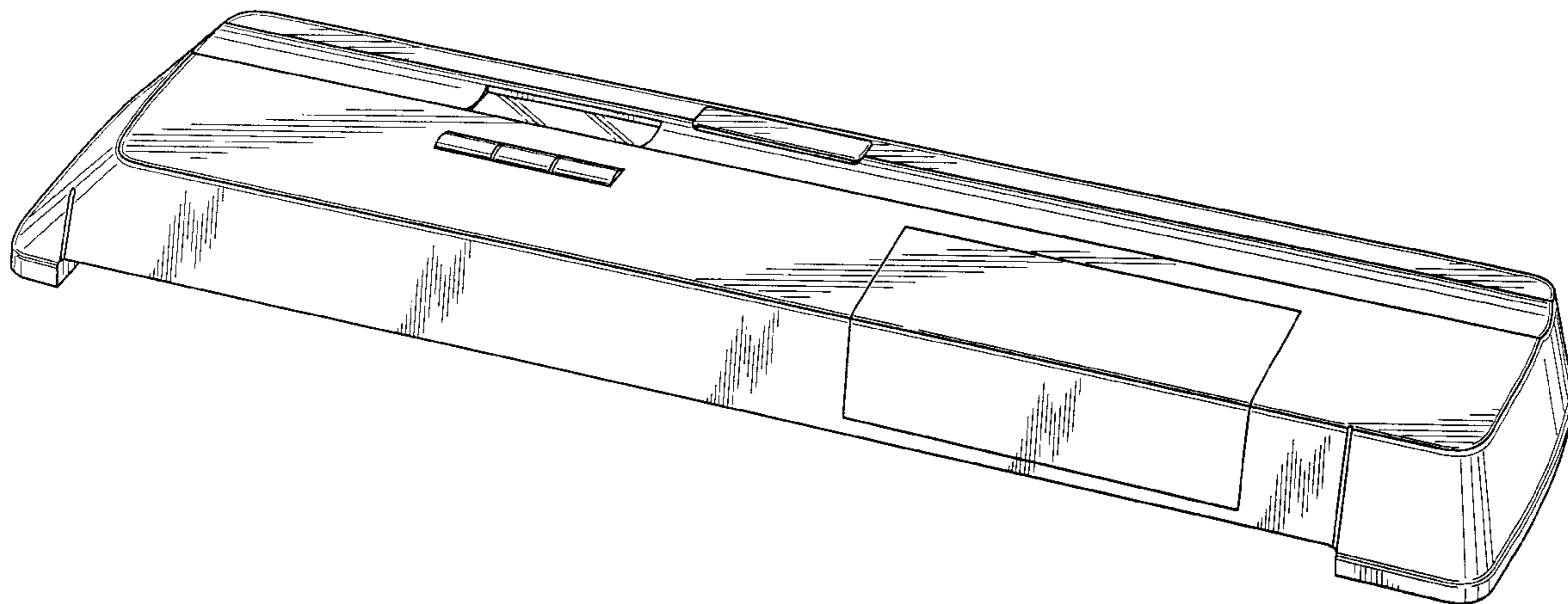


FIG. 1

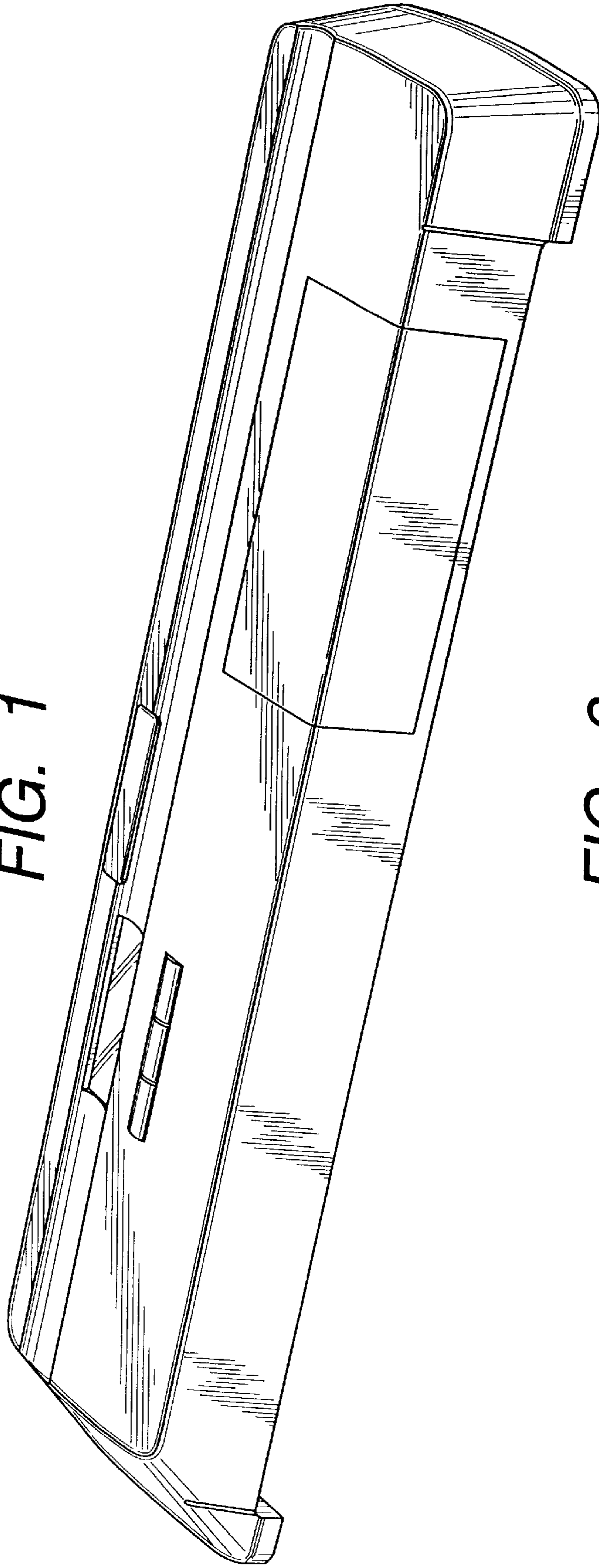


FIG. 2

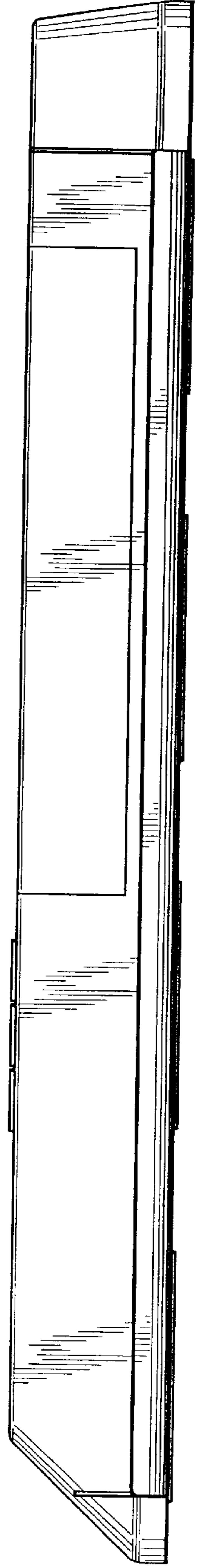


FIG. 3

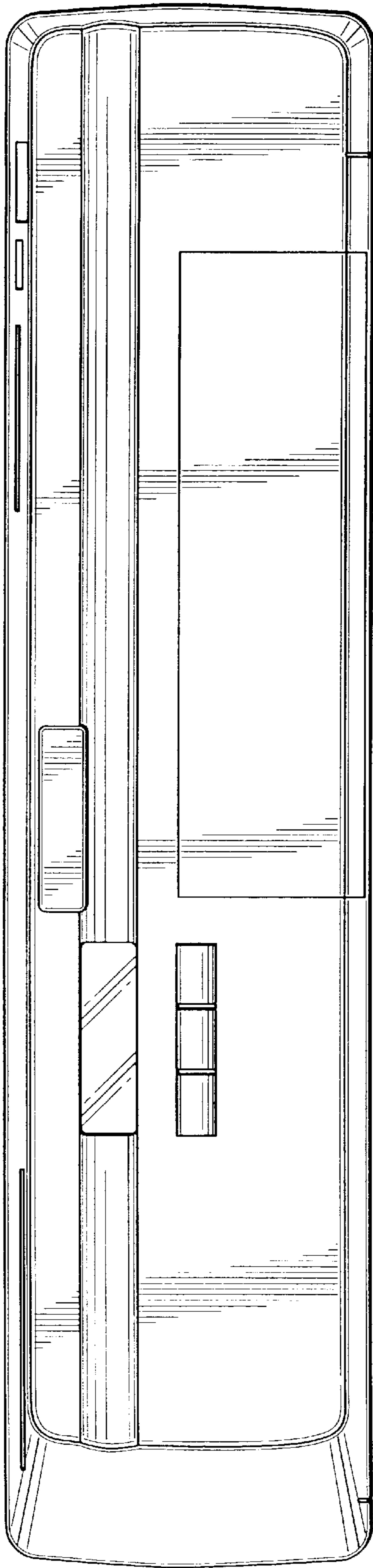


FIG. 4

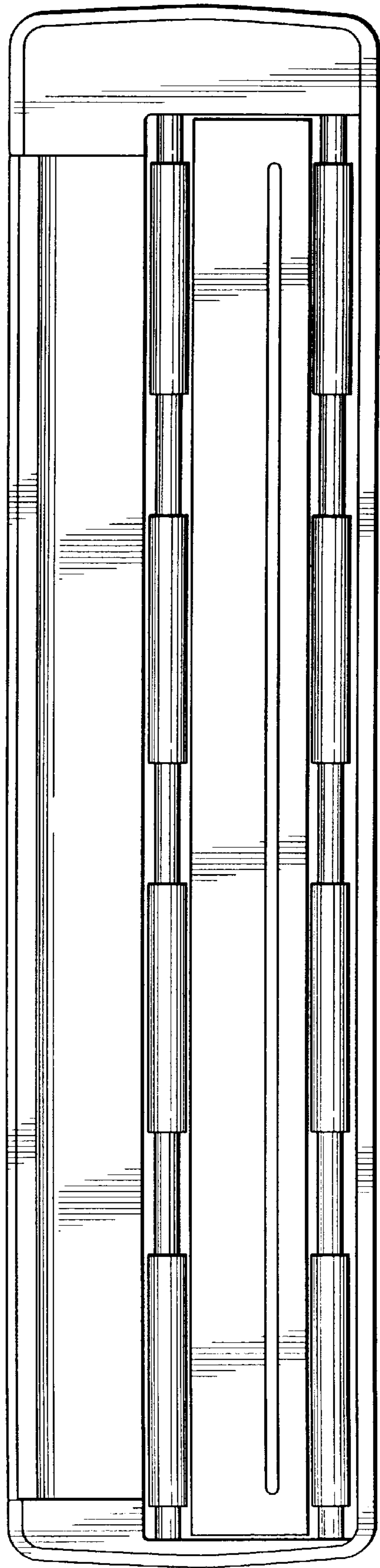


FIG. 5

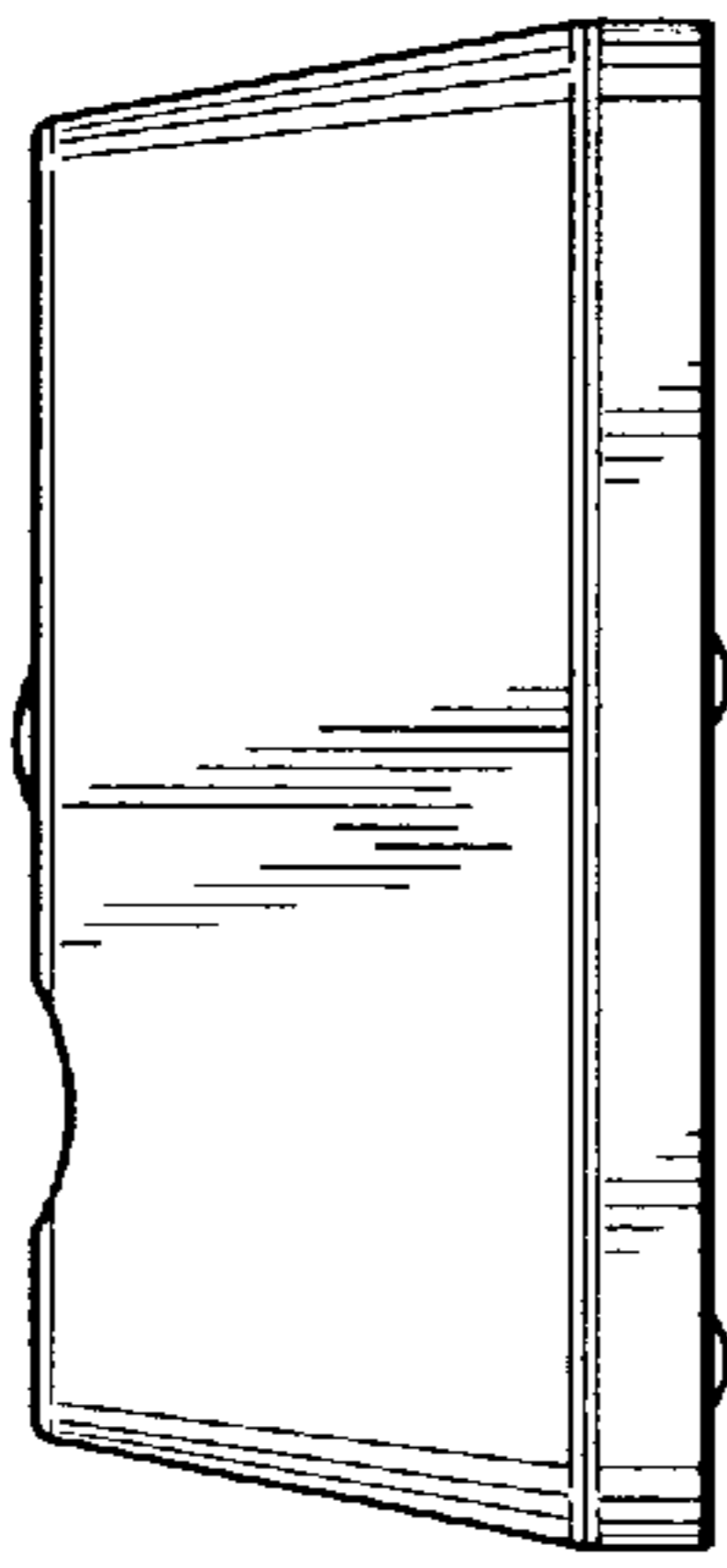


FIG. 6

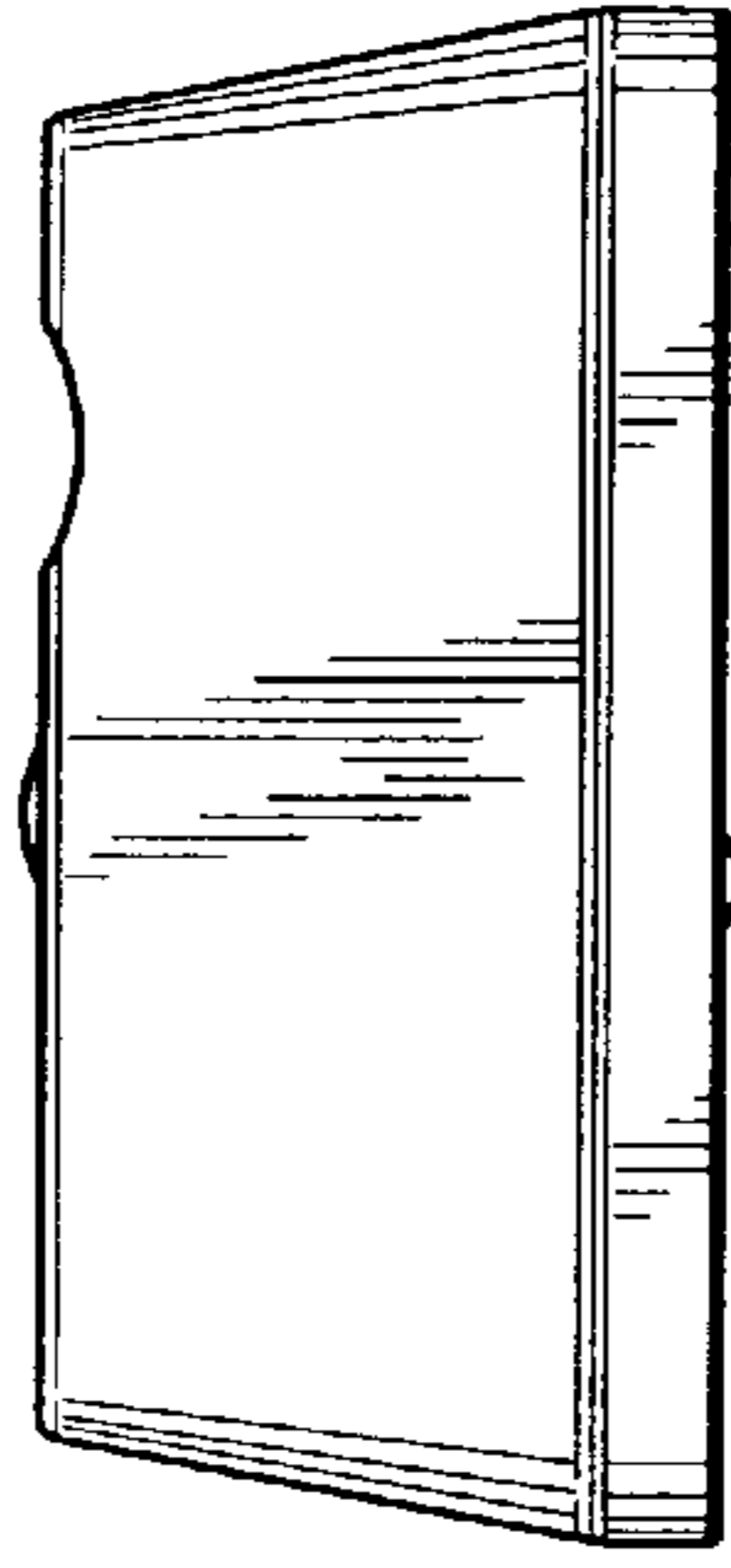


FIG. 7

