



US00D415125S

# United States Patent [19]

Arai et al.

[11] Patent Number: Des. 415,125

[45] Date of Patent: \*\* Oct. 12, 1999

[54] COMPUTER

925397 6/1995 Japan .  
955280 6/1996 Japan .  
979990 4/1997 Japan .

[75] Inventors: Hidebumi Arai; Yoshio Sakurai, both of Tokyo, Japan

[73] Assignee: Mitsubishi Denki Kabushiki Kaisha, Tokyo, Japan

Primary Examiner—Freda Nunn  
Attorney, Agent, or Firm—Oblon, Spivak, McClelland, Maier & Neustadt, P.C.

[\*\*] Term: 14 Years

### [57] CLAIM

[21] Appl. No.: 29/083,894

The ornamental design for a computer, as shown and described.

[22] Filed: Feb. 19, 1998

### DESCRIPTION

[51] LOC (6) Cl. .... 14-02  
[52] U.S. Cl. .... D14/106  
[58] Field of Search ..... D14/100, 101,  
D14/106, 113, 115; D18/1, 7; 235/145 A,  
145 R; 341/22, 23; 345/104, 156, 168,  
173; 361/680-686; 164/708.1; 400/486,  
489

FIG. 1 is a front elevational view of a computer, showing our new design;  
FIG. 2 is a rear elevational view thereof;  
FIG. 3 is a right side elevational view thereof;  
FIG. 4 is a left side elevational view thereof;  
FIG. 5 is a top plan view thereof;  
FIG. 6 is a bottom plan view thereof;  
FIG. 7 is an expanded cross-sectional view thereof, taken along line 7—7 in FIG. 1, with the internal system omitted;  
FIG. 8 is a front, top and right side perspective view thereof;  
FIG. 9 is a front, top and right side perspective view thereof, with a cover opened;  
FIG. 10 is a right side elevational view thereof in the closed position with a rear cover opened; and,  
FIG. 11 is a rear elevational view thereof, with the rear cover opened.

### [56] References Cited

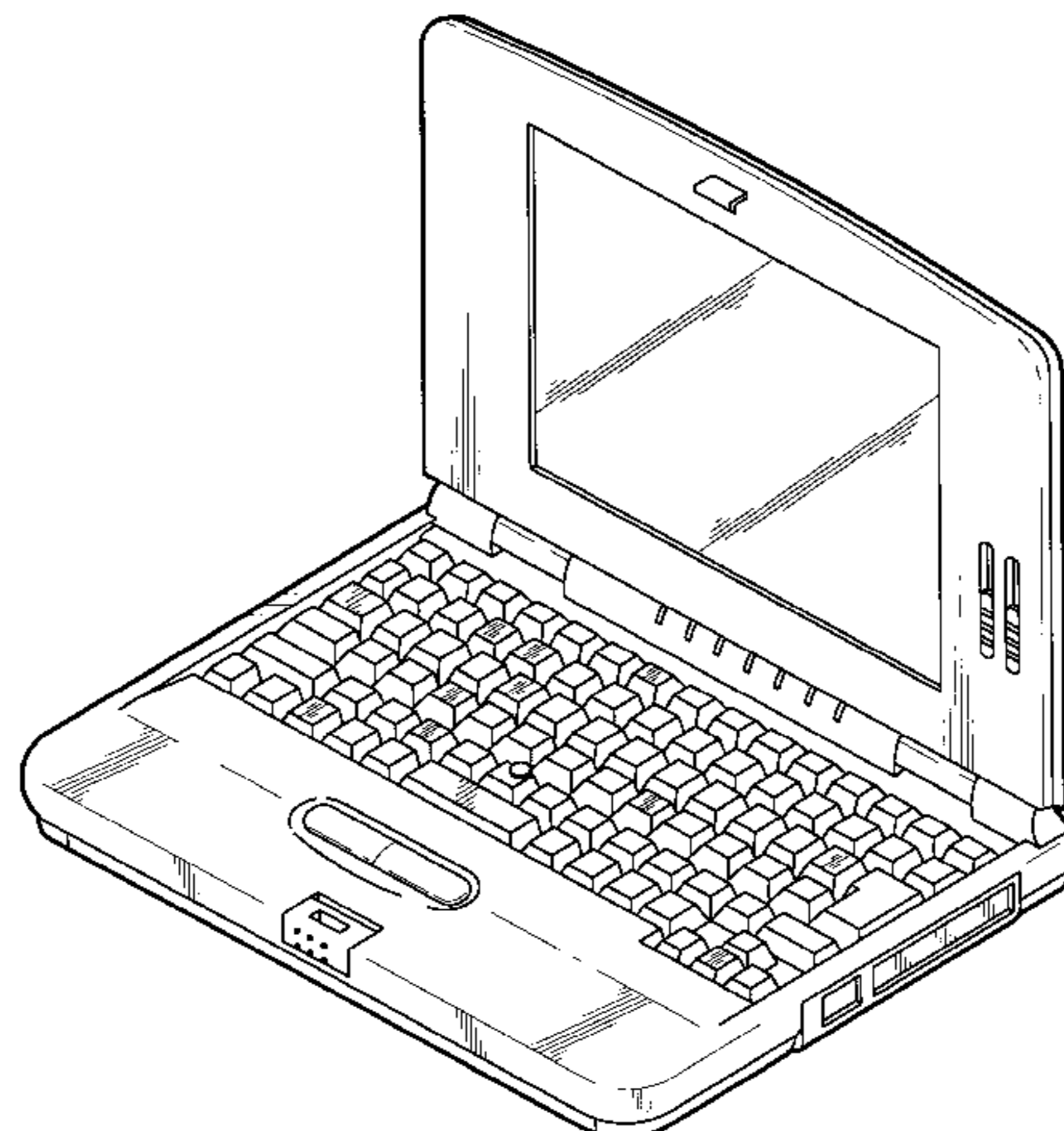
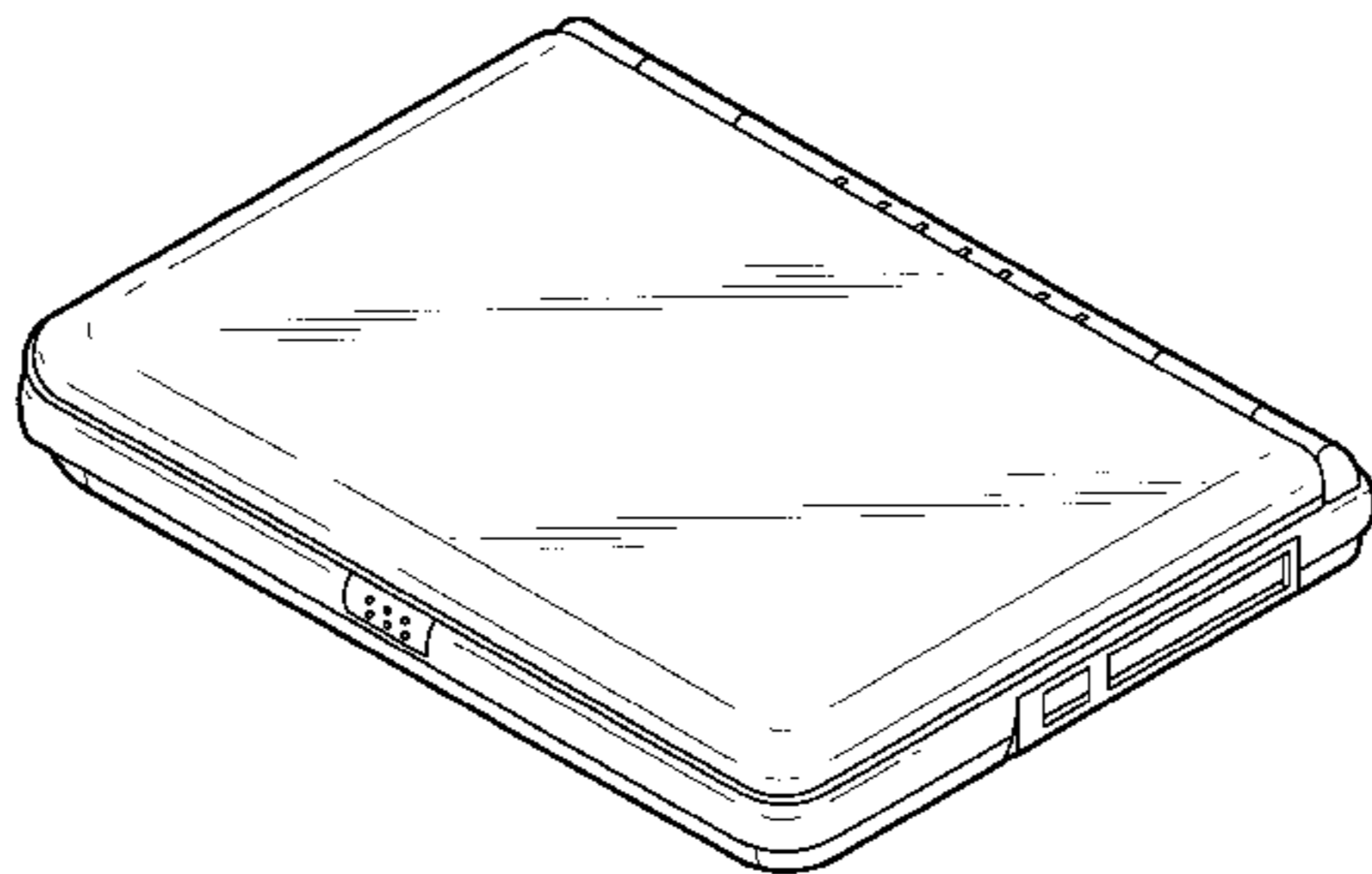
#### U.S. PATENT DOCUMENTS

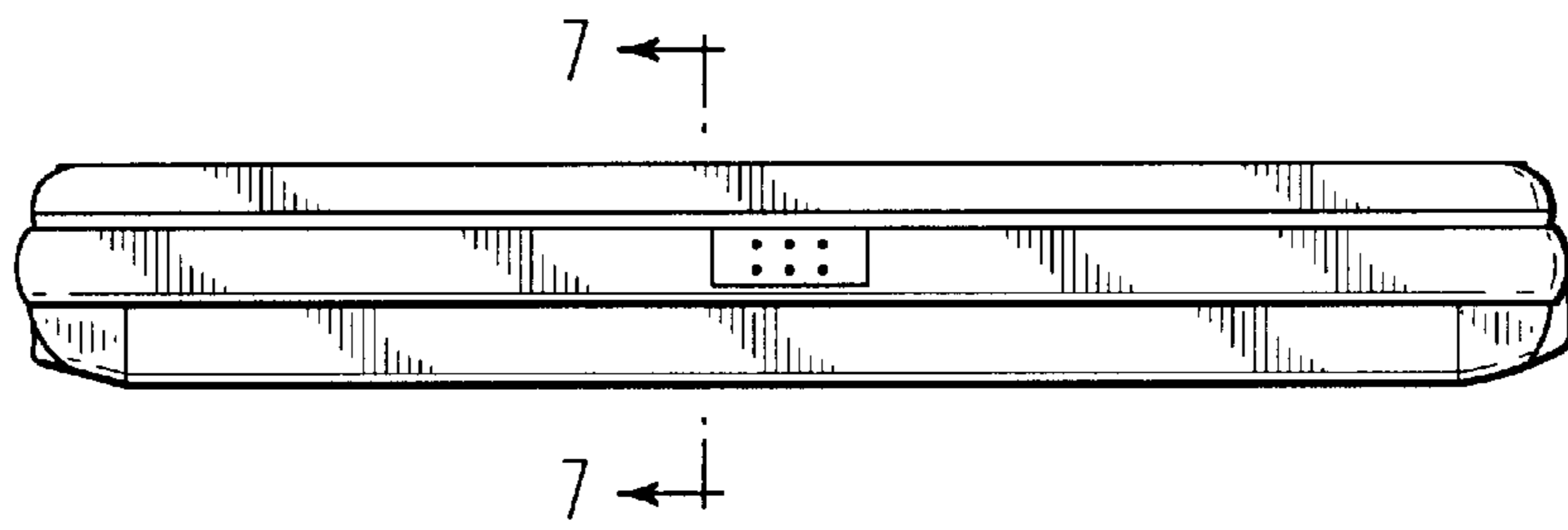
D. 356,069 3/1995 Lee .  
D. 359,032 6/1995 Wang .  
D. 364,387 11/1995 Chiba et al. .  
D. 373,578 9/1996 Shima et al. .... D14/106  
D. 376,584 12/1996 Inoue ..... D14/106  
D. 384,339 9/1997 Tochishita ..... D14/106  
D. 385,534 10/1997 Iwama et al. .

#### FOREIGN PATENT DOCUMENTS

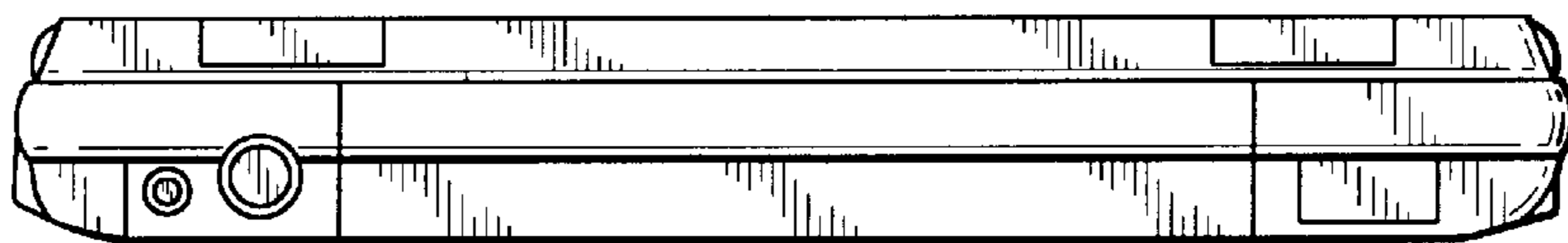
893035 3/1994 Japan .

1 Claim, 5 Drawing Sheets

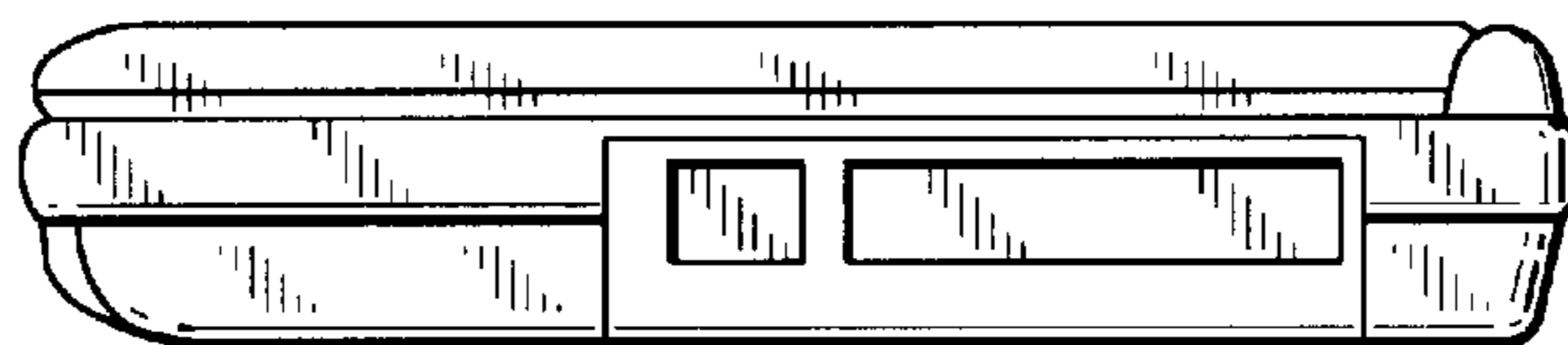




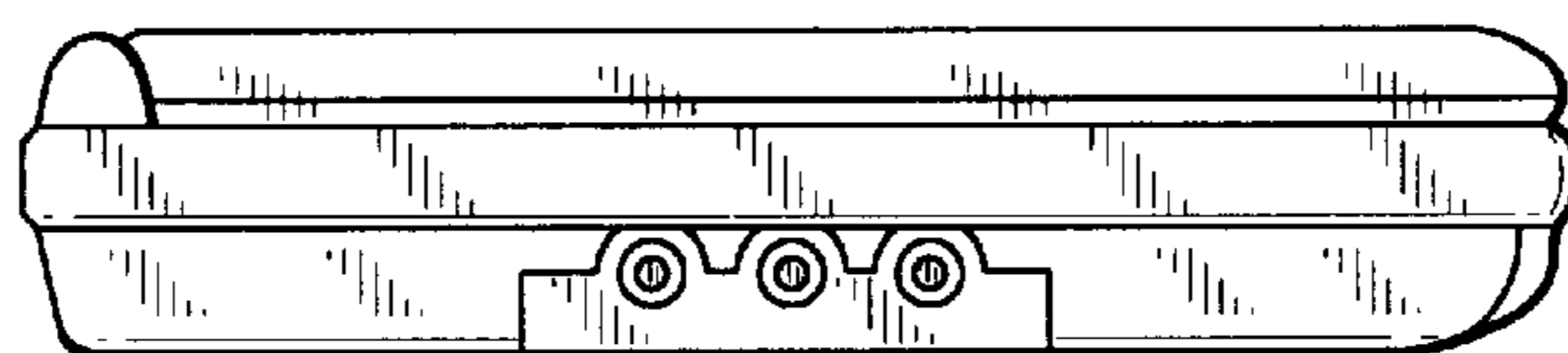
*FIG. 1*



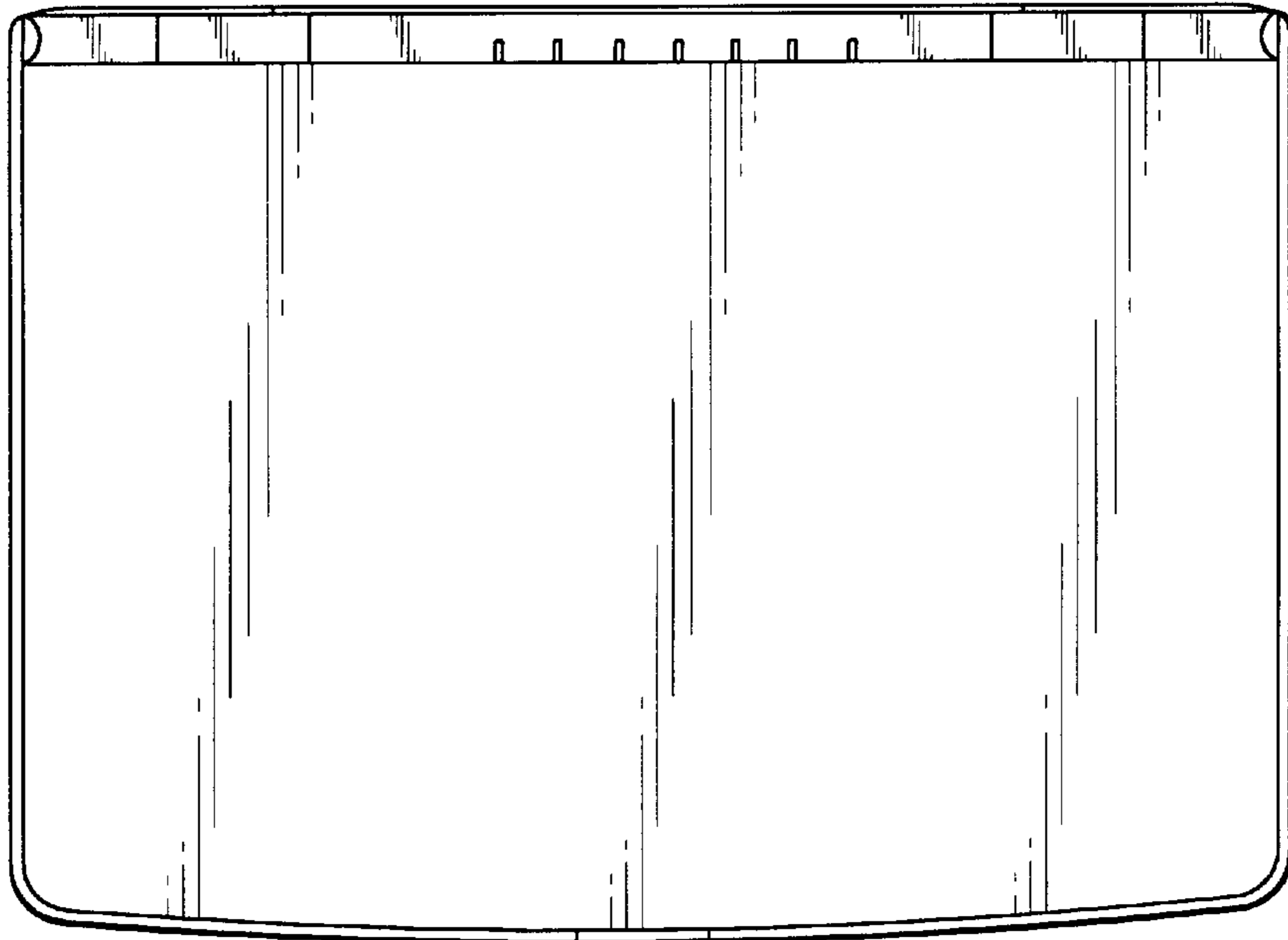
*FIG. 2*



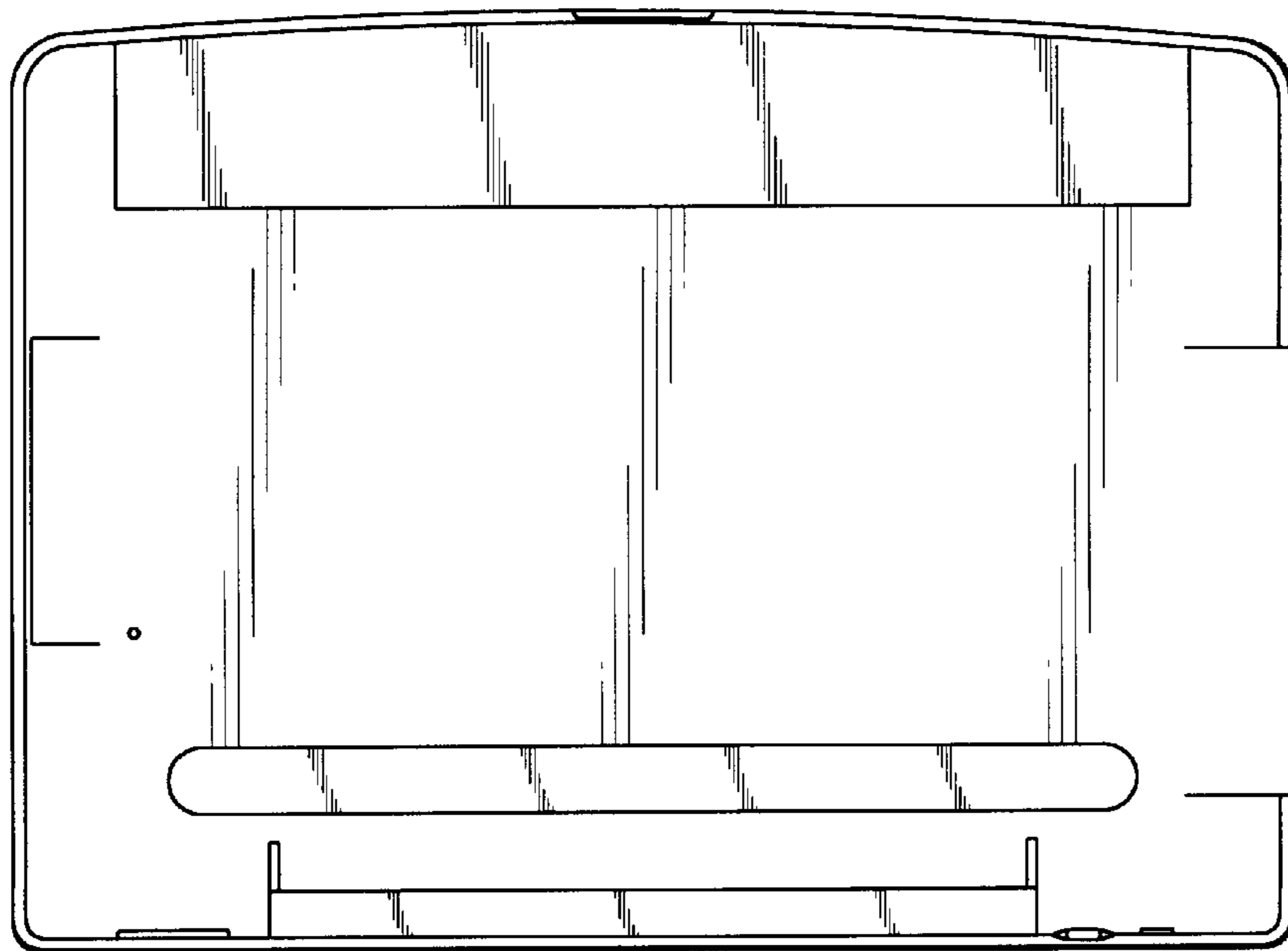
*FIG. 3*



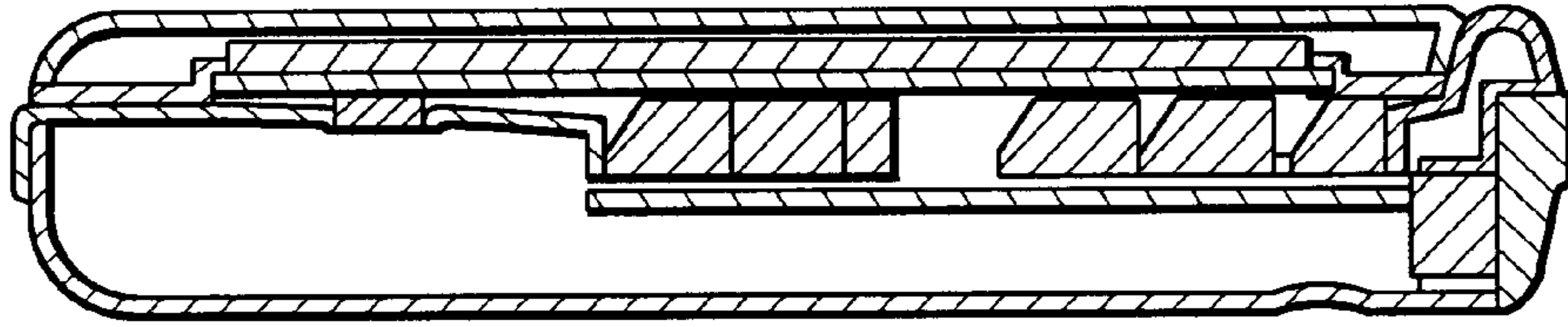
*FIG. 4*



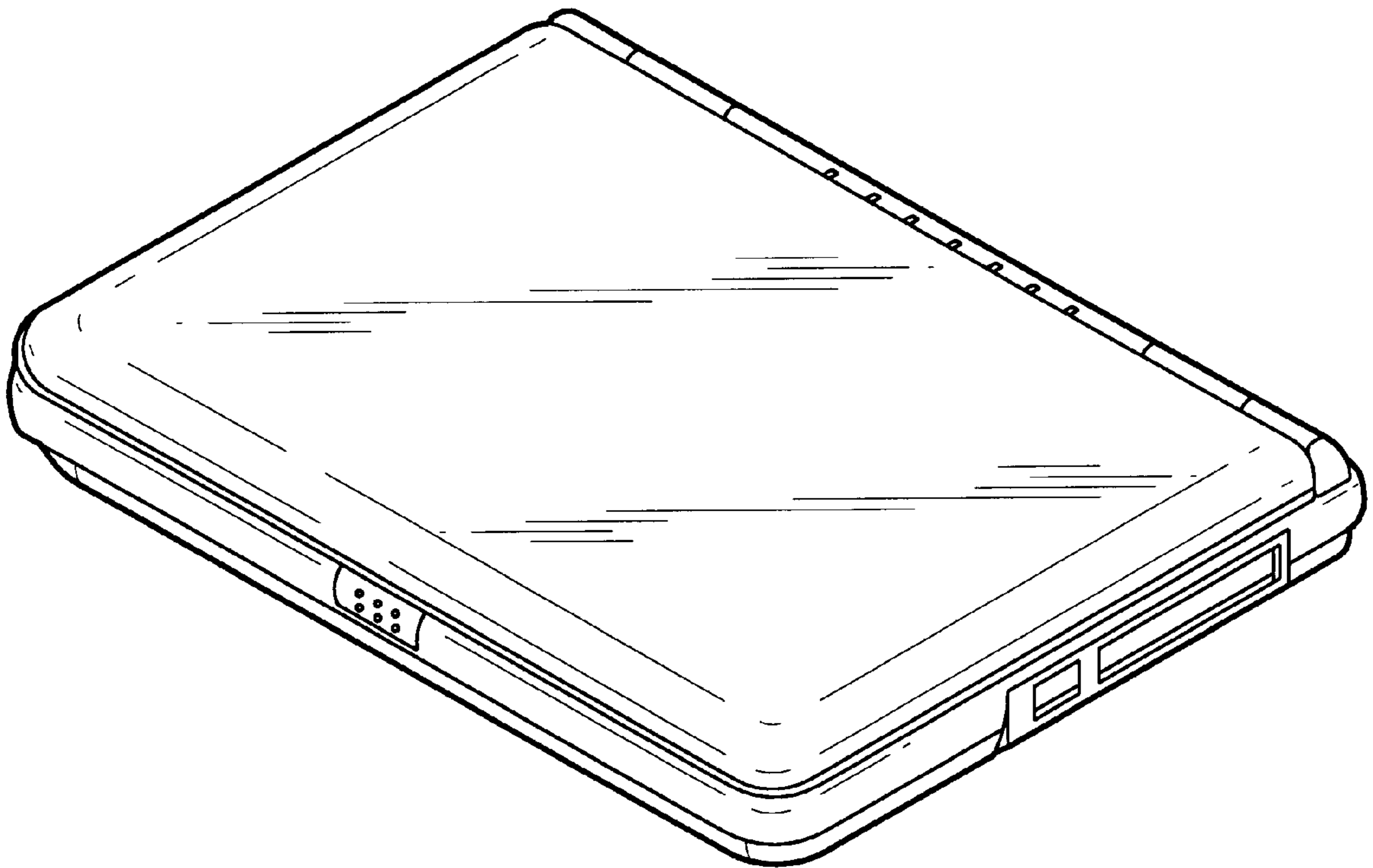
*FIG. 5*



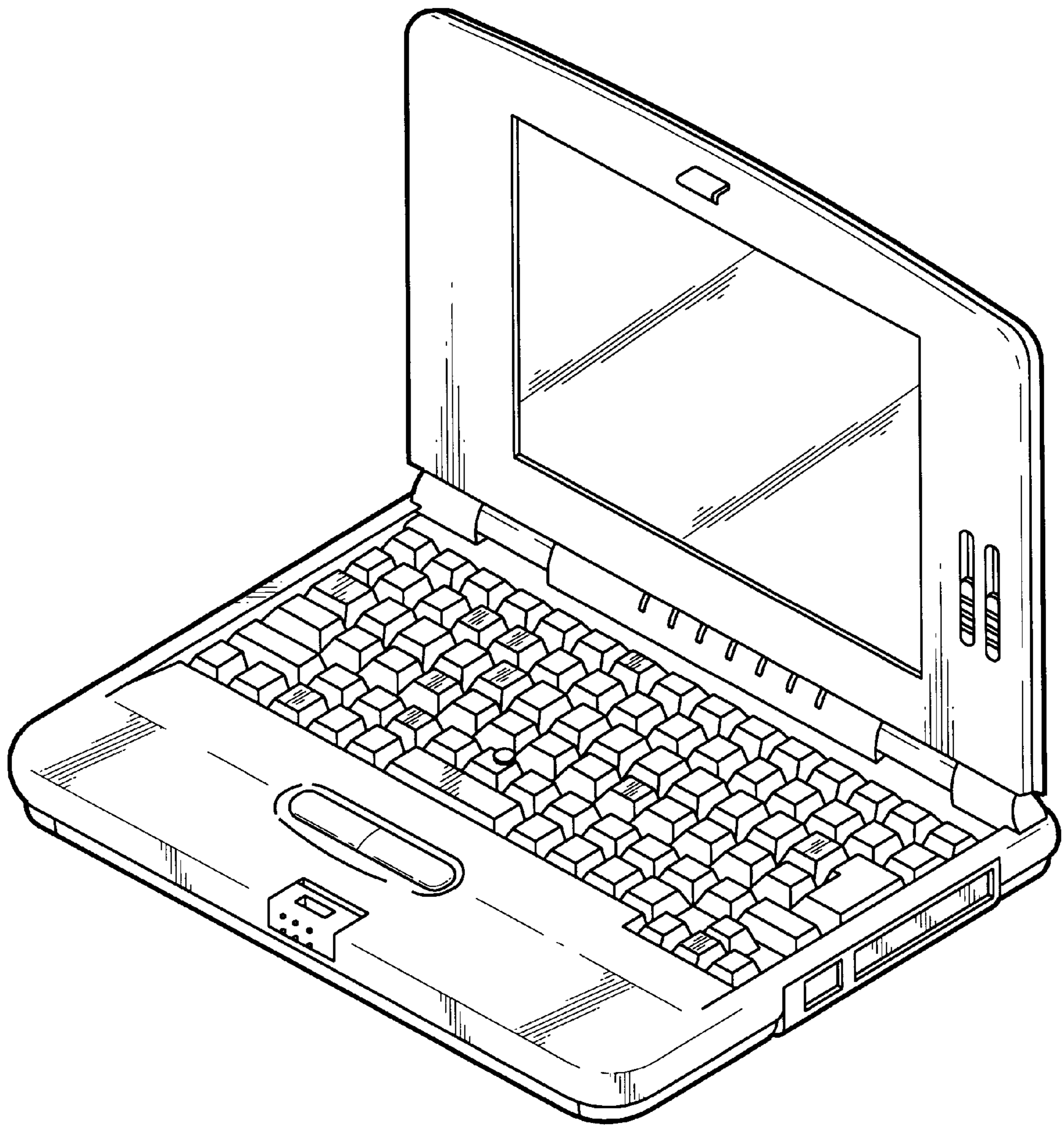
*FIG. 6*



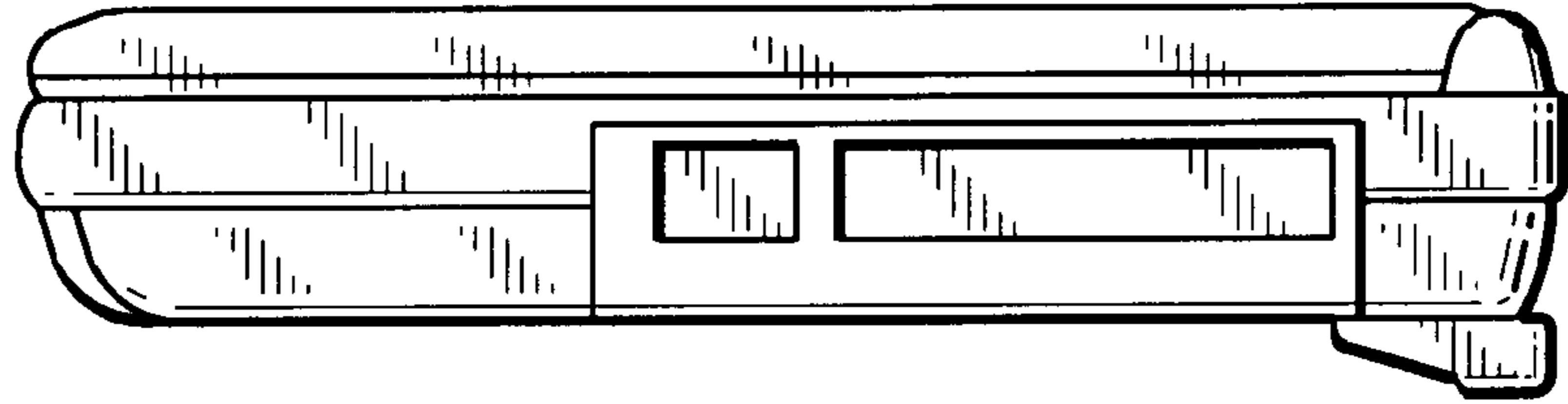
*FIG. 7*



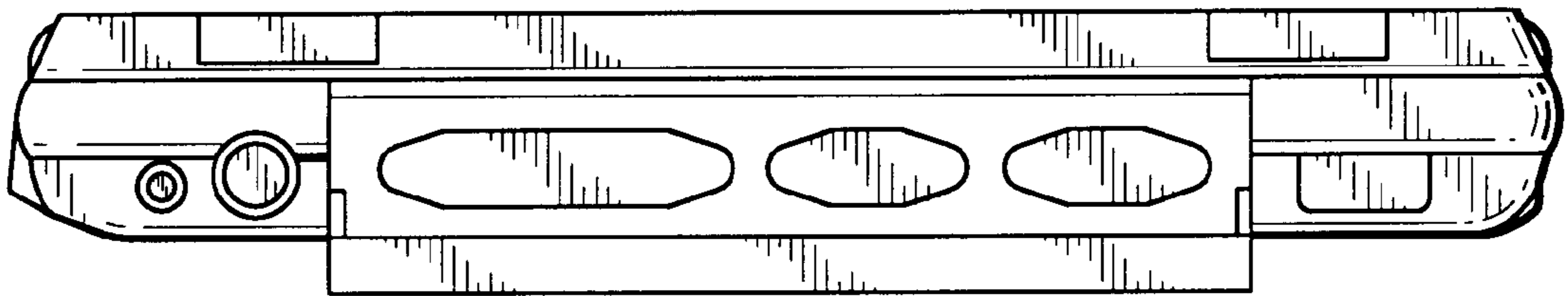
*FIG. 8*



*FIG. 9*



*FIG. 10*



*FIG. 11*