



US00D415123S

United States Patent [19] Murphy

[11] **Patent Number: Des. 415,123**

[45] **Date of Patent: ** Oct. 12, 1999**

[54] **ENCLOSURE FOR A NETWORK COMPUTER**
[75] Inventor: **Tim Kerry Murphy**, Rochester, Minn.
[73] Assignee: **International Business Machines Corporation**, Armonk, N.Y.
[**] Term: **14 Years**

D. 351,147 10/1994 Hill D14/100
D. 360,405 7/1995 Hill et al. D14/100
D. 360,406 7/1995 Hill et al. D14/100
D. 389,088 1/1998 Murphy D14/100
D. 390,201 2/1998 Murphy D14/100

Primary Examiner—Freda Nunn
Attorney, Agent, or Firm—Matthew J. Bussan

[21] Appl. No.: **29/085,885**
[22] Filed: **Apr. 1, 1998**

[57] **CLAIM**
The ornamental design for an enclosure for a network computer, as shown and described.

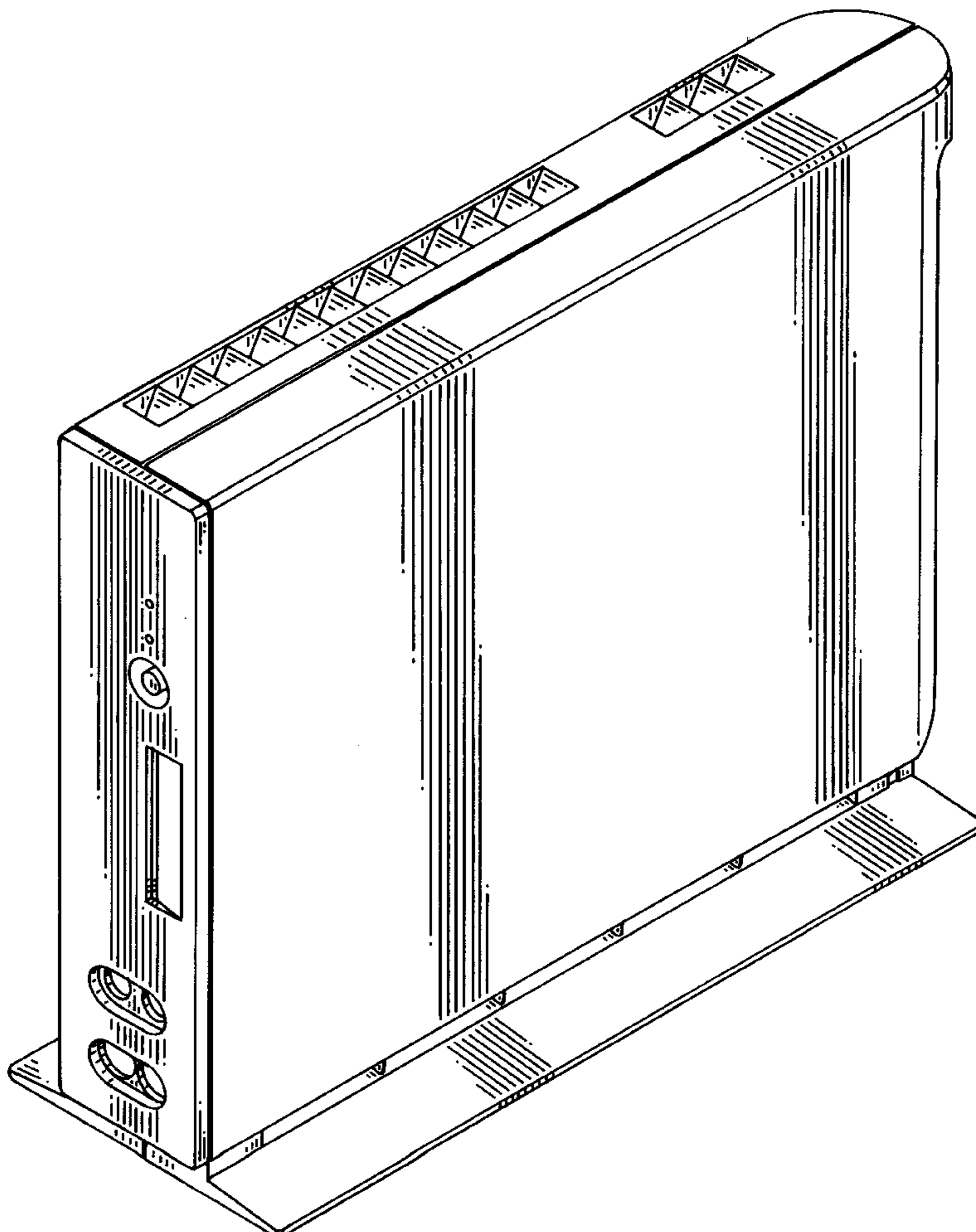
[51] **LOC (6) Cl.** **14-02**
[52] **U.S. Cl.** **D14/102; D14/100; D14/109**
[58] **Field of Search** D14/100, 102,
D14/107-109; D13/162, 184, 199; D6/432,
436, 445, 448; 312/208.1, 223.2, 254, 292;
360/99.01-99.12; 361/690-696

DESCRIPTION

FIG. 1 is a top, front, right side isometric view of an enclosure for a network computer, showing our new design; FIG. 2 is a top, back, left side isometric view thereof; FIG. 3 is a front elevational view thereof; FIG. 4 is a top plan view thereof; FIG. 5 is a right side elevational view thereof; FIG. 6 is a left side elevational view thereof, and, FIG. 7 is a rear elevational view thereof.
The bottom of the enclosure for a network computer is unornamented.

[56] **References Cited**
U.S. PATENT DOCUMENTS
D. 335,489 5/1993 Sander D14/100
D. 340,031 10/1993 Hill D13/162
D. 348,257 6/1994 Wingate D14/114

1 Claim, 7 Drawing Sheets



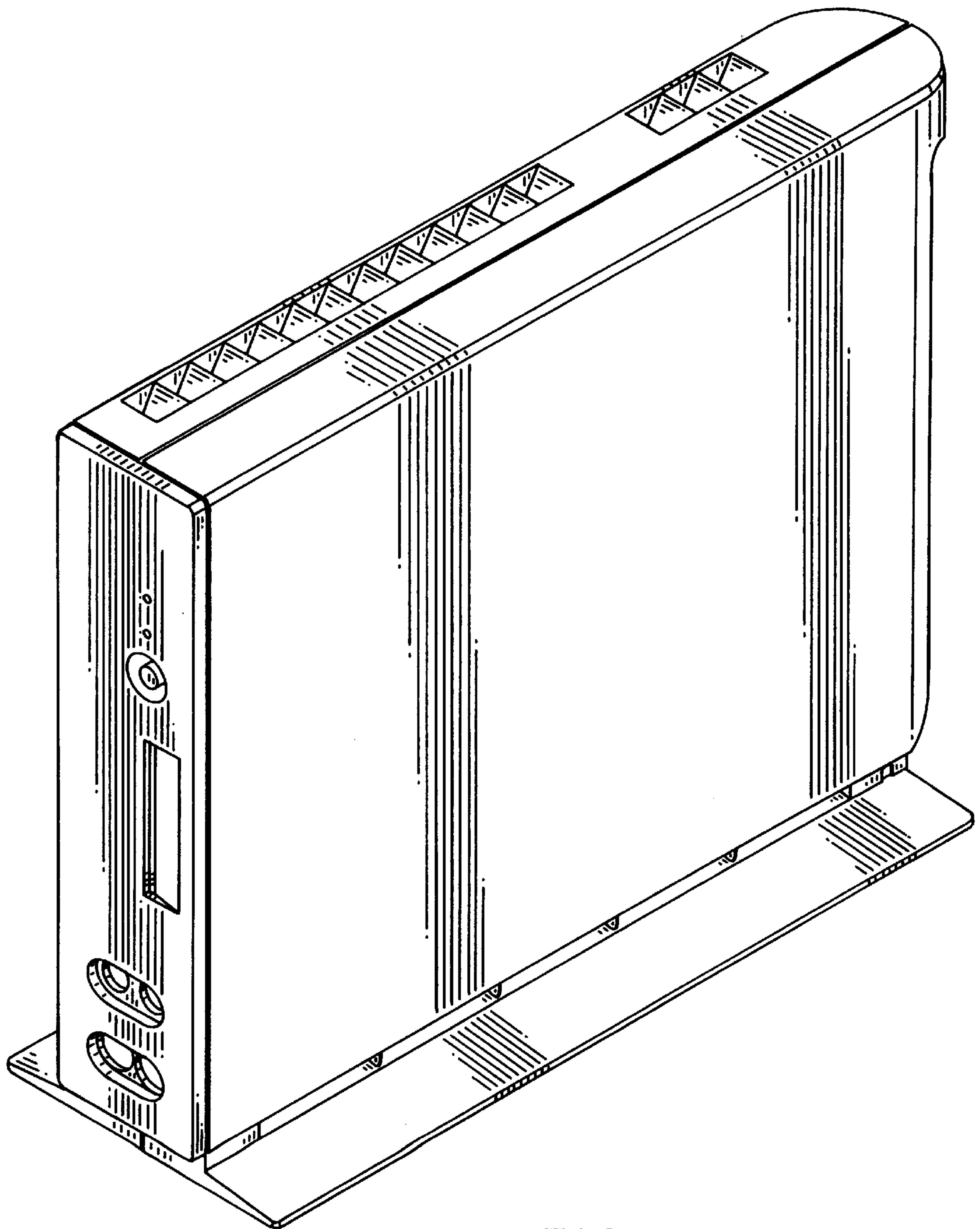


FIG. 1

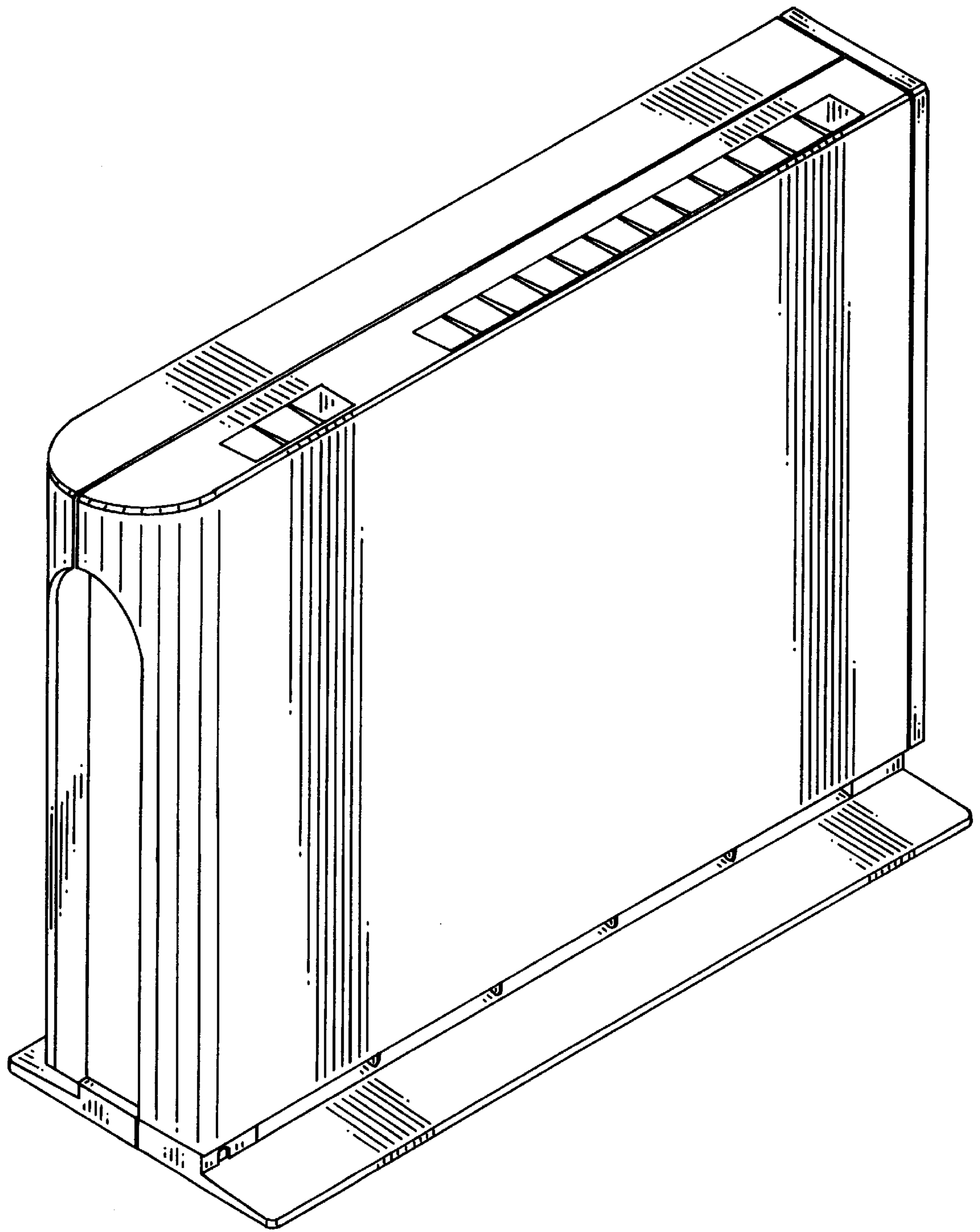


FIG. 2

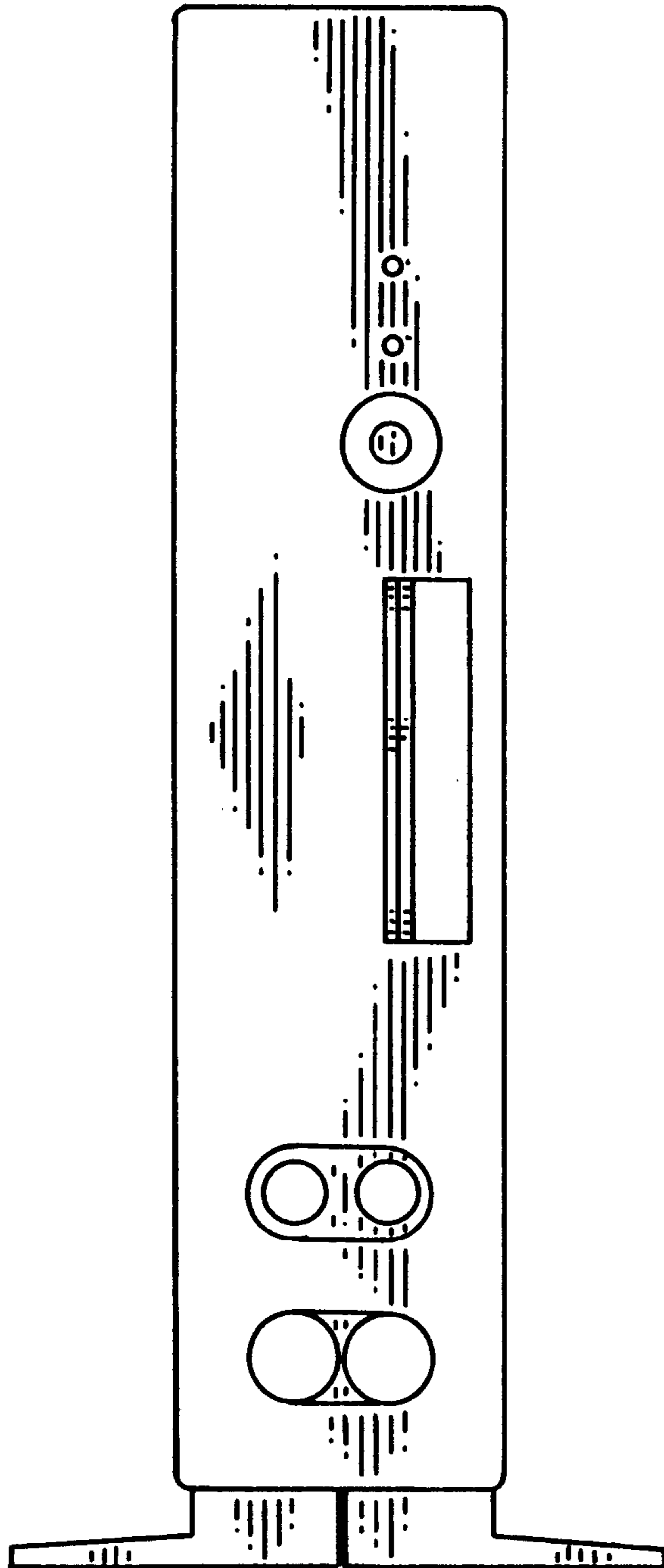


FIG. 3

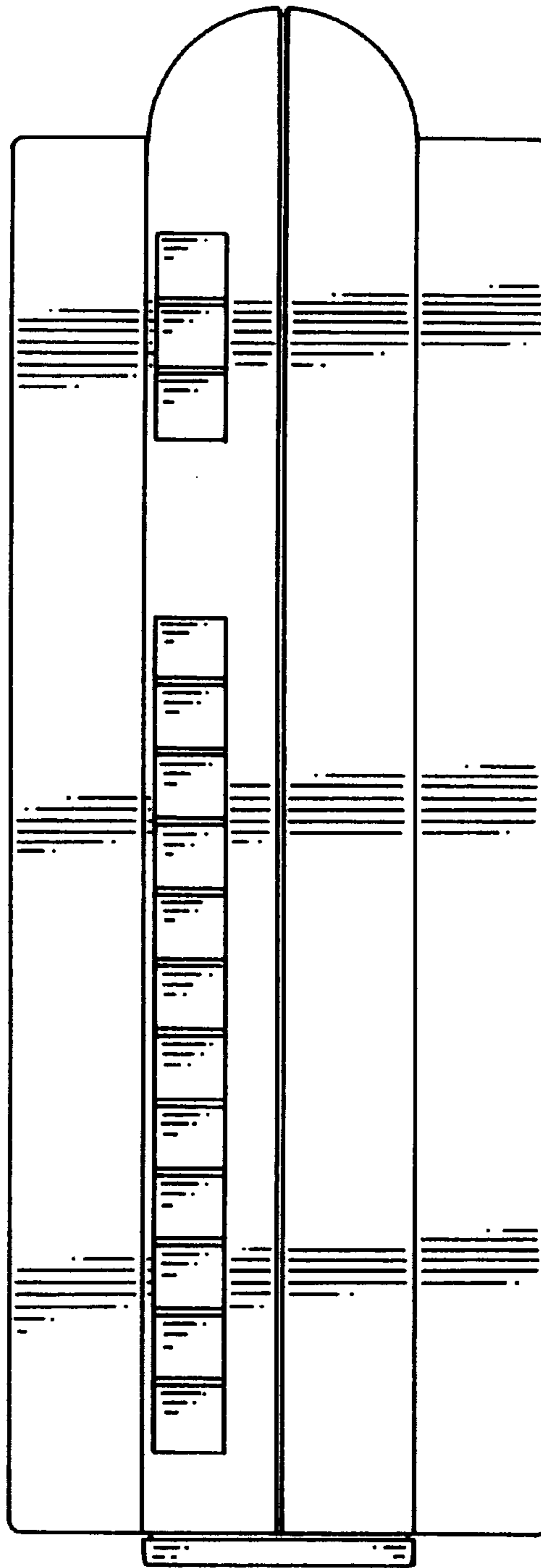


FIG. 4

FIG. 5

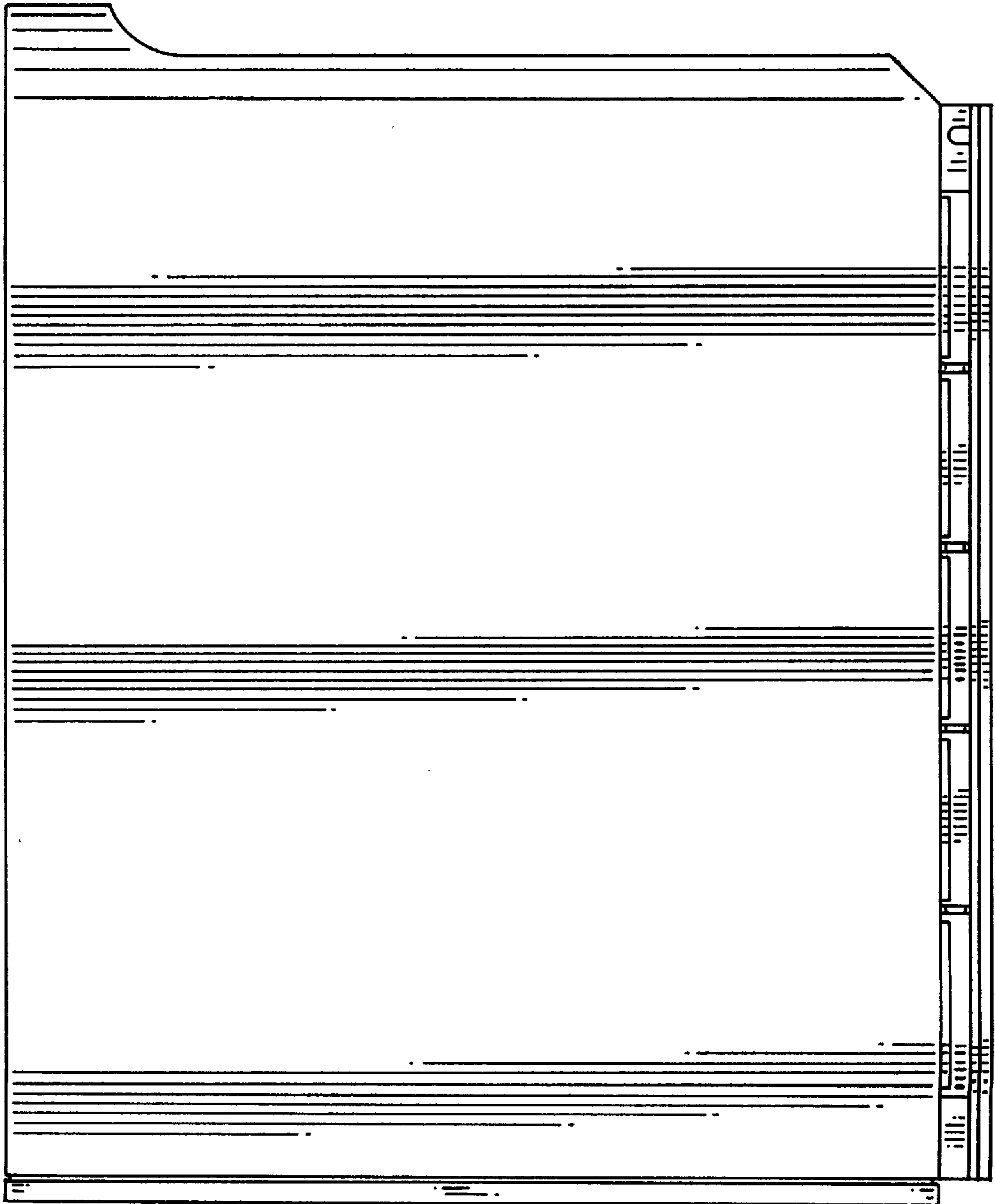
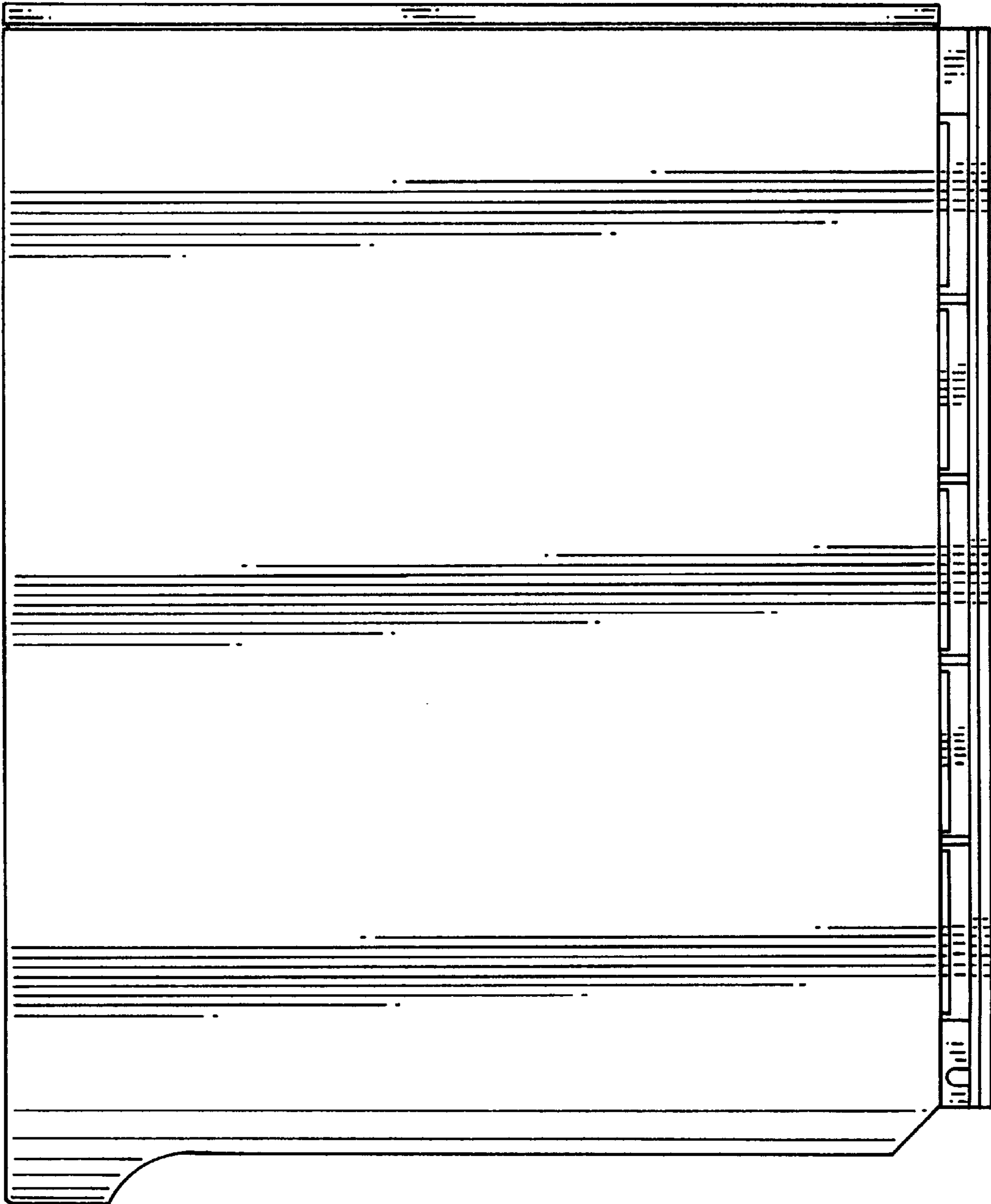


FIG. 6



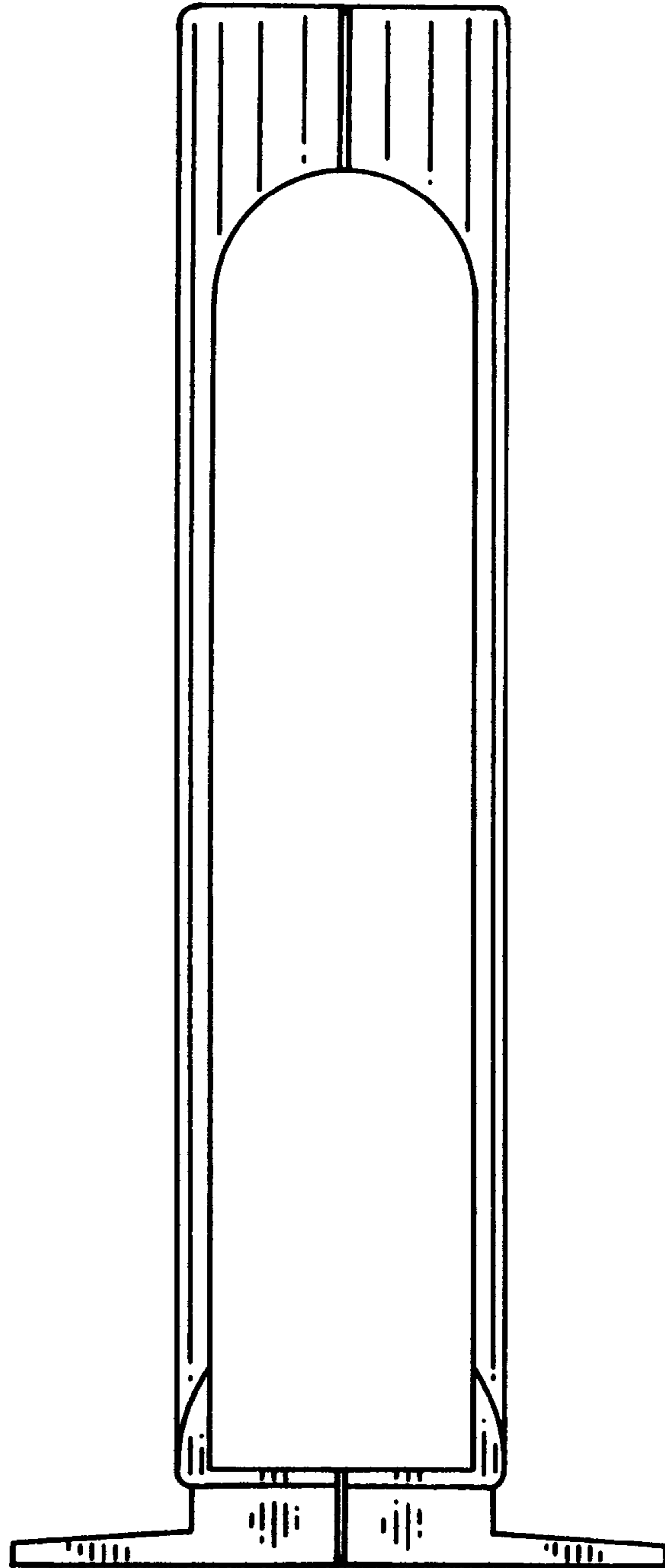


FIG. 7