



US00D415120S

United States Patent [19]

Daly et al.

[11] Patent Number: Des. 415,120

[45] Date of Patent: ** Oct. 12, 1999

[54] **COMPUTER CHASSIS COVER**

D. 357,903 5/1995 Lin D14/100
D. 373,117 8/1996 Barthelemy et al. D14/100

[75] Inventors: **John Joseph Daly**, Irvine; **Robert Dennis Brunner**, Los Gatos; **Barbara Saucedo**, Palo Alto, all of Calif.

Primary Examiner—Freda Nunn
Attorney, Agent, or Firm—Pillsbury Madison & Sutro LLP

[73] Assignee: **Toshiba America Information Systems, Inc.**, Irvine, Calif.

[57] **CLAIM**

[**] Term: **14 Years**

The ornamental design for a computer chassis cover, as shown and described.

[21] Appl. No.: **29/084,980**

[22] Filed: **Mar. 13, 1998**

DESCRIPTION

Related U.S. Application Data

[63] Continuation-in-part of application No. 29/084,195, Feb. 26, 1998.

FIG. 1 is a top front and side perspective view of a computer chassis cover showing our new design; FIG. 2 is a top rear and opposite side view thereof; FIG. 3 is a top side view thereof; FIG. 4 is a front view thereof; FIG. 5 is a first lateral side view thereof; FIG. 6 is a bottom view thereof; FIG. 7 is a rear view thereof; FIG. 8 is second lateral side view thereof opposite the first lateral side view; FIG. 9 is a top and rear side perspective view of a second embodiment thereof; FIG. 10 is a bottom view of the second embodiment; and, FIG. 11 is a rear view of the second embodiment.

[51] **LOC (6) Cl.** **14-02**

[52] **U.S. Cl.** **D14/100; D14/109**

[58] **Field of Search** D14/100, 101, D14/106, 113, 115; D18/1, 2, 7; 235/145 A, 145 R; 341/22, 23; 345/104, 156, 168, 173; 361/680-686; 364/708.1; 400/486, 489

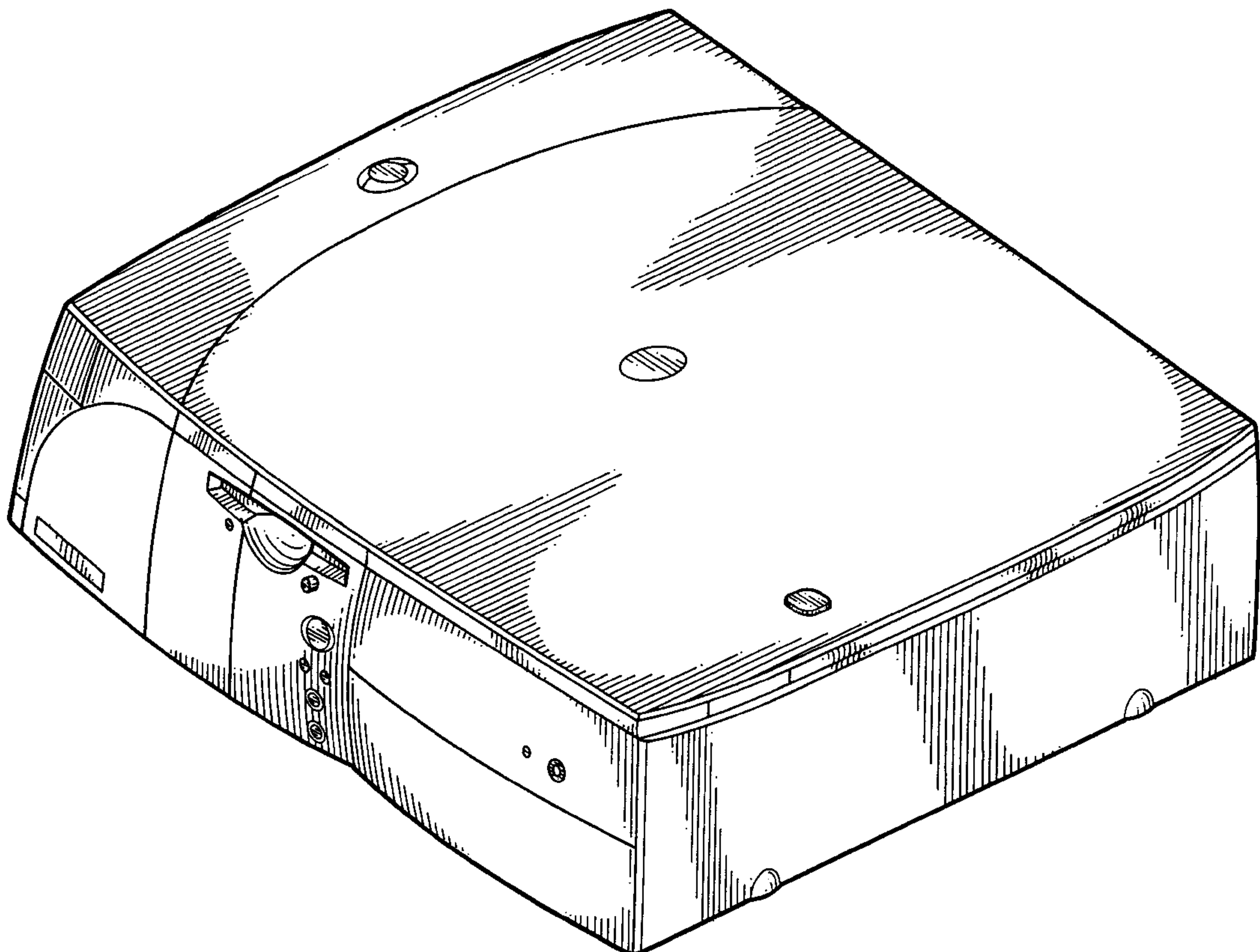
The undisclosed views of the second embodiment are identical to those of the first embodiment and the broken lines are shown in the views for illustrative purposes only and form no part of the claimed design.

[56] **References Cited**

U.S. PATENT DOCUMENTS

D. 347,212 5/1994 Riley D14/100
D. 347,826 6/1994 Noble D14/100

1 Claim, 9 Drawing Sheets



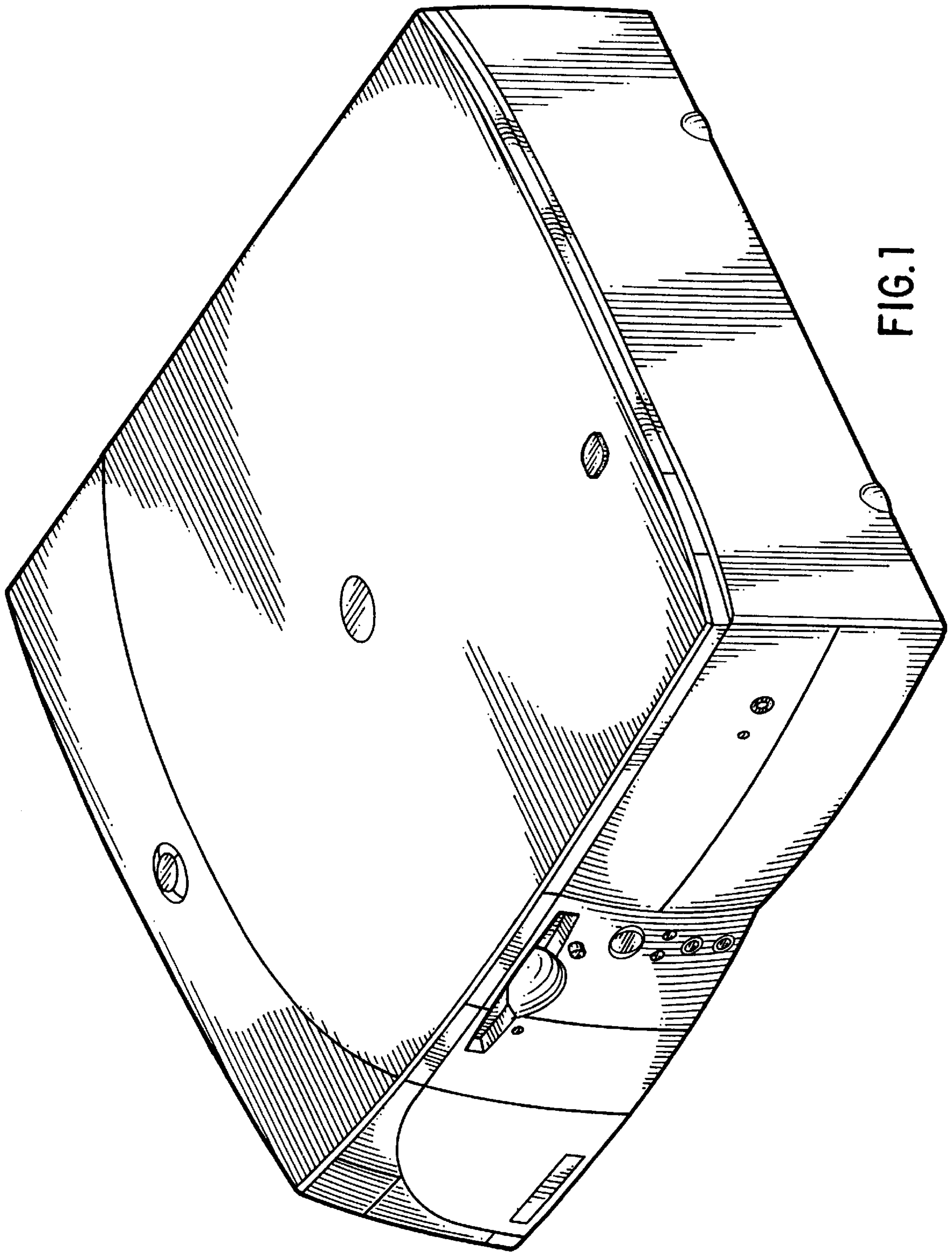


FIG. 1

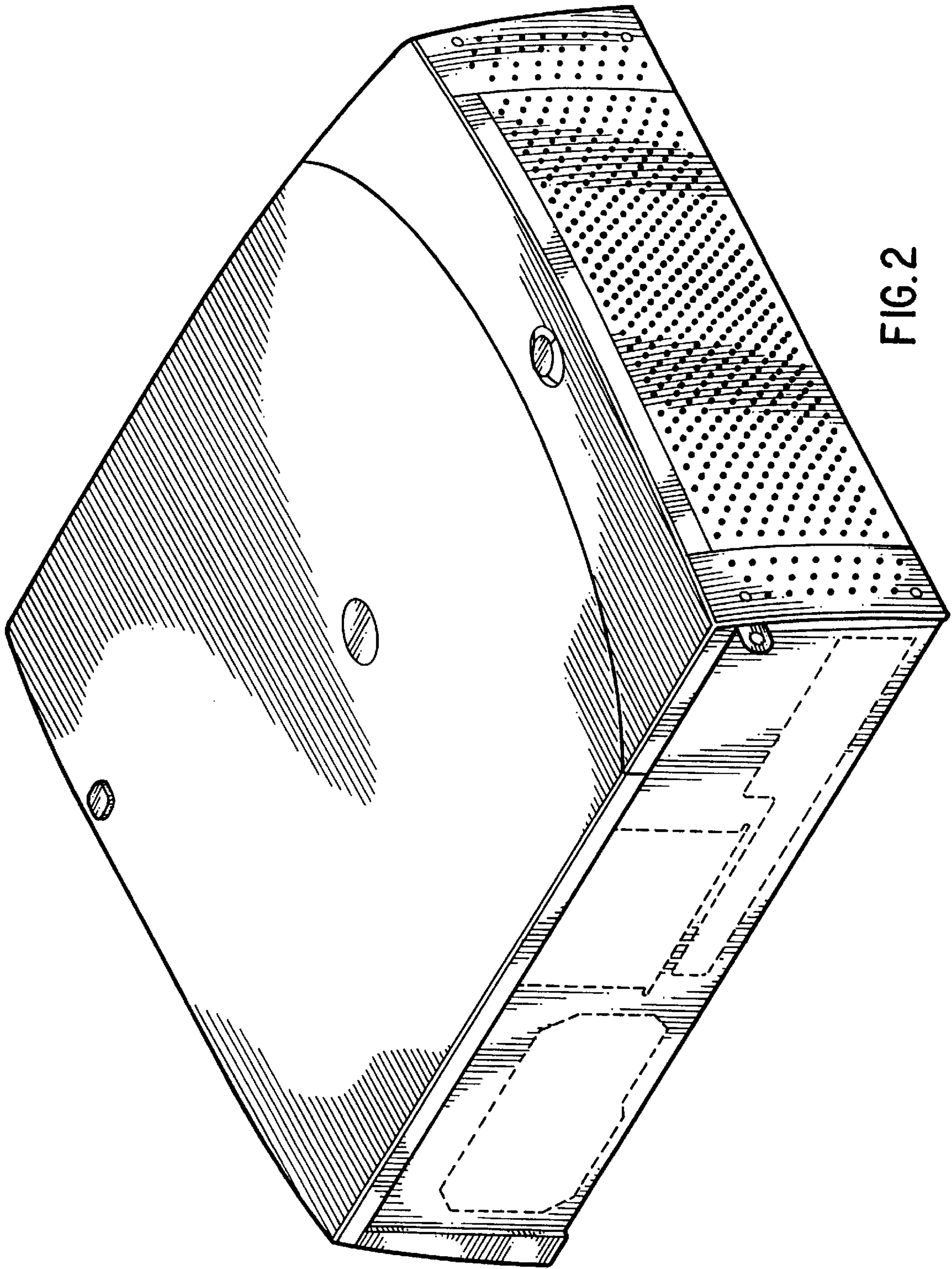


FIG.2

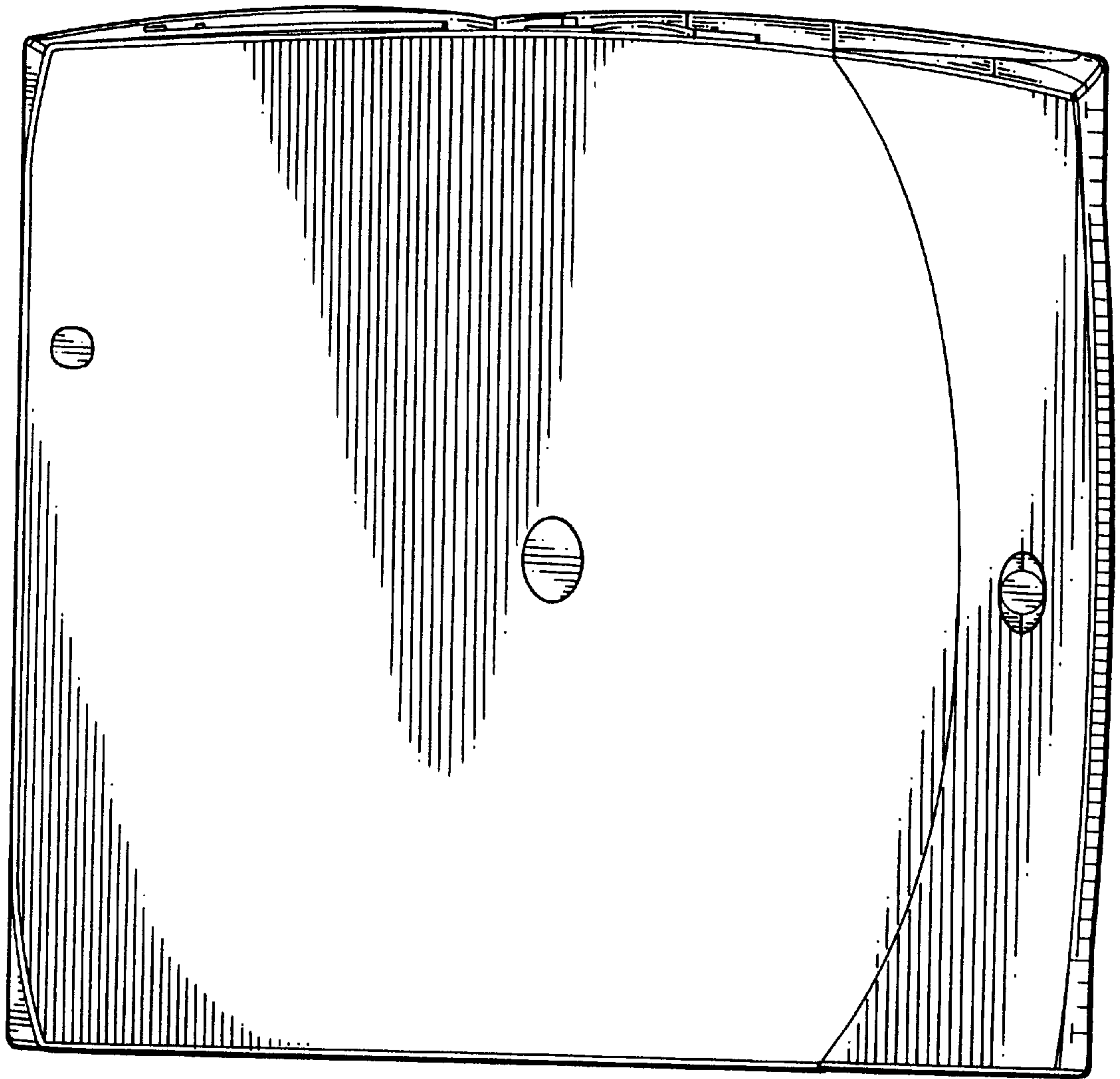


FIG. 3

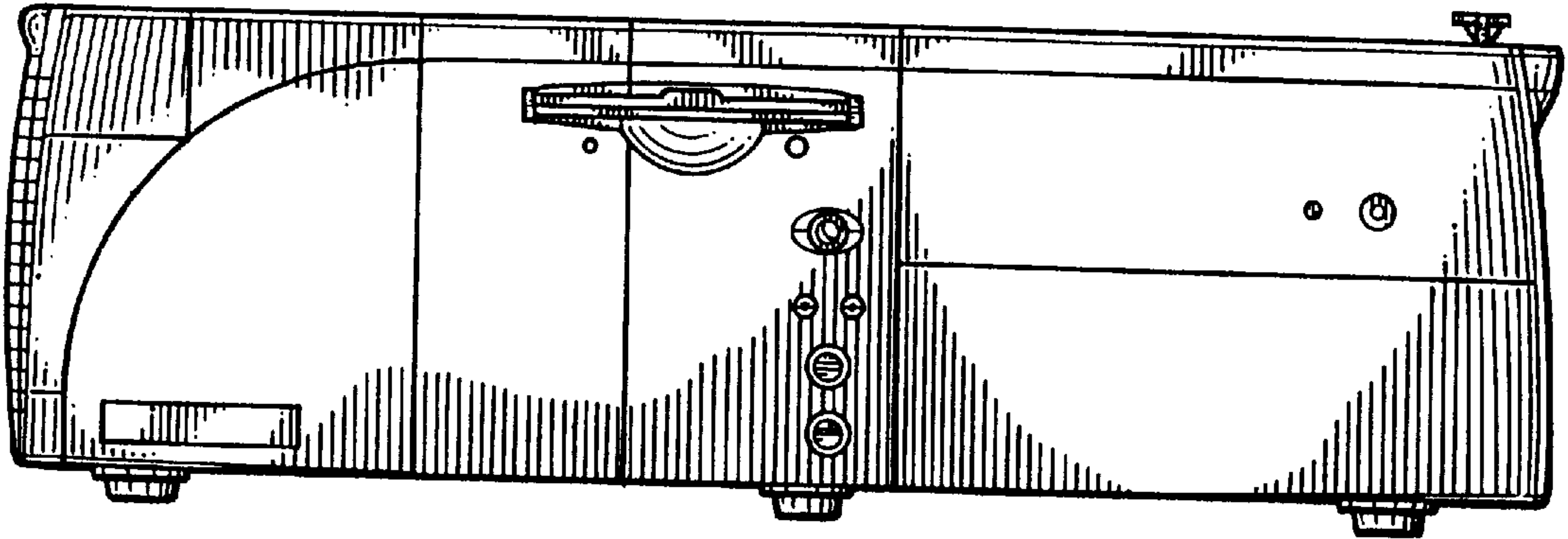


FIG. 4

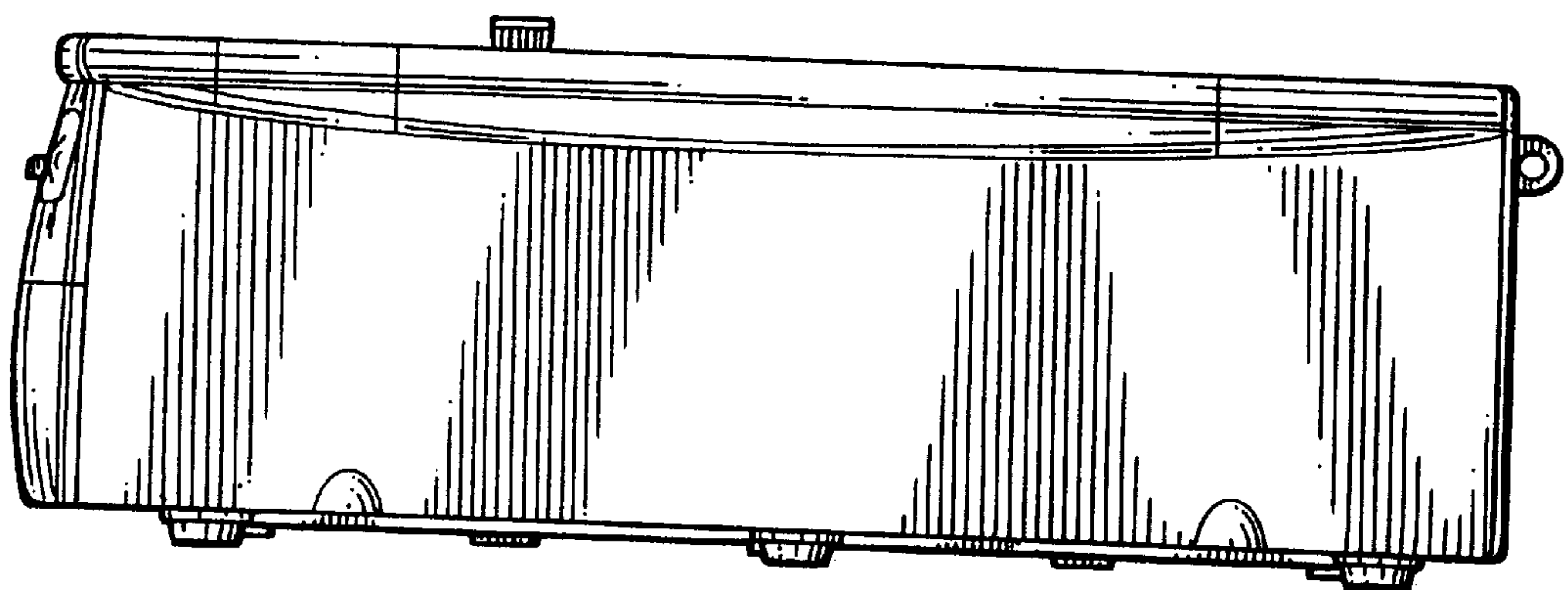


FIG. 5

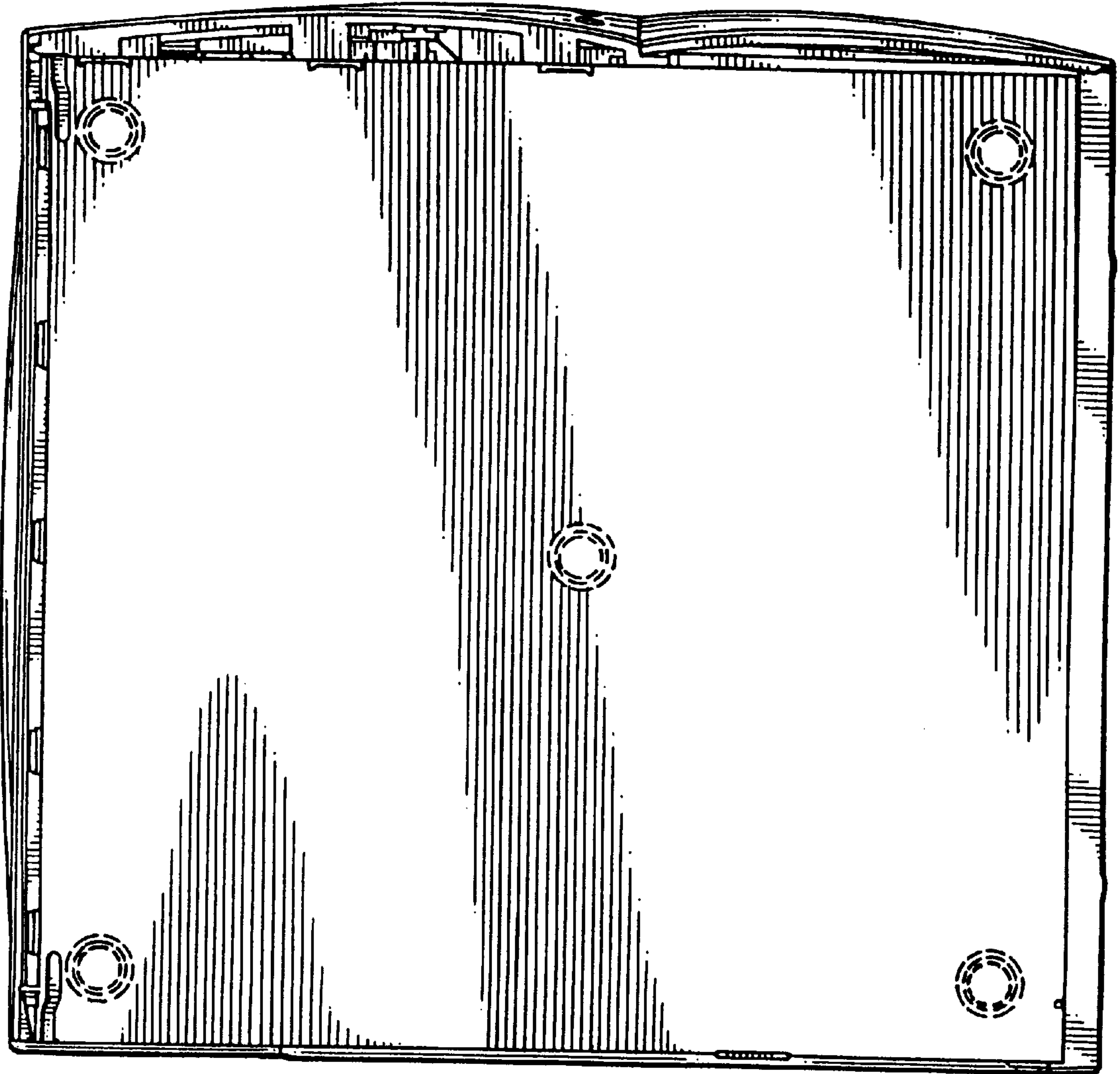


FIG. 6

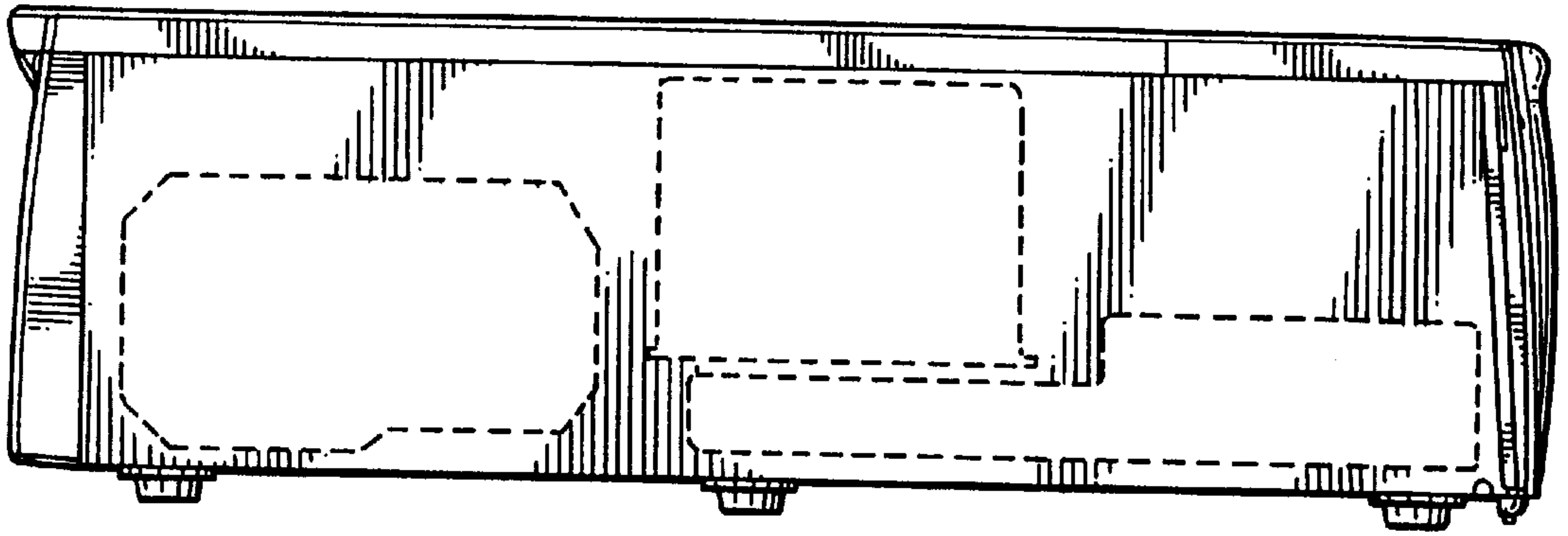


FIG. 7

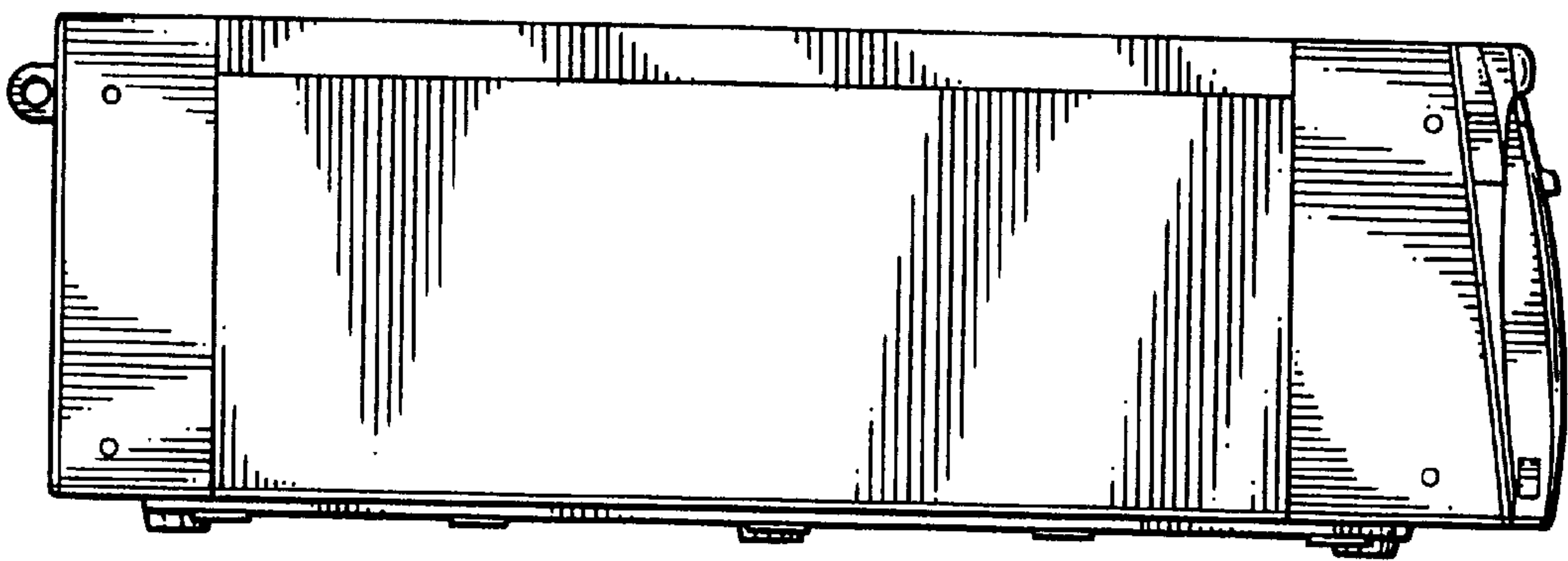


FIG. 8

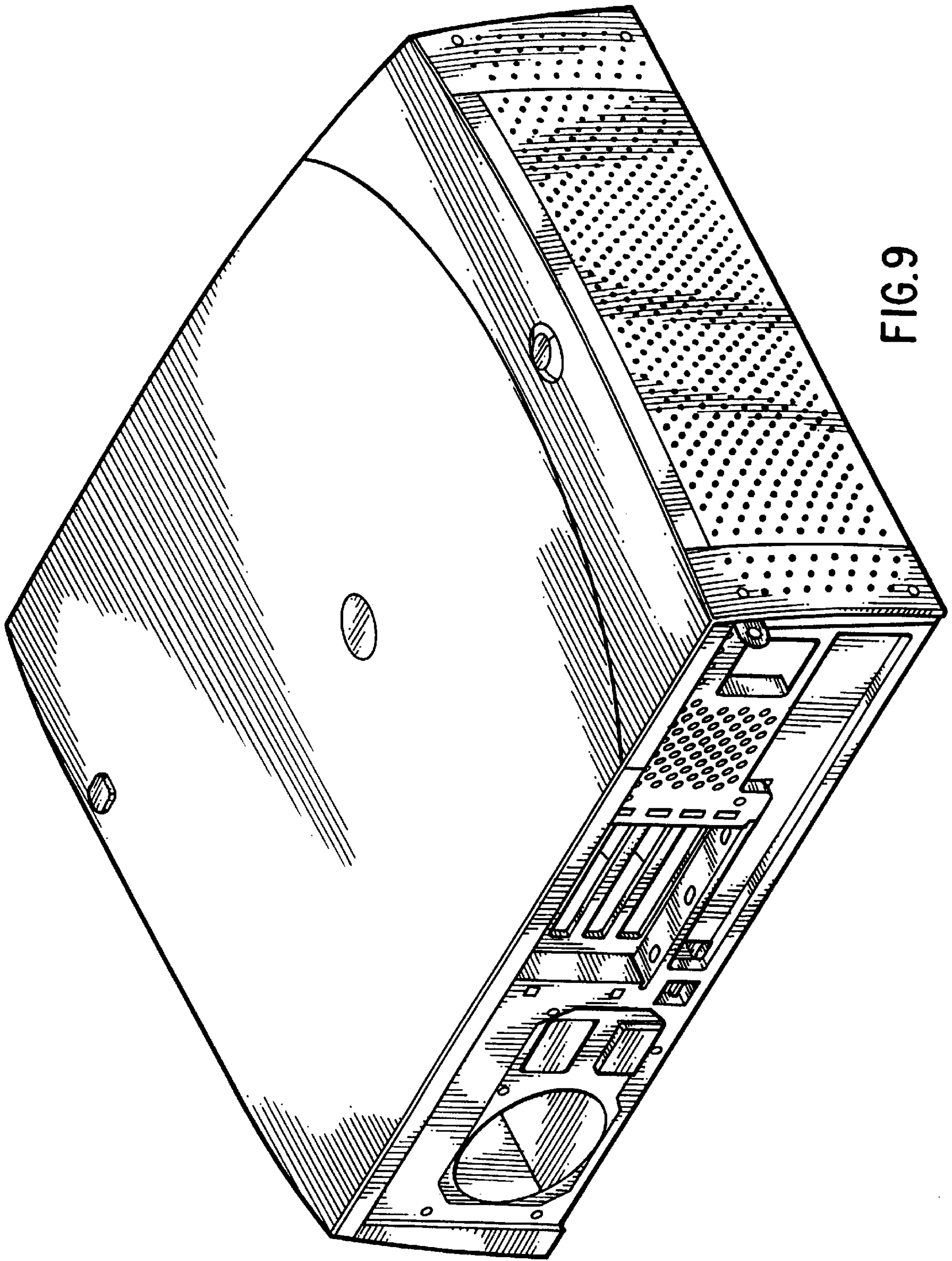


FIG. 9

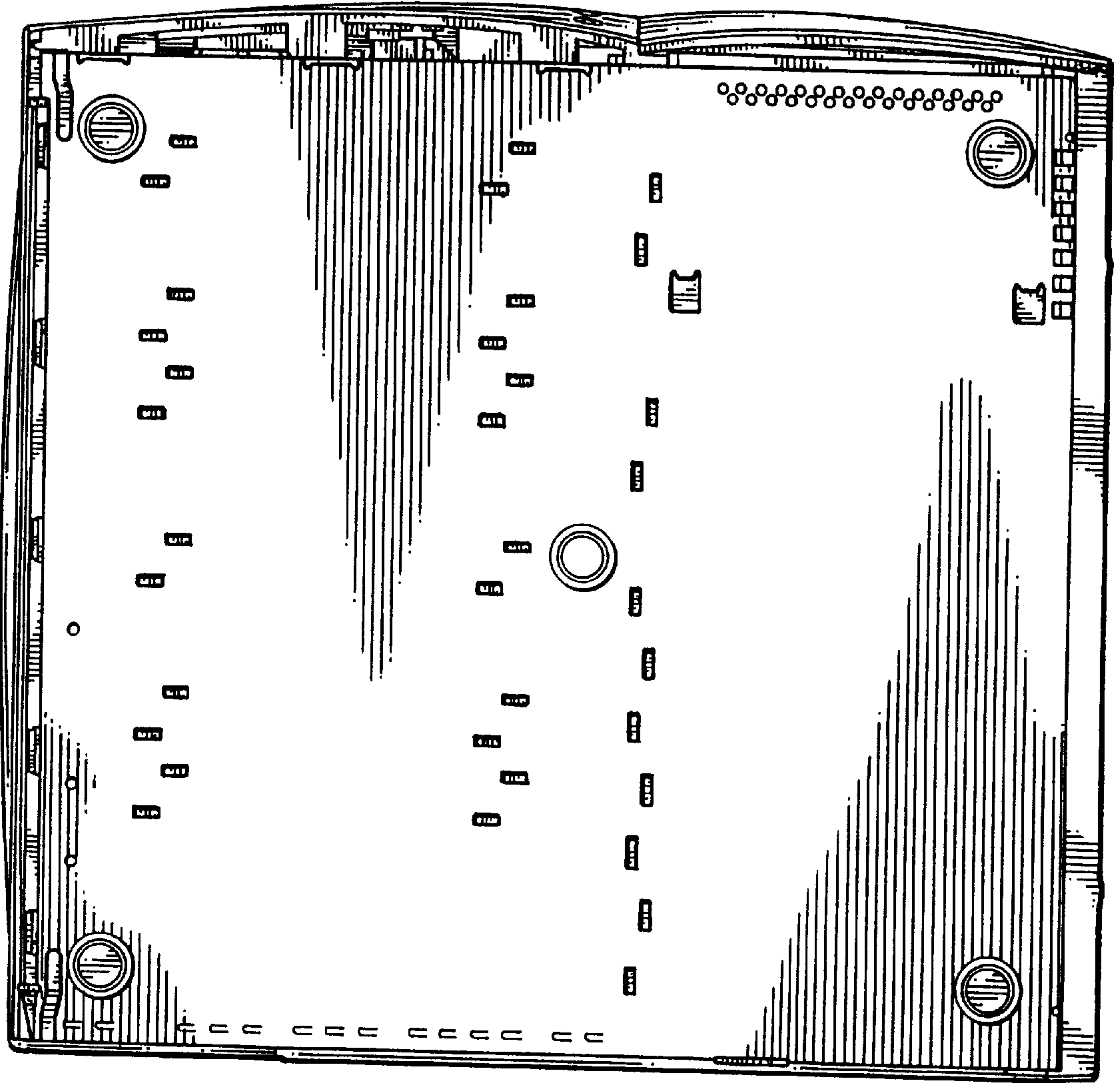


FIG.10

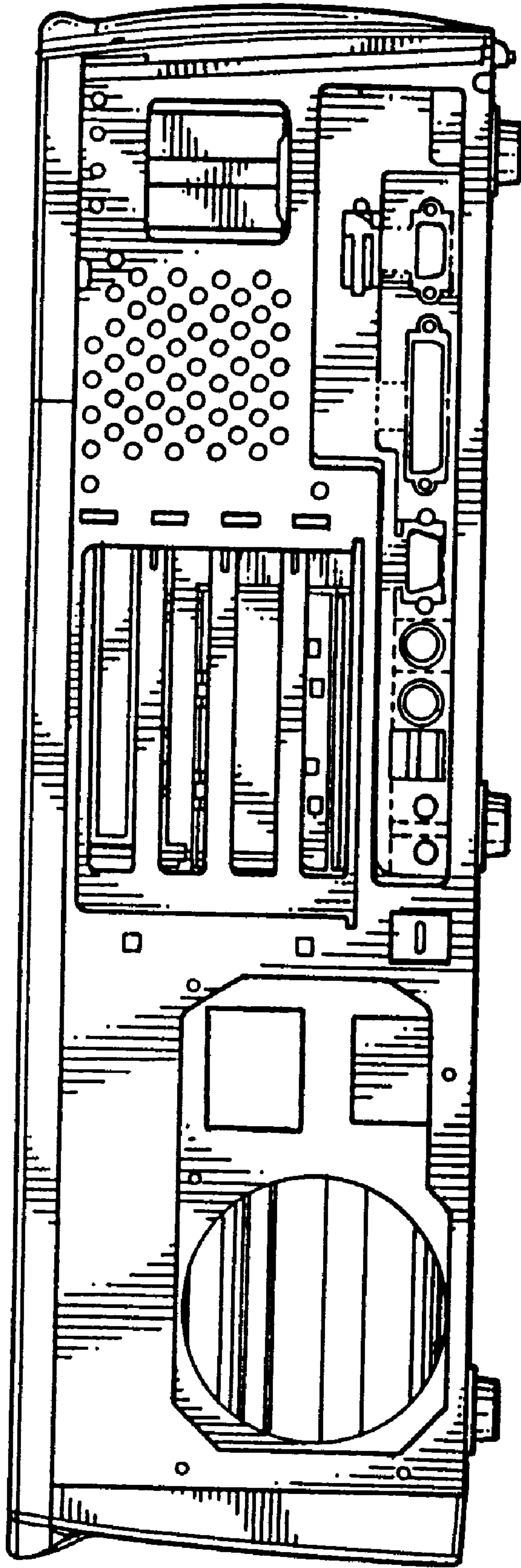


FIG. 11