



US00D415118S

United States Patent [19]

Stanush et al.

[11] Patent Number: **Des. 415,118**

[45] Date of Patent: **** Oct. 12, 1999**

[54] **CABLE ENCLOSURE**

[75] Inventors: **Andrew G. Stanush**, Blue Mound;
Michael K. James, Fort Worth, both of
Tex.

[73] Assignee: **Siecor Operations, LLC**, Hickory, N.C.

[**] Term: **14 Years**

[21] Appl. No.: **29/097,348**

[22] Filed: **Dec. 4, 1998**

[51] **LOC (6) Cl.** **13-03**

[52] **U.S. Cl.** **D13/184**

[58] **Field of Search** D13/184; 174/48,
174/50; D14/240; 379/399, 440

[56] **References Cited**

U.S. PATENT DOCUMENTS

D. 195,338	6/1963	Geisen	D13/184
D. 225,644	12/1972	Beach	D13/184
D. 282,654	2/1986	Perry et al.	D13/41
D. 287,583	1/1987	Smith et al.	D14/52
D. 295,400	4/1988	Wung	D13/184 X
D. 297,136	8/1988	Collins et al.	D13/40
D. 300,923	5/1989	Collins et al.	D13/31
D. 304,339	10/1989	Collins et al.	D14/240
D. 312,244	11/1990	Collins et al.	D13/152
D. 312,460	11/1990	Smith	D13/184 X
D. 312,820	12/1990	Collins et al.	D14/240
D. 313,417	1/1991	Graham et al.	D14/240
D. 314,759	2/1991	Collins et al.	D13/184
D. 318,653	7/1991	Nieves et al.	D13/184

D. 324,207	2/1992	Nieves	D13/184
D. 337,313	7/1993	Davis	D13/184
D. 399,190	10/1998	Dale et al.	D13/184

Primary Examiner—Brian N. Vinson
Attorney, Agent, or Firm—Michael L. Leetzow

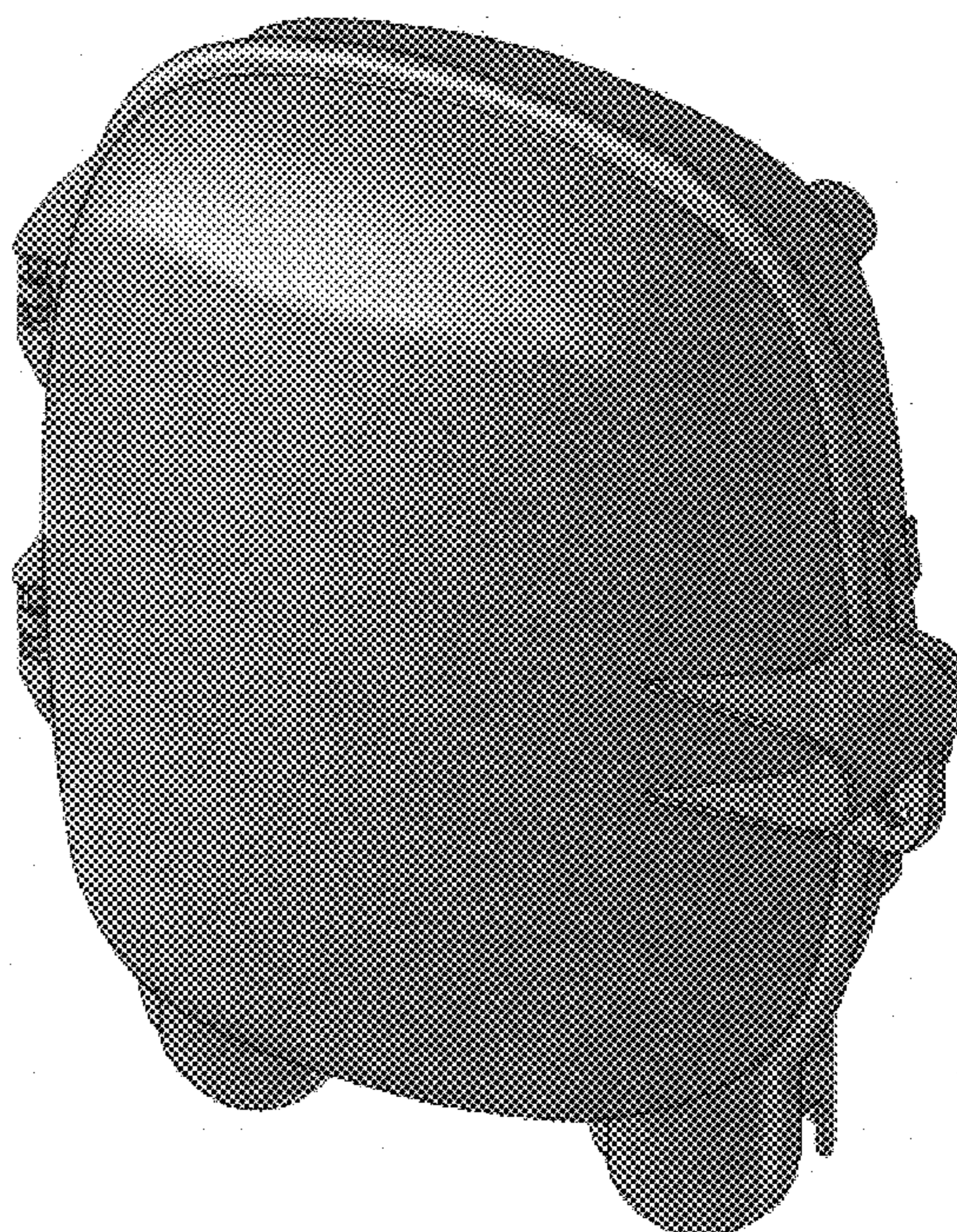
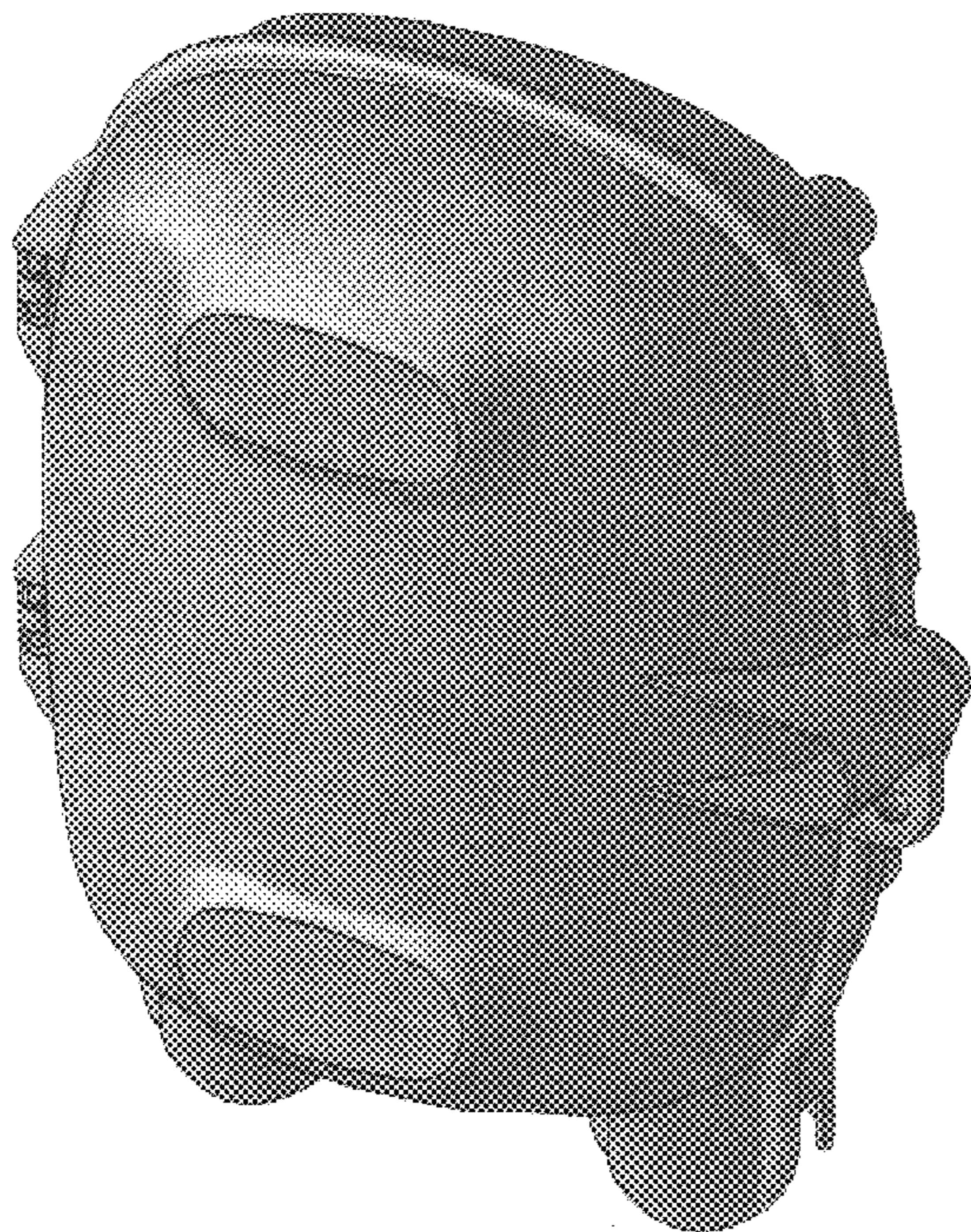
[57] **CLAIM**

The ornamental design for a cable enclosure, as shown and described.

DESCRIPTION

FIG. 1 is a perspective view of a cable enclosure showing our new design;
 FIG. 2 is a front elevational view thereof;
 FIG. 3 is a rear elevational view thereof;
 FIG. 4 is a top view thereof;
 FIG. 5 is a bottom side view thereof;
 FIG. 6 is a left view thereof;
 FIG. 7 is a right view thereof;
 FIG. 8 is a perspective view thereof with the door in an open position;
 FIG. 9 is a perspective view of a second embodiment of a cable enclosure showing our new design;
 FIG. 10 is a front elevational view thereof;
 FIG. 11 is a rear elevational view thereof;
 FIG. 12 is a top view thereof;
 FIG. 13 is a bottom side view thereof;
 FIG. 14 is a left view thereof;
 FIG. 15 is a right view thereof; and,
 FIG. 16 is a perspective view thereof with the door in an open position.

1 Claim, 12 Drawing Sheets



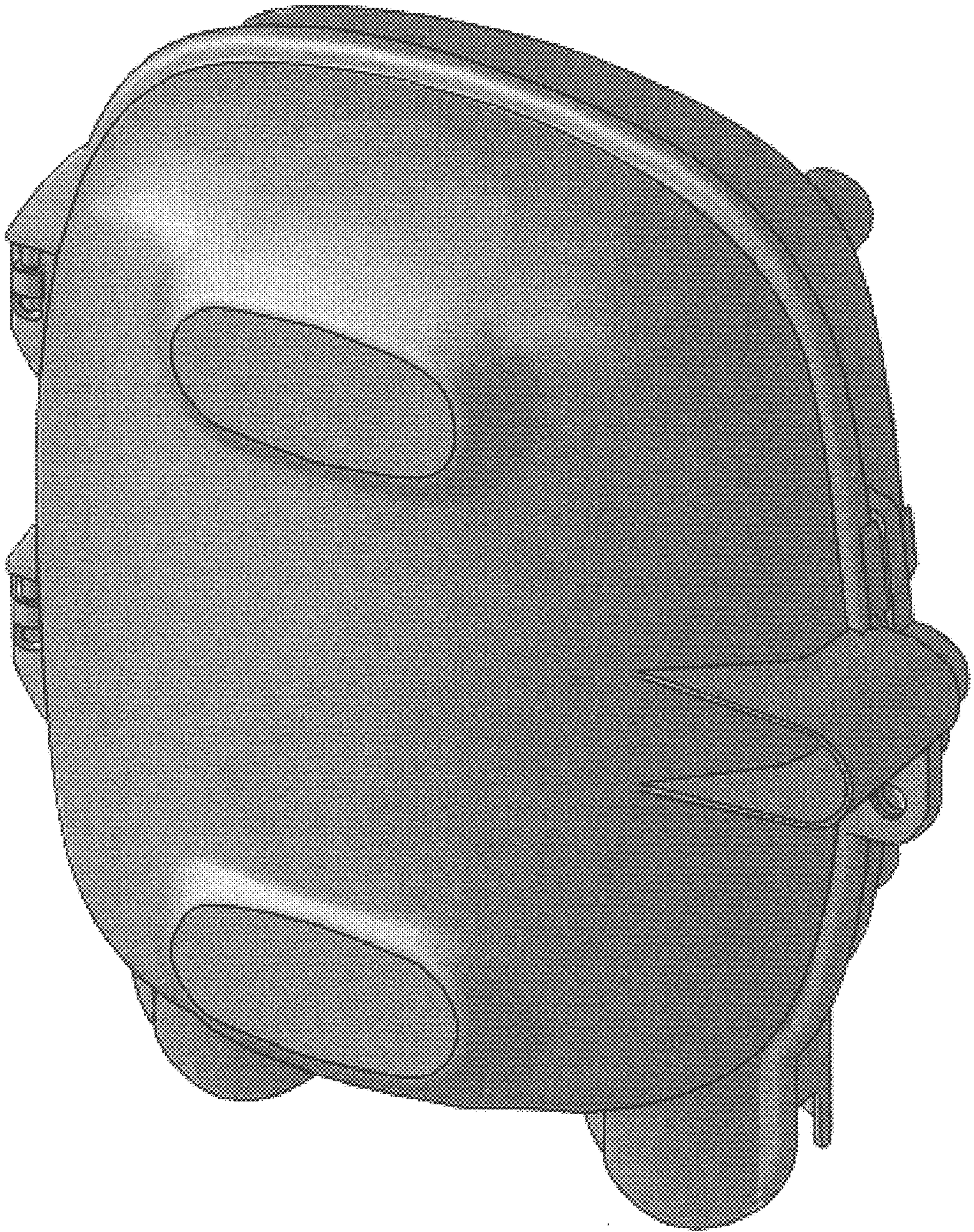


Fig. 1

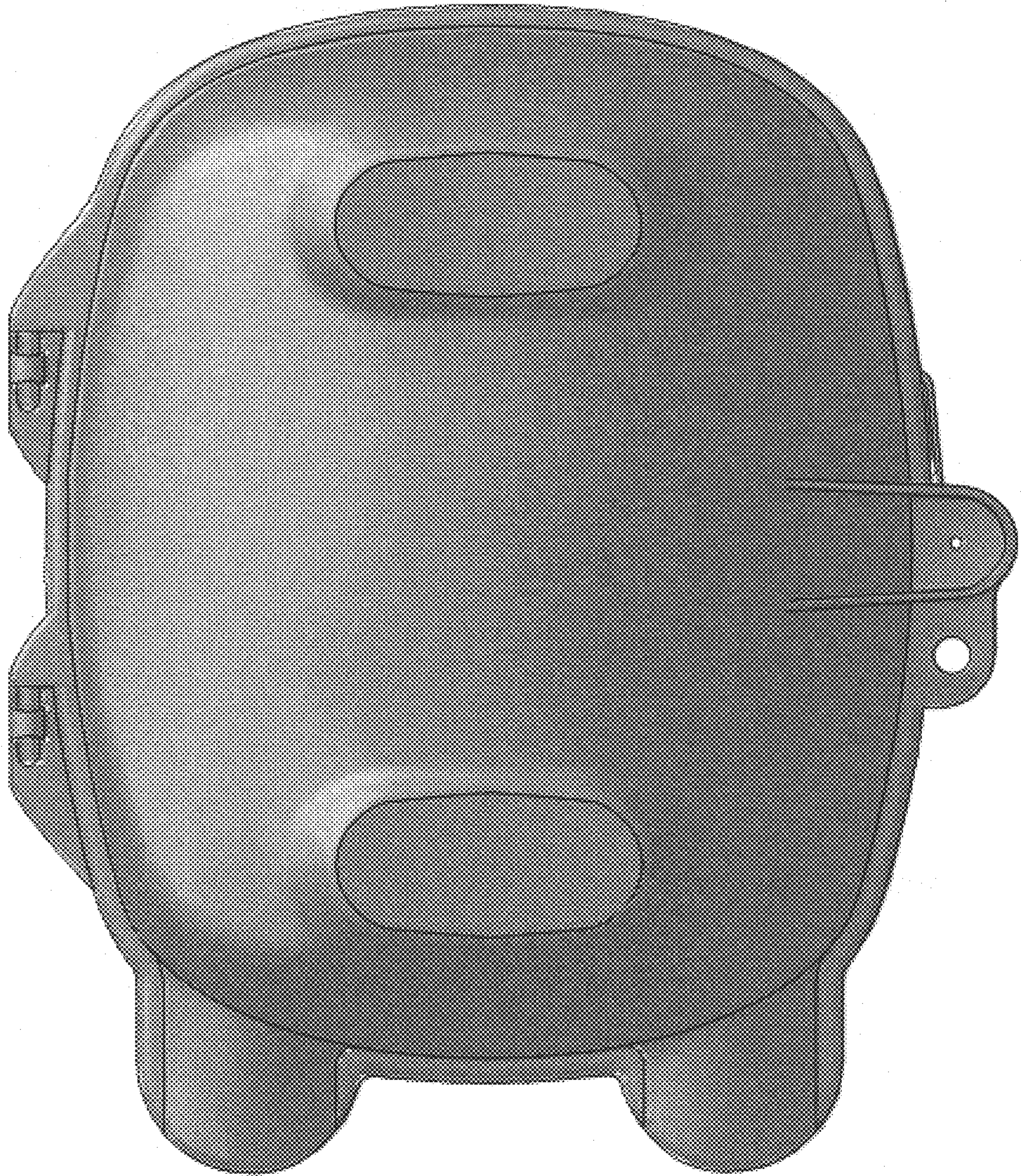


Fig. 2

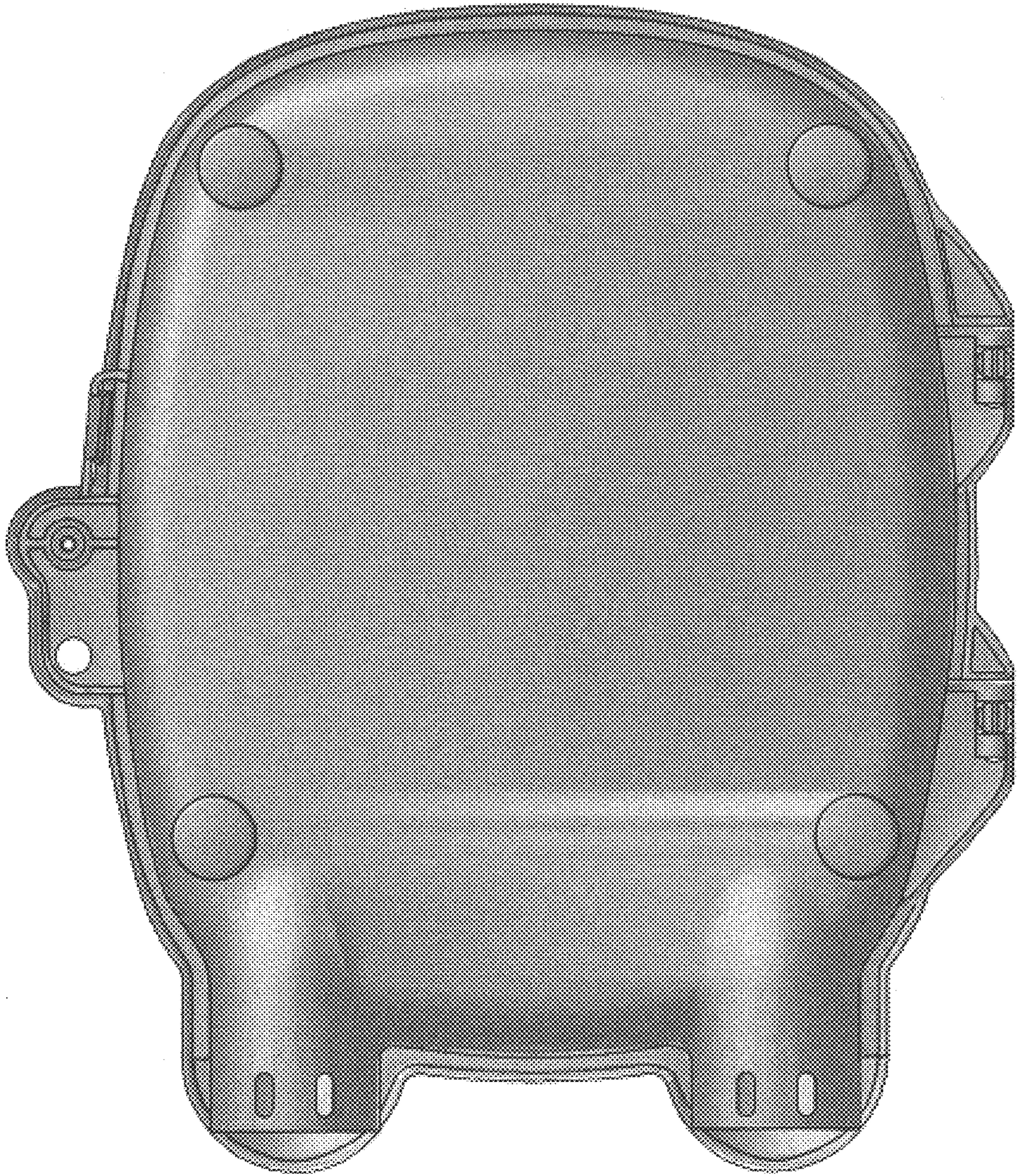


Fig. 3

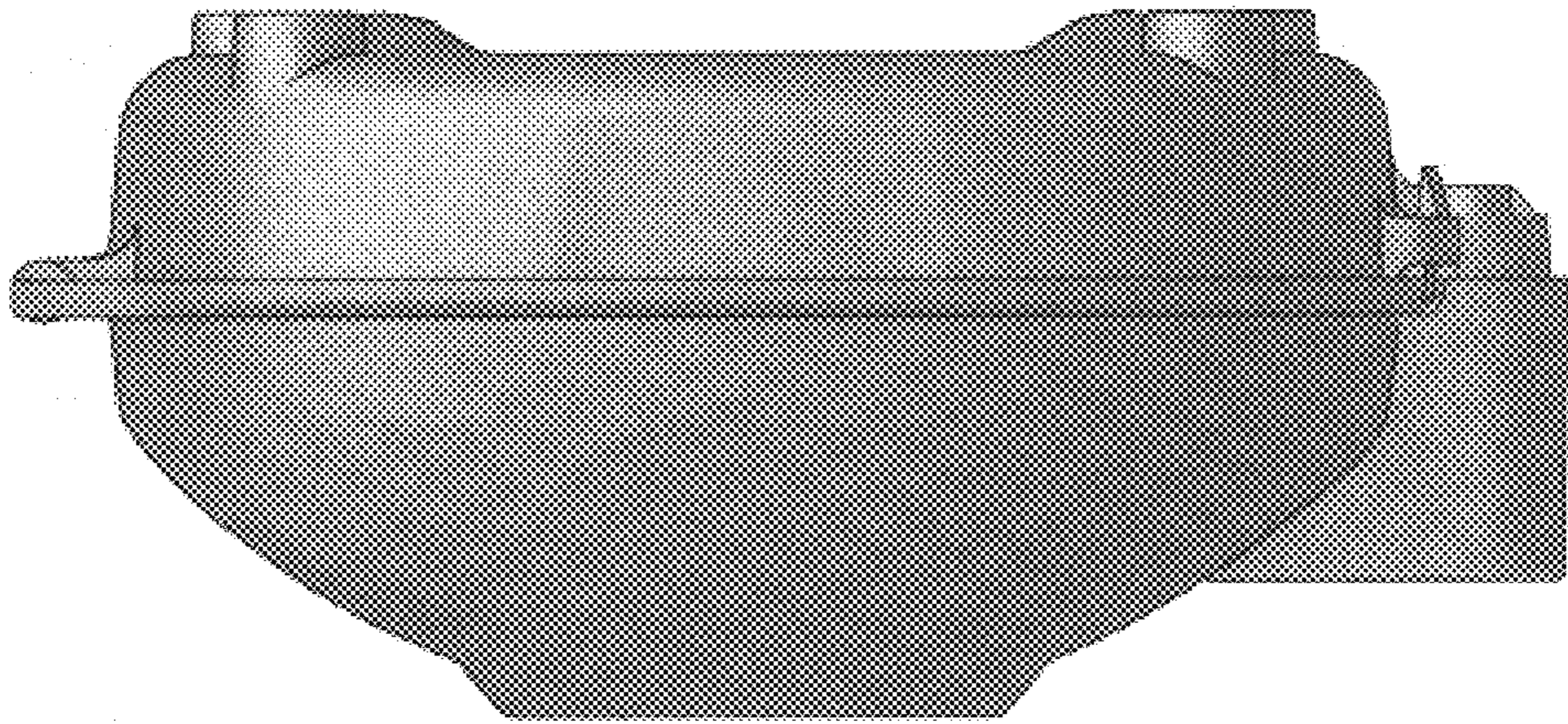


Fig. 4

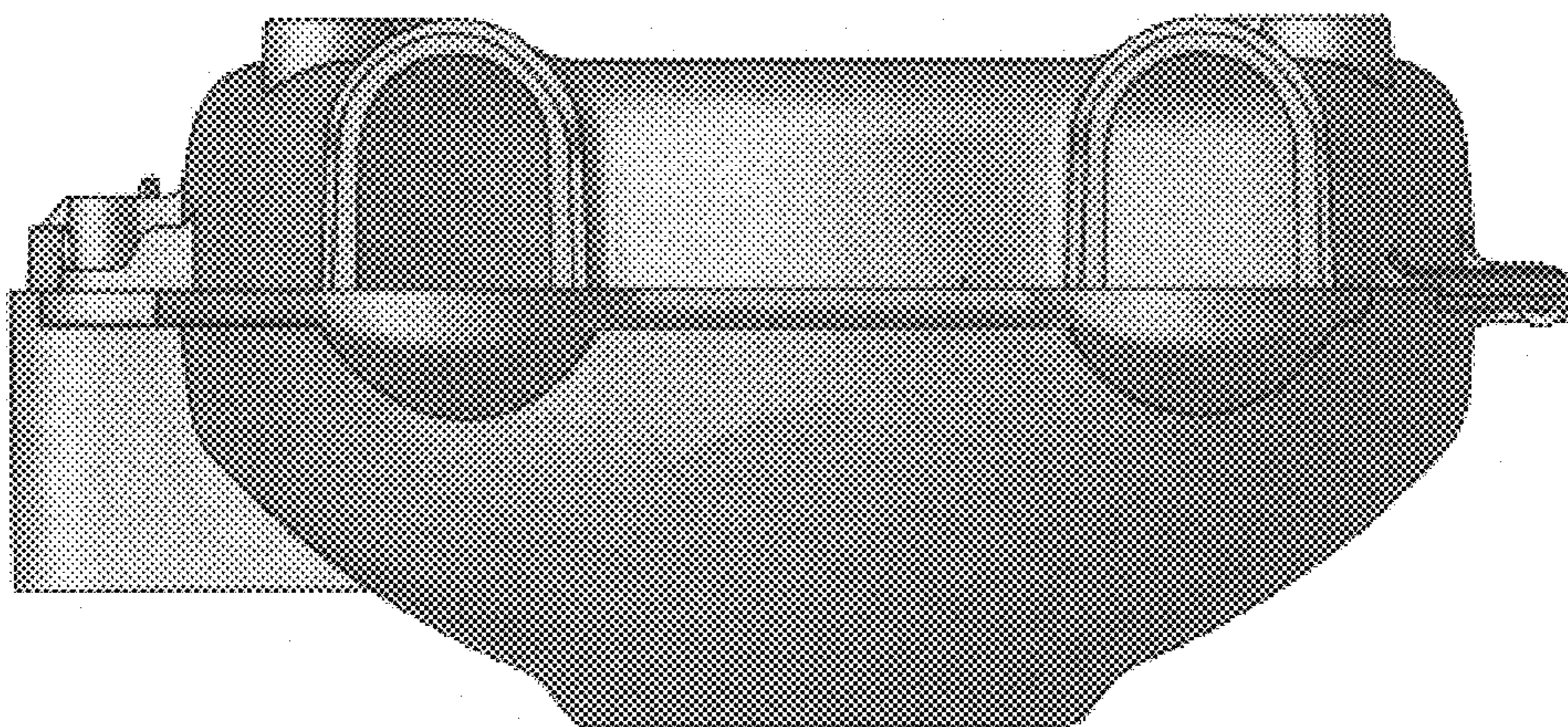


Fig. 5

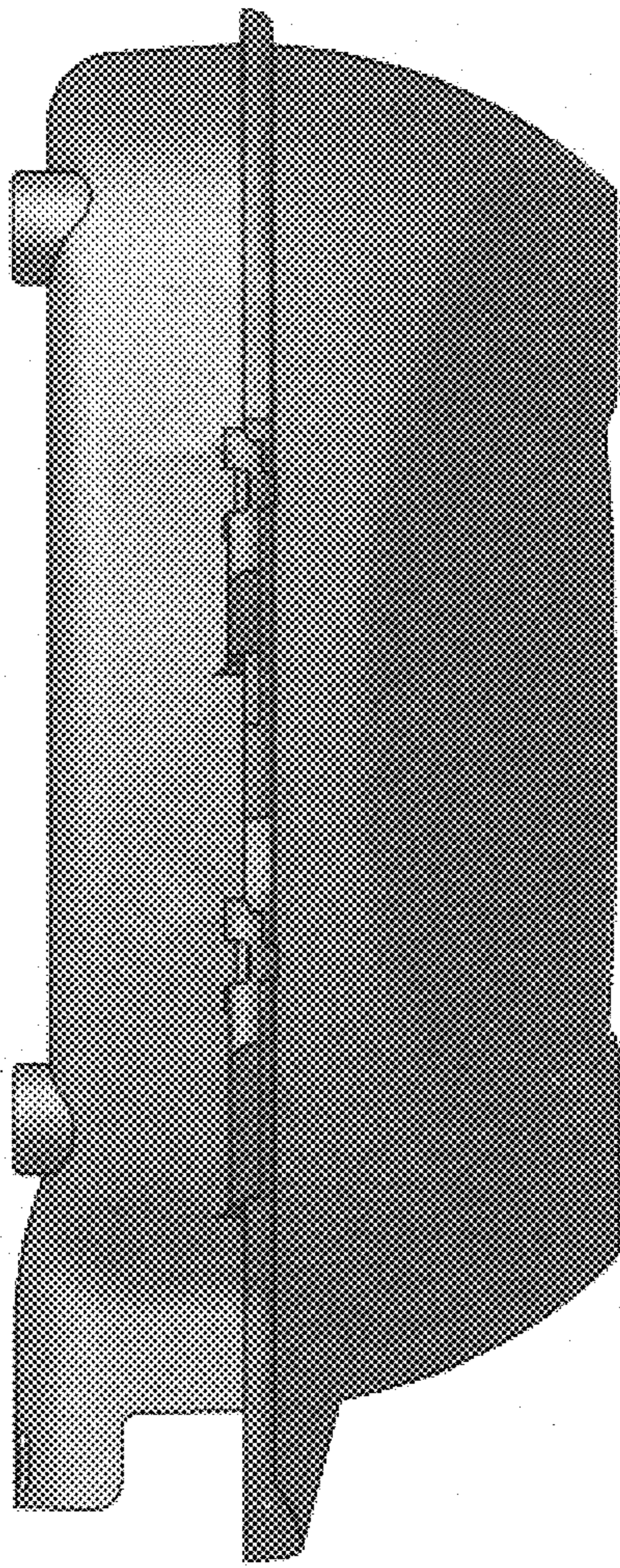


Fig. 6

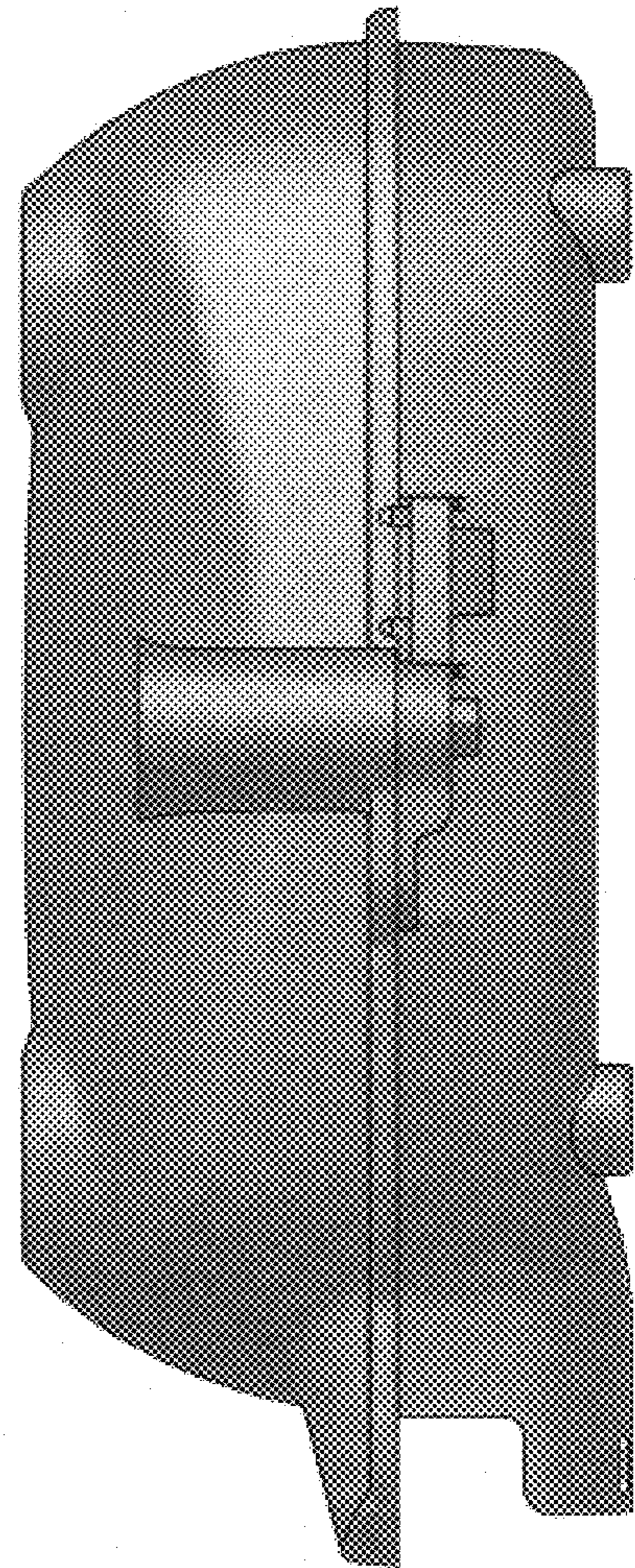


Fig. 7



Fig. 8

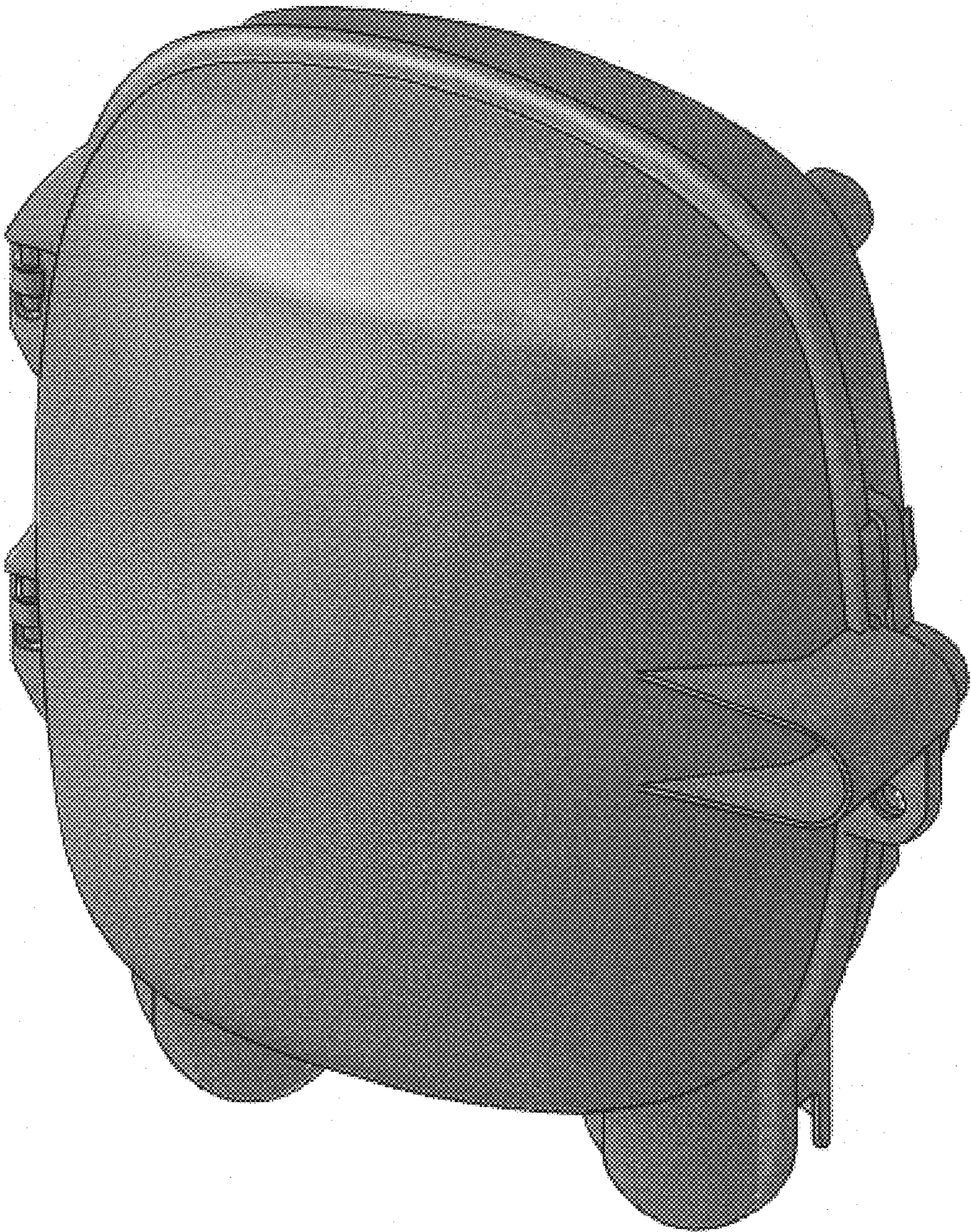


Fig. 9



Fig. 10

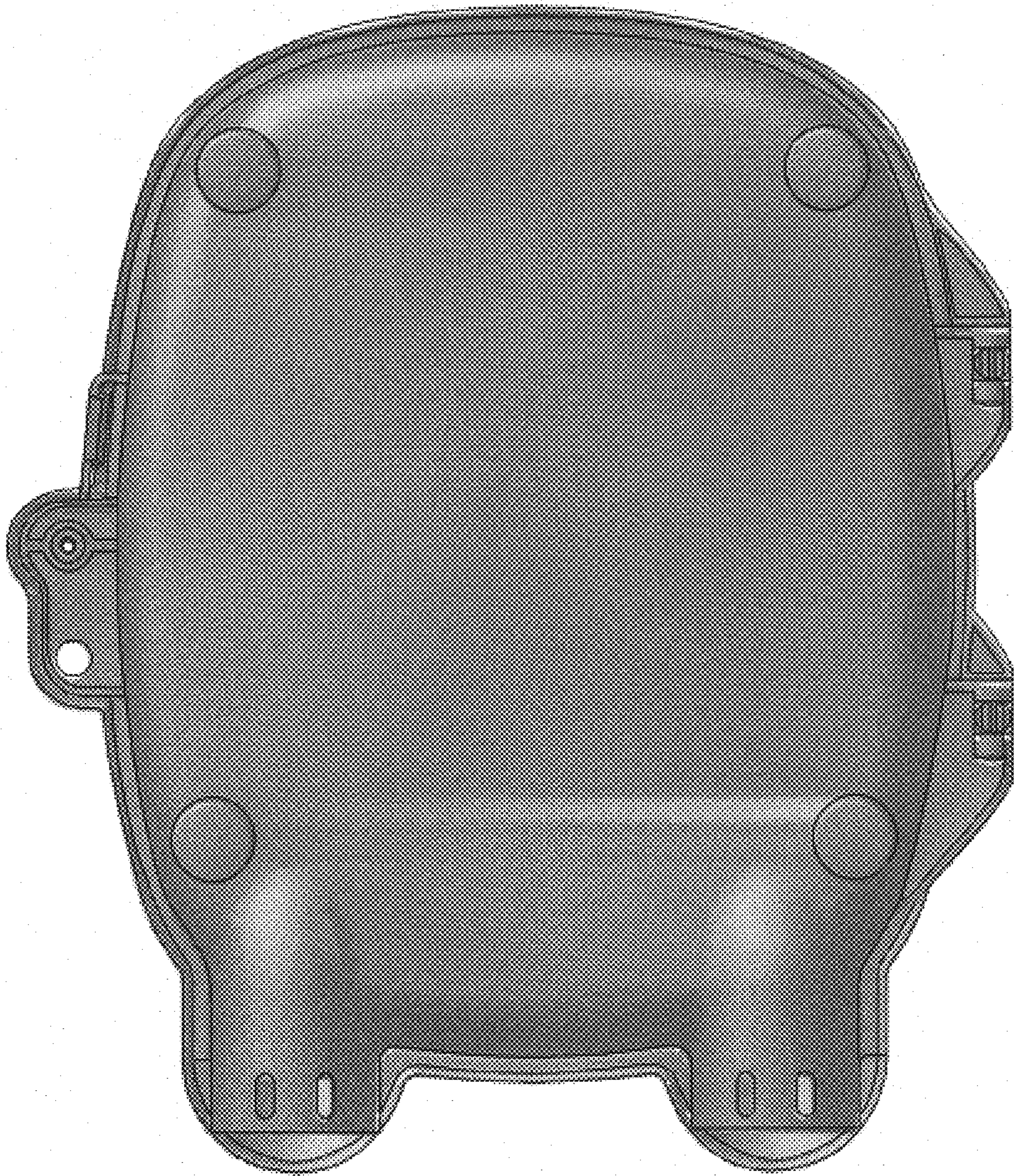


Fig. 11

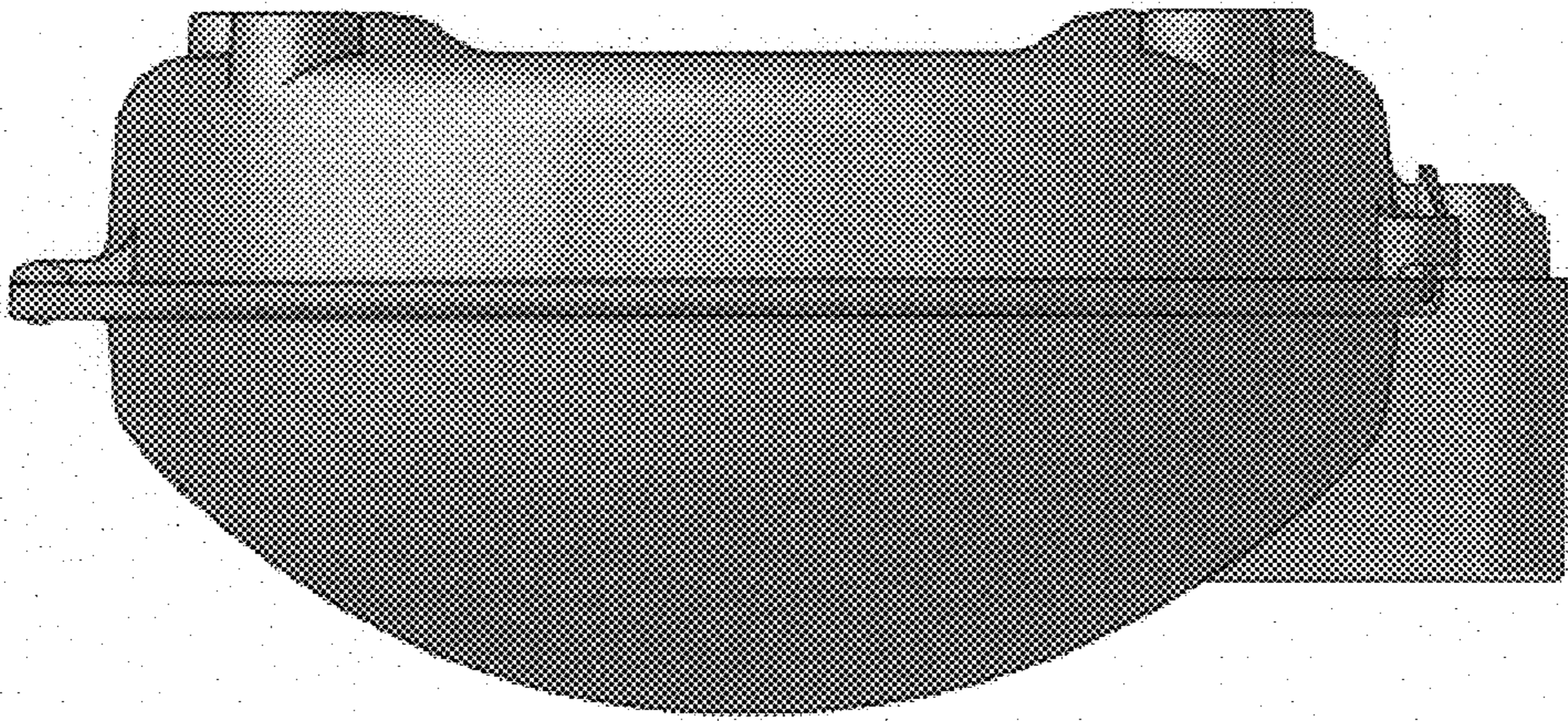


Fig. 12

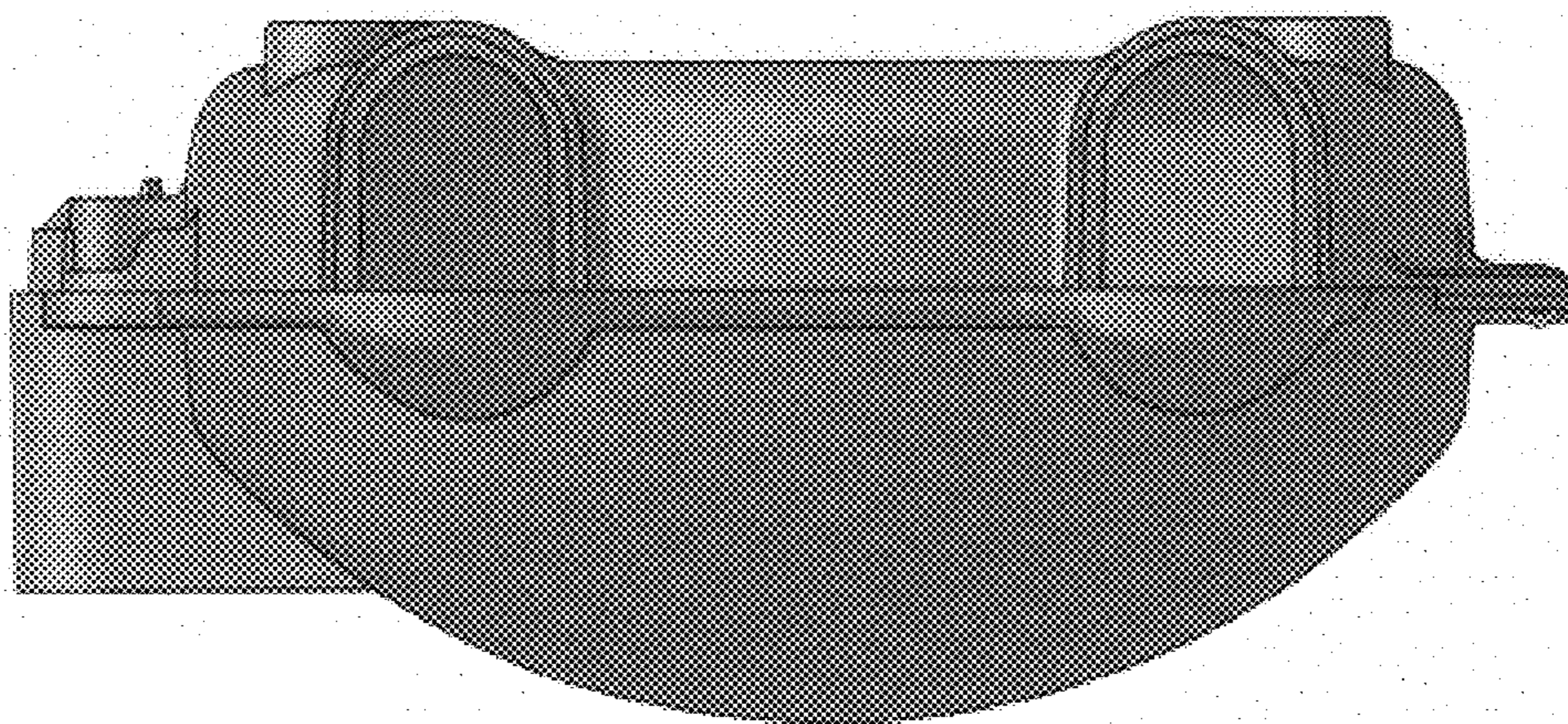


Fig. 13

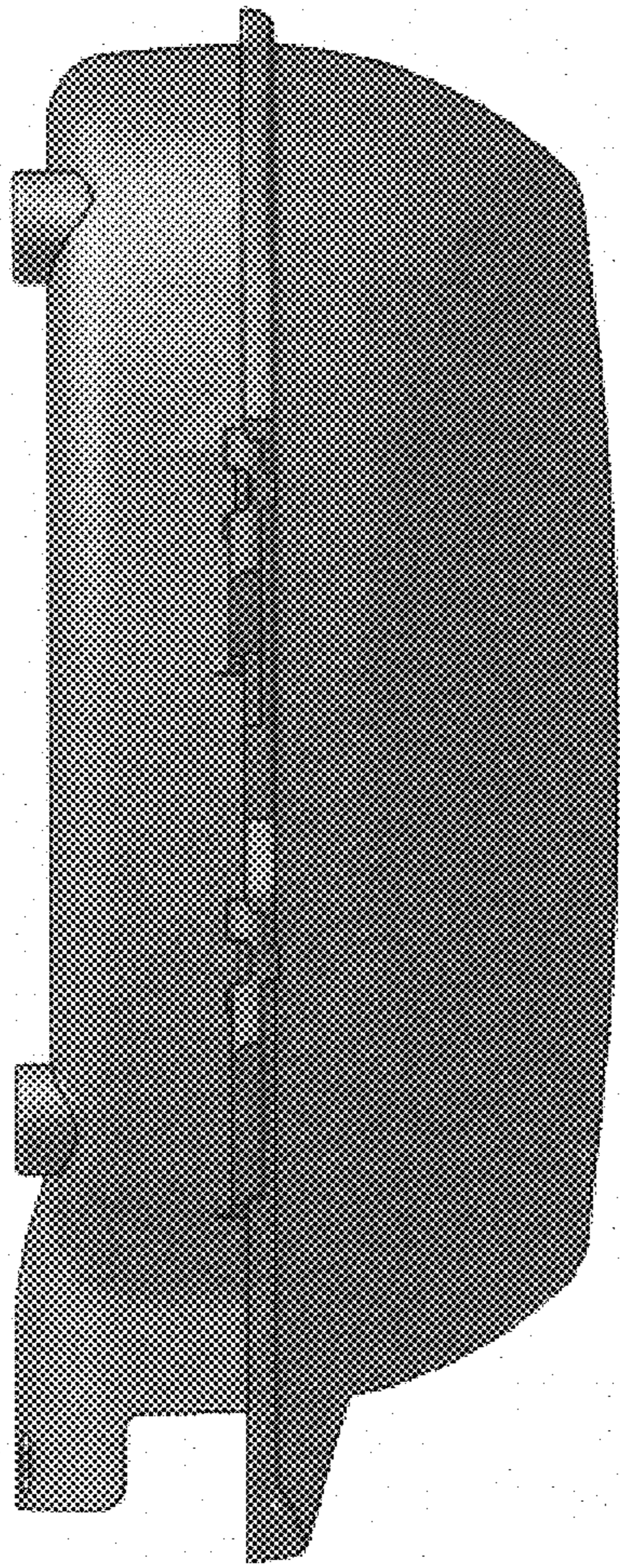


Fig. 14

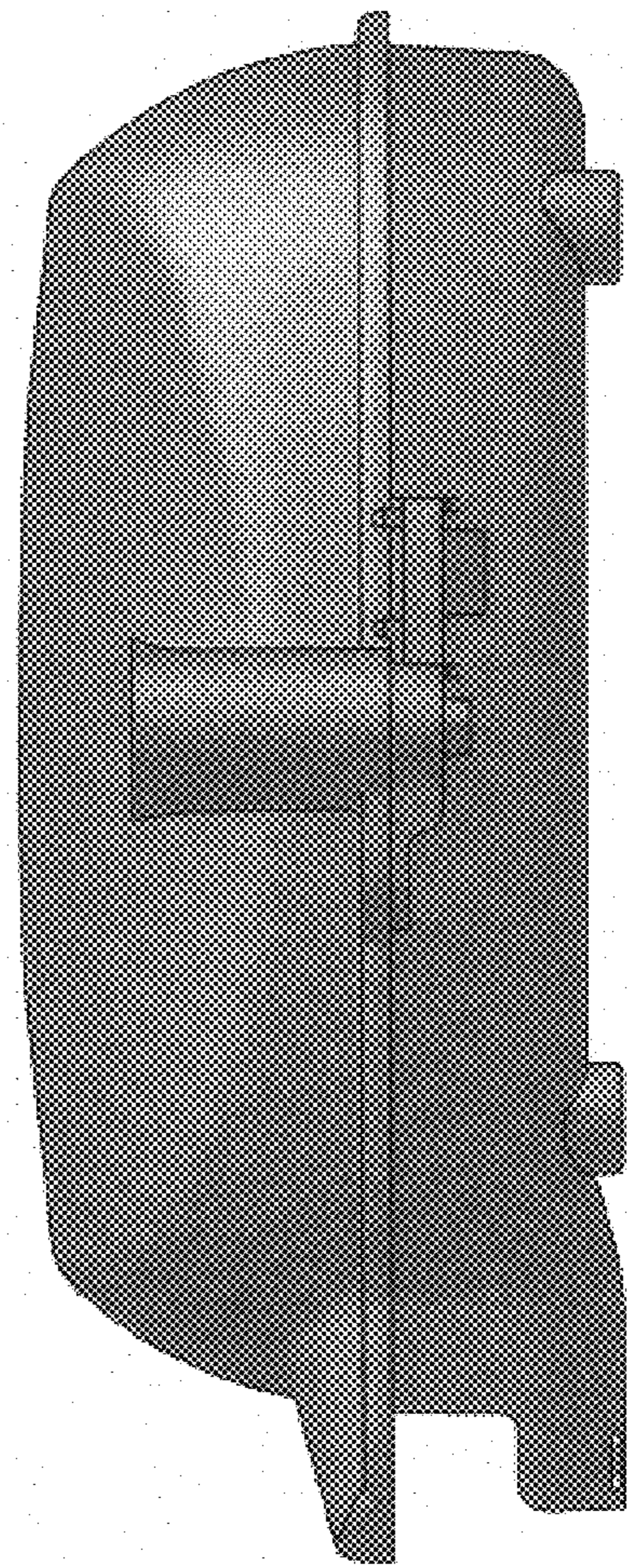


Fig. 15



Fig. 16