



US00D415117S

United States Patent [19]
Belinky et al.

[11] **Patent Number: Des. 415,117**
[45] **Date of Patent: ** *Oct. 12, 1999**

[54] **MOUNTING BOX FOR A TRAILER HITCH ELECTRICAL CONNECTOR**

5,443,389 8/1995 Hughes .

OTHER PUBLICATIONS

[75] Inventors: **Jacob S. Belinky**, Carleton; **David L. Rogers**, Canton, both of Mich.

Hidden Hitch Ford Explorer Installation Instructions, Part #83607, Jul. 4, 1995.

[73] Assignee: **Draw-Tite, Inc.**, Canton, Mich.

Body Components, Underbody Components, Trailer Hitch, p. 25, 1993.

[*] Notice: This patent is subject to a terminal disclaimer.

Copies of (3) photographs of a Trailer Hitch with Welded Electrical Connector Bracket (admitted prior art).

[**] Term: **14 Years**

Advertising Article "Weatherproof Power Outlets", Hoffman Engineering Corporation, p. 12, 1962.

[21] Appl. No.: **29/087,256**

Primary Examiner—Doris V. Coles

Assistant Examiner—Cathron B. Matta

[22] Filed: **Apr. 29, 1998**

Attorney, Agent, or Firm—Leon E. Redman; Edgar A. Zarins

Related U.S. Application Data

[57] **CLAIM**

[63] Continuation-in-part of application No. 29/057,986, Aug. 6, 1996.

The ornamental design for a mounting box for a trailer hitch electrical connector, as shown and described.

[51] **LOC (6) Cl.** **13-03**

DESCRIPTION

[52] **U.S. Cl.** **D13/184; D12/162**

[58] **Field of Search** D13/110, 152,
D13/184; D12/162; 174/48, 49, 50-67;
280/507

FIG. 1 is a perspective view of a mounting box for a trailer hitch electrical connector showing our new design;

FIG. 2 is a left side elevational view thereof, the right side being a mirror image of the left side;

FIG. 3 is a front elevational view thereof;

FIG. 4 is a rear elevational view thereof;

FIG. 5 is a top plan view thereof;

FIG. 6 is a bottom plan view thereof;

FIG. 7 is a perspective view of a second embodiment of the mounting box for a trailer hitch electrical connector, the utilitarian mounting slot shown in phantom is for illustrative purposes only and forms no part of the claimed design;

FIG. 8 is a front elevational view thereof;

FIG. 9 is a rear elevational view thereof;

FIG. 10 is a top plan view thereof; and,

FIG. 11 is a bottom plan view thereof.

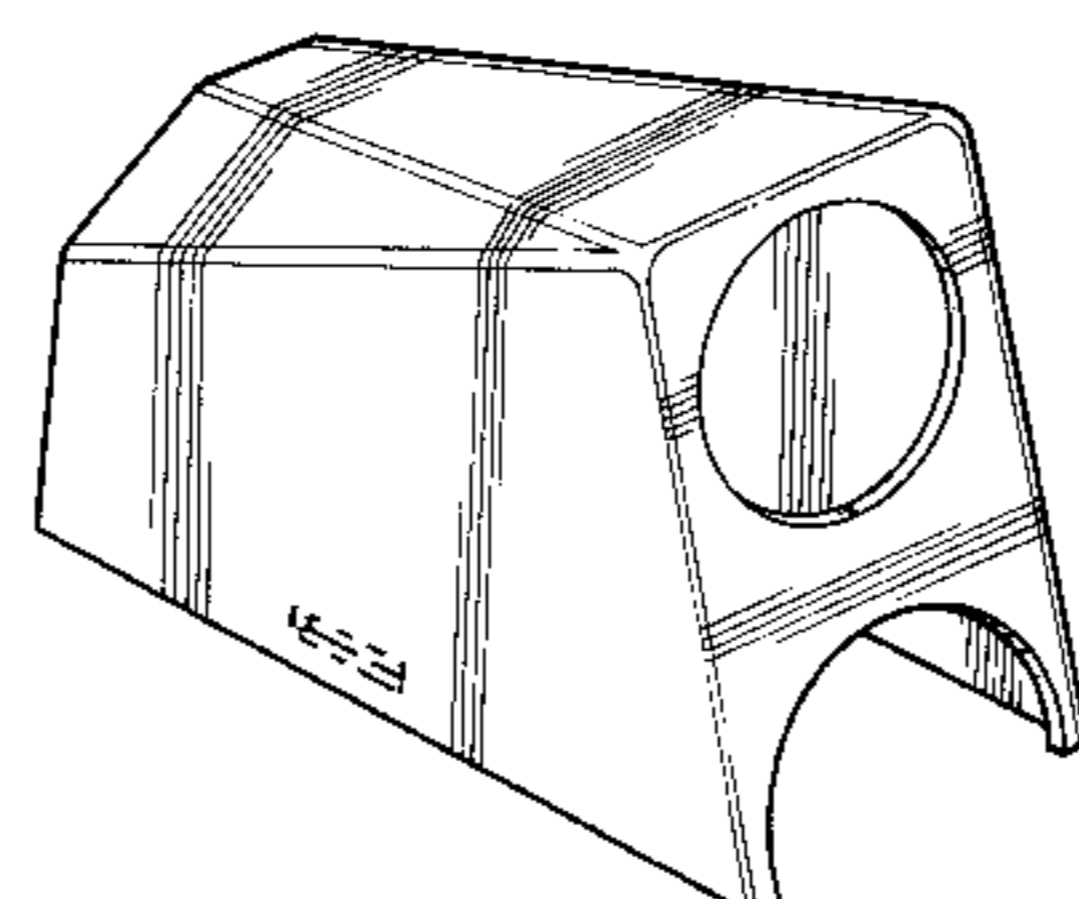
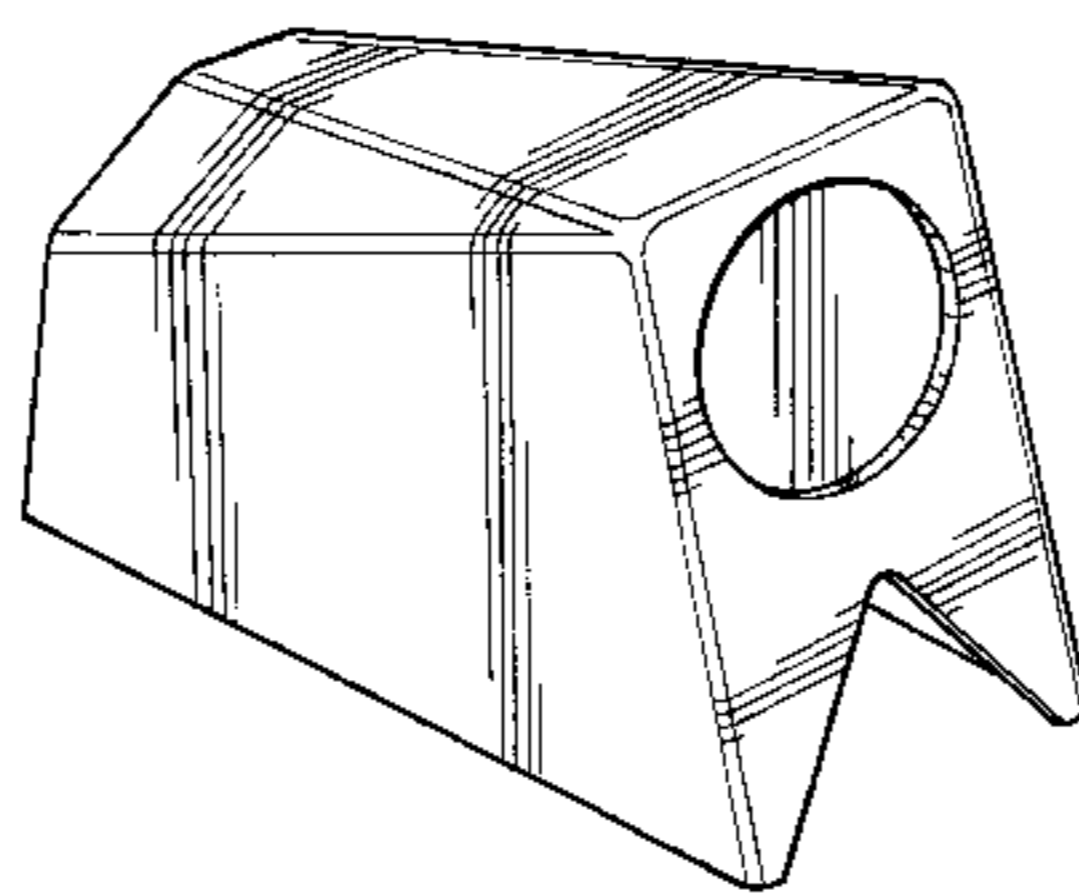
The sole difference in the second embodiment is the arcuate opening at the bottom of the front and rear member.

[56] **References Cited**

U.S. PATENT DOCUMENTS

- D. 254,846 4/1980 Wood .
- D. 273,778 5/1984 Ruhland .
- D. 332,942 2/1993 Julien .
- D. 345,145 3/1994 Fogg et al. .
- D. 358,370 5/1995 Guppy .
- D. 384,336 9/1997 Gerber et al. D13/184
- 2,643,787 6/1953 Rockman .
- 2,878,301 3/1959 Dierstein et al. .
- 4,747,506 5/1988 Stuchlik, III .
- 4,781,393 11/1988 Jeter .
- 4,842,524 6/1989 Hopkins et al. .
- 5,288,094 2/1994 Putnam .
- 5,407,219 4/1995 Chiu .
- 5,407,888 4/1995 Jorgensen et al. .

1 Claim, 4 Drawing Sheets



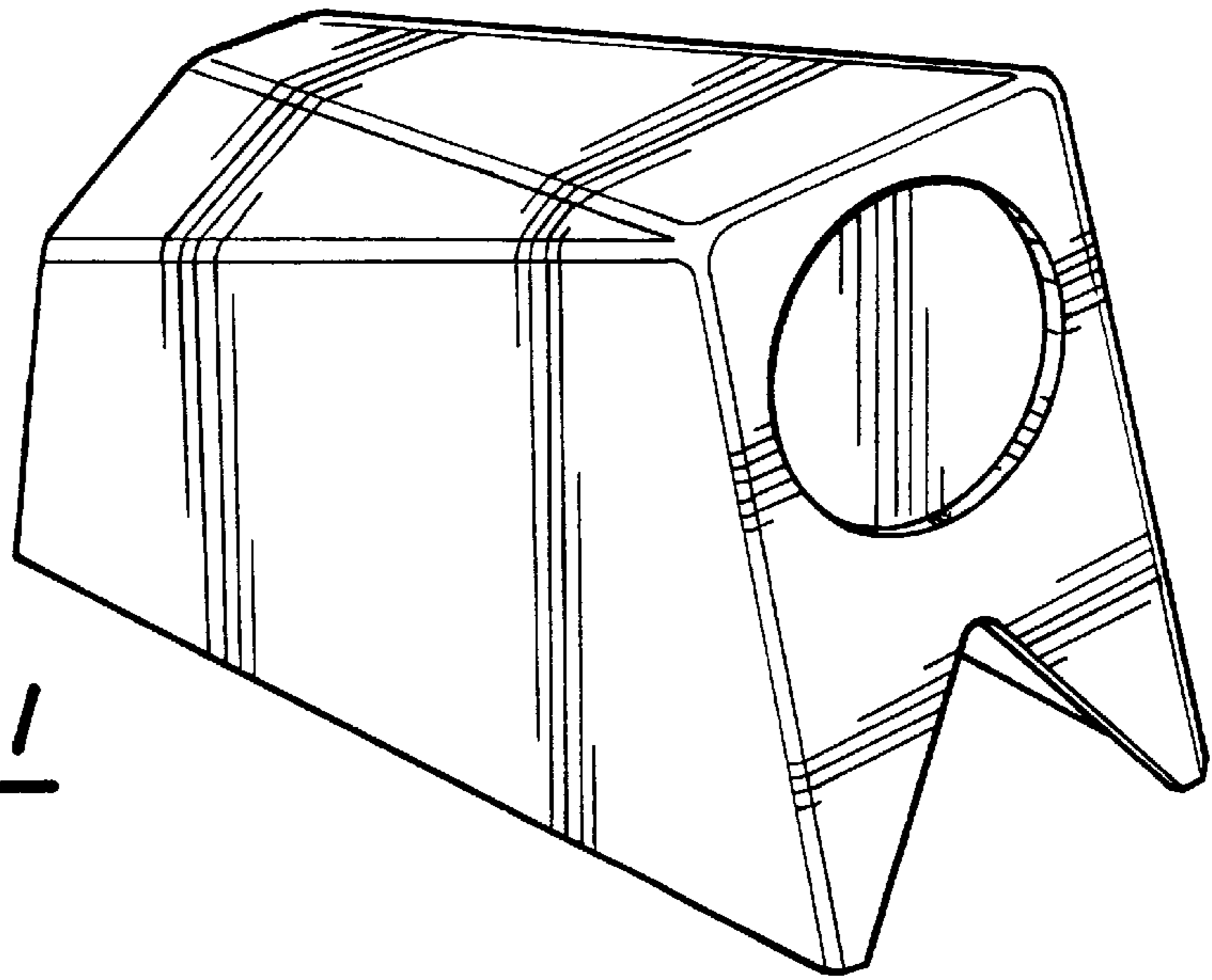


Fig-1

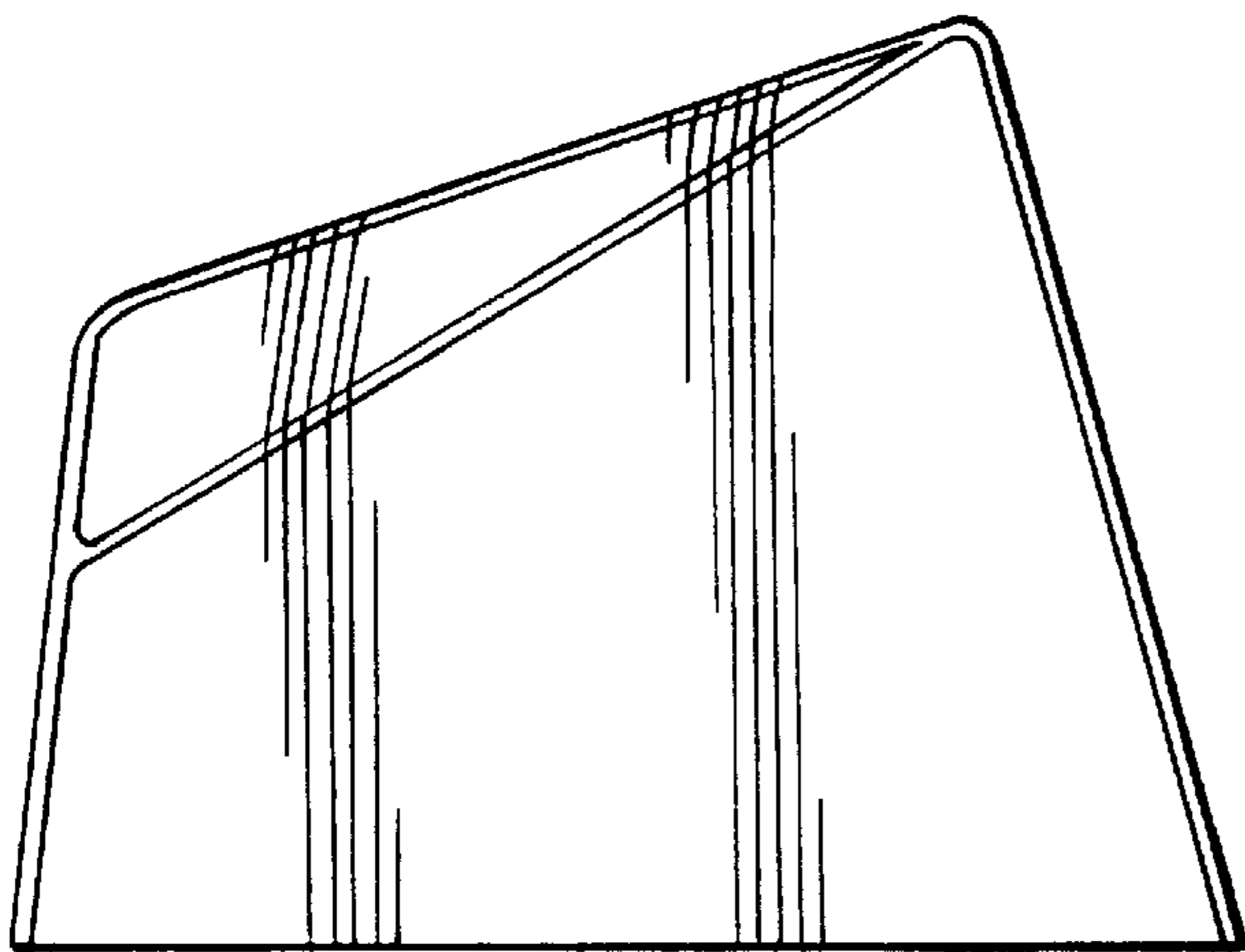


Fig-2

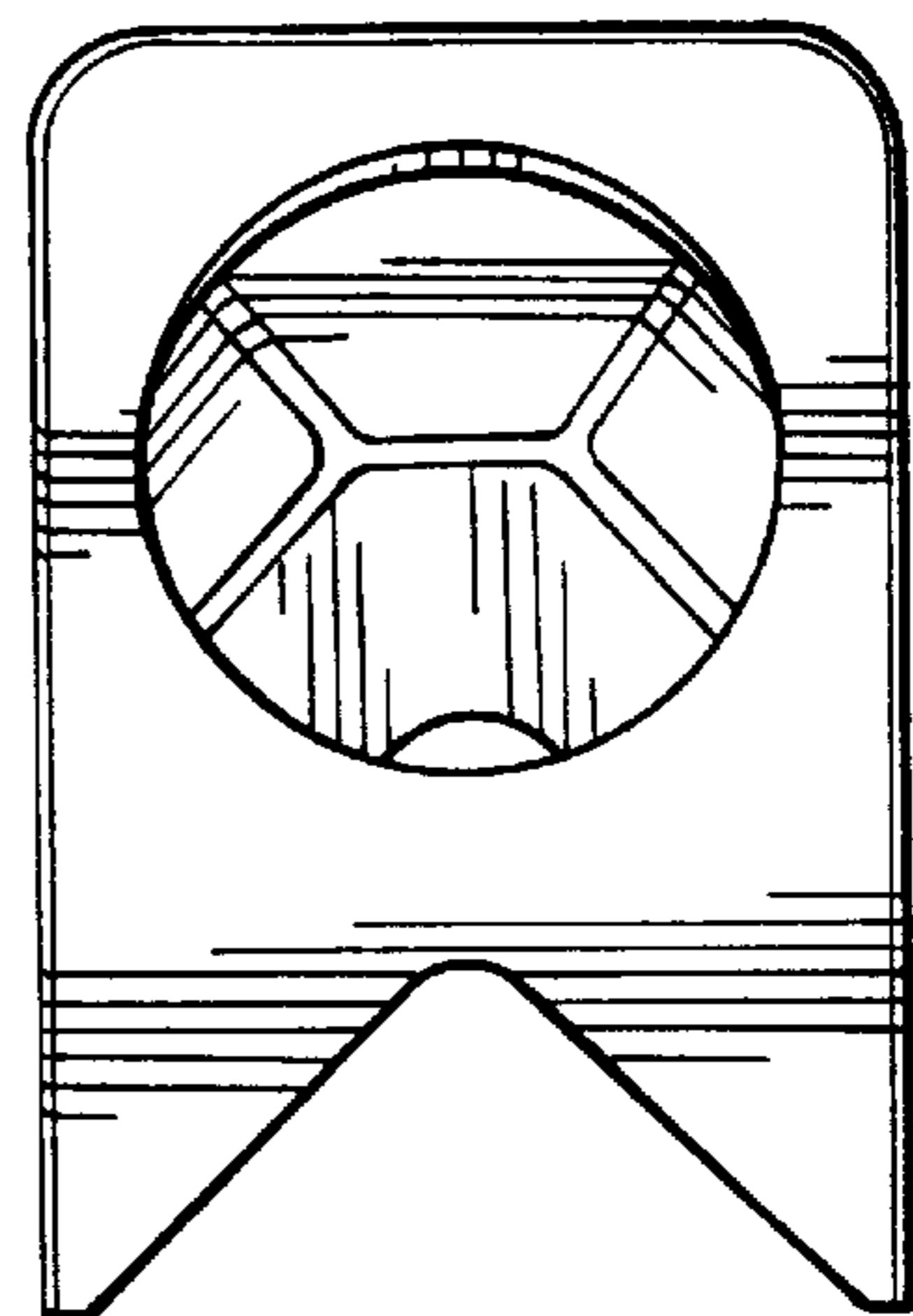


Fig-3

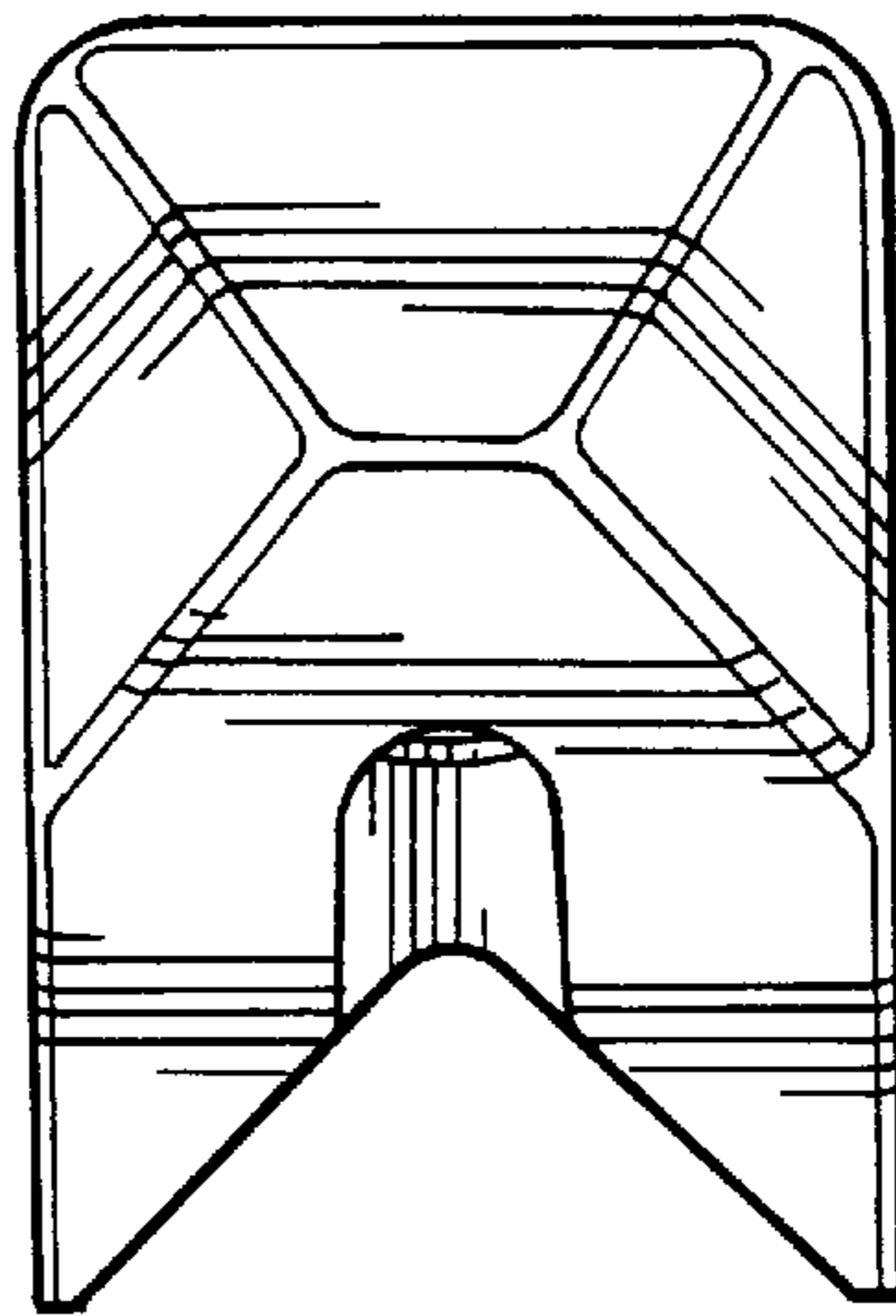


Fig-4

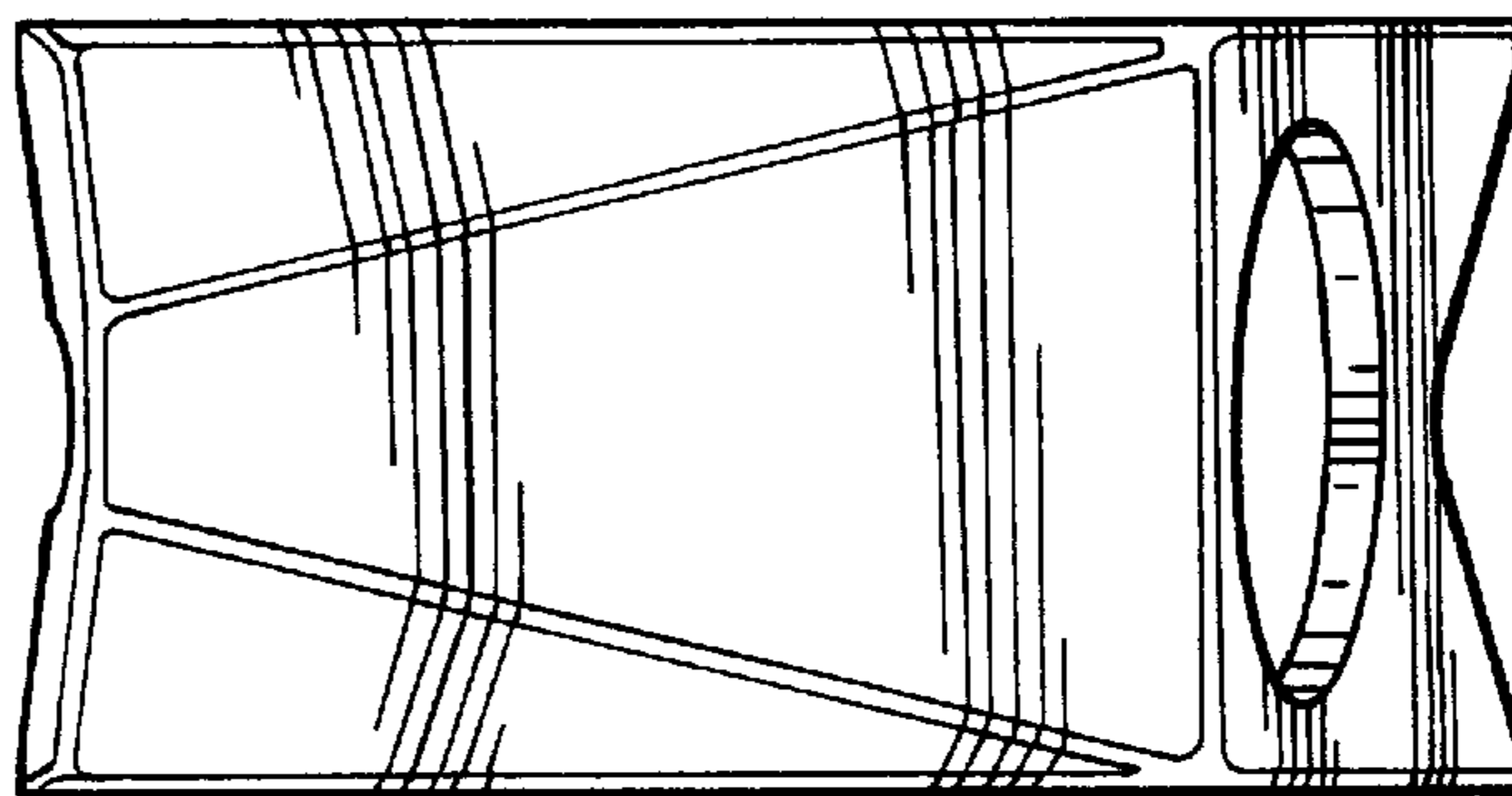


Fig-5

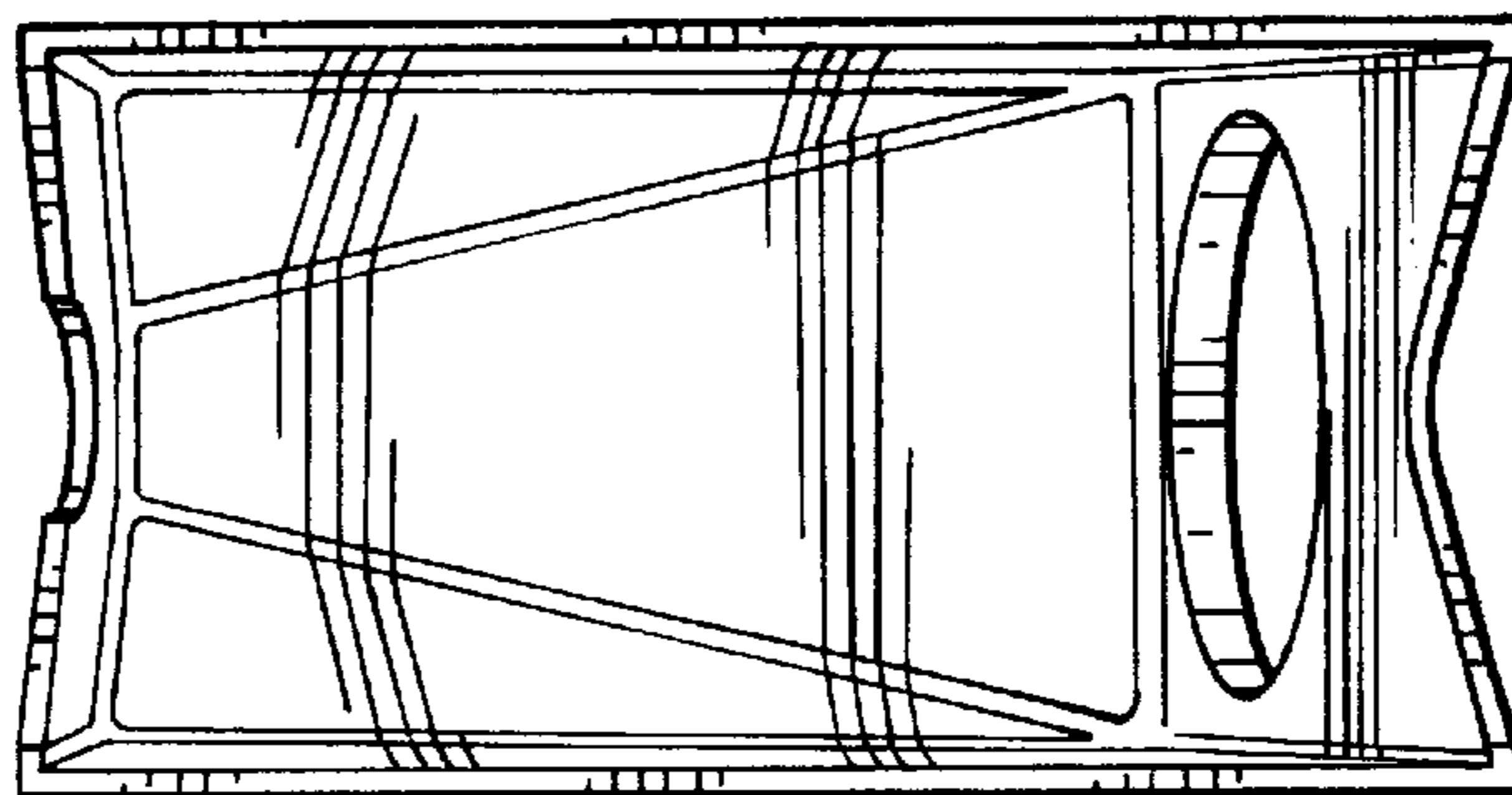


Fig-6

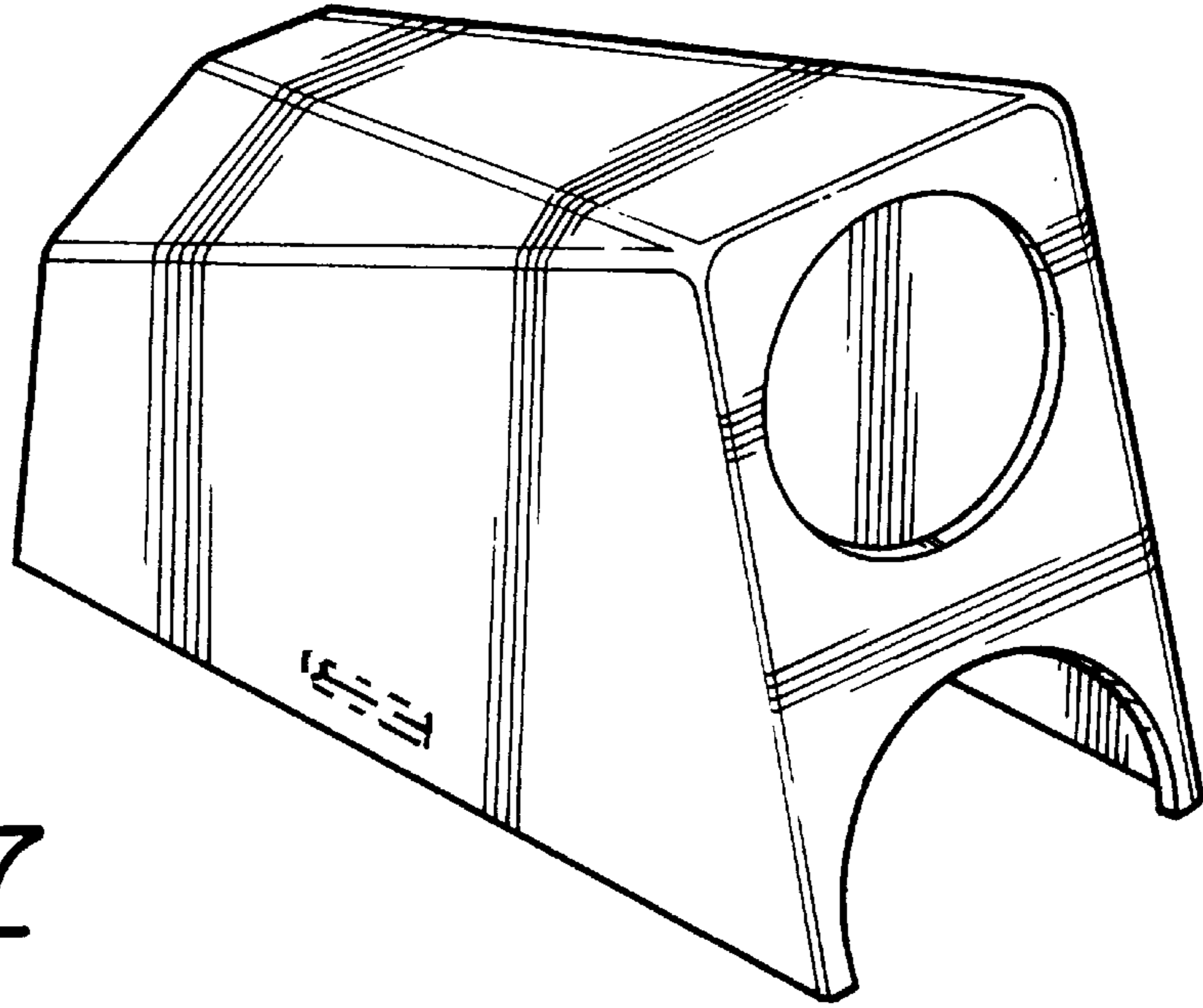


Fig-7

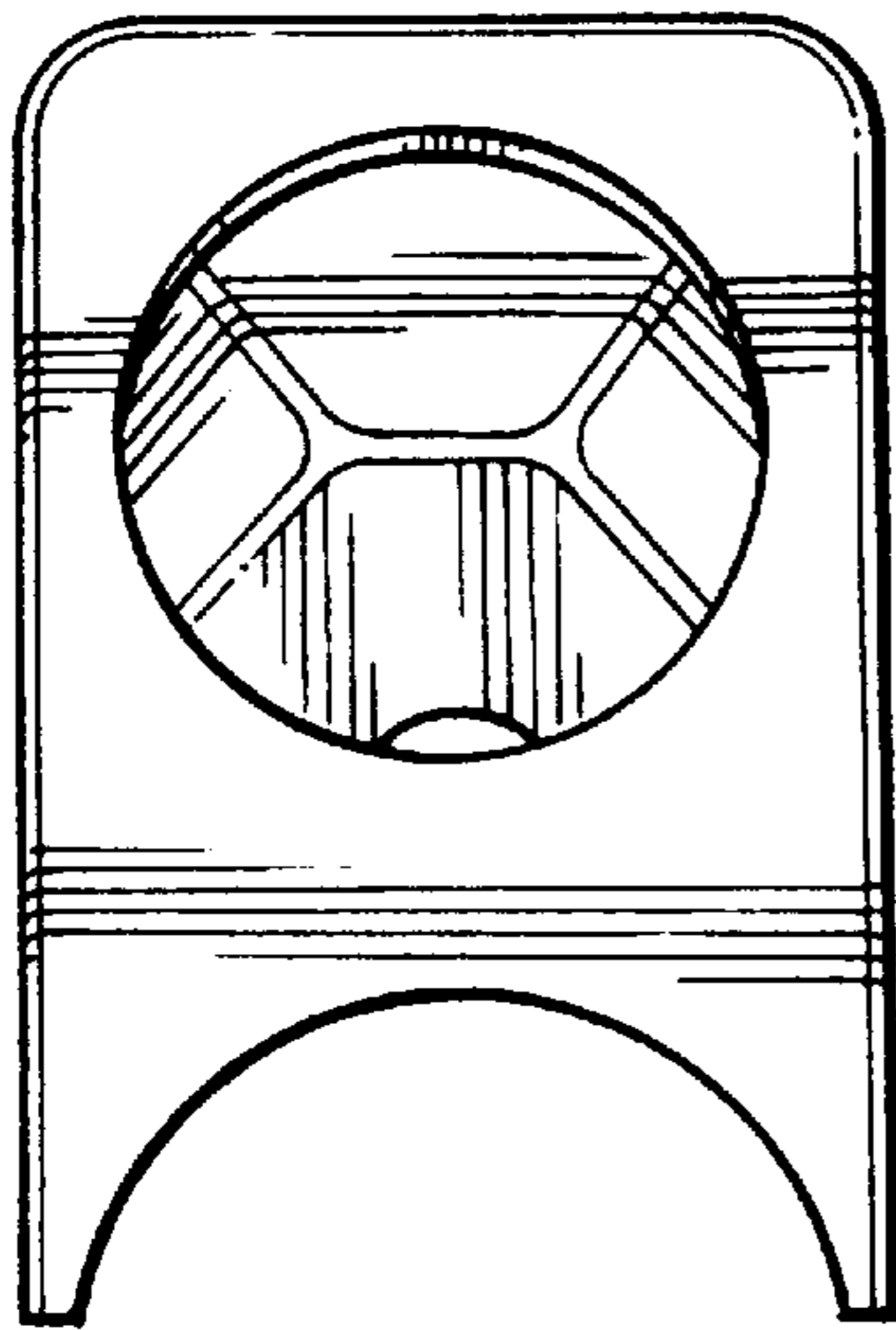


Fig-8

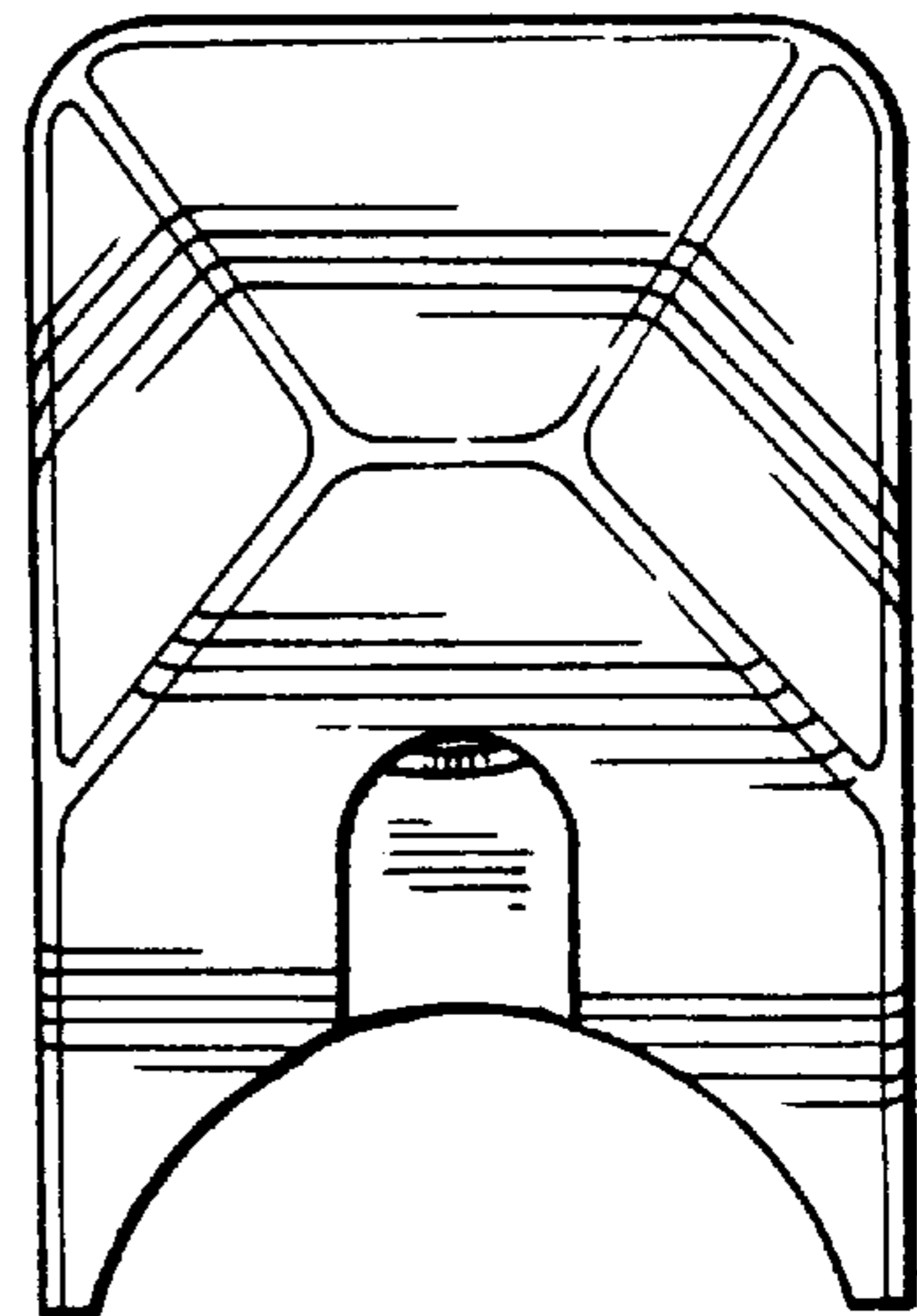


Fig-9

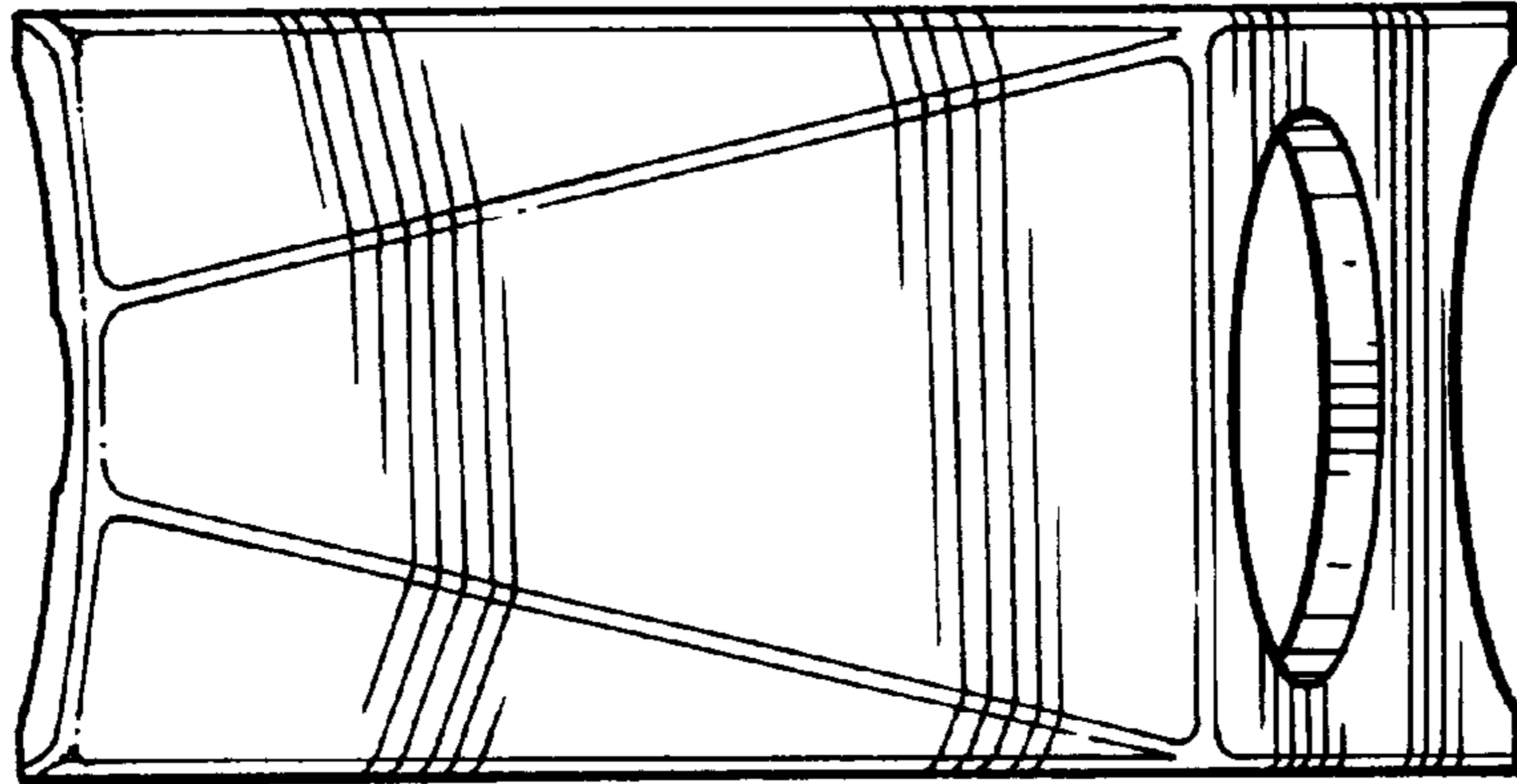


Fig-10

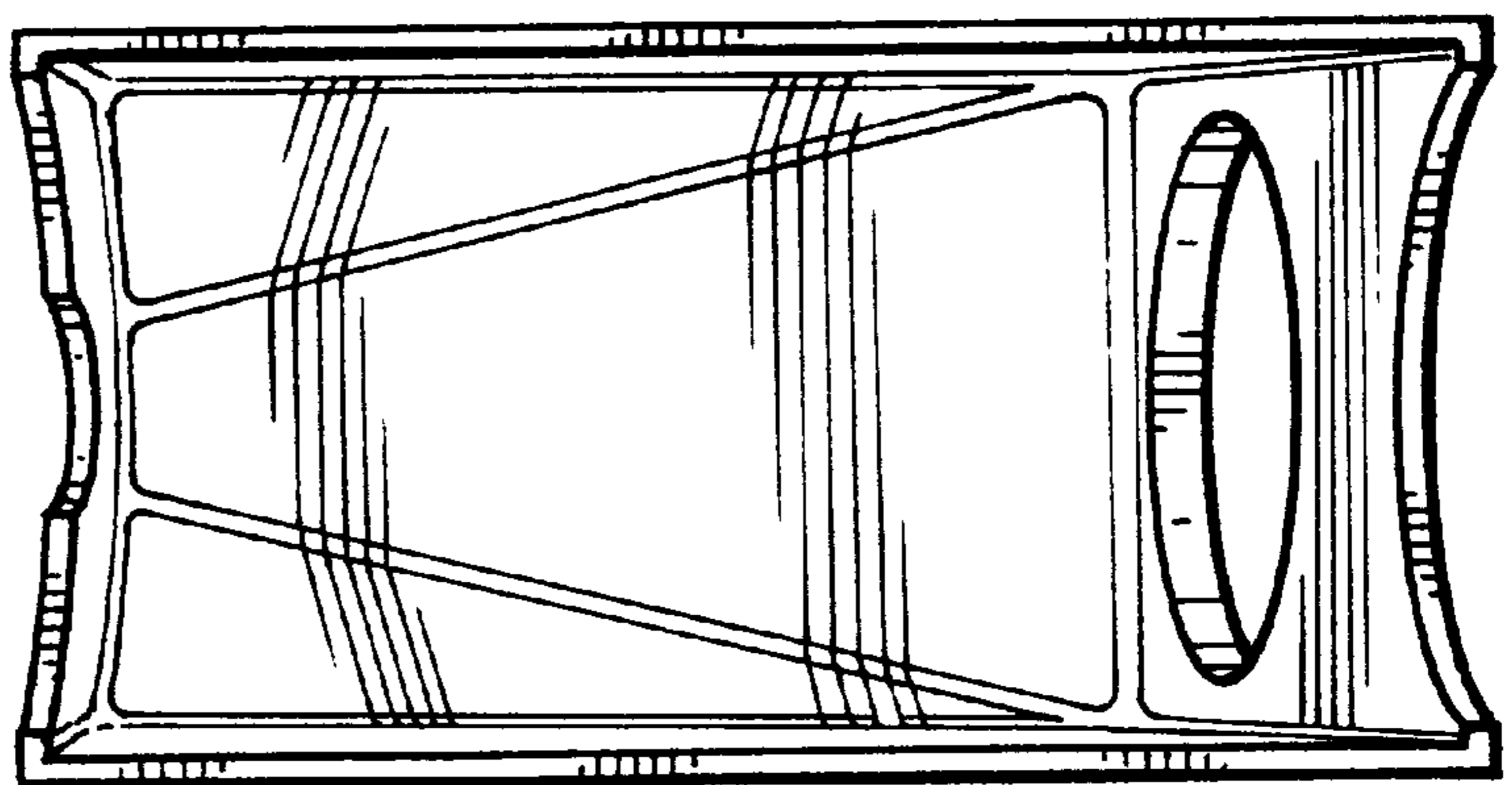


Fig-11