



US00D415116S

# United States Patent [19]

Creutz et al.

[11] **Patent Number: Des. 415,116**

[45] **Date of Patent: \*\* Oct. 12, 1999**

[54] **FRONT PANEL FOR CIRCUIT CARD**

5,696,669 12/1997 Bassler et al. .... 361/816  
5,774,343 6/1998 Benson et al. .... 361/796

[75] Inventors: **Lars Creutz**, Vallingby; **Anders Lindstrom**, Sollentuna, both of Sweden

*Primary Examiner*—Alan P. Douglas  
*Assistant Examiner*—Lavone D. Tabor  
*Attorney, Agent, or Firm*—Burns, Doane, Swecker & Mathis, L.L.P.

[73] Assignee: **Telefonkatiebolaget LM Ericsson**, Stockholm, Sweden

[\*\*] Term: **14 Years**

### [57] CLAIM

[21] Appl. No.: **29/079,197**

The ornamental design for a front panel for circuit card, as shown and described.

[22] Filed: **Nov. 14, 1997**

### DESCRIPTION

### [30] Foreign Application Priority Data

May 16, 1997 [SE] Sweden ..... 97-1143

[51] **LOC (6) Cl.** ..... **13-03**

[52] **U.S. Cl.** ..... **D13/182; D13/177**

[58] **Field of Search** ..... D13/173, 177,  
D13/182; D14/115, 257; 174/35 R, 66;  
361/737, 748, 761, 788, 796, 816, 818;  
439/76.1, 607

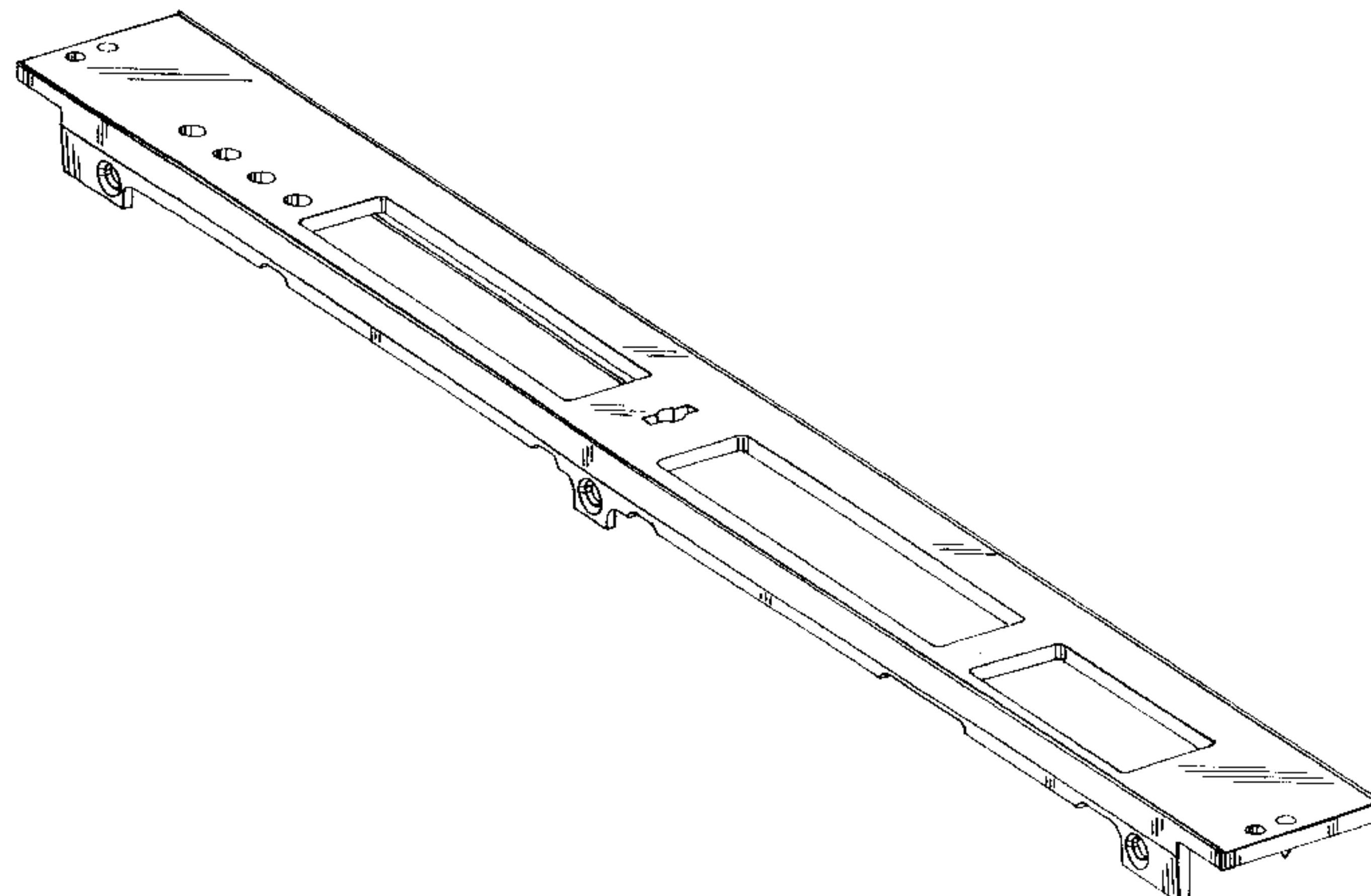
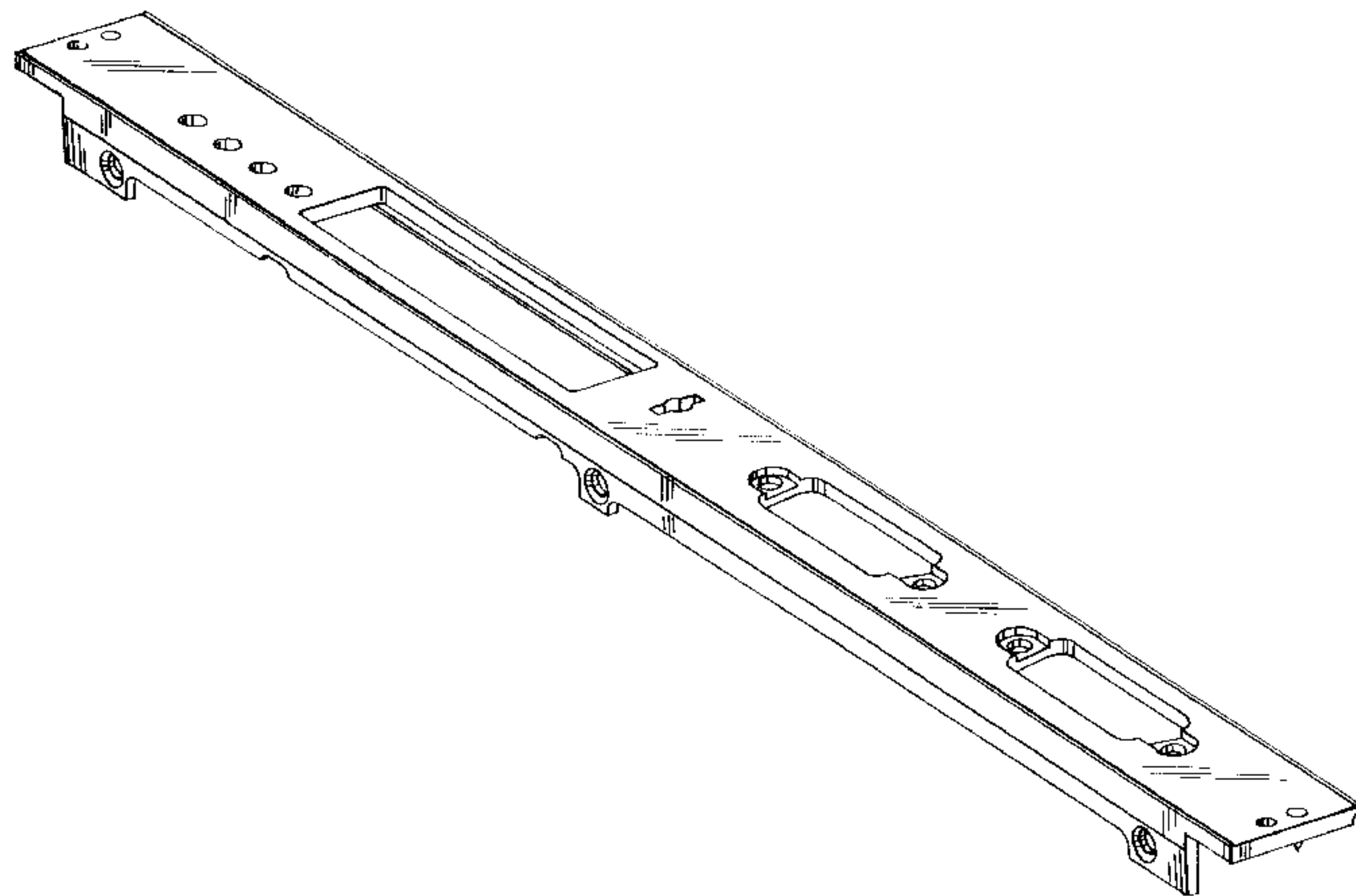
FIG. 1 is a front, bottom perspective view of a front panel for circuit card showing our new design;  
FIG. 2 is an end elevational view thereof, the other end being a mirror image thereof;  
FIG. 3 is a front, top perspective view thereof;  
FIG. 4 is a rear, bottom perspective view thereof;  
FIG. 5 is a rear elevational view thereof;  
FIG. 6 is a front, bottom perspective view of a further embodiment of the front panel for circuit card shown in FIG. 1;  
FIG. 7 is an end elevational view thereof, the other end being a mirror image thereof;  
FIG. 8 is a rear, bottom perspective view thereof; and,  
FIG. 9 is a rear elevational view thereof.

### [56] References Cited

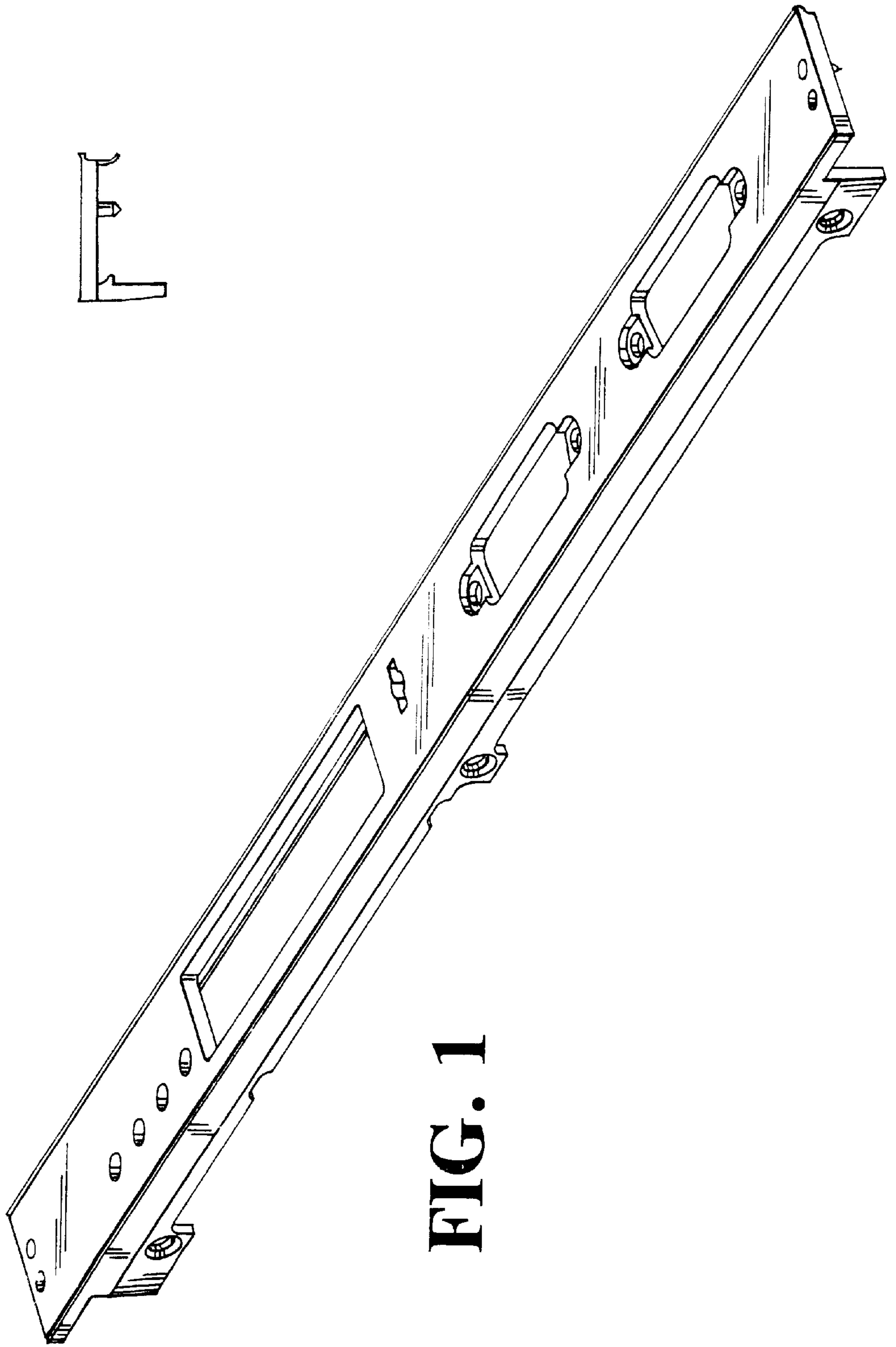
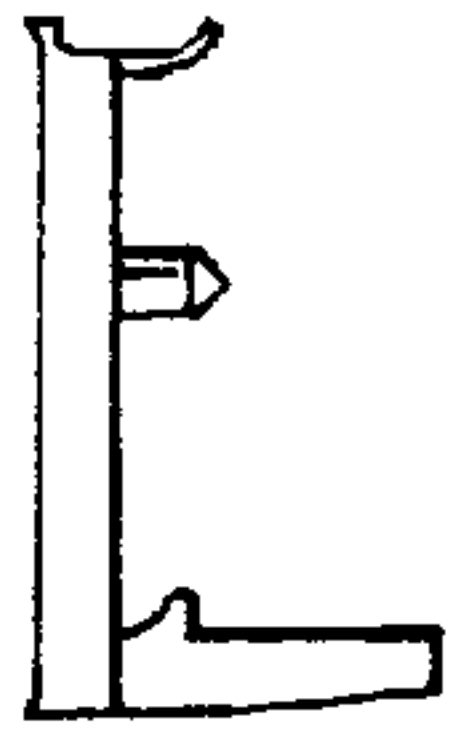
#### U.S. PATENT DOCUMENTS

D. 360,419 7/1995 Weber et al. .... D13/177 X  
4,873,394 10/1989 Bhargava et al. .... 174/35 R  
5,347,430 9/1994 Curlee et al. .... 361/816  
5,392,192 2/1995 Dunn et al. .... 361/818 X

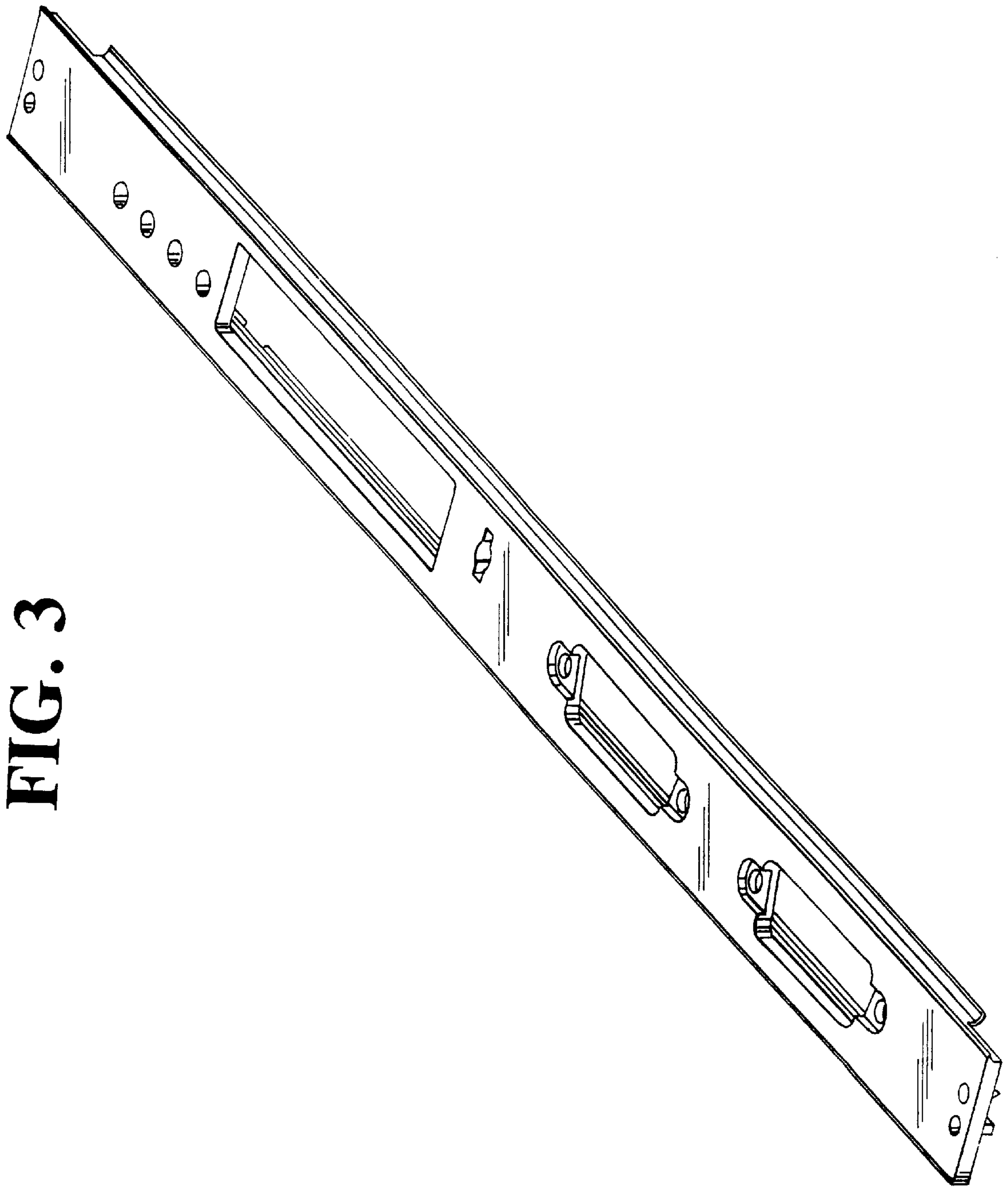
**1 Claim, 5 Drawing Sheets**



**FIG. 2**

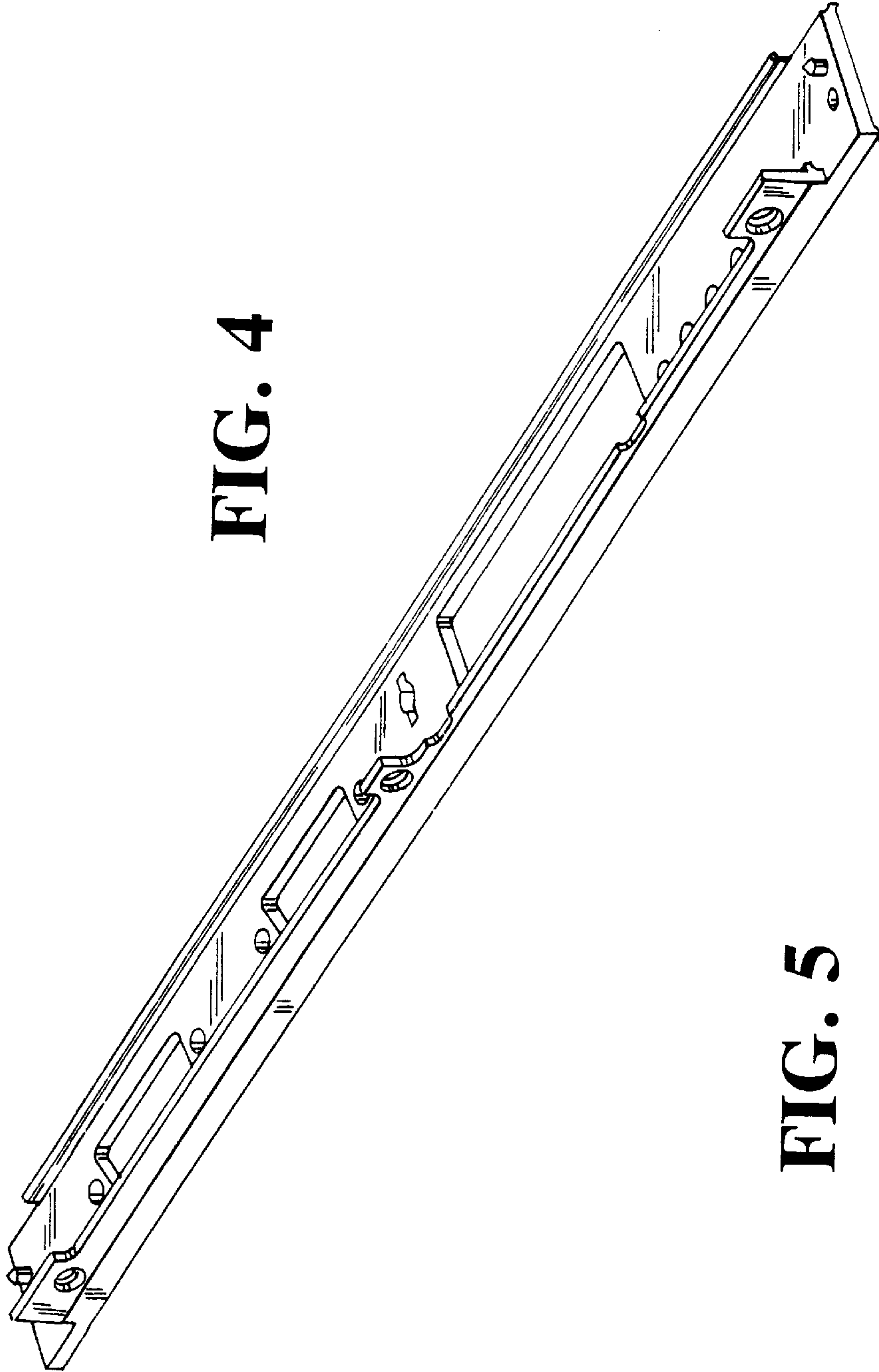


**FIG. 1**

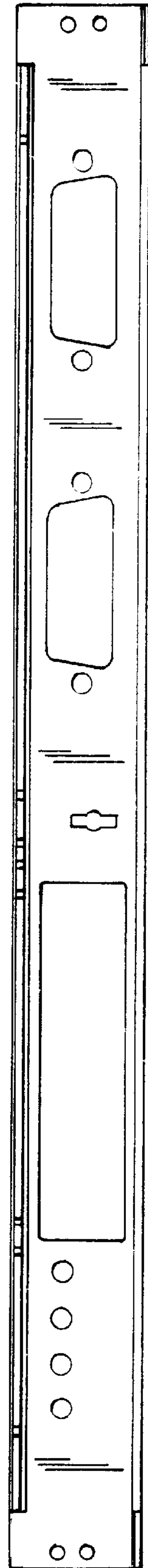


**FIG. 3**

**FIG. 4**

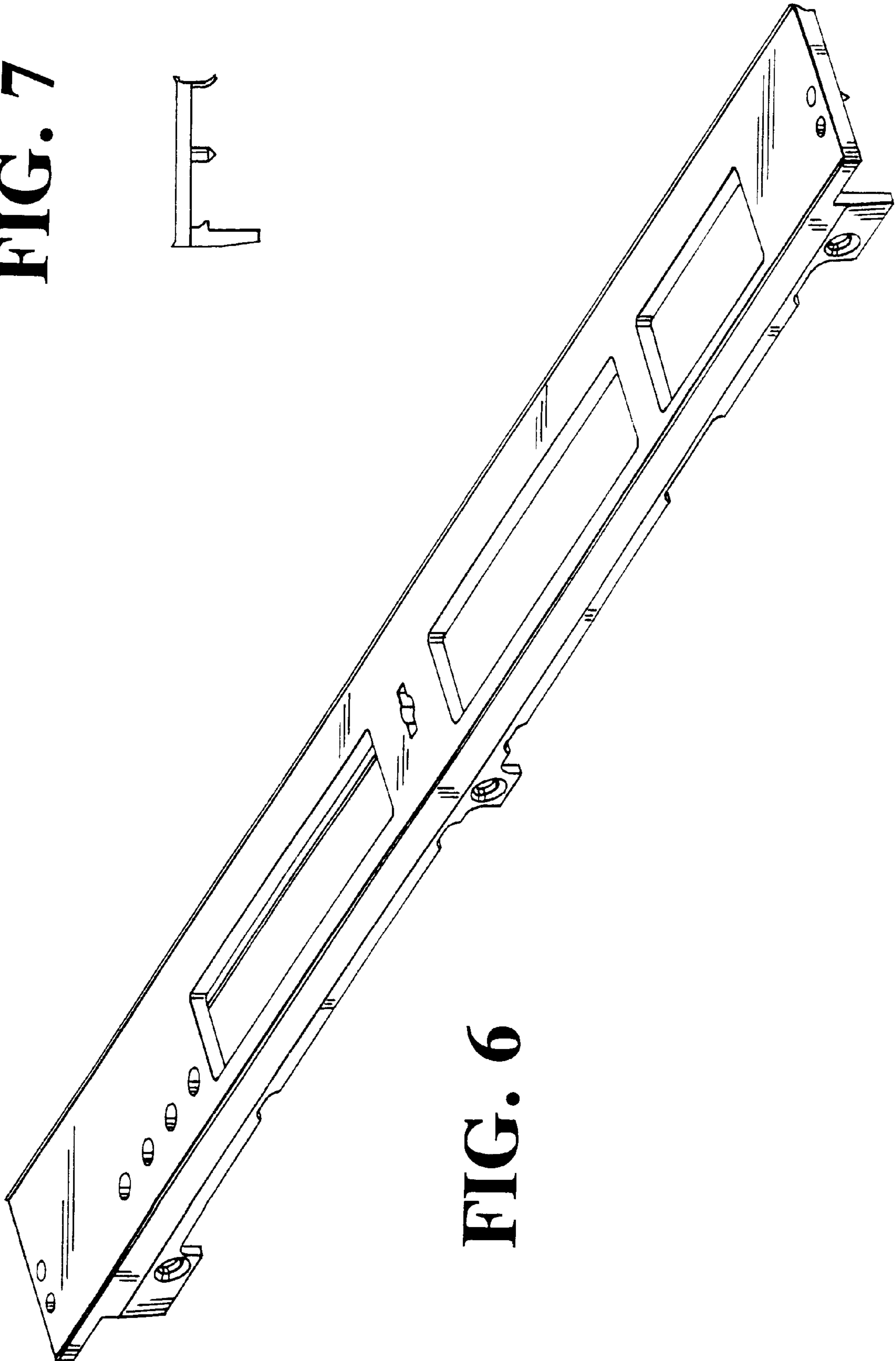
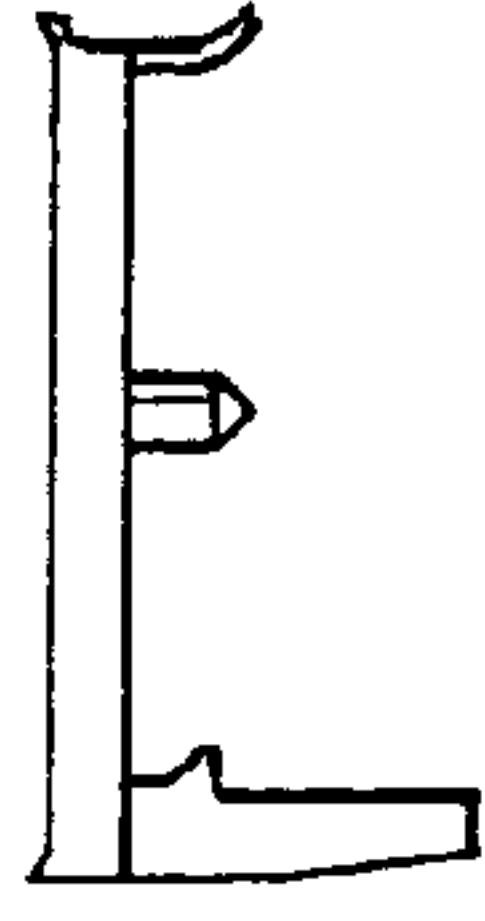


**FIG. 5**



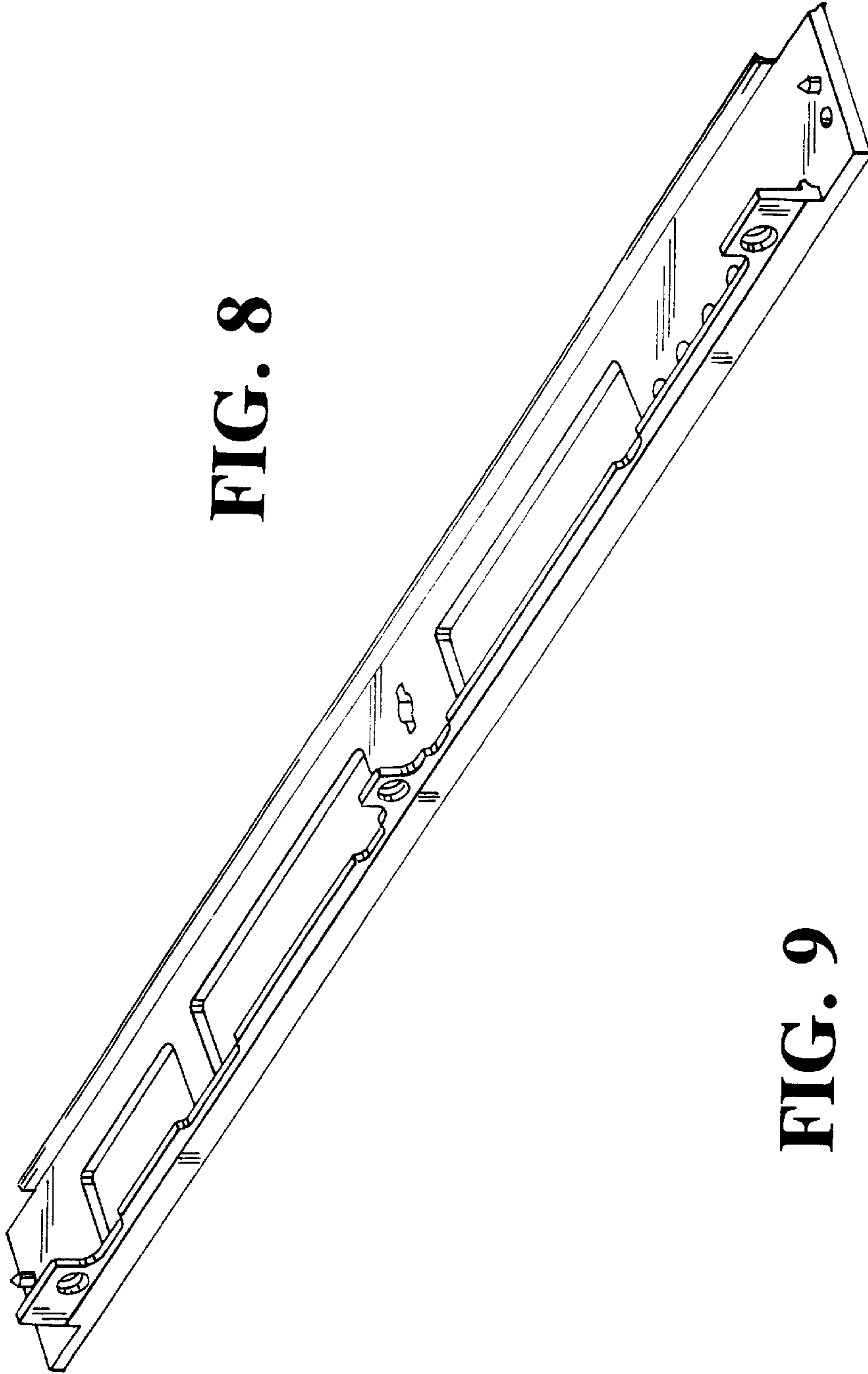


**FIG. 7**



**FIG. 6**

**FIG. 8**



**FIG. 9**

