



US00D415113S

United States Patent [19] Driver, III

[11] **Patent Number: Des. 415,113**

[45] **Date of Patent: ** Oct. 12, 1999**

[54] **ELECTRIC CORD CLAMP**

5,589,665 12/1996 Scamacca 174/67

[76] Inventor: **William J. Driver, III**, 1839 SW.
Primrose St., Portland, Oreg. 97219

Primary Examiner—Joel Sincavage

[**] Term: **14 Years**

[57] **CLAIM**

I claim the ornamental design for an electrical cord clamp, as shown and described.

[21] Appl. No.: **29/098,447**

[22] Filed: **Dec. 30, 1998**

DESCRIPTION

[51] **LOC (6) Cl.** **13-03**

[52] **U.S. Cl.** **D13/156**; D13/154

[58] **Field of Search** D13/156, 154;
174/67; 439/373, 372; 220/242

FIG. 1 is a perspective view of an electrical cord clamp showing my new design;

FIG. 2 is a front elevational view thereof;

FIG. 3 is a rear elevational view thereof;

FIG. 4 is a left side elevational view thereof, the right side elevational view being a mirror image of this Figure;

FIG. 5 is a top plan view thereof; and,

FIG. 6 is a bottom plan view thereof.

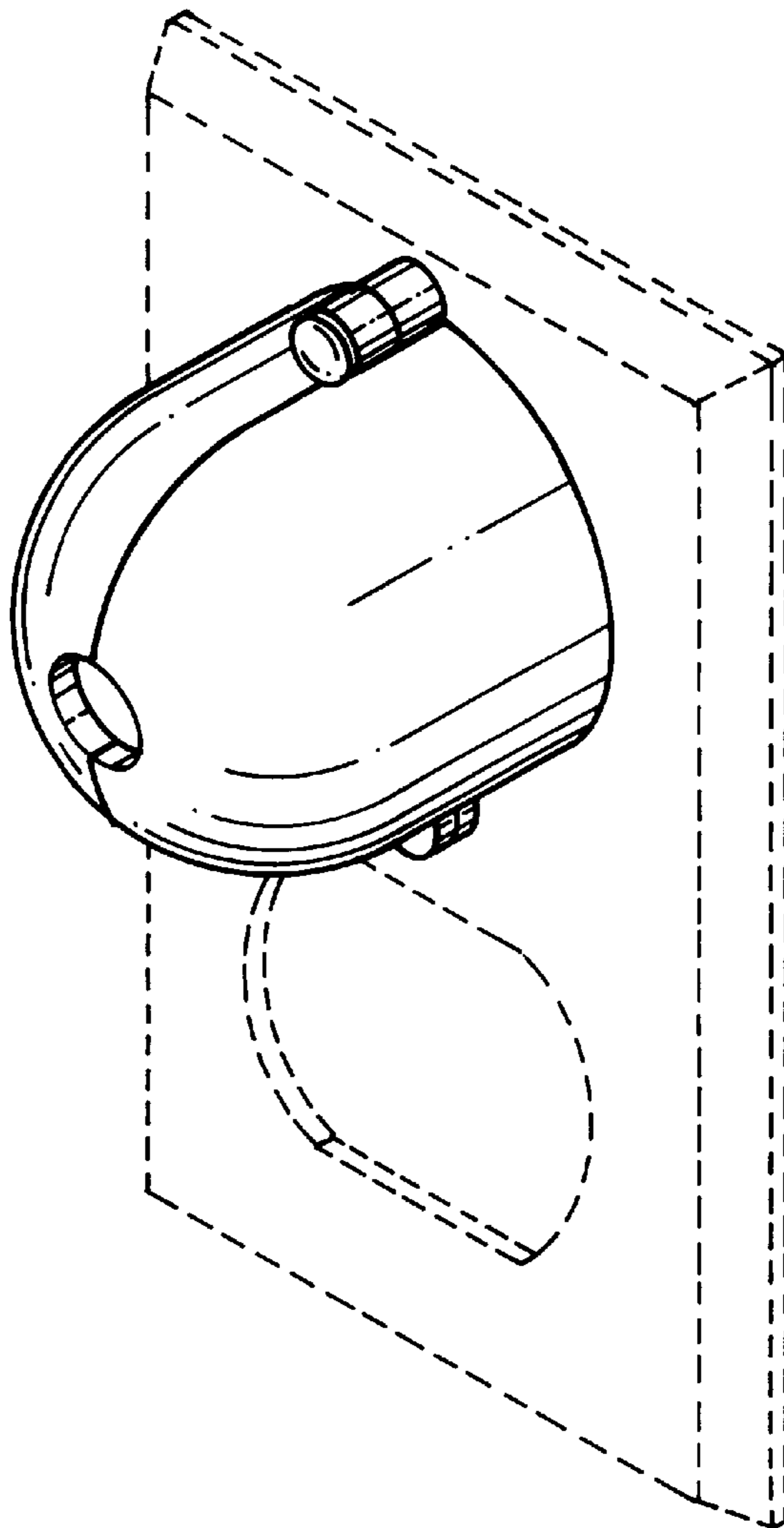
The broken line illustration in FIG. 1 represents an electrical receptacle cover plate as is not part of the design to be patented.

[56] **References Cited**

U.S. PATENT DOCUMENTS

| | | | | |
|------------|---------|-----------|-------|-----------|
| D. 283,221 | 4/1986 | West | | D13/156 |
| 2,761,112 | 8/1956 | Torcivia | | 174/67 X |
| 3,067,402 | 12/1962 | Thaw | | 174/67 X |
| 3,428,936 | 2/1969 | Arno, Jr. | | 439/373 X |
| 3,775,729 | 11/1973 | Casper | | 174/67 X |

1 Claim, 3 Drawing Sheets



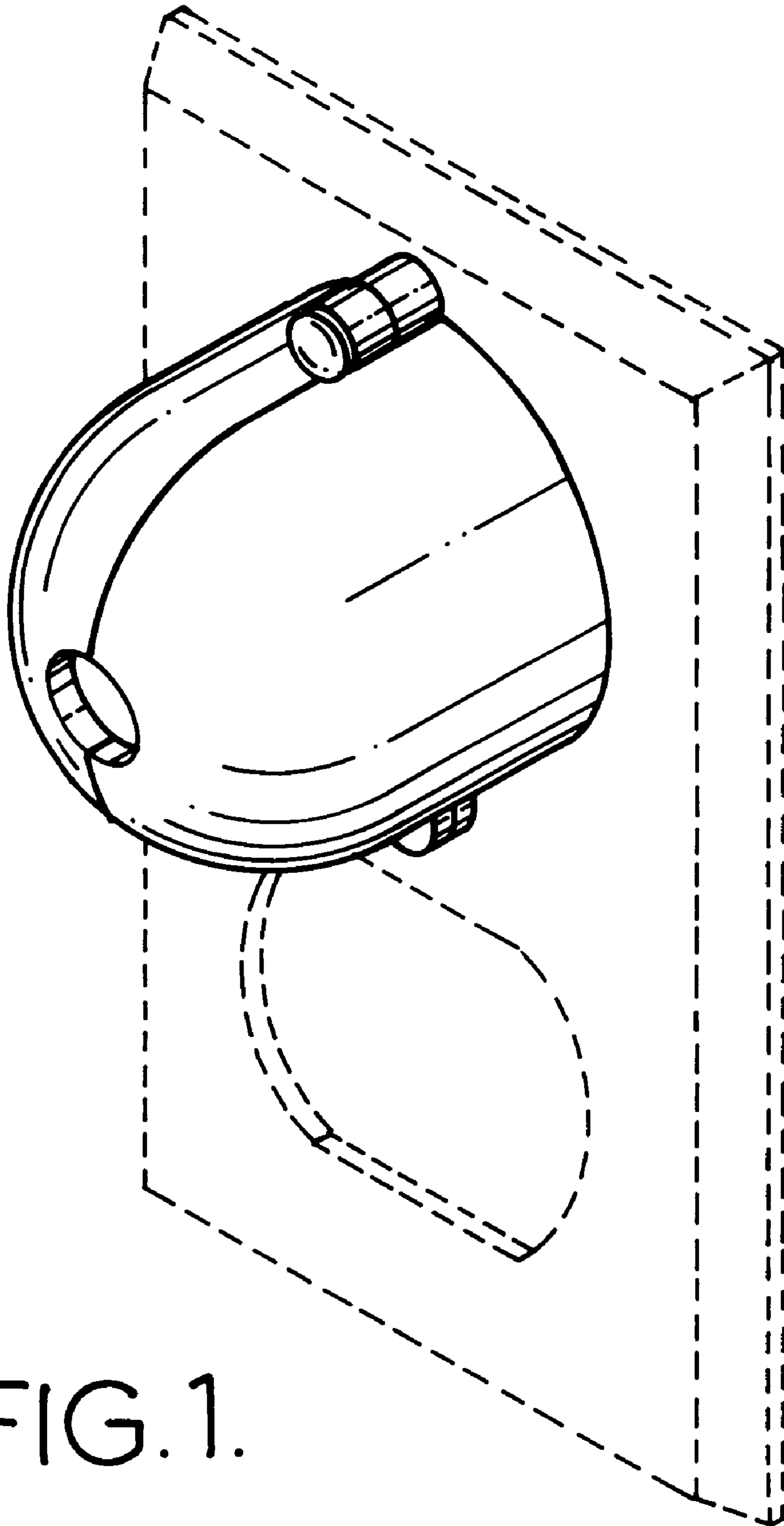


FIG. 1.

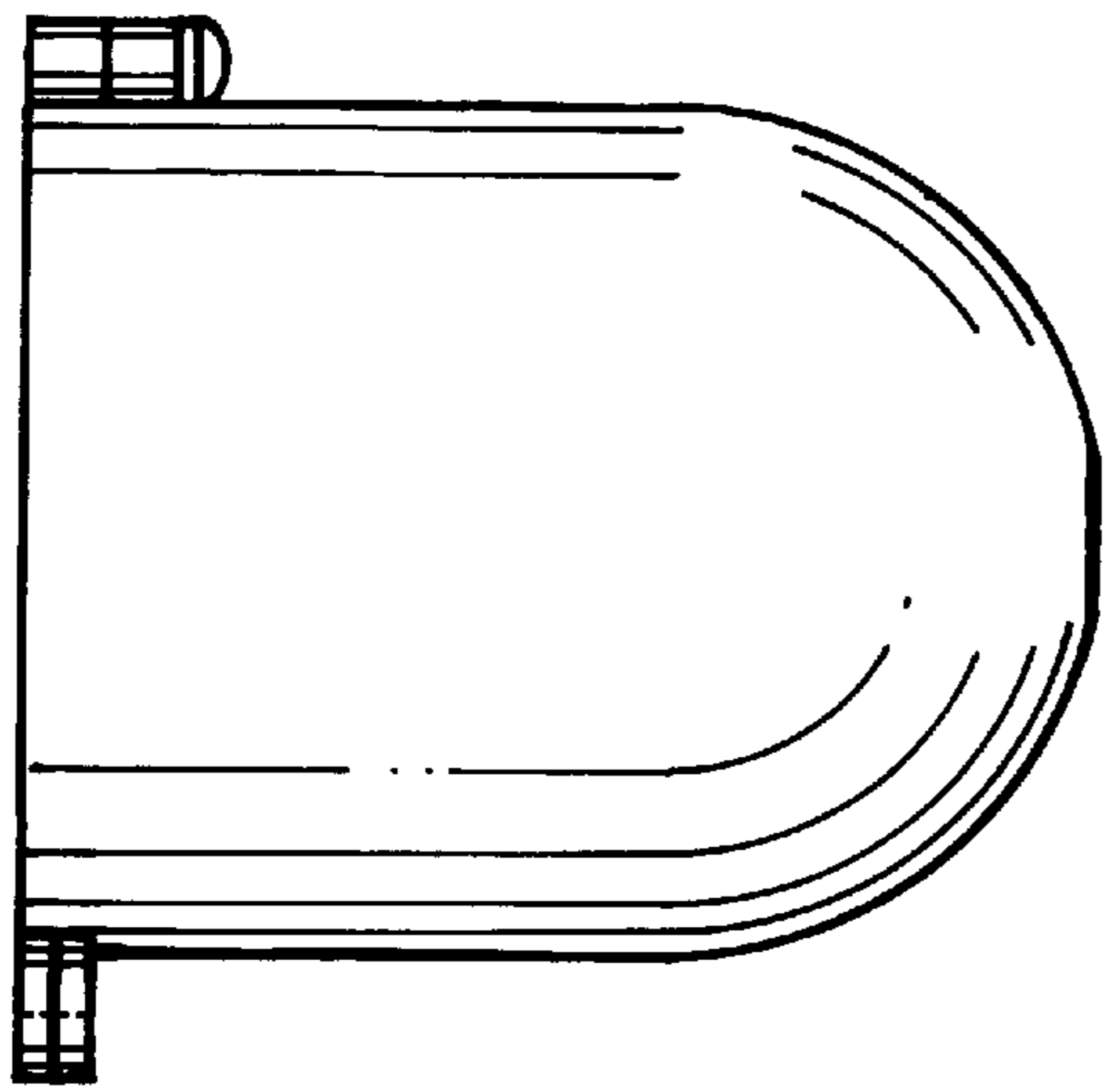


FIG. 4.

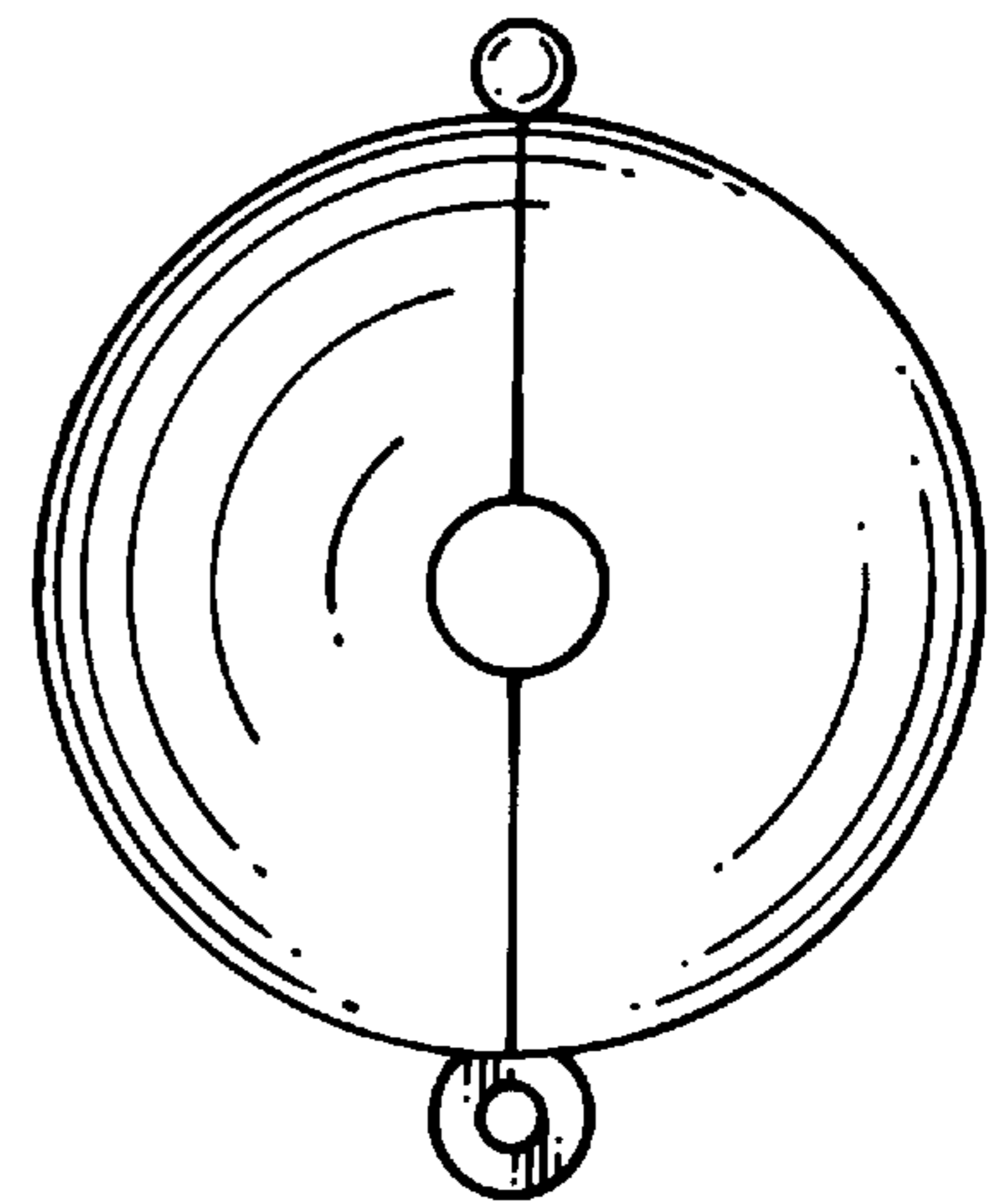
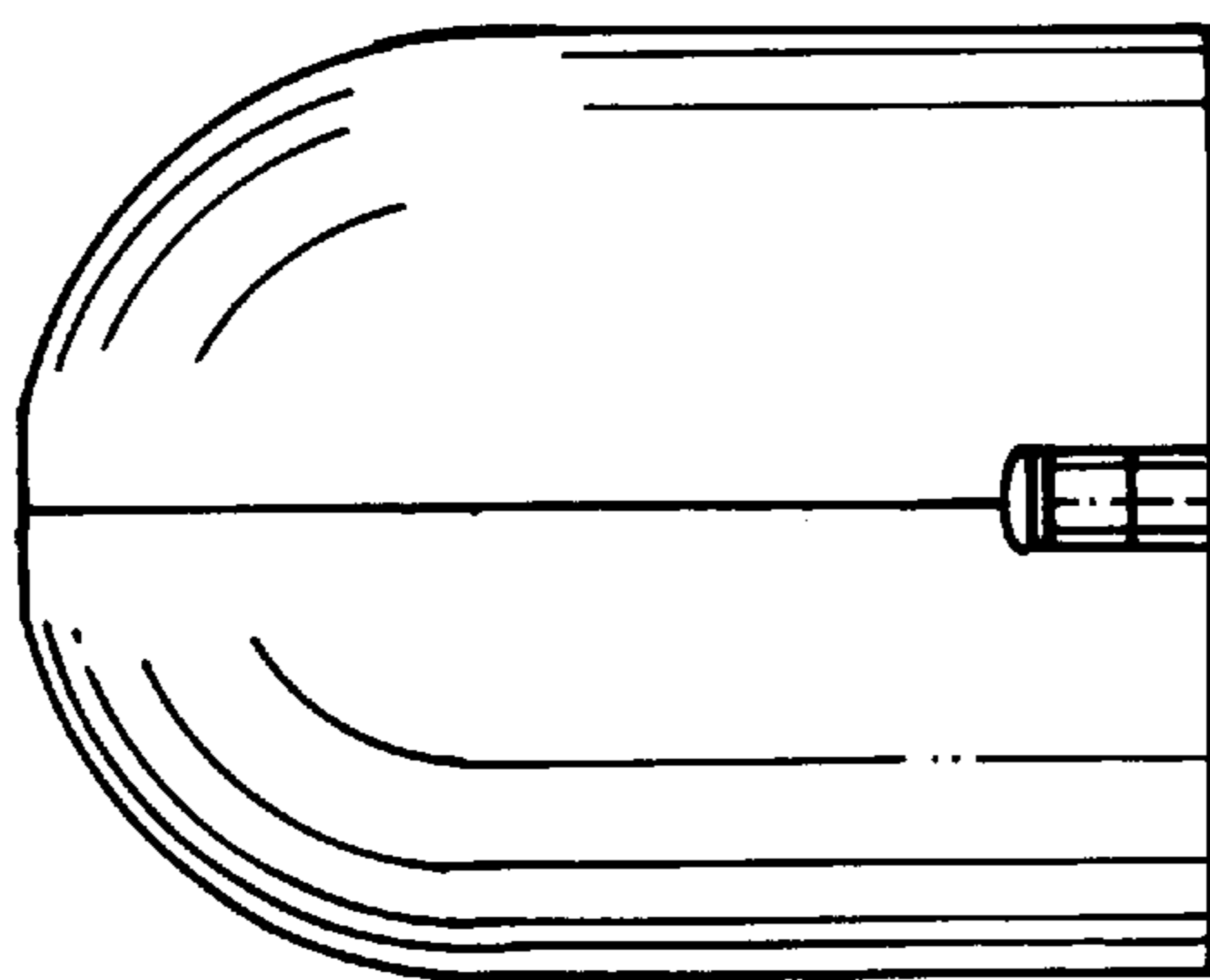


FIG. 2.

FIG. 5.



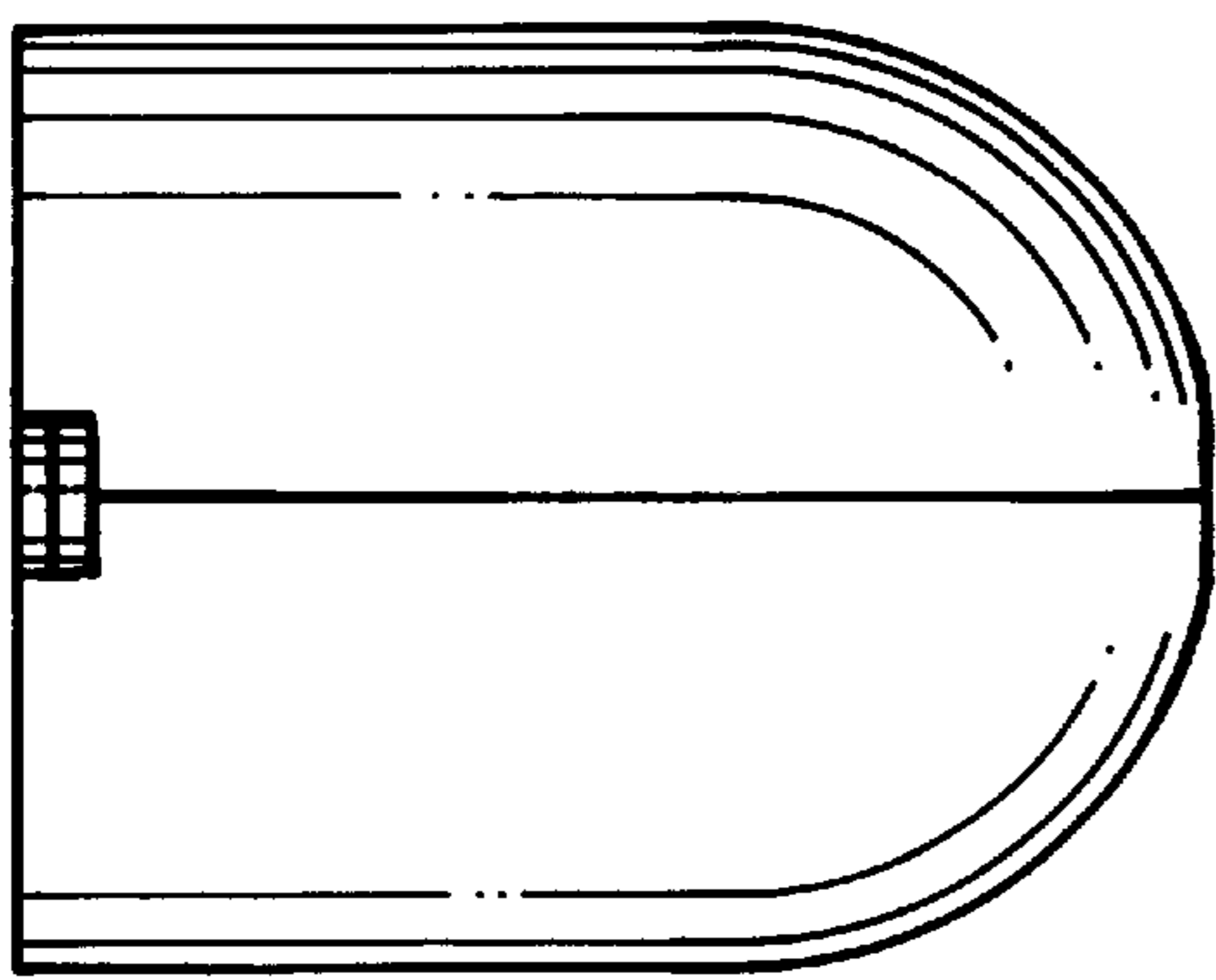


FIG. 6.

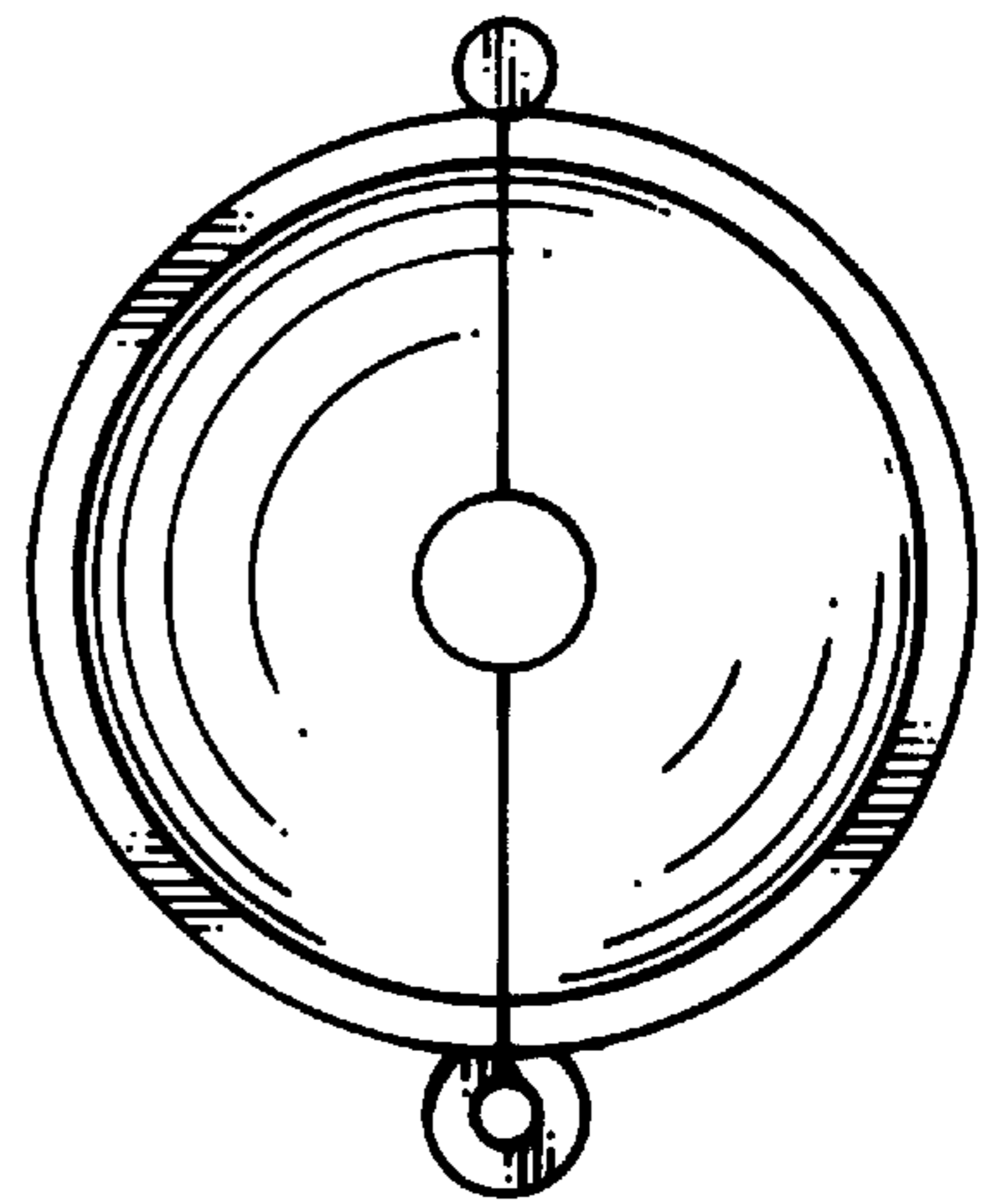


FIG. 3.