



US00D415112S

United States Patent [19]

[11] Patent Number: Des. 415,112

Henry

[45] Date of Patent: ** Oct. 12, 1999

[54] SET OF CONNECTORS FOR A MODULAR CABLE PROTECTOR

OTHER PUBLICATIONS

[76] Inventor: **Stephen K. Henry**, 3815 Northbrook Dr., C-21, Boulder, Colo. 80302

Hose and cable ramp on p. 28 of Raydek Industrial Supply Products Catalog, Oct. 1993.

[**] Term: **14 Years**

Elasco brochure.

Superior Flamefighter Corporation.

[21] Appl. No.: **29/070,954**

Cablesafe Ramp.

ITW Irathane Systems.

[22] Filed: **Apr. 10, 1997**

Yellow Jacket protectors.

Kelsey cable crossovers.

Related U.S. Application Data

Primary Examiner—Joel Sincavage

Attorney, Agent, or Firm—Dorr, Carson, Sloan & Birney, P.C.

[63] Continuation of application No. 29/053,828, Apr. 30, 1996, abandoned.

[57] CLAIM

[51] **LOC (6) Cl.** **13-03**

The ornamental design for the set of connectors for a modular cable protector, as shown and described.

[52] **U.S. Cl.** **D13/155**

[58] **Field of Search** D13/154, 155, D13/156; D6/582; D25/158; 428/53; 174/136, 68.1; 104/275; 52/284, 590.1, 591.1, 592.1, 589.1, 590.2, 590; 430/364

DESCRIPTION

[56] References Cited

FIG. 1 is a perspective view of the set of connectors for a modular cable protector.

FIG. 2 is a top view of the set of connectors for a modular cable protector.

FIG. 3 is a left side view of the set of connectors for a modular cable protector.

FIG. 4 is a right side view of the set of connectors for a modular cable protector.

FIG. 5 is a bottom view of the set of connectors for a modular cable protector.

FIG. 6 is a front view of the set of connectors for a modular cable protector; and,

FIG. 7 is a rear view of the set of connectors for a modular cable protector.

The broken line showing throughout the figures is included for the purpose of illustrating the cable protector only and forms no part of the claimed design.

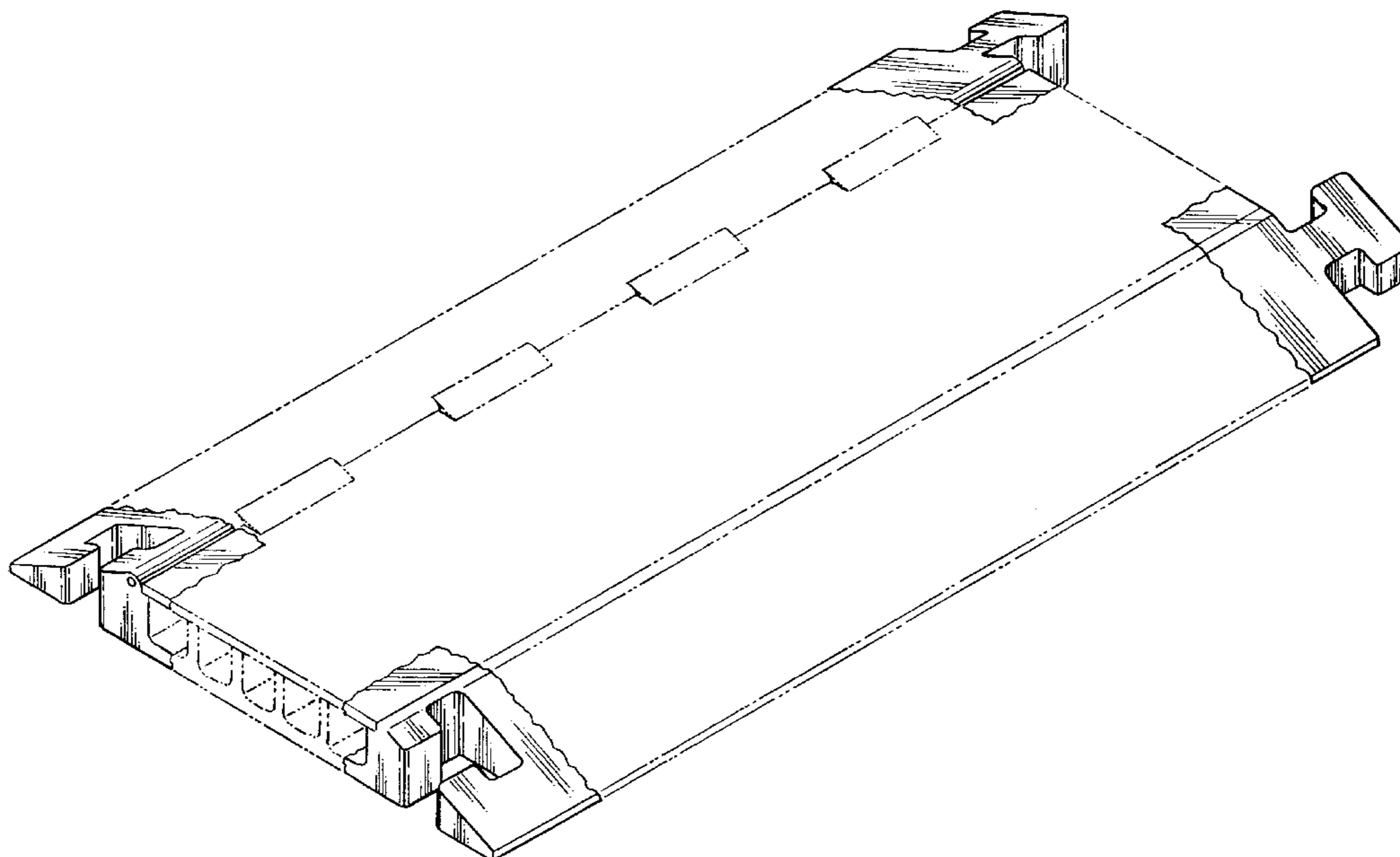
U.S. PATENT DOCUMENTS

1,084,597	1/1914	Anft	52/284	X
1,398,695	11/1921	Hull	403/364	X
1,666,284	4/1928	Gilchrist	522/590	X
1,914,830	6/1933	Kostohris	.		
2,196,937	4/1940	Oslund	52/570	
2,460,330	2/1949	Baccaro	52/570	
4,704,832	11/1987	Vassiliadis	52/570	
5,076,534	12/1991	Adam	52/591.1	
5,095,822	3/1992	Martin	104/275	
5,149,109	9/1992	Jelinek et al.	277/199	
5,267,367	12/1993	Wegmann, Jr.	14/69.5	
5,777,266	7/1998	Herman et al.	403/364	X

FOREIGN PATENT DOCUMENTS

WO 94/01907 1/1994 WIPO .

1 Claim, 3 Drawing Sheets



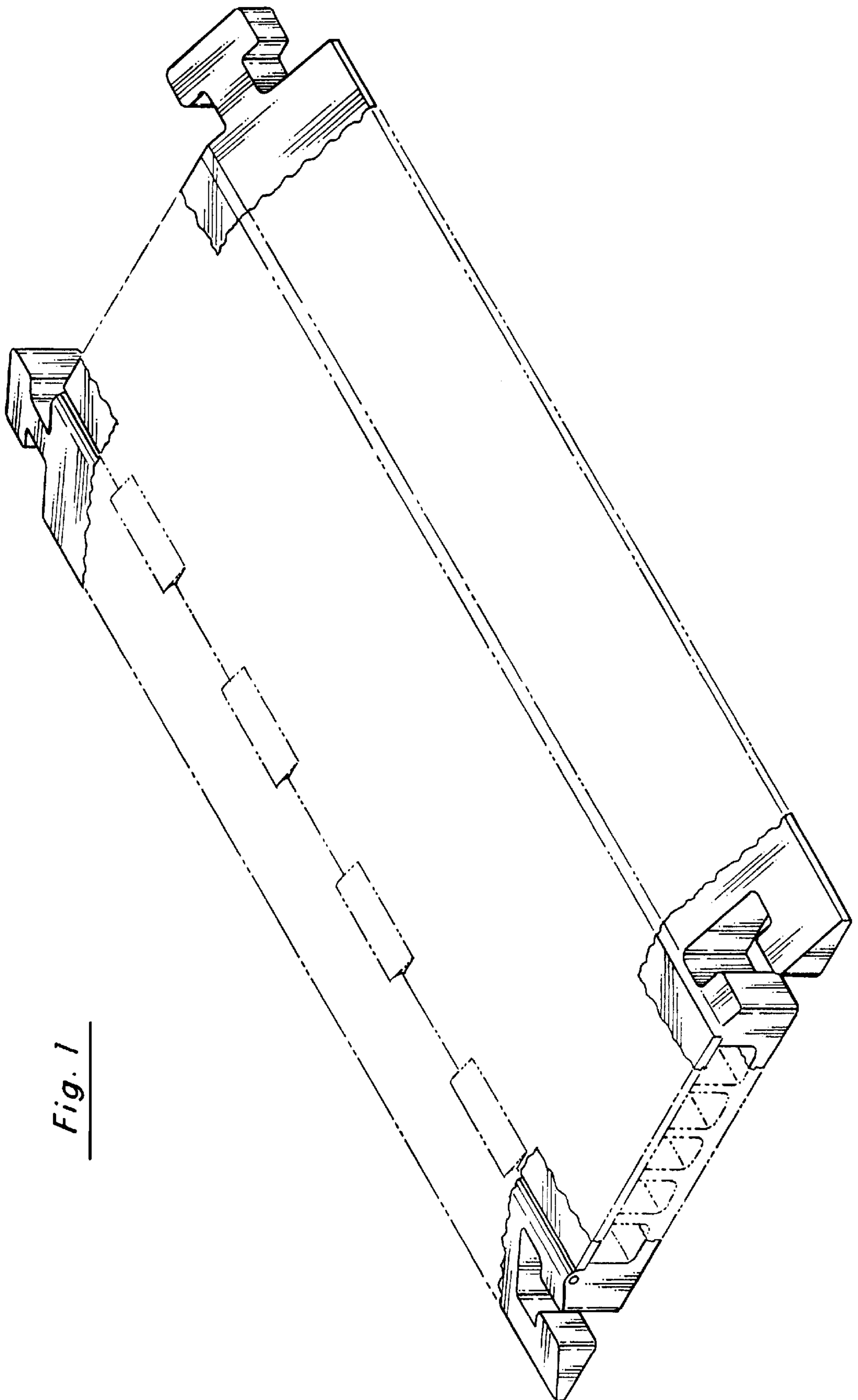


Fig. 1

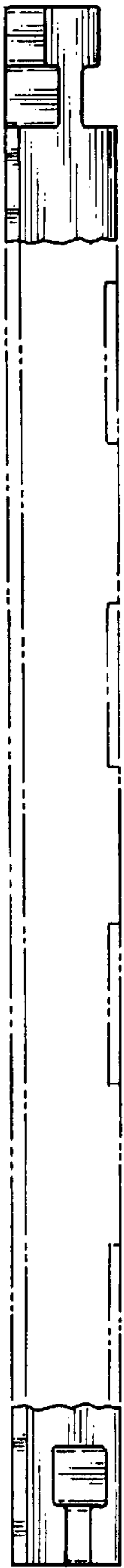


Fig. 3

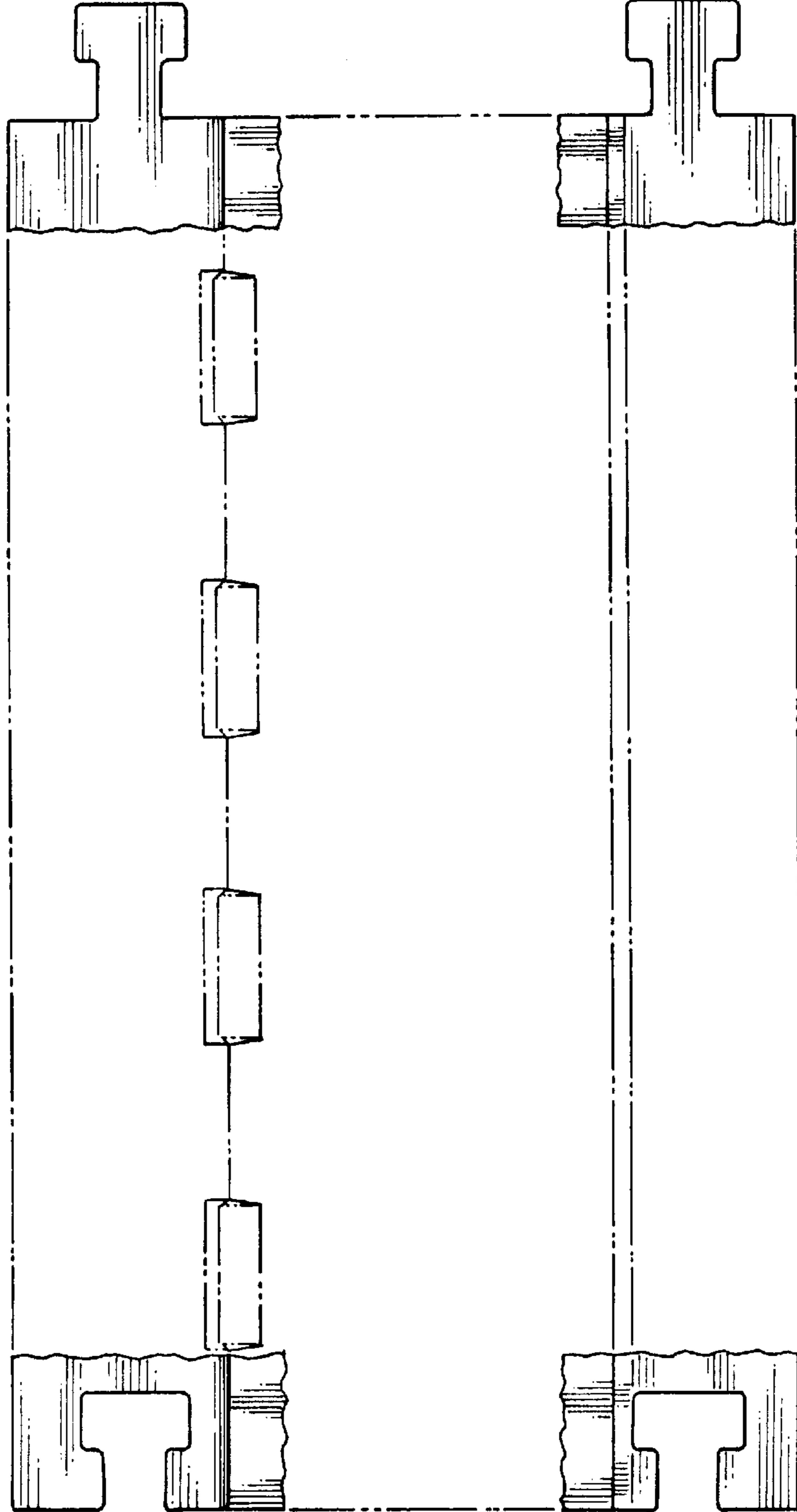


Fig. 2

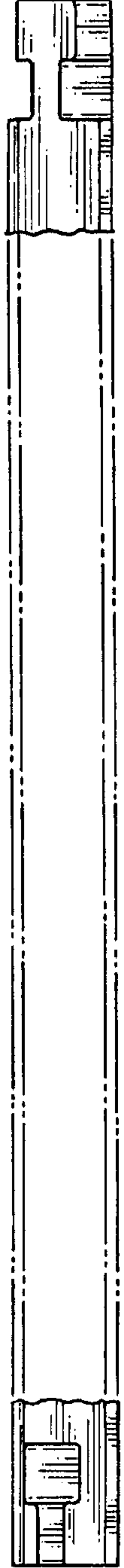


Fig. 4

Fig. 7

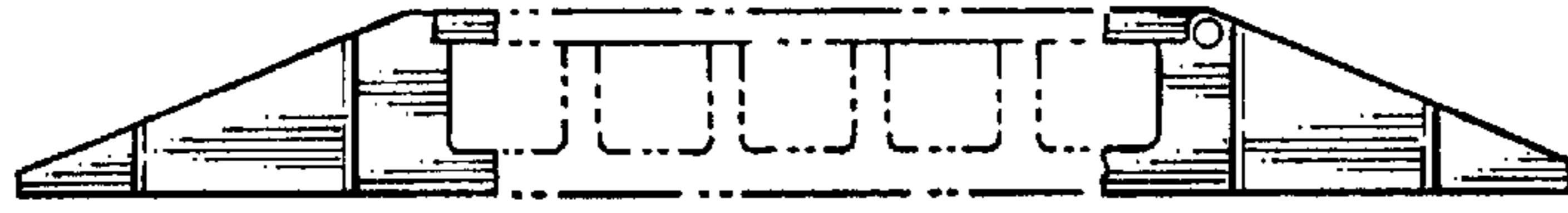


Fig. 5

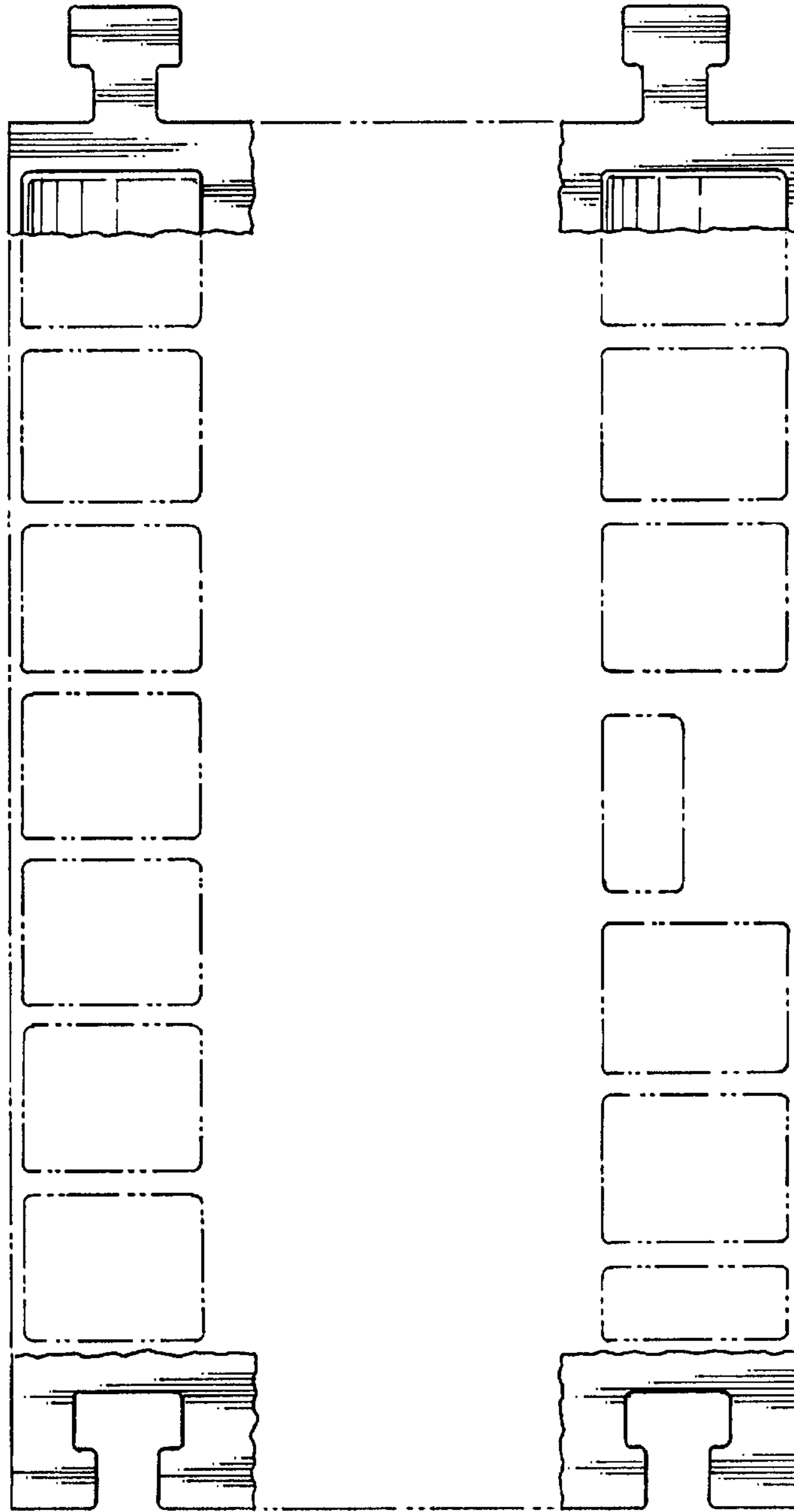


Fig. 6

