



US00D415109S

# United States Patent [19]

Read et al.

[11] Patent Number: **Des. 415,109**

[45] Date of Patent: **\*\* Oct. 12, 1999**

[54] **BURIED FIBER TERMINAL**

4,382,155 5/1983 Jaycox ..... 174/38 X  
5,235,134 8/1993 Laycox ..... 174/38 X

[75] Inventors: **Clifford Dean Read**, Stittsville; **Peter Wells**, Ottawa, both of Canada

Primary Examiner—Joel Sincavage

[73] Assignee: **Nortel Networks Corporation**, Montreal, Canada

[57] **CLAIM**

[\*\*] Term: **14 Years**

The ornamental design for a buried fiber terminal, as shown and described.

[21] Appl. No.: **29/092,242**

[22] Filed: **Aug. 14, 1998**

[51] **LOC (6) Cl.** ..... **13-03**

[52] **U.S. Cl.** ..... **D13/152**

[58] **Field of Search** ..... D13/152, 184;  
174/37, 38; 220/848

### DESCRIPTION

FIG. 1 is an exploded top perspective view from the front and one side showing the buried fiber terminal of the design; FIG. 2 is a top plan view thereof; FIG. 3 is a front elevational view thereof; FIG. 4 is a rear elevational view thereof; FIG. 5 is a left side elevational view thereof; FIG. 6 is a right side elevational view thereof; and, FIG. 7 is a left side elevational view thereof shown in its environment of use.

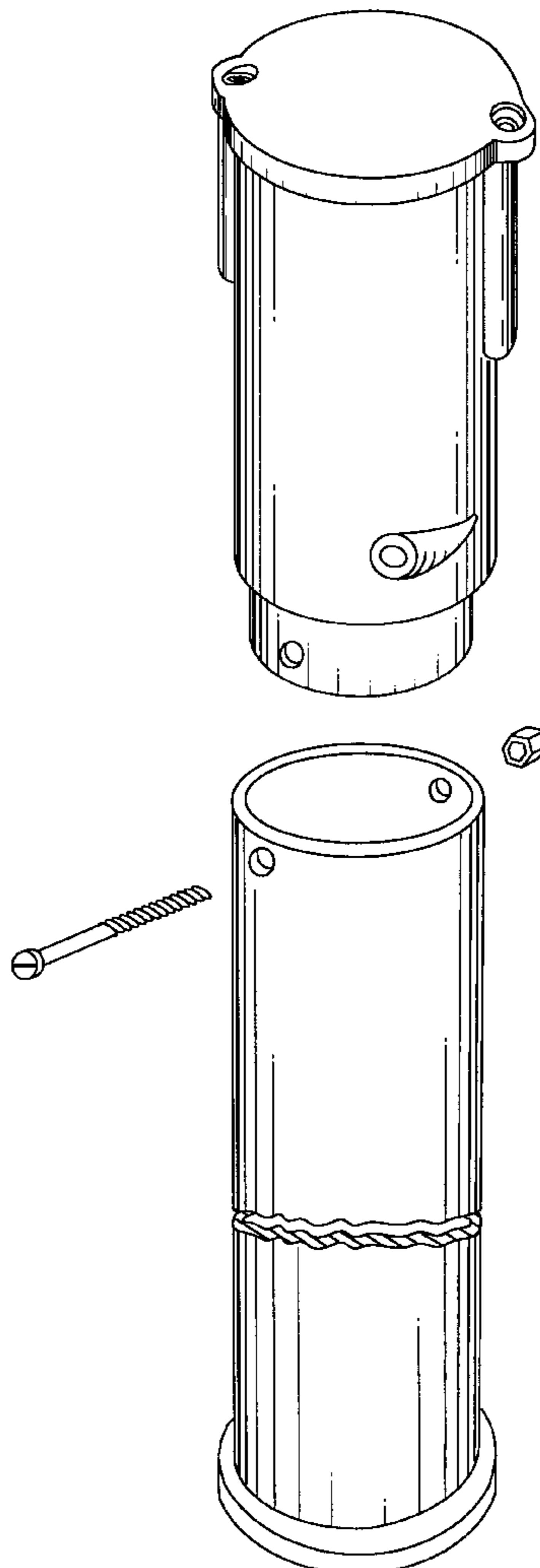
The terminal is shown broken away in FIGS. 1 and 3–7 to indicate indeterminate length. The broken line showing in FIG. 7 is included for the purpose of illustrating environmental elements only and forms no part of the claimed design.

### [56] References Cited

#### U.S. PATENT DOCUMENTS

|            |         |               |       |           |
|------------|---------|---------------|-------|-----------|
| D. 354,739 | 1/1995  | Durham et al. | ..... | D13/184   |
| 3,033,912  | 5/1962  | Phillips      | ..... | D13/152 X |
| 4,097,683  | 6/1978  | Summers       | ..... | 174/38    |
| 4,242,533  | 12/1980 | Cott          | ..... | 174/38    |
| 4,243,834  | 1/1981  | Logioco       | ..... | 174/38    |

**1 Claim, 5 Drawing Sheets**



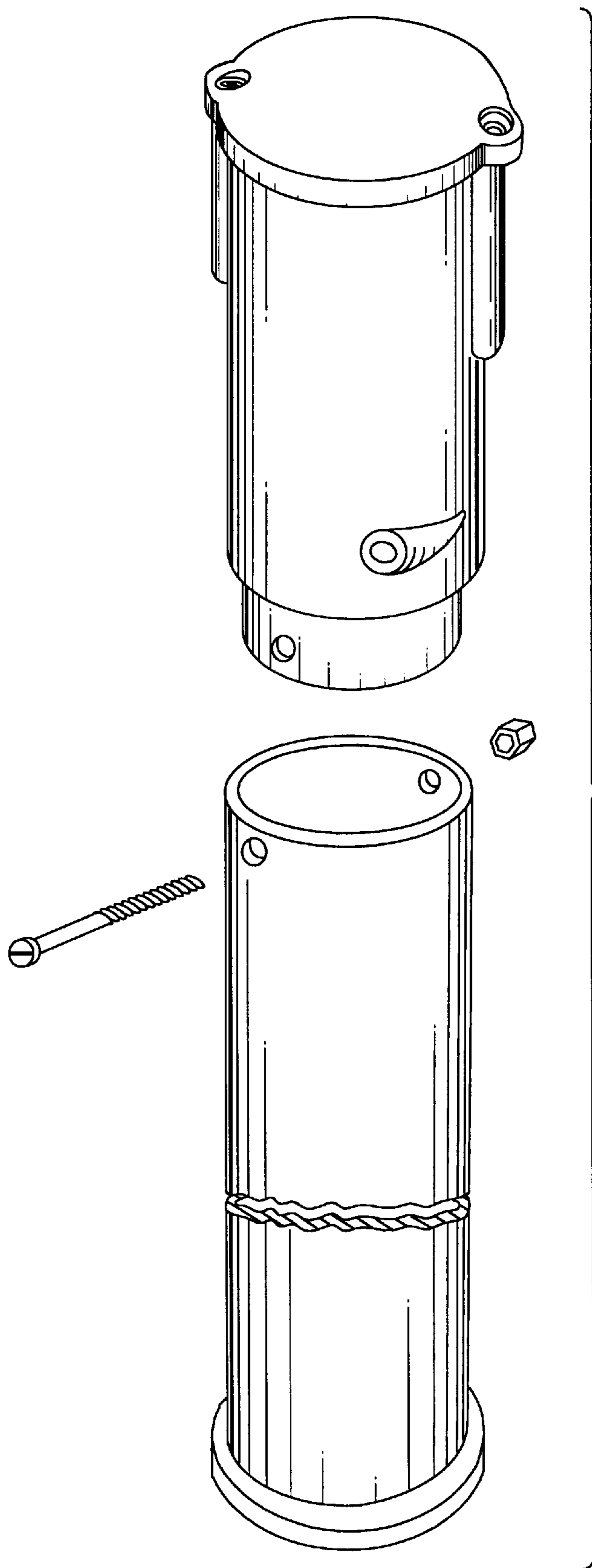


FIG. 1

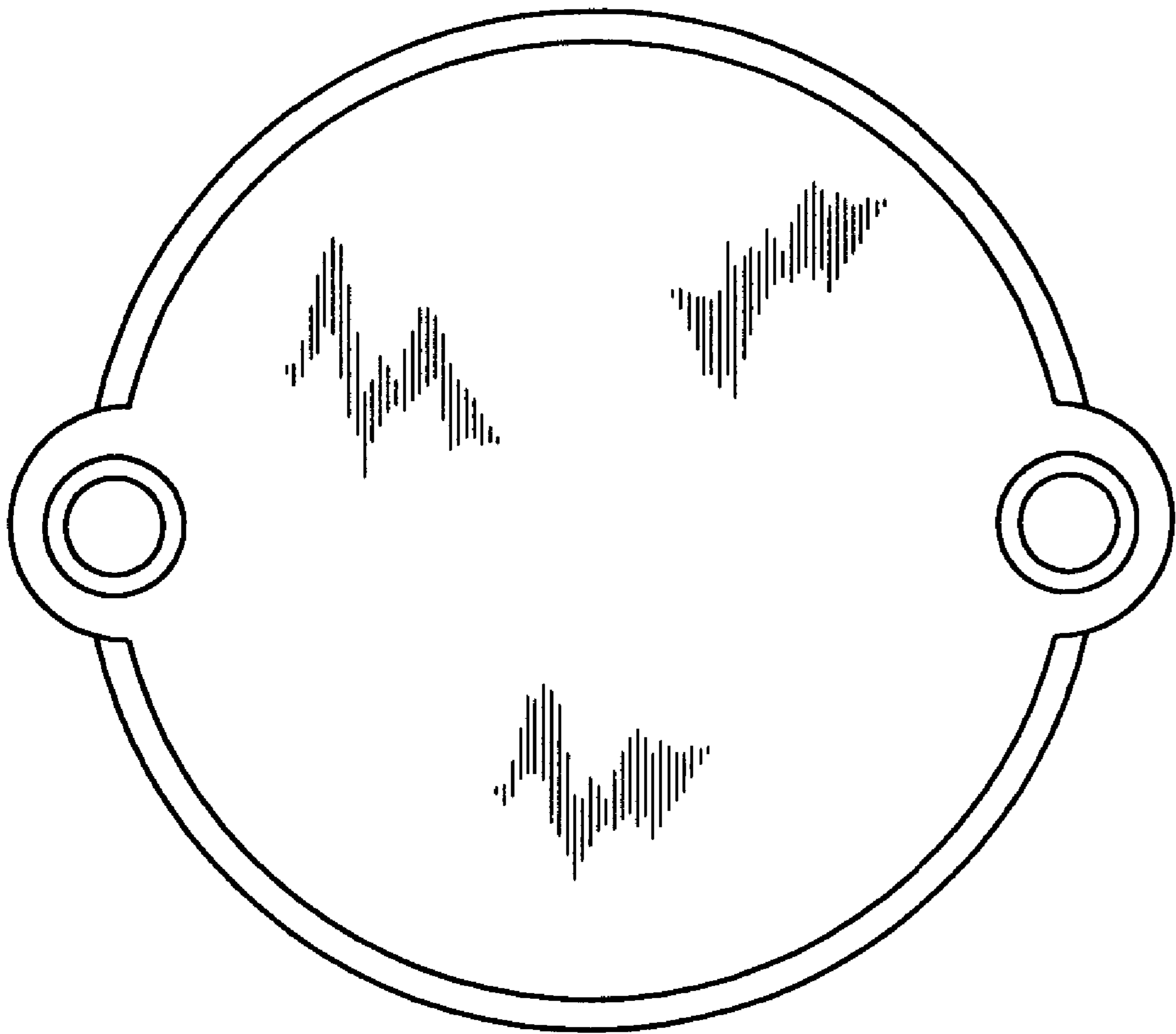


FIG. 2

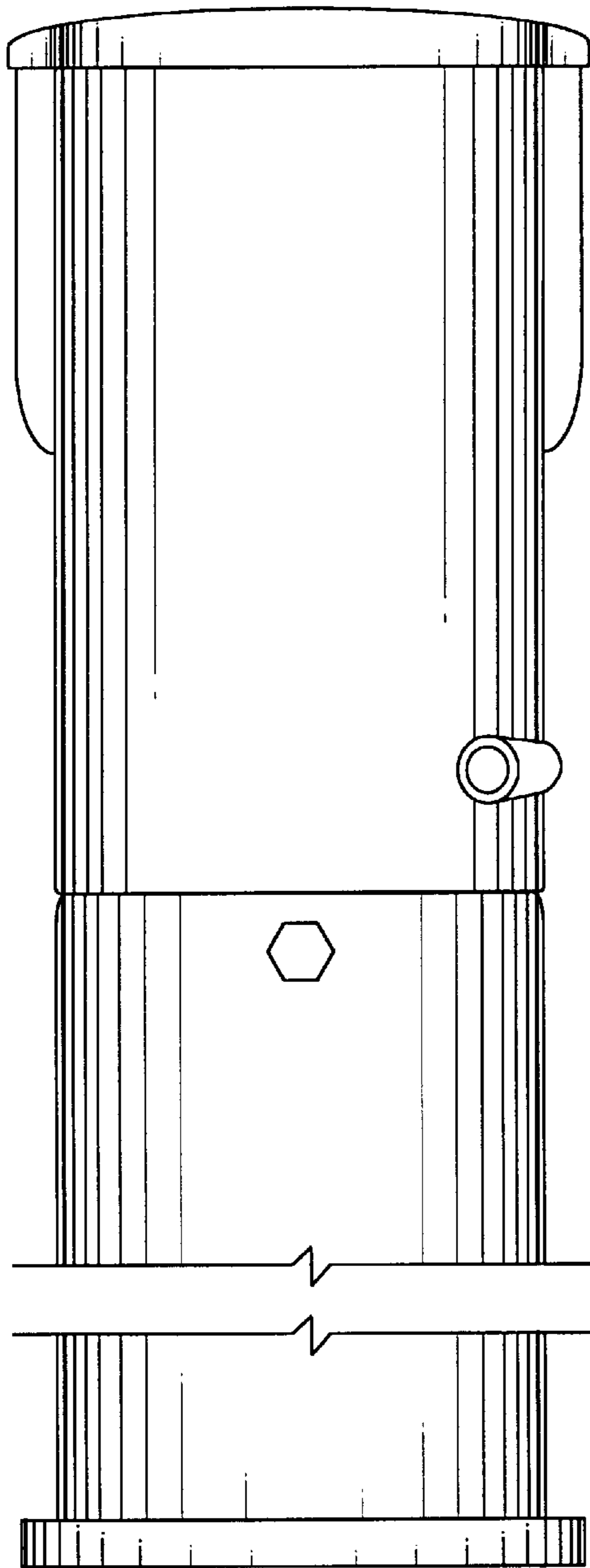


FIG. 3

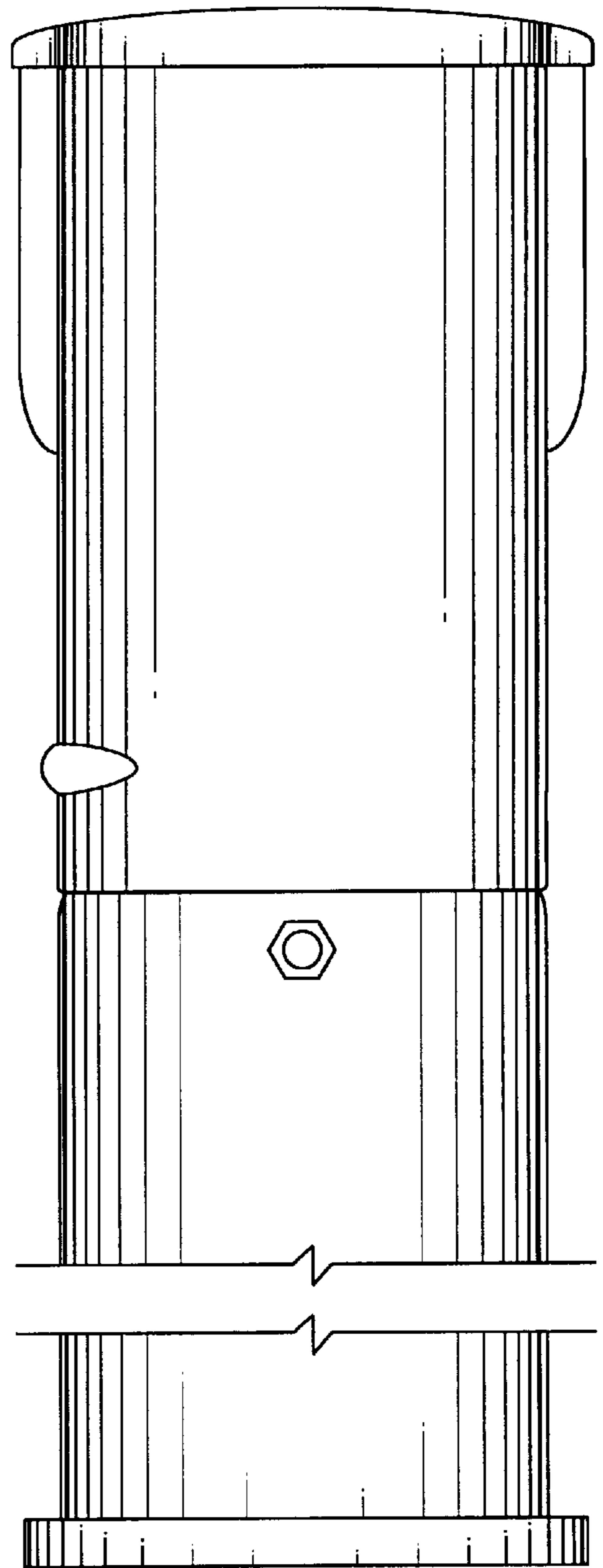


FIG. 4

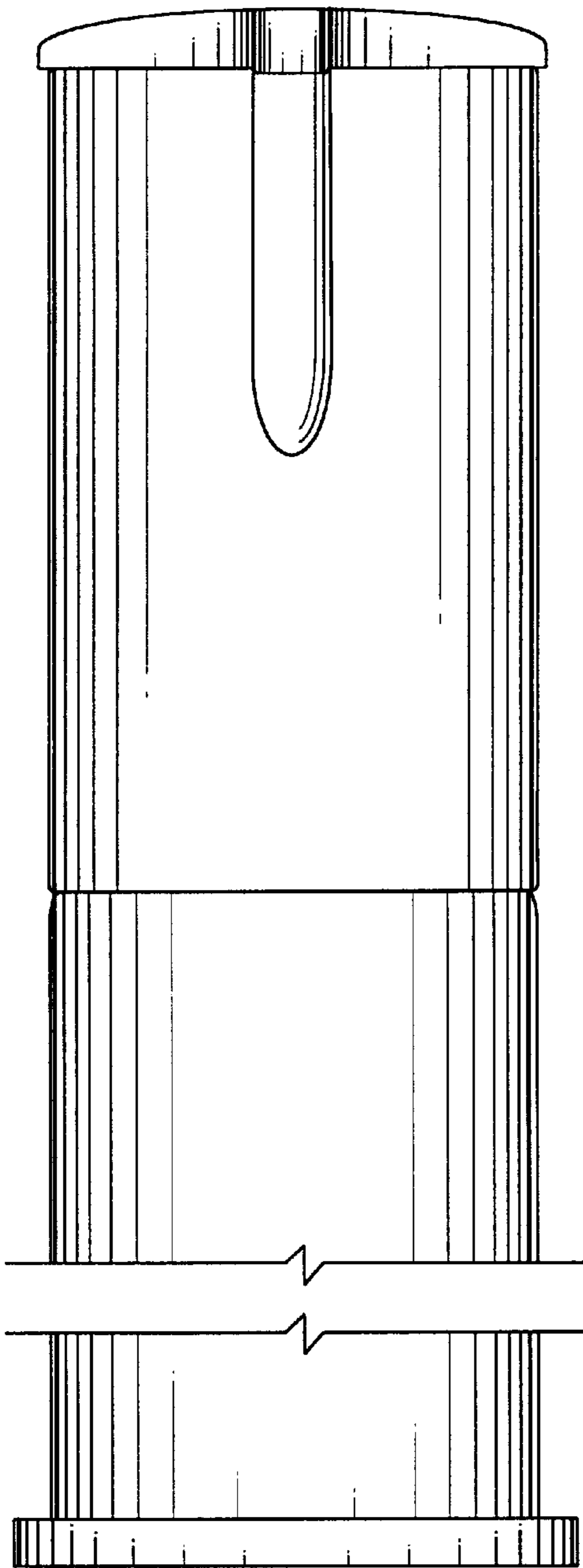


FIG. 5

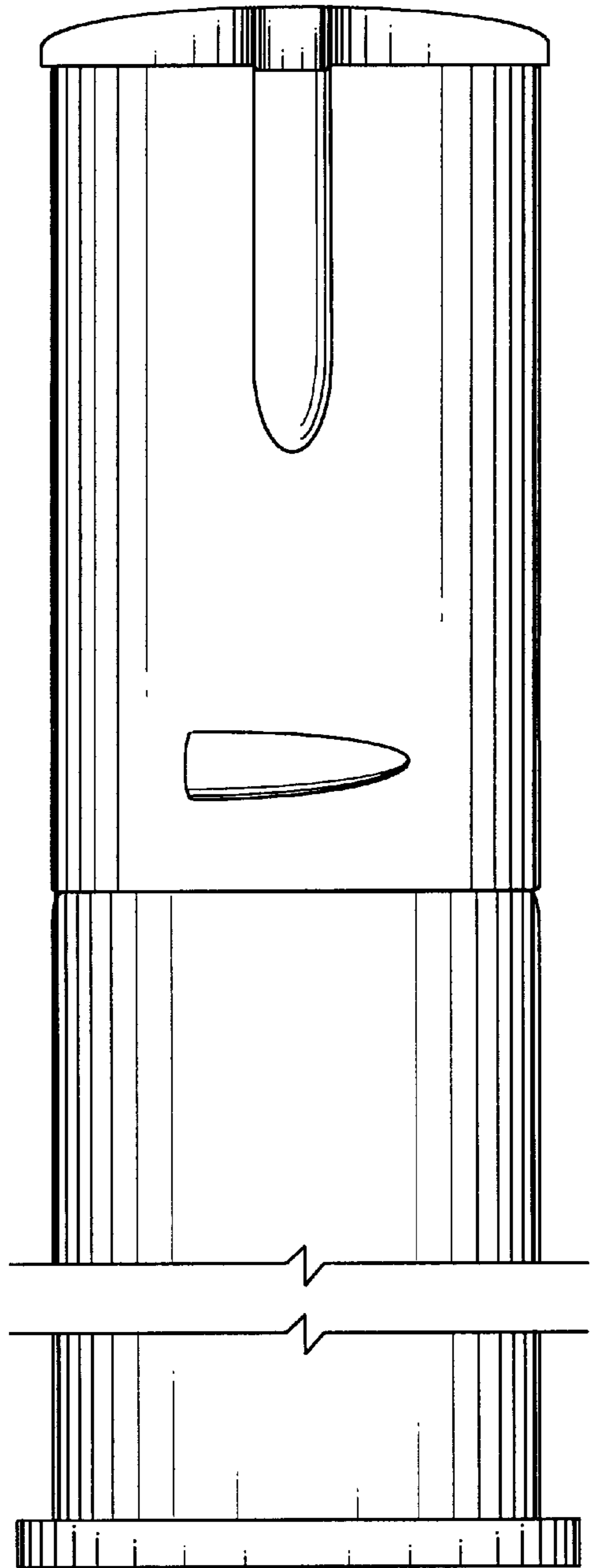


FIG. 6

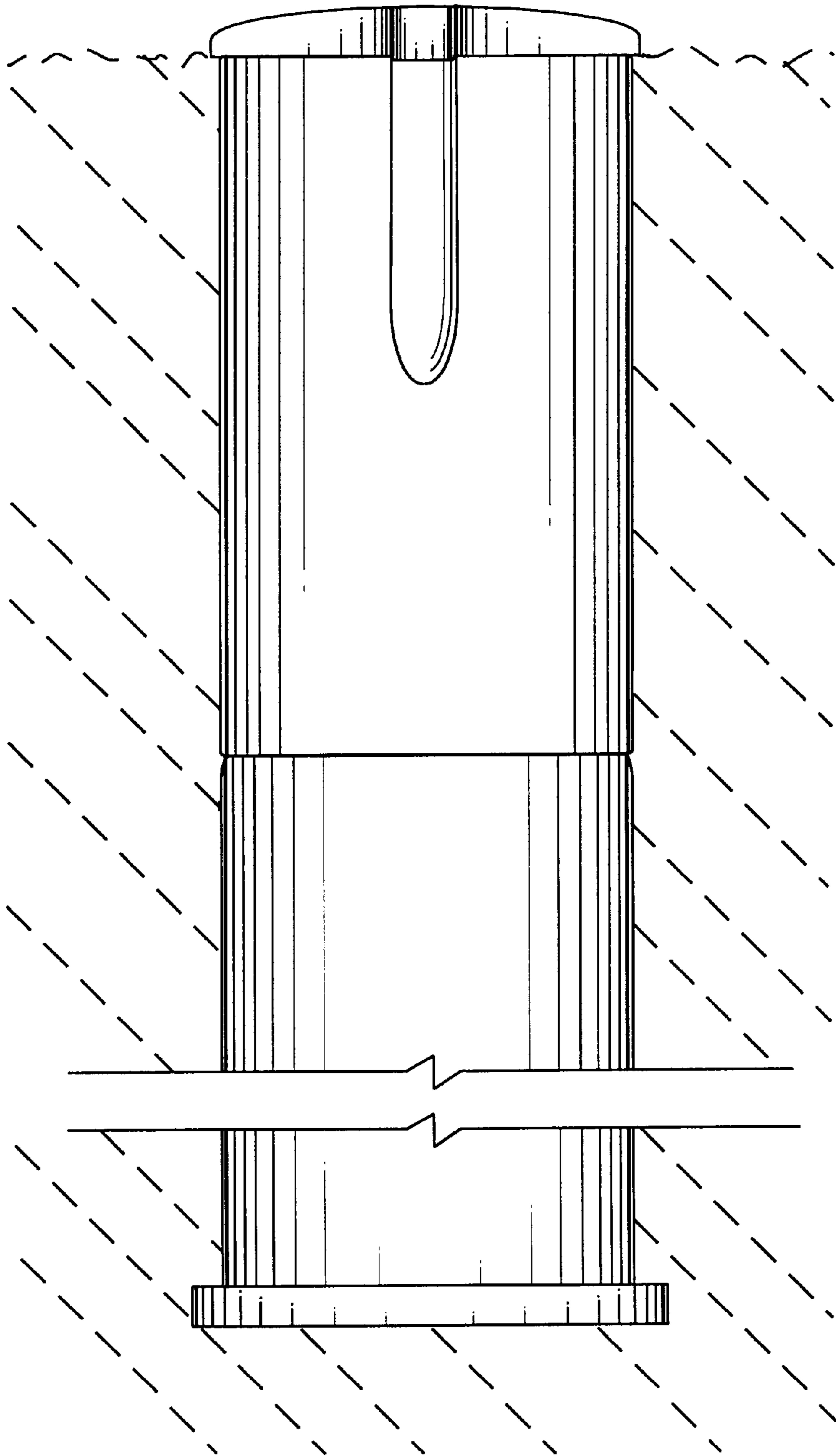


FIG. 7