



US00D415106S

United States Patent [19]

[11] **Patent Number: Des. 415,106**

Wu et al.

[45] **Date of Patent: ** Oct. 12, 1999**

[54] **ELECTRICAL CONNECTOR**

5,169,340 12/1992 Nakata et al. 439/607
5,254,010 10/1993 Davis 439/108
5,637,014 6/1997 Sukegawa et al. 439/607

[75] Inventors: **Kun-Tsan Wu**, Tu-Chen; **Susan Hsu**,
Hsin-Chu Hsien, both of Taiwan

Primary Examiner—Alan P. Douglas
Assistant Examiner—Lavone D. Tabor

[73] Assignee: **Hon Hai Precision Ind. Co., Ltd.**,
Taipei Hsien, Taiwan

[57] **CLAIM**

[**] Term: **14 Years**

The ornamental design for an electrical connector, as shown.

[21] Appl. No.: **29/074,705**

DESCRIPTION

[22] Filed: **Aug. 8, 1997**

FIG. 1 is a perspective view of an electrical connector showing my new design;
FIG. 2 is a front elevational view thereof;
FIG. 3 is a rear elevational view thereof;
FIG. 4 is a left side elevational view thereof;
FIG. 5 is a right side elevational view thereof;
FIG. 6 is a top plan view thereof; and,
FIG. 7 is a bottom plan view thereof.

[51] **LOC (6) Cl.** **13-03**

[52] **U.S. Cl.** **D13/147**

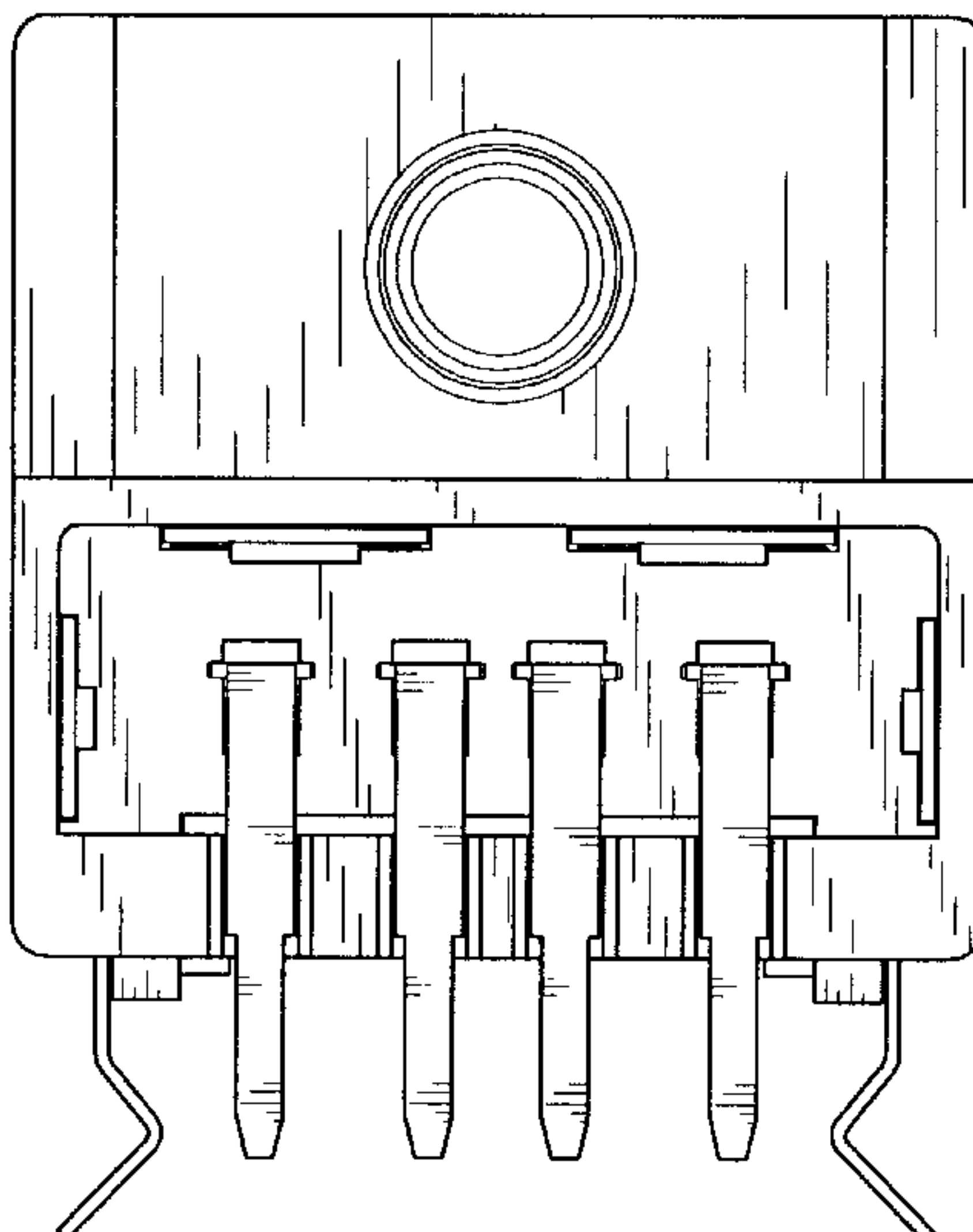
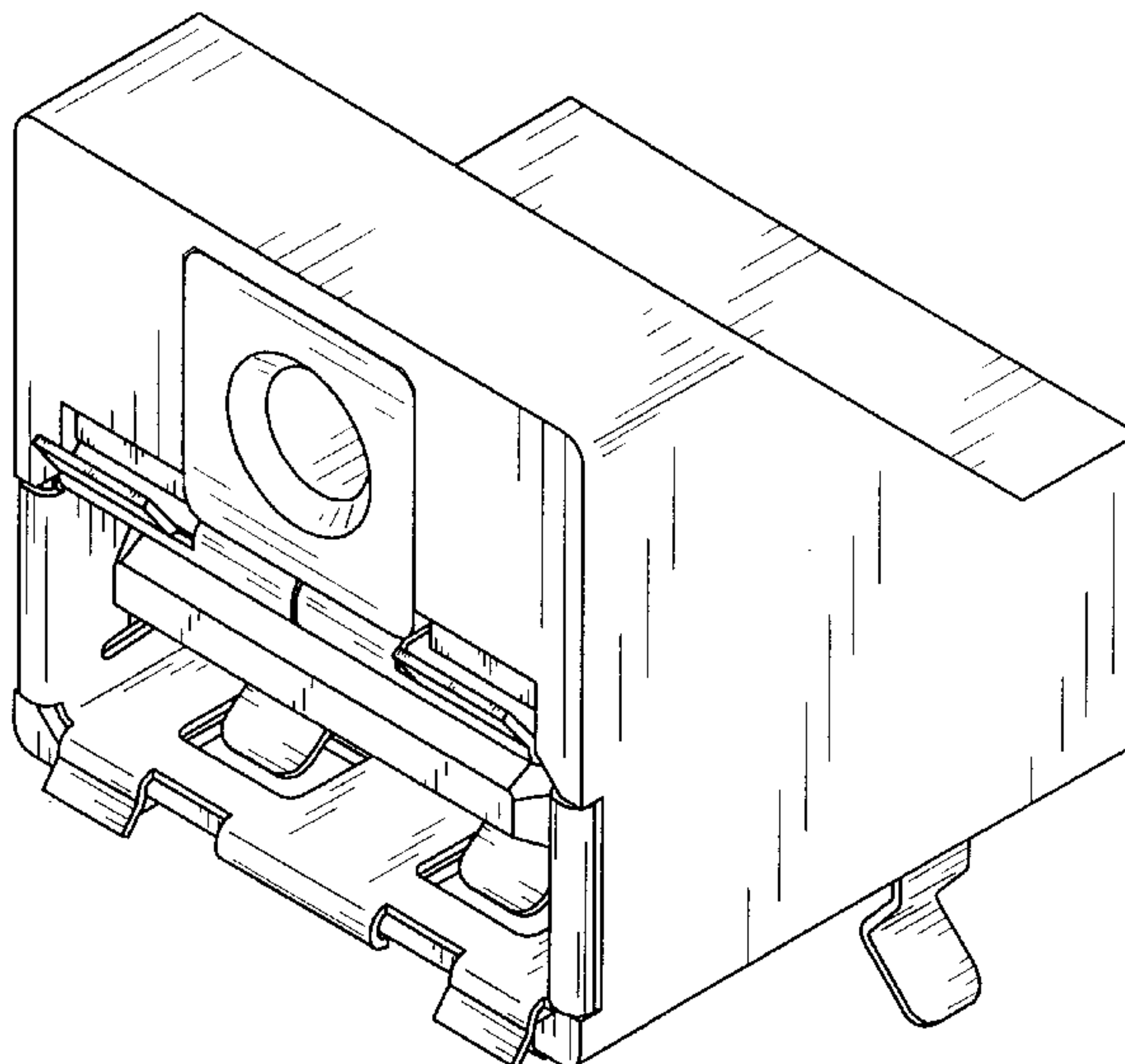
[58] **Field of Search** D13/133, 146,
D13/147; 439/95, 108, 188, 607-610, 676

[56] **References Cited**

U.S. PATENT DOCUMENTS

D. 377,007 12/1996 Tan et al. D13/147

1 Claim, 7 Drawing Sheets



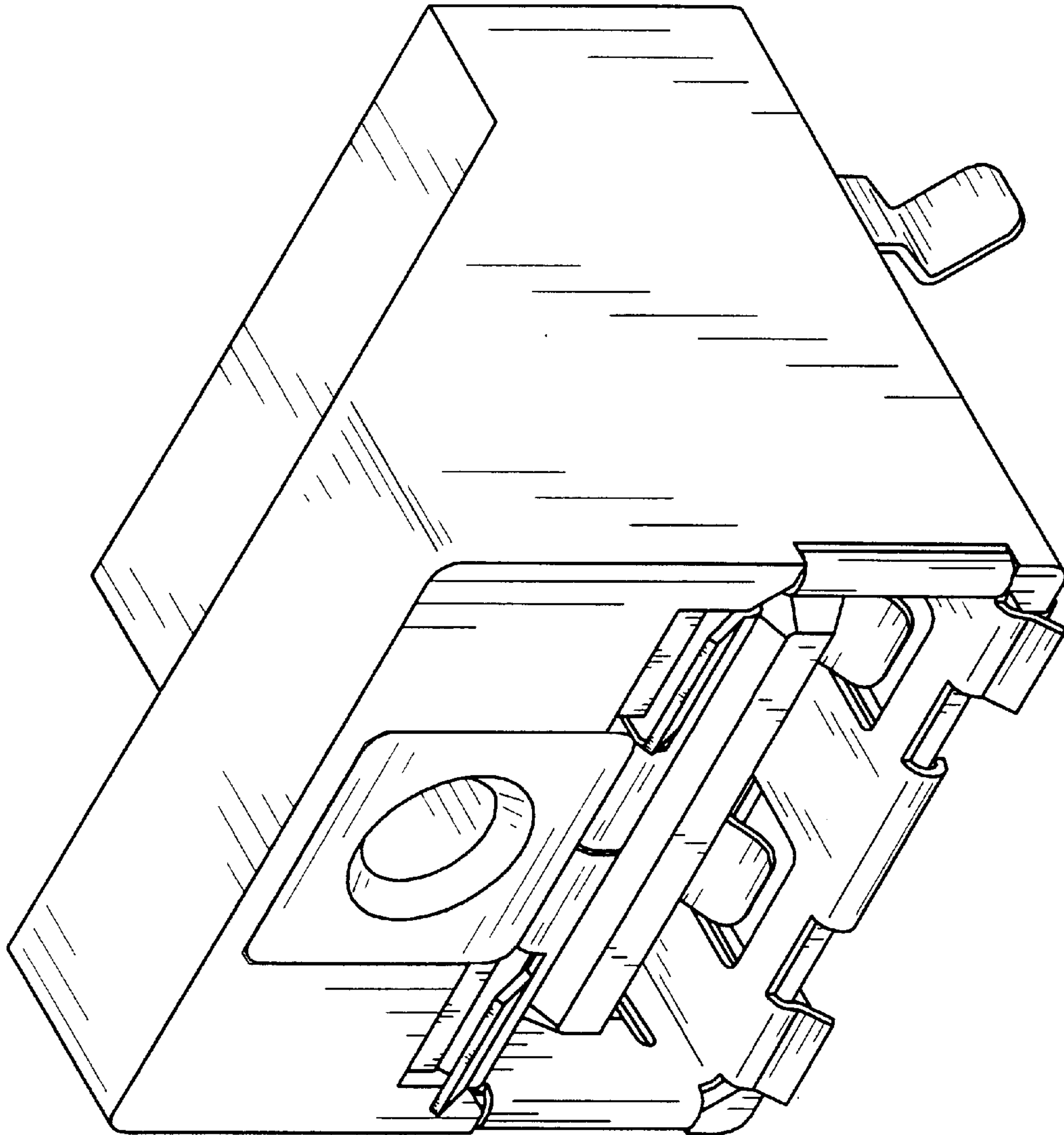


FIG.1

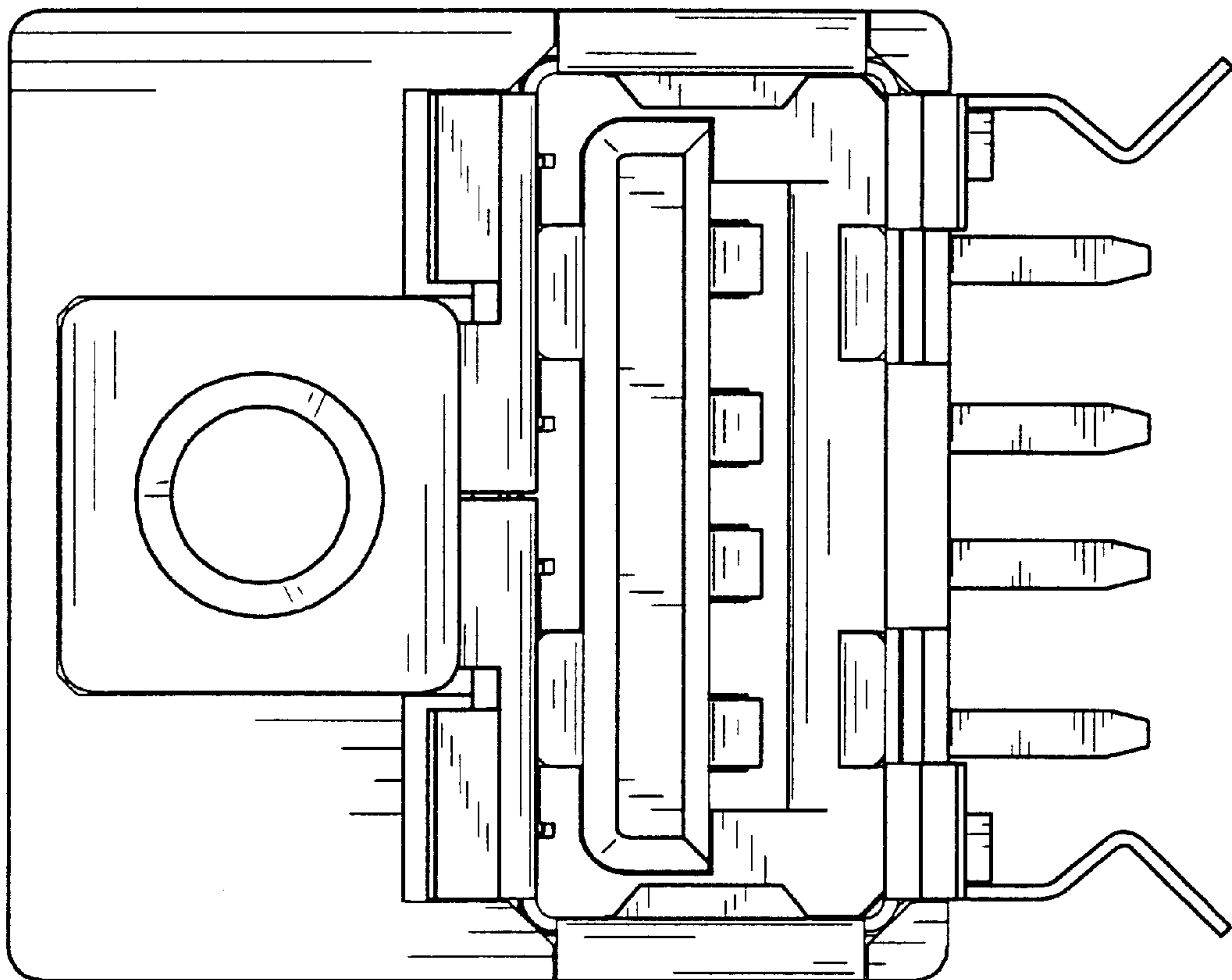


FIG.2

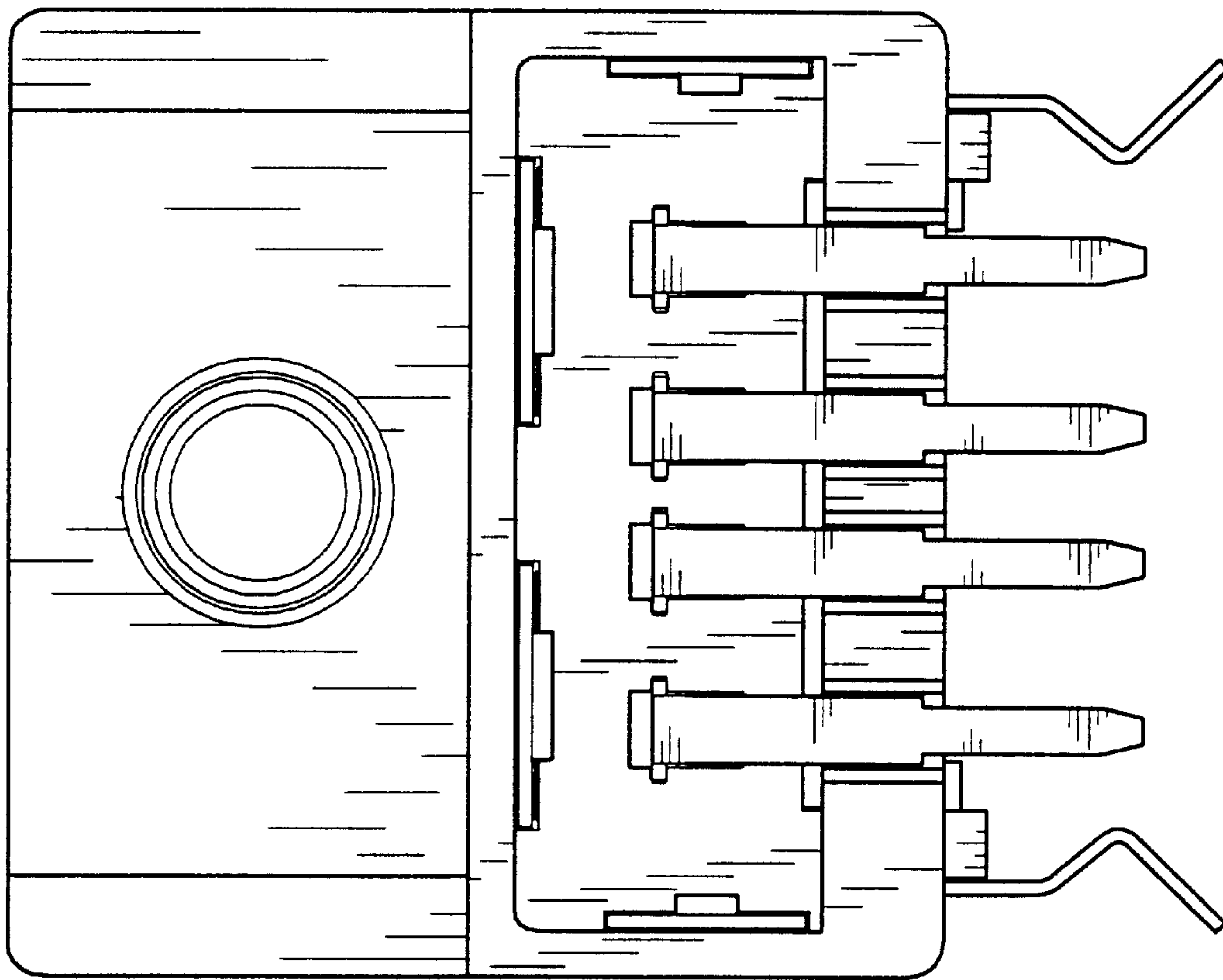


FIG.3

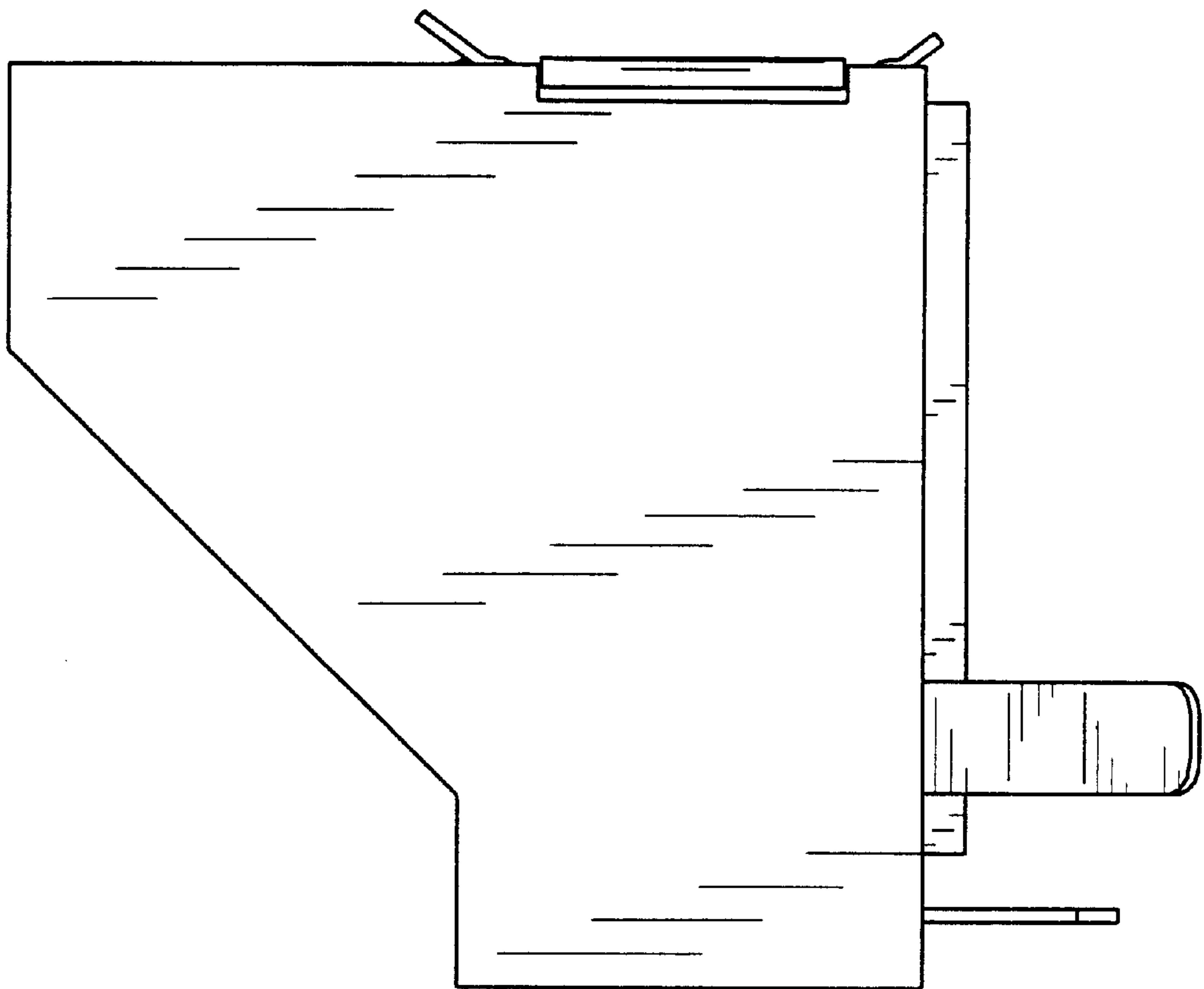


FIG.4

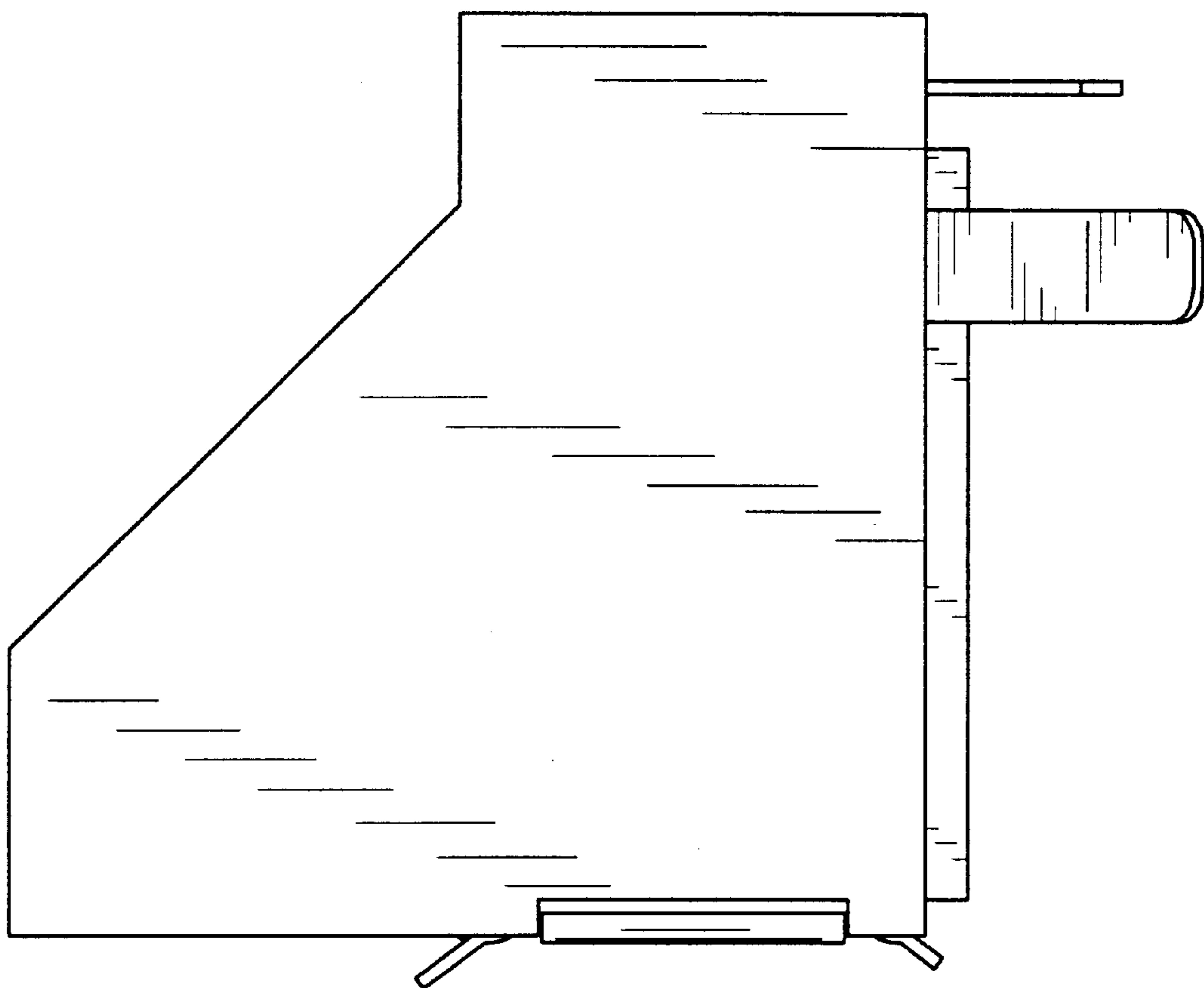


FIG.5

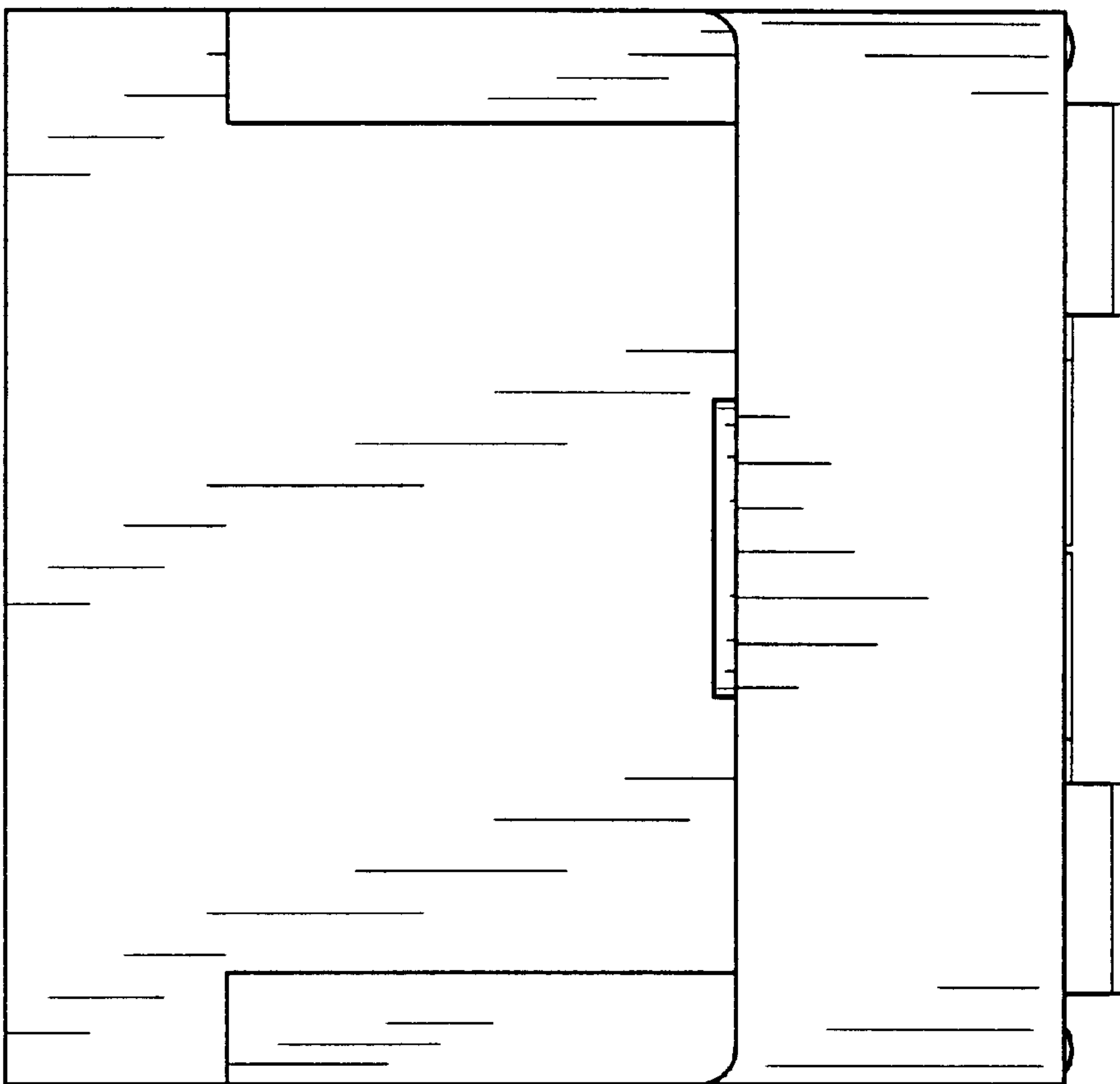


FIG.6

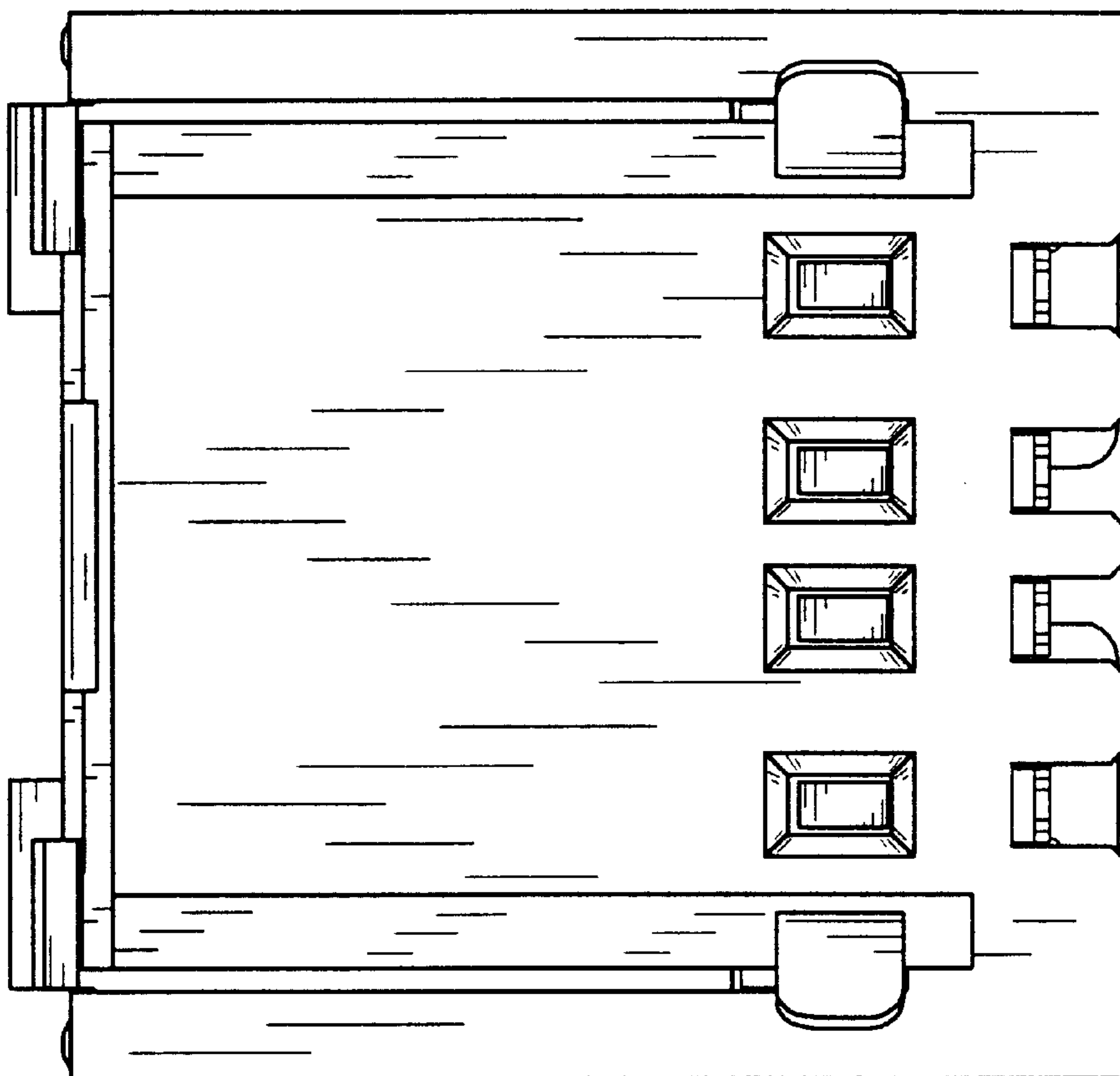


FIG. 7