



US00D415105S

United States Patent [19]
Lee

[11] **Patent Number: Des. 415,105**

[45] **Date of Patent: ** Oct. 12, 1999**

[54] **EXTENSION CORD CONNECTOR**

[76] Inventor: **Dominic Lee**, Apt. 1C, Duke Garden,
#2 Duke Street, Kowloon, The Hong
Kong Special Administrative Region of
the People's Republic of China

[**] Term: **14 Years**

[21] Appl. No.: **29/091,839**

[22] Filed: **Aug. 6, 1998**

[51] **LOC (6) Cl. 13-03**

[52] **U.S. Cl. D13/139.1**

[58] **Field of Search** 439/650, 651,
439/652, 601, 622; 337/189, 198; D13/137.1-137.4,
139.1, 139.8

[56] **References Cited**

U.S. PATENT DOCUMENTS

D. 194,105	11/1962	More	D13/137.2
D. 251,293	3/1979	Trueblood	D13/137.2
D. 276,225	11/1984	Powell	D13/137.2
D. 277,370	1/1985	Gehr et al.	D13/137.2
5,443,400	8/1995	Brown et al.	439/650

Primary Examiner—Susan J. Lucas
Assistant Examiner—Jennifer Rivard

Attorney, Agent, or Firm—Aufrichtig Stein & Aufrichtig,
P.C.; Peter D. Aufrichtig

[57] **CLAIM**

I claim the ornamental design for an extension cord con-
nector, as shown and described.

DESCRIPTION

FIG. 1 is a perspective view of an extension cord connector
in accordance with my new design;

FIG. 2 is another perspective view of the extension cord
connector of FIG. 1;

FIG. 3 is a top plan view of the design of FIG. 1;

FIG. 4 is a bottom plan view of the design of FIG. 1;

FIG. 5 is a left side elevational view of the design of FIG.
1;

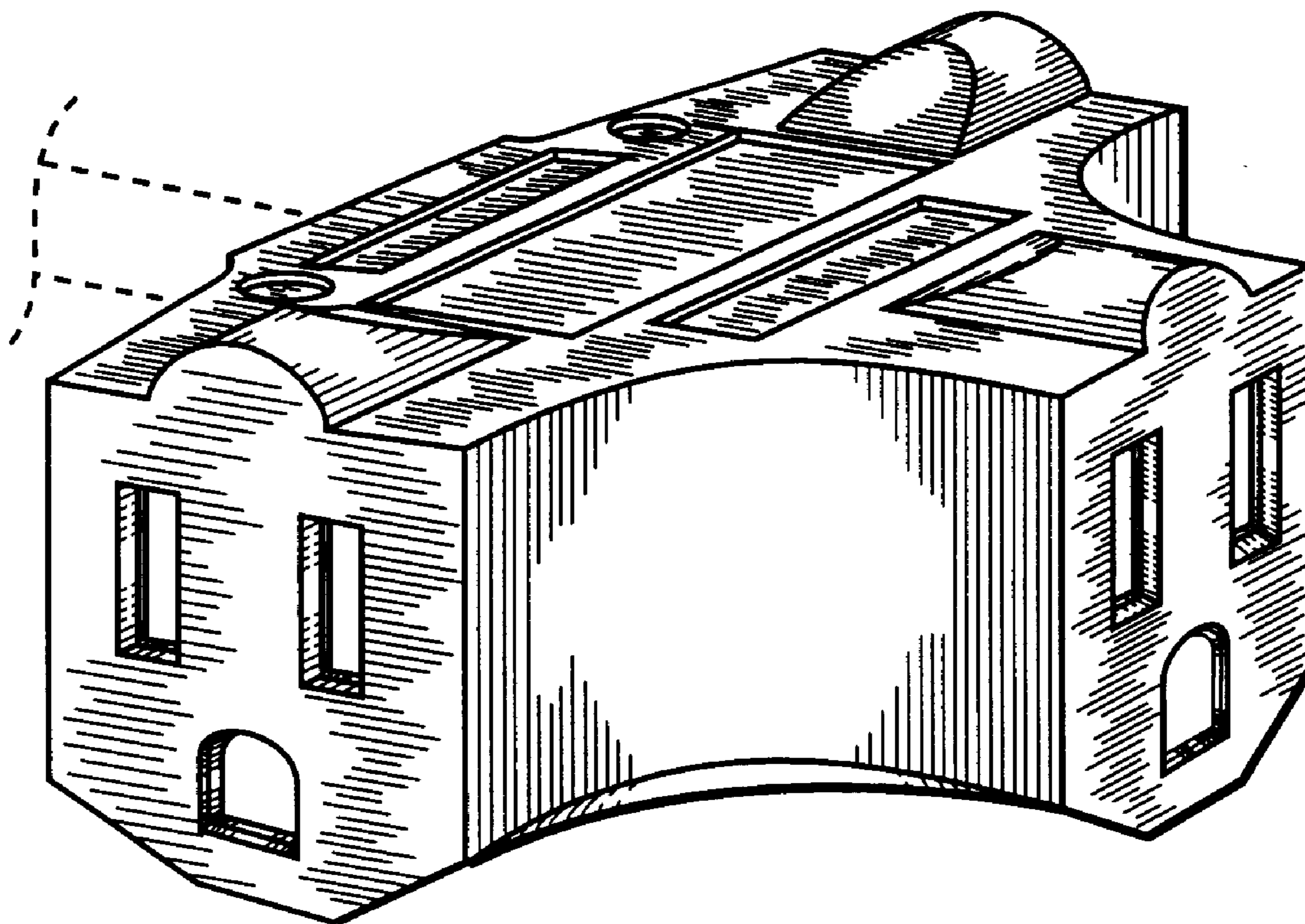
FIG. 6 is a right side elevational view of the design of FIG.
1;

FIG. 7 is a front elevational view of the design of FIG. 1;
and,

FIG. 8 is a back elevational view of the design of FIG. 1.

The broken lines are shown for illustrative purposes only
and form no part of the claimed design.

1 Claim, 4 Drawing Sheets



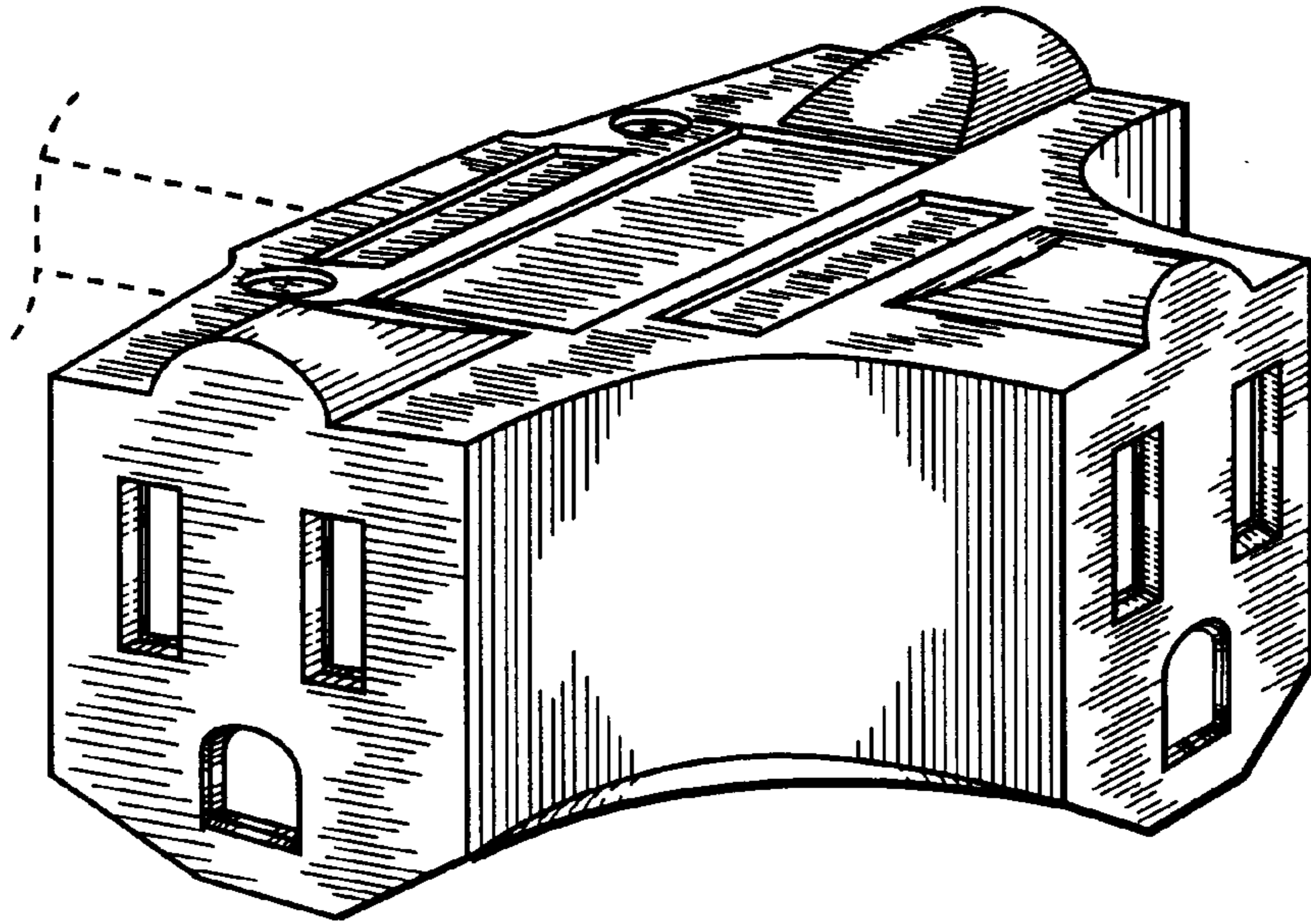


FIG. 1

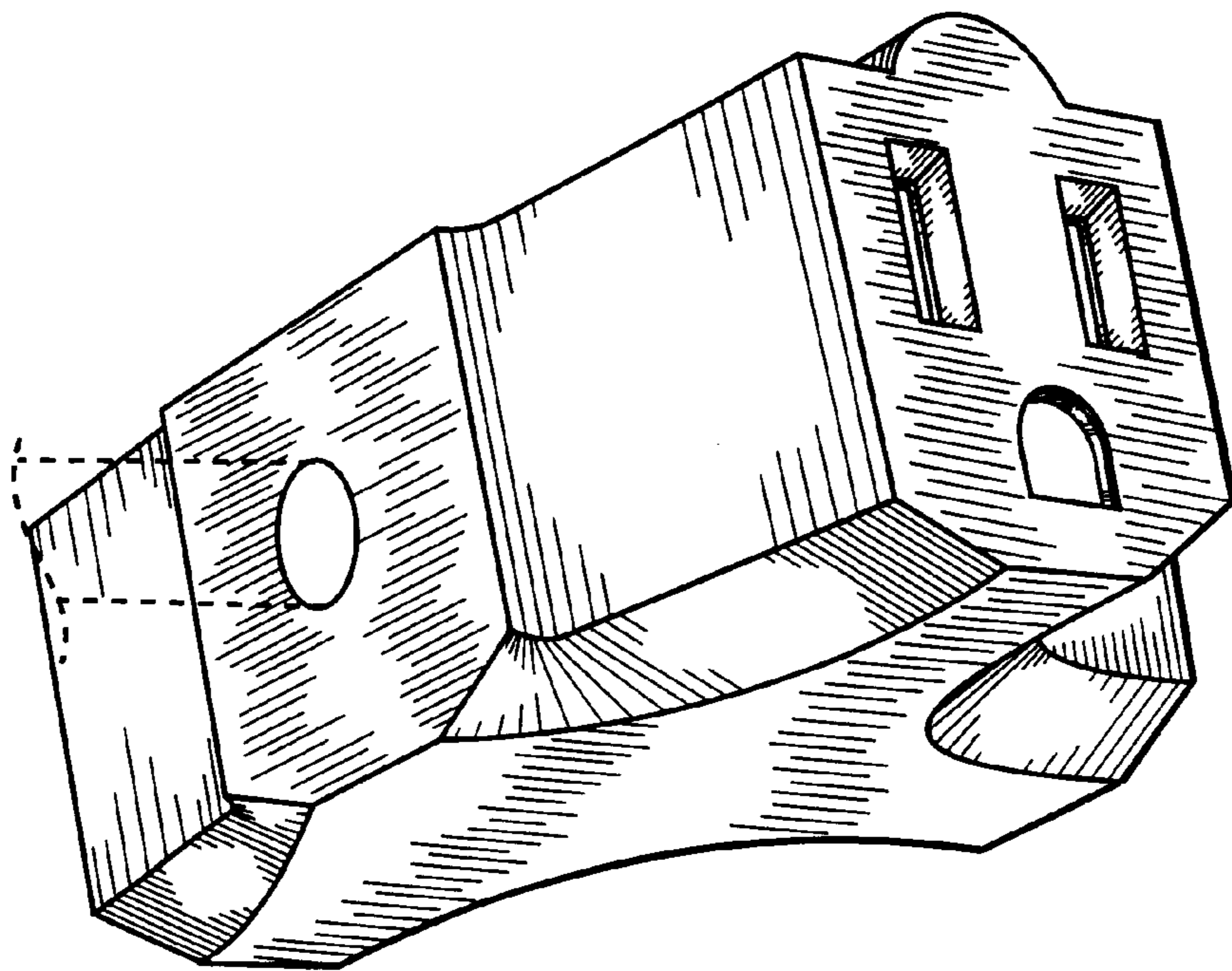


FIG. 2

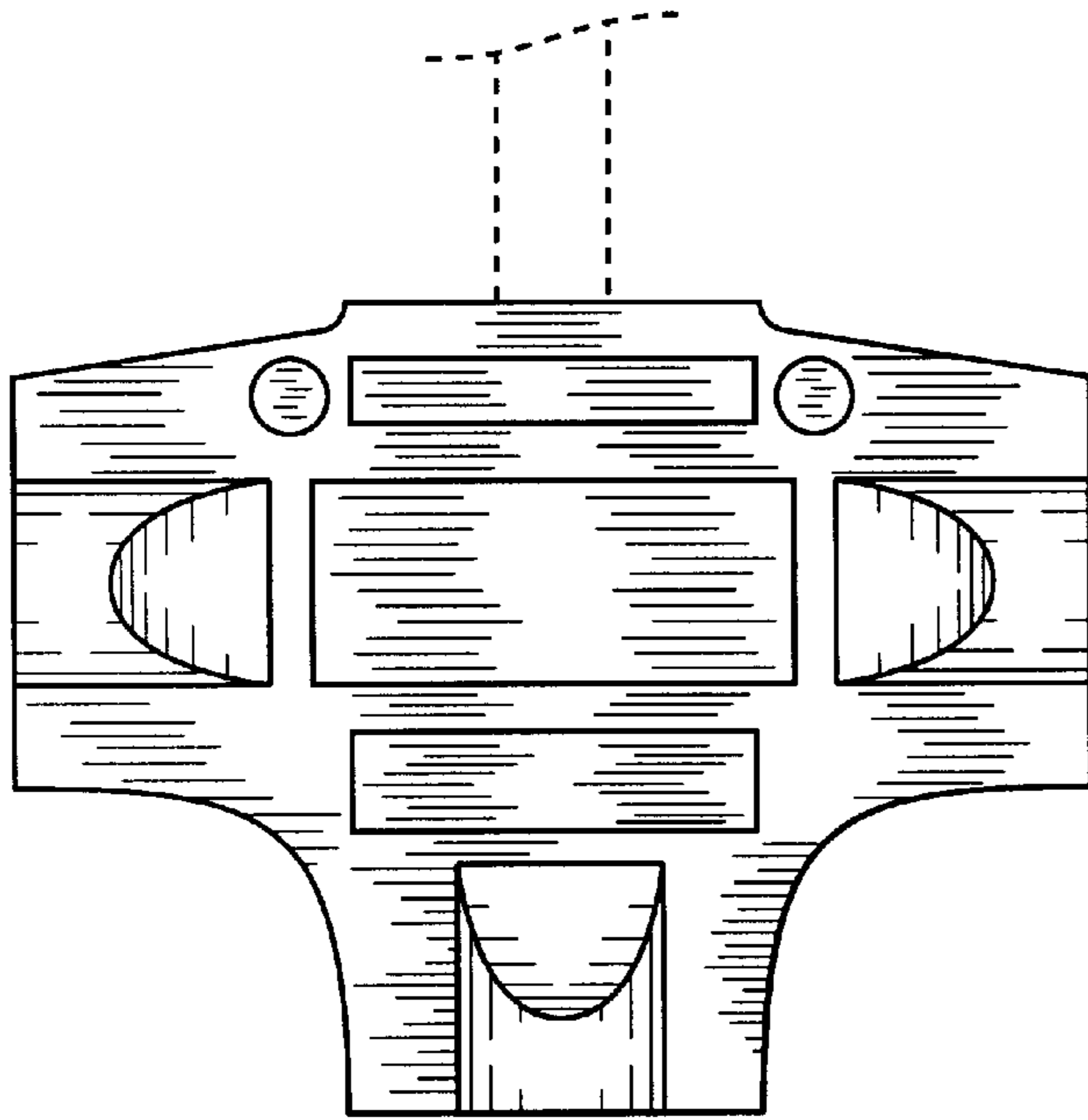


FIG. 3

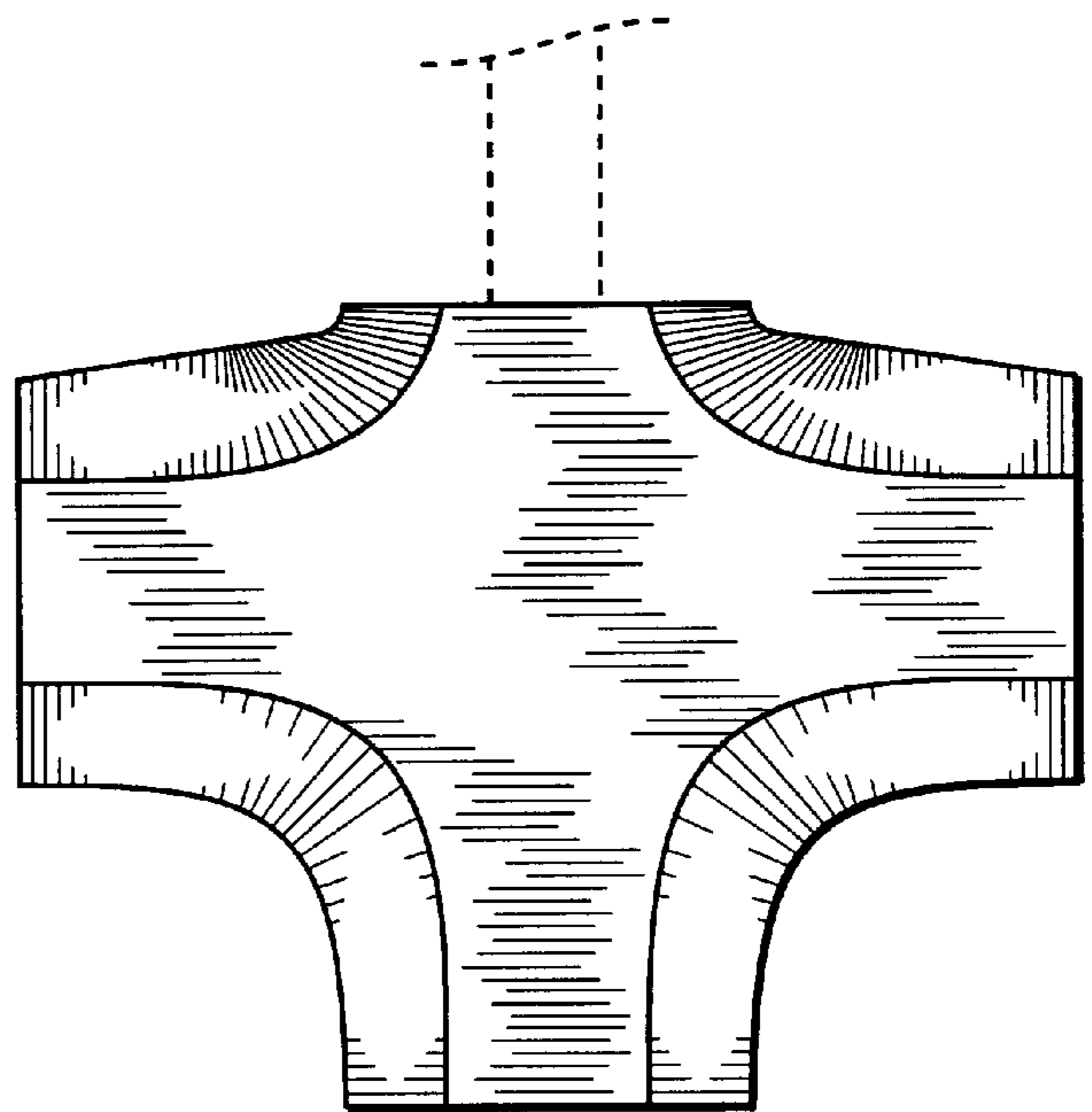


FIG. 4

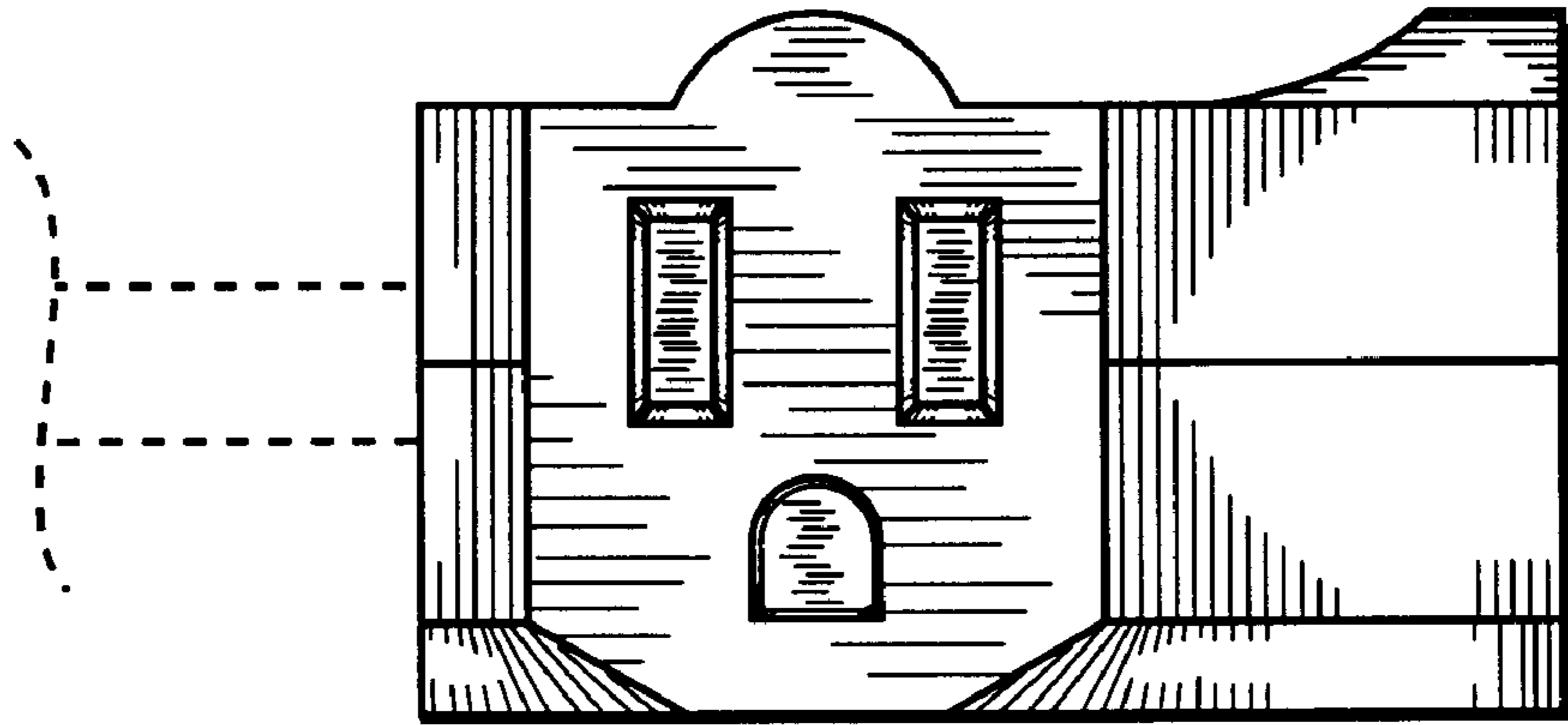


FIG. 5

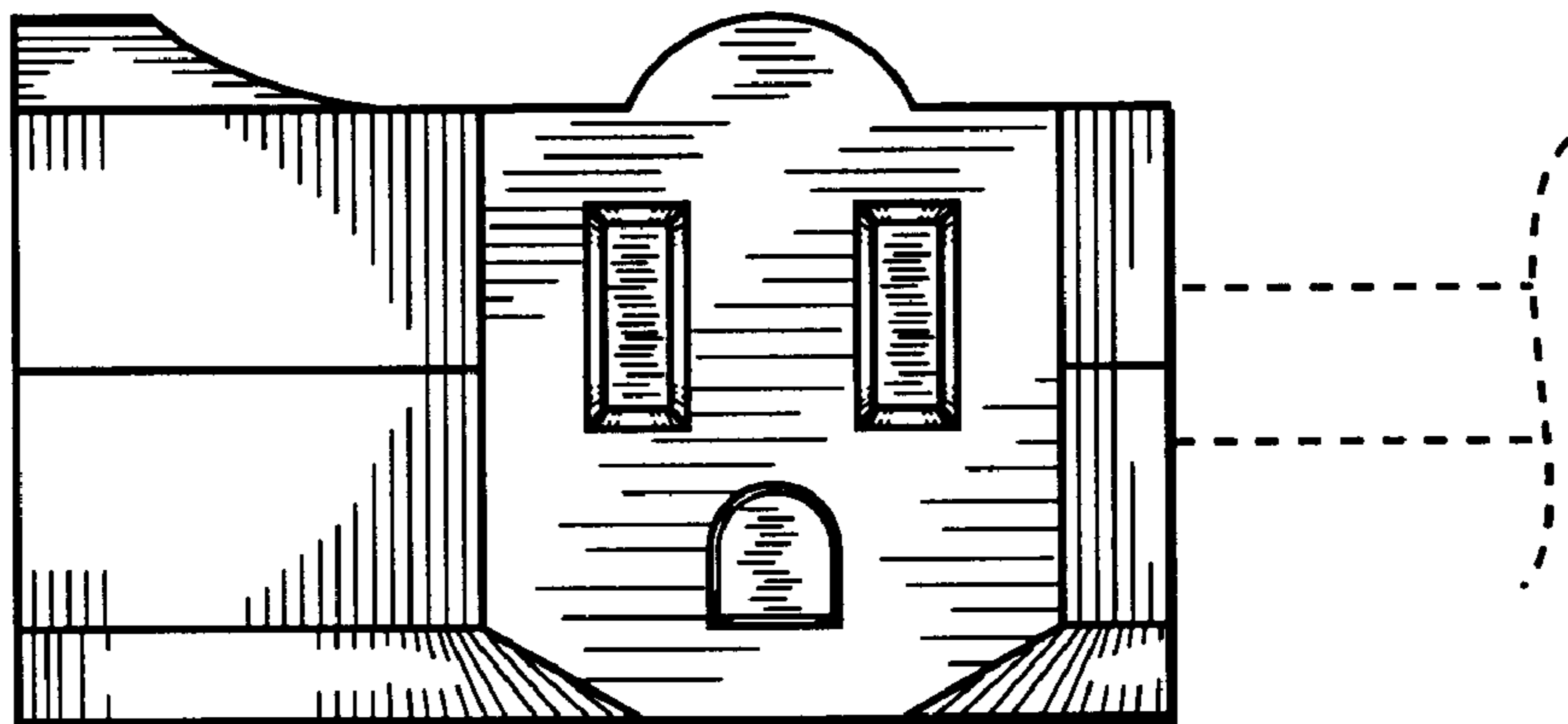


FIG. 6

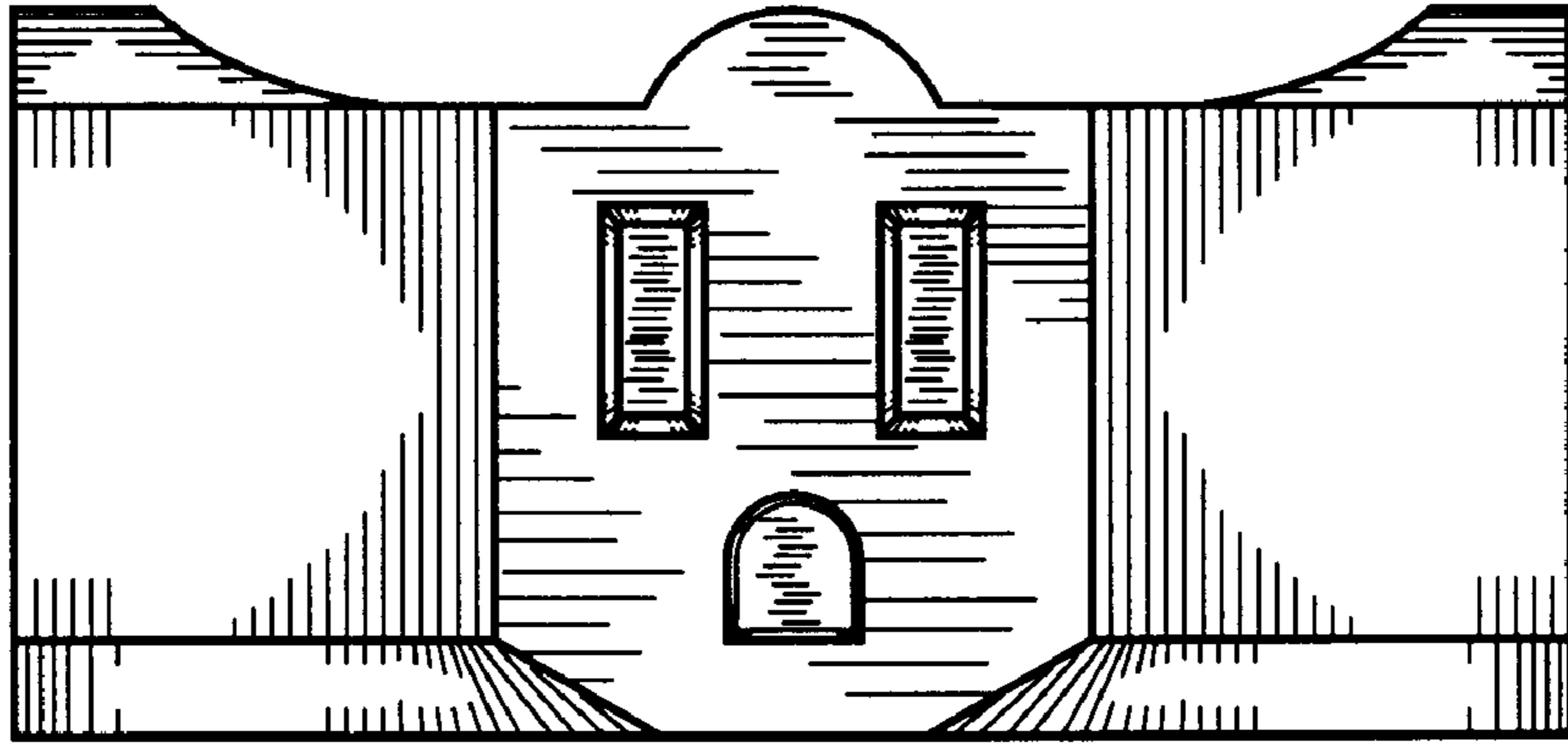


FIG. 7

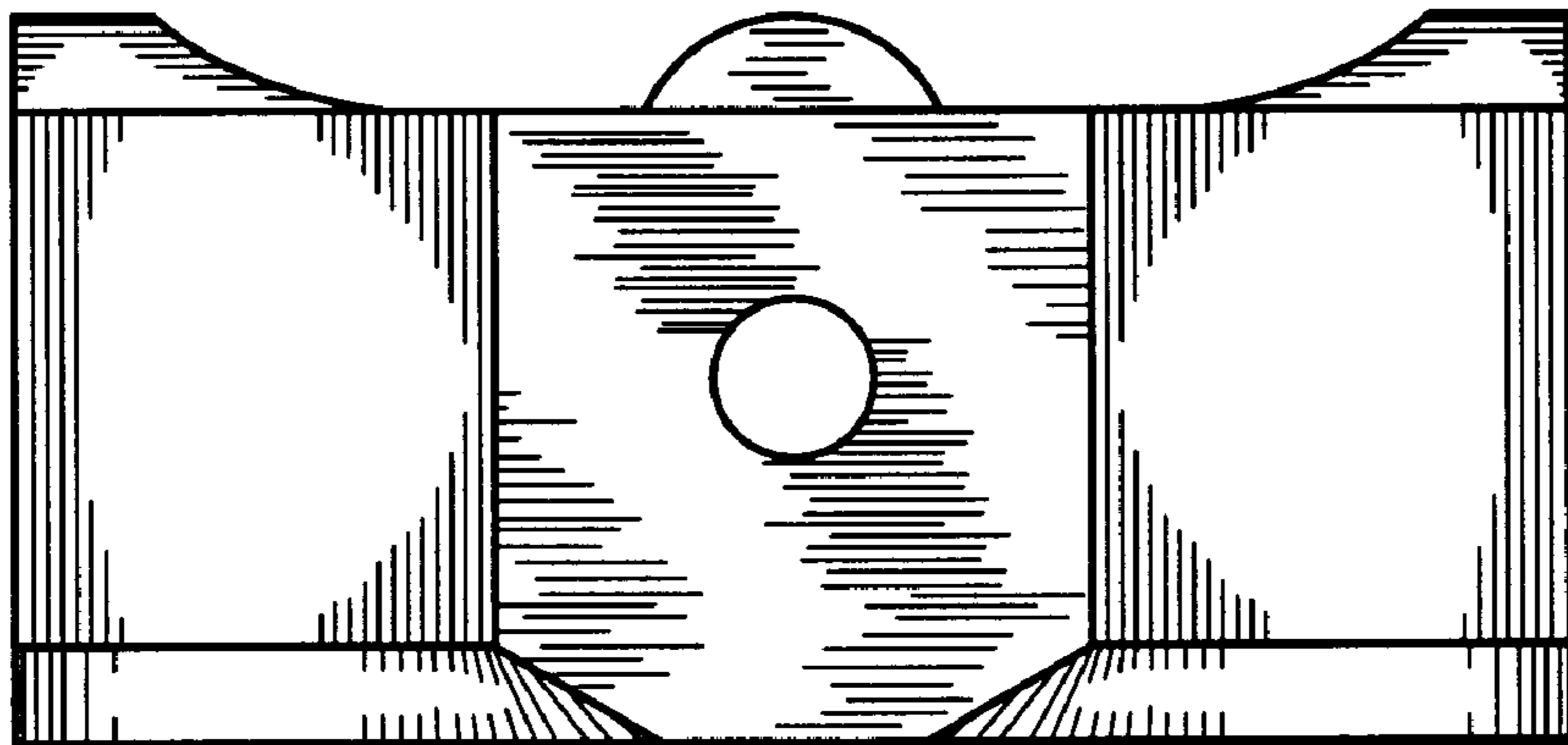


FIG. 8