



US00D415102S

# United States Patent [19]

Suzuki et al.

[11] **Patent Number: Des. 415,102**

[45] **Date of Patent: \*\* Oct. 12, 1999**

[54] **PLUG**

[75] Inventors: **Katsumi Suzuki**, Kitaibaraki; **Yosuke Kanemoto**, Tokyo, both of Japan

[73] Assignee: **SMK Corporation**, Shinagawa-ku, Japan

[\*\*] Term: **14 Years**

[21] Appl. No.: **29/098,717**

[22] Filed: **Jan. 5, 1999**

[30] **Foreign Application Priority Data**

Jul. 7, 1998 [JP] Japan ..... 10-305143

[51] **LOC (6) Cl.** ..... **13-03**

[52] **U.S. Cl.** ..... **D13/133**

[58] **Field of Search** ..... D13/133; 439/638, 439/655, 660, 668, 669

[56] **References Cited**

**U.S. PATENT DOCUMENTS**

D. 298,313 11/1988 De Jone ..... D13/133

D. 347,208 5/1994 Martin et al. .... D13/133  
4,493,526 1/1985 Masuda ..... 439/668  
5,376,022 12/1994 Carr et al. .... 439/668  
5,492,489 2/1996 Chavakula ..... 439/669 X

*Primary Examiner*—Joel Sincavage  
*Attorney, Agent, or Firm*—Christensen O'Connor Johnson & Kindness PLLC

[57] **CLAIM**

The ornamental design for a plug, as shown and described.

**DESCRIPTION**

FIG. 1 is a perspective view of front, bottom and right side of a plug showing our new design;

FIG. 2 is a front elevational view thereof the rear being a mirror image;

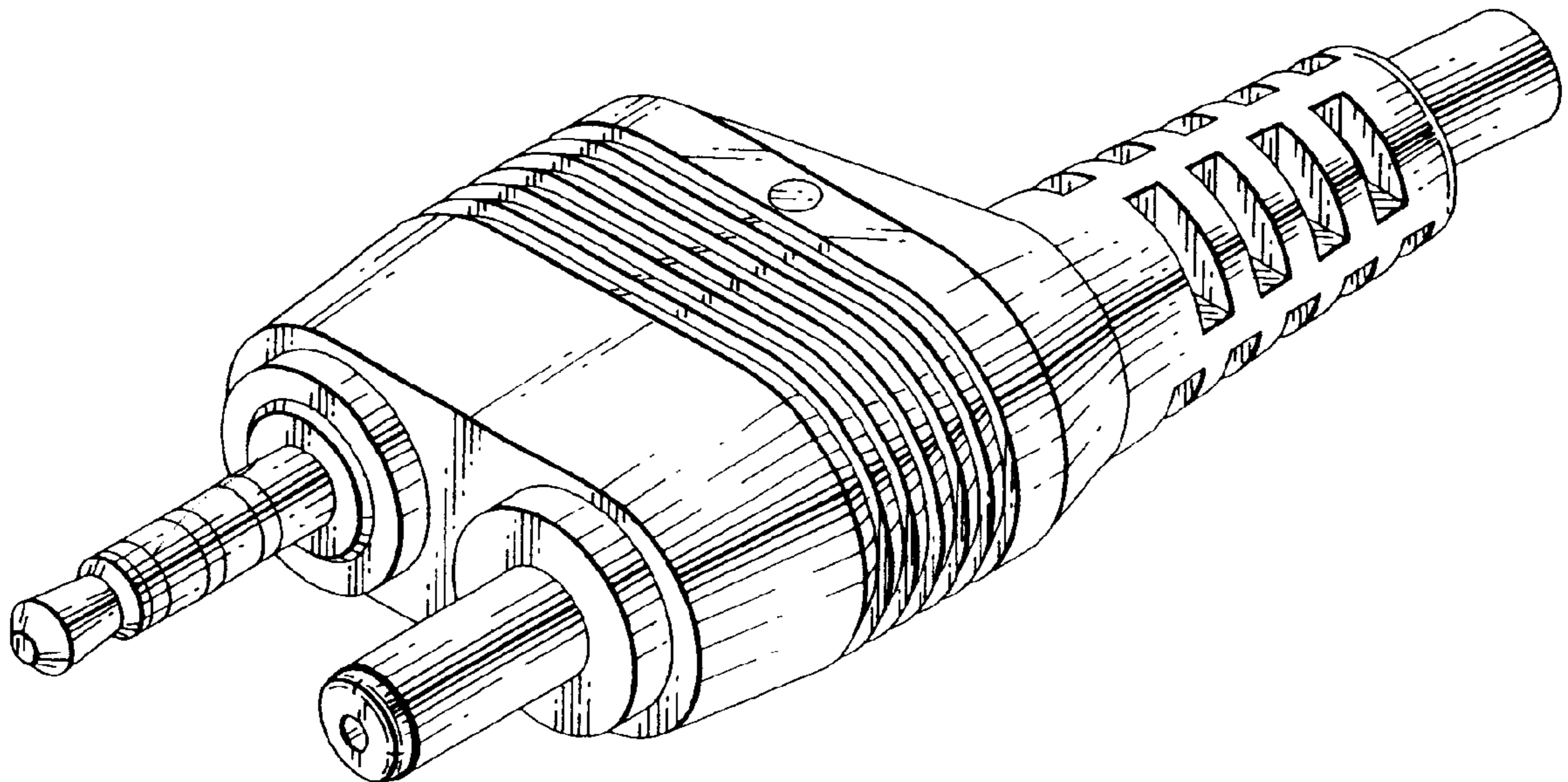
FIG. 3 is a left side elevational view thereof;

FIG. 4 is a right side elevational view thereof;

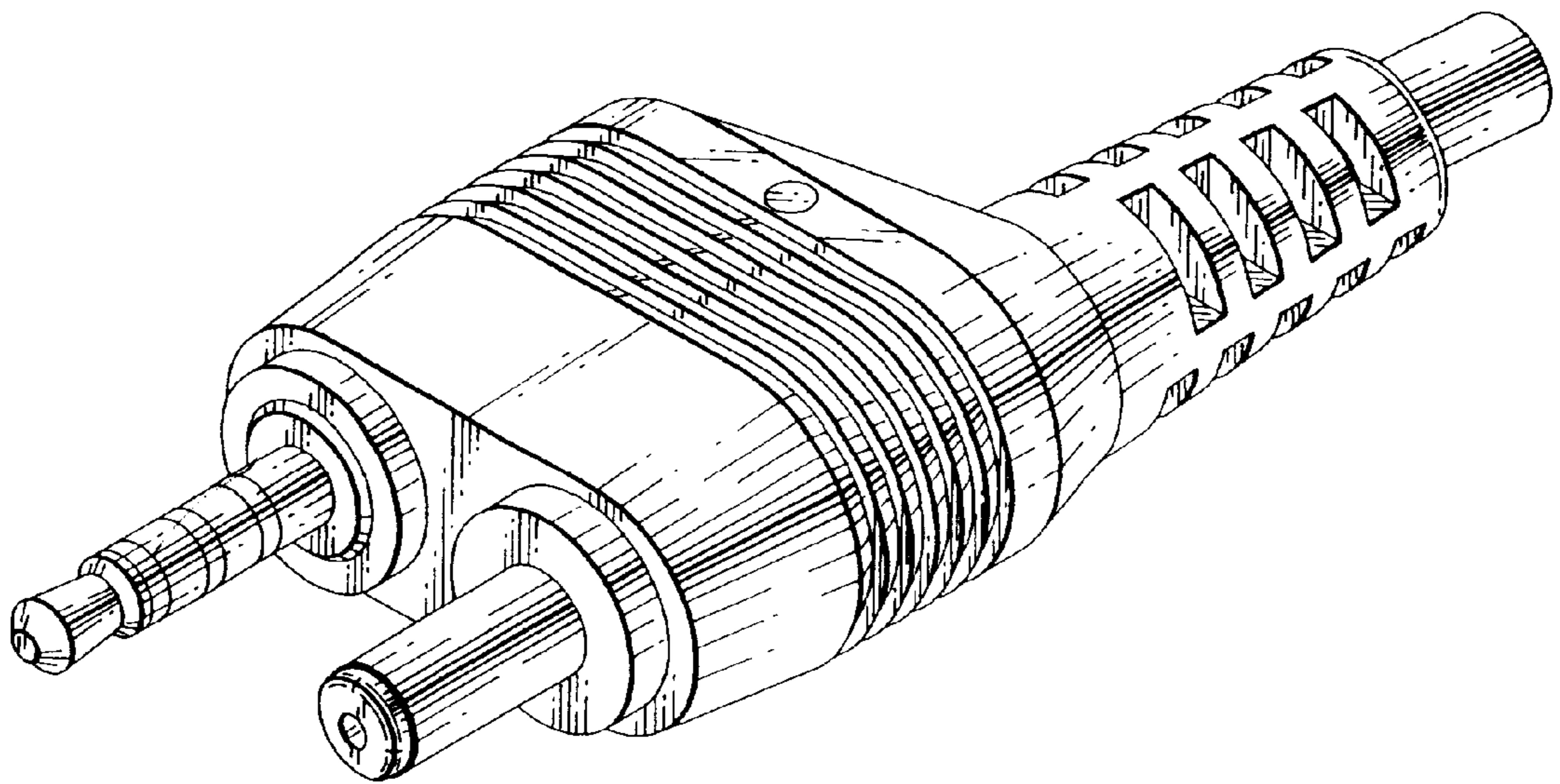
FIG. 5 is a top plan view thereof; and,

FIG. 6 is a bottom plan view thereof.

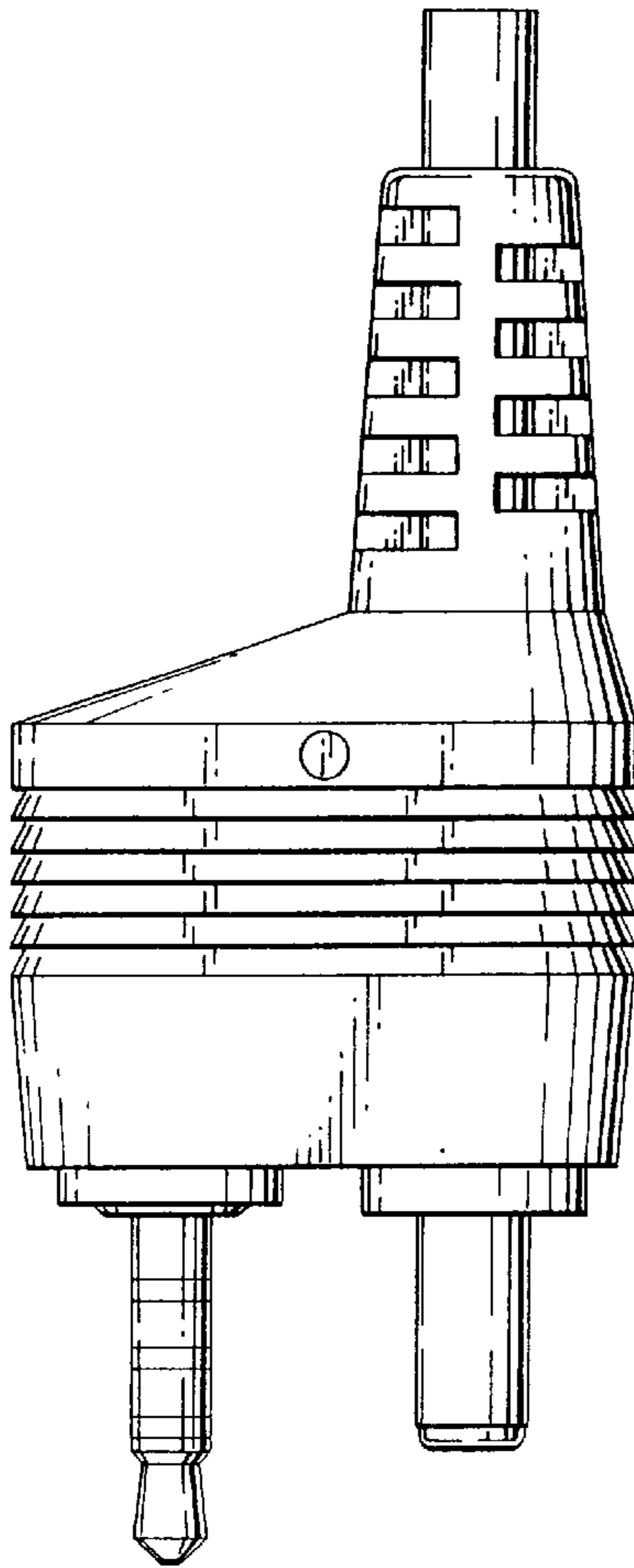
**1 Claim, 2 Drawing Sheets**



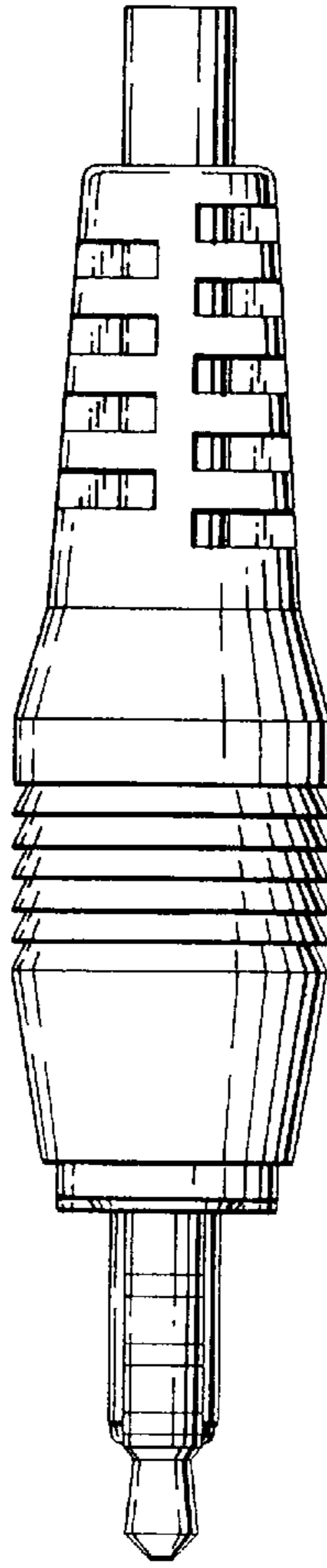
*FIG. 1*



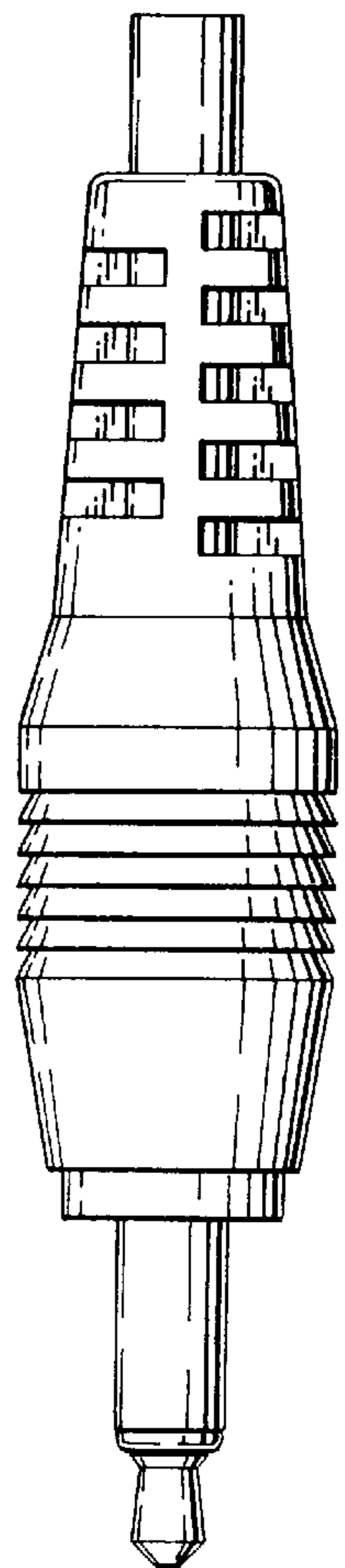
*FIG. 2*



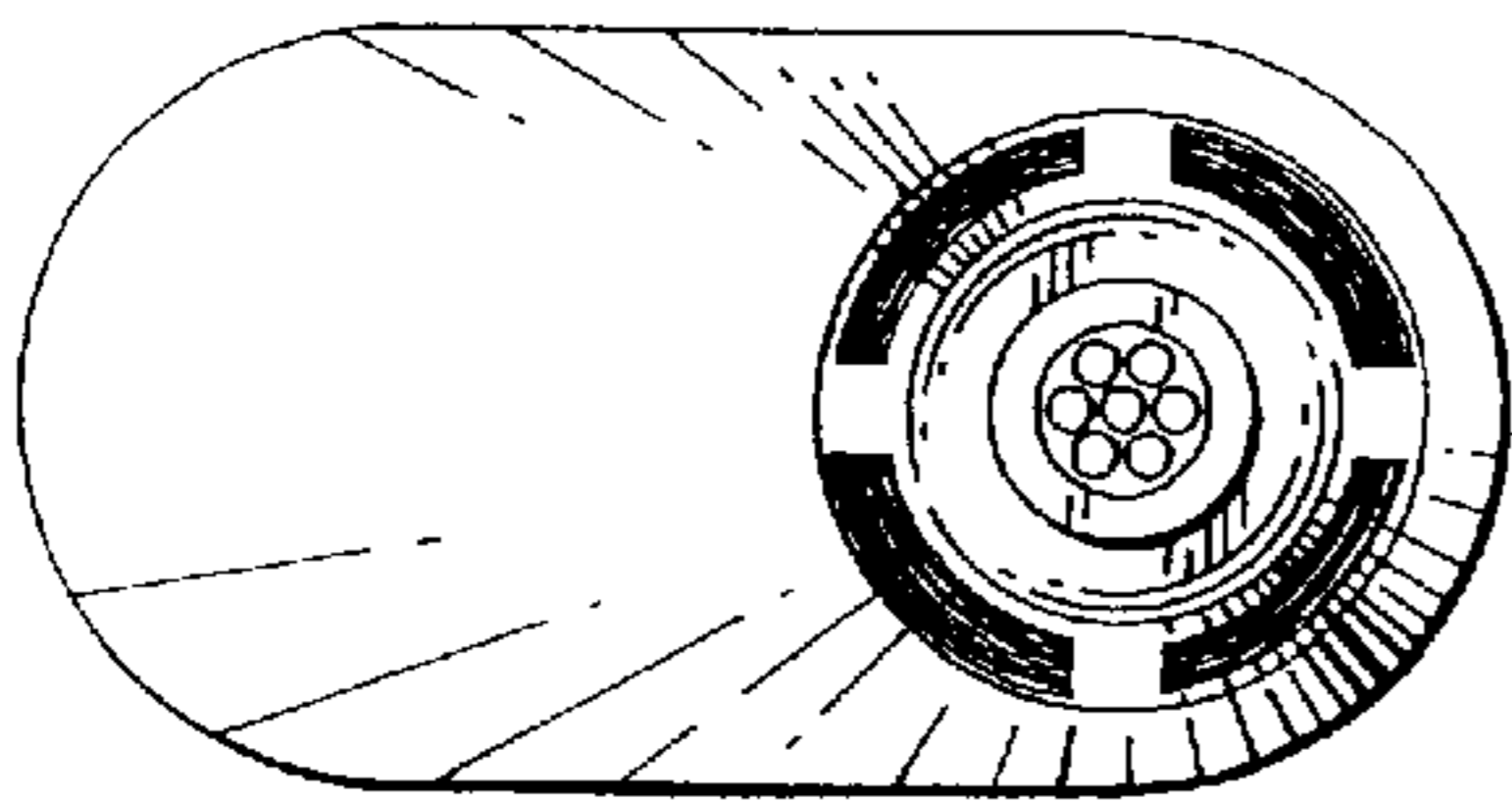
*FIG. 3*



*FIG. 4*



*FIG. 5*



*FIG. 6*

