



US00D415100S

United States Patent [19] Buck

[11] Patent Number: Des. 415,100

[45] Date of Patent: ** Oct. 12, 1999

[54] BATTERY PACK

8906631 3/1990 Germany .
8906632 4/1990 Germany .
9000829 1/1991 Germany .

[75] Inventor: John E. Buck, Cockeysville, Md.

[73] Assignee: Black & Decker Inc., Newark, Del.

OTHER PUBLICATIONS

[**] Term: 14 Years

Milwaukee Electric Tools for Contractors and Industry Catalog, 1997 (published as least as early as Aug., 1997), pp. 19-24 showing battery packs 48-11-1900, 48-11-950, 48-11-1000 and 48-11-2100.

[21] Appl. No.: 29/089,506

[22] Filed: Jun. 16, 1998

Primary Examiner—Joel Sincavage
Attorney, Agent, or Firm—Dennis A. Dearing; John D. Del Pont; Bruce S. Shapiro

[51] LOC (6) Cl. 13-02

[52] U.S. Cl. D13/103

[58] Field of Search D13/103; 429/96-100,
429/163, 176

[57] CLAIM

[56] References Cited

The ornamental design for a battery pack, as shown and described.

U.S. PATENT DOCUMENTS

DESCRIPTION

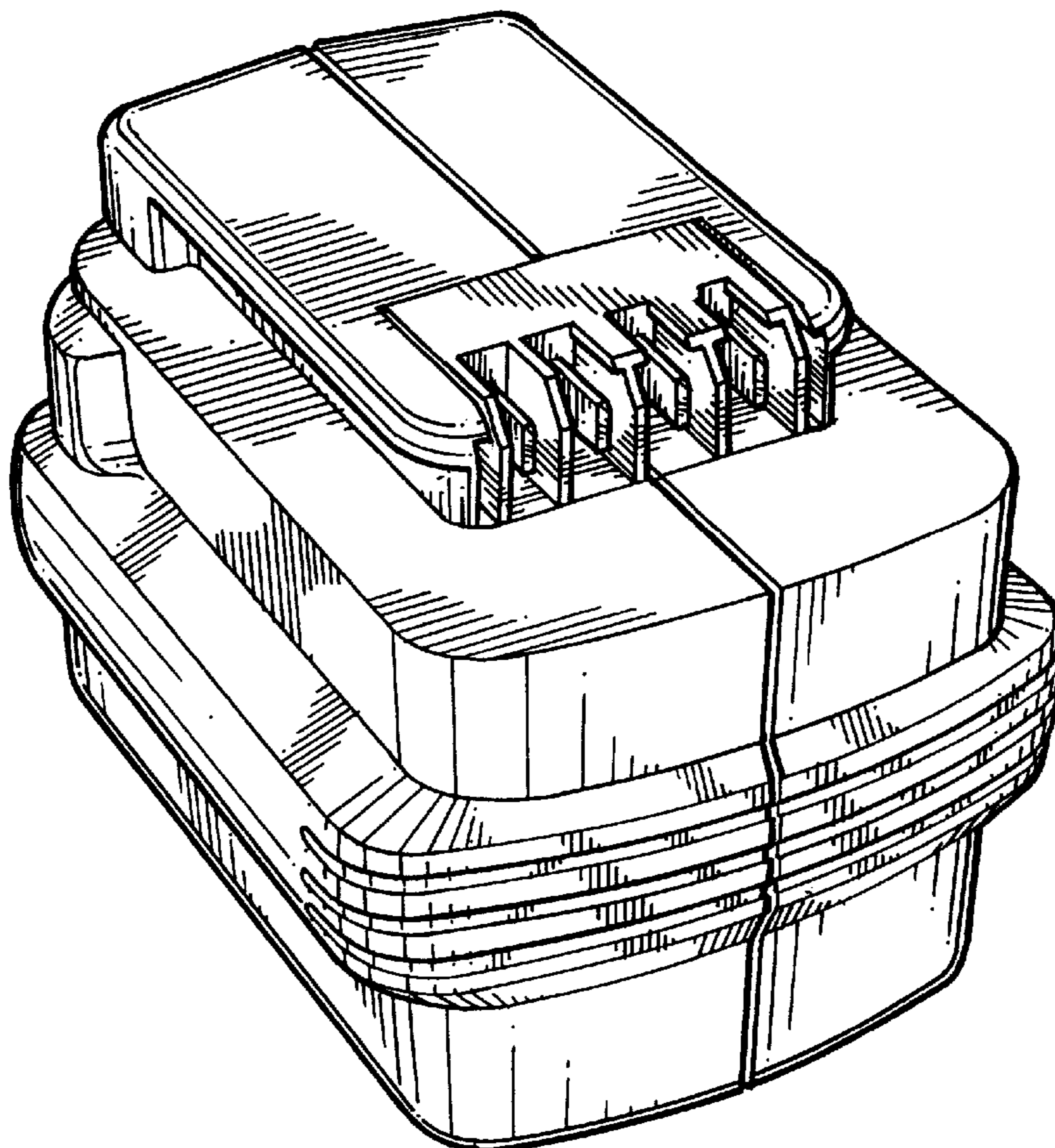
- D. 300,132 3/1989 Culbertson et al. .
- D. 304,026 10/1989 Goodner et al. .
- D. 310,813 9/1990 Culbertson et al. .
- D. 320,917 10/1991 Fushiya et al. .
- D. 320,974 10/1991 Culbertson .
- D. 323,276 1/1992 Fushiya et al. .
- D. 345,090 3/1994 Okumura .
- D. 379,795 6/1997 Pitzen et al. .
- D. 380,952 7/1997 Kim .
- 5,671,815 9/1997 Kabatnik et al. .

FIG. 1 is a front perspective view of a battery pack showing my new design.
FIG. 2 is a rear elevational view thereof.
FIG. 3 is a front elevational view thereof.
FIG. 4 is a top plan view thereof.
FIG. 5 is a bottom plan view thereof.
FIG. 6 is a right side elevational view thereof; and,
FIG. 7 is a left side elevational view thereof.

FOREIGN PATENT DOCUMENTS

8908254 2/1990 Germany .

1 Claim, 4 Drawing Sheets



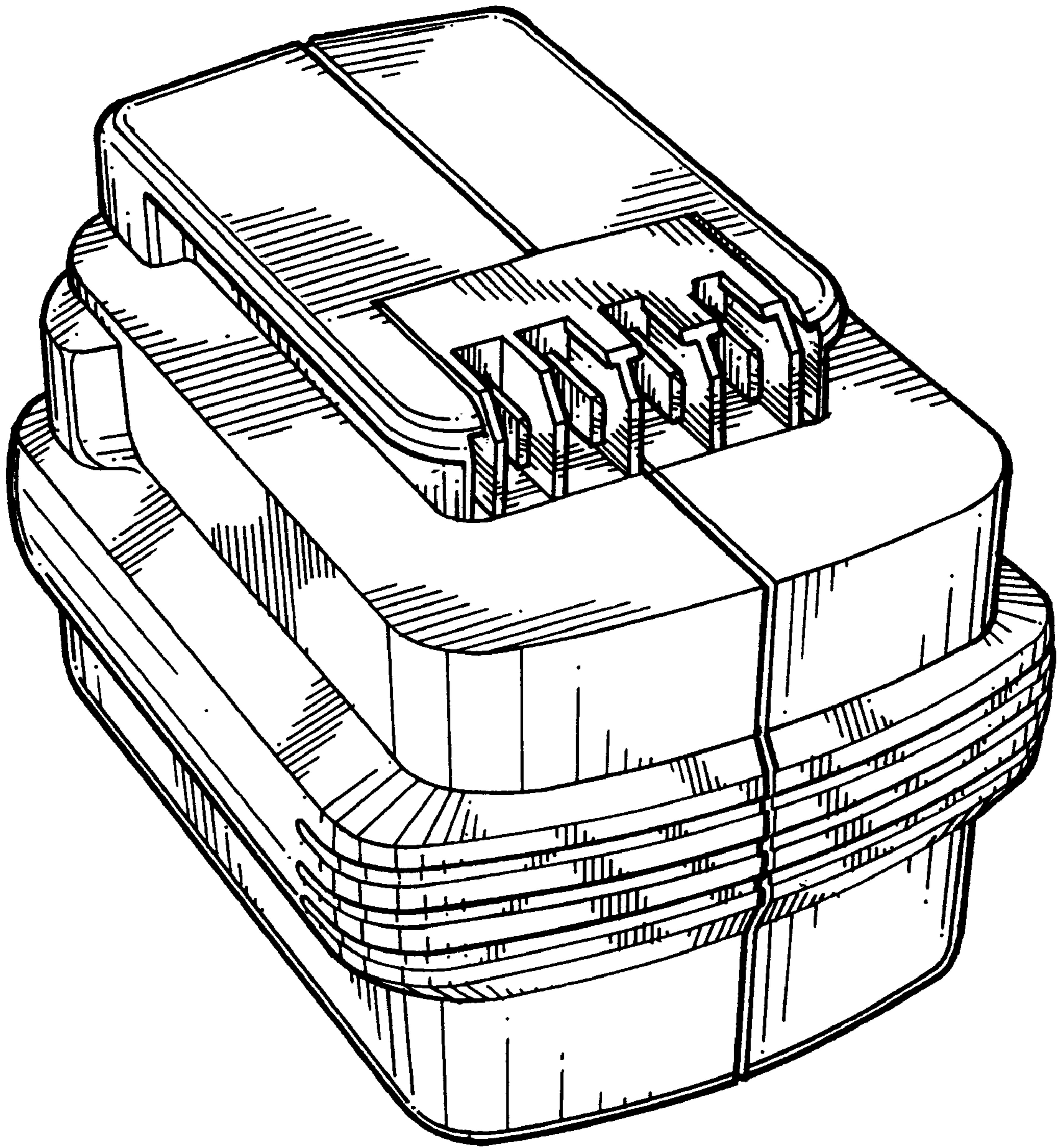


FIG. 1

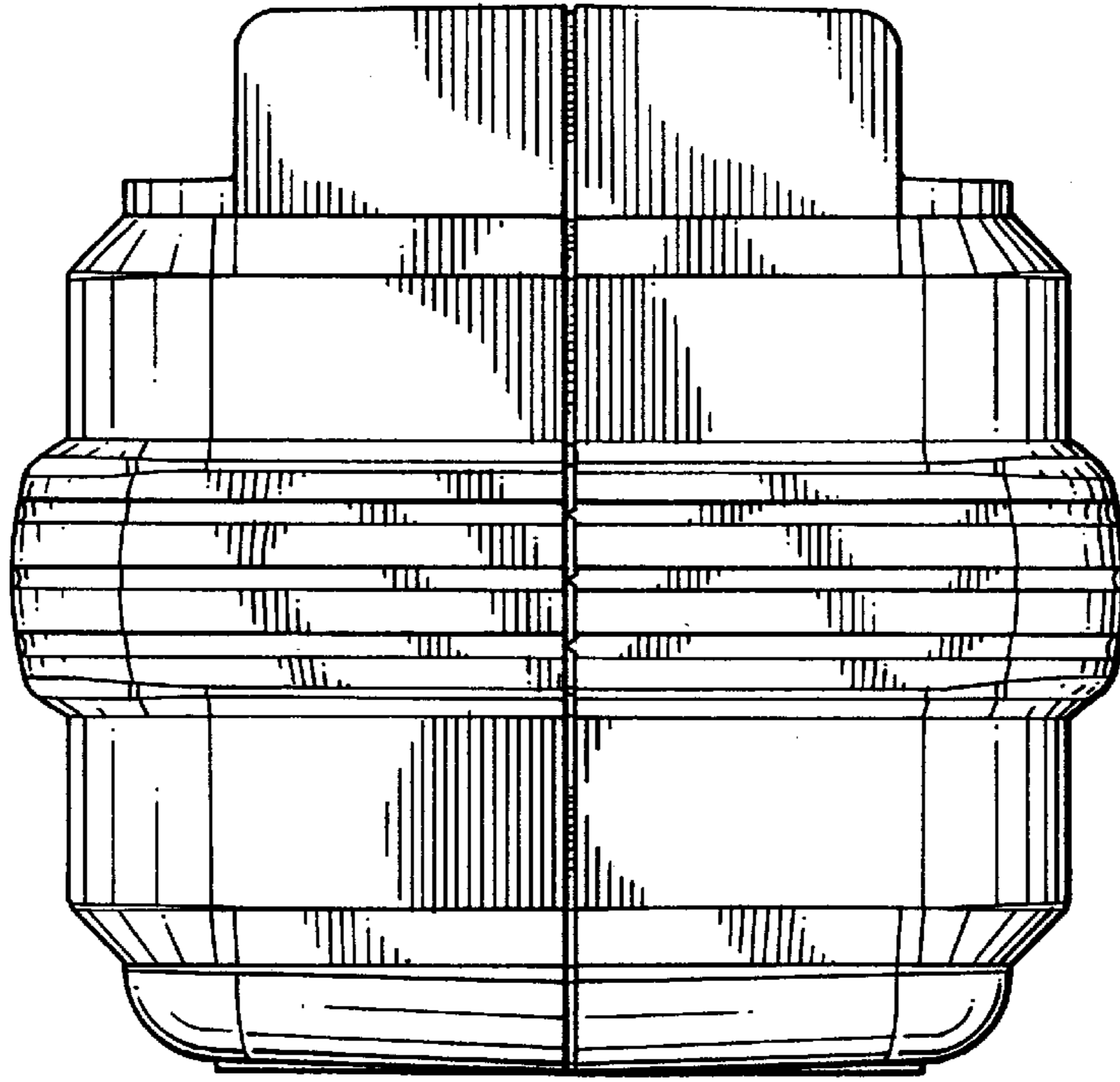


FIG. 2

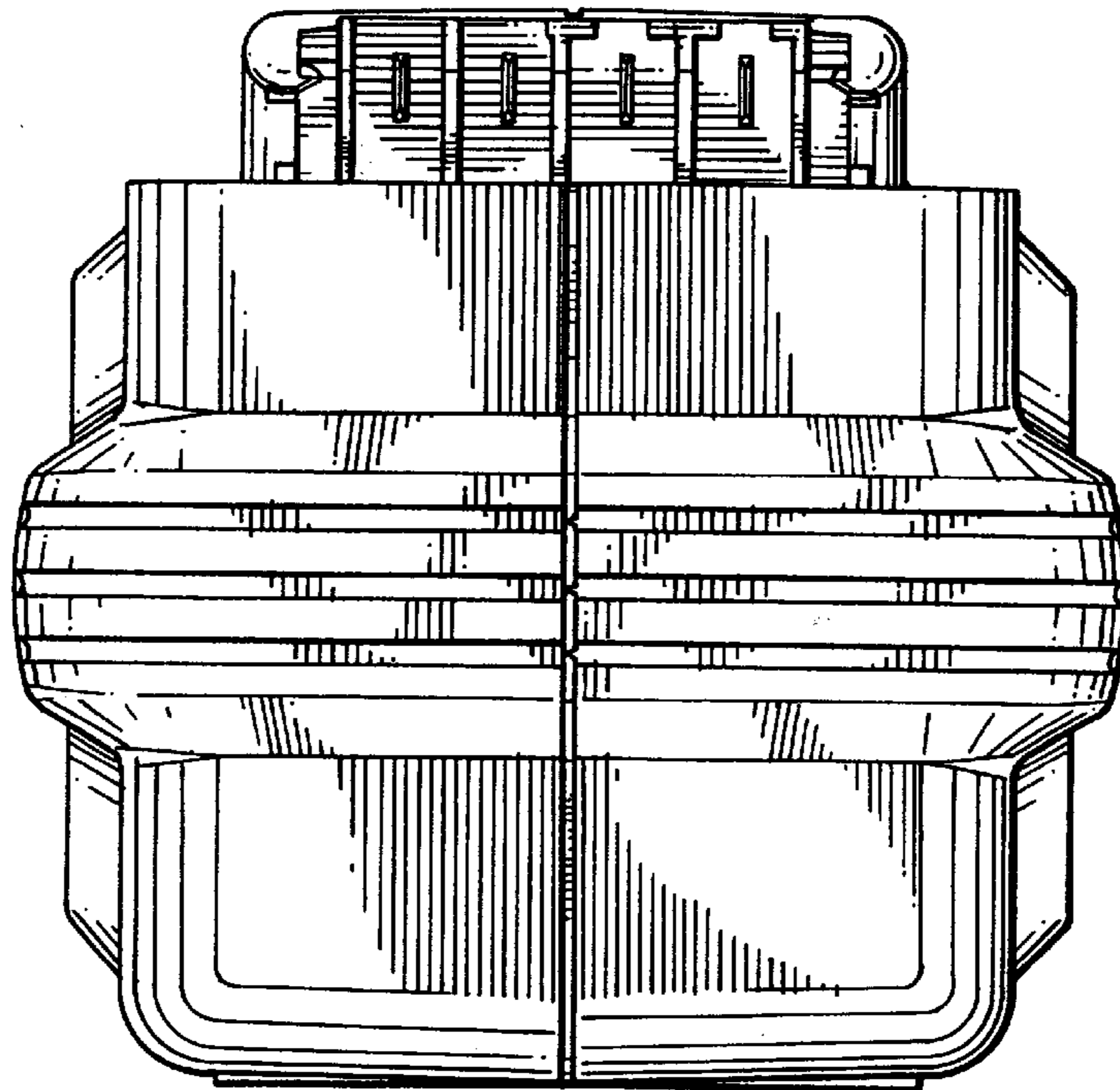


FIG. 3

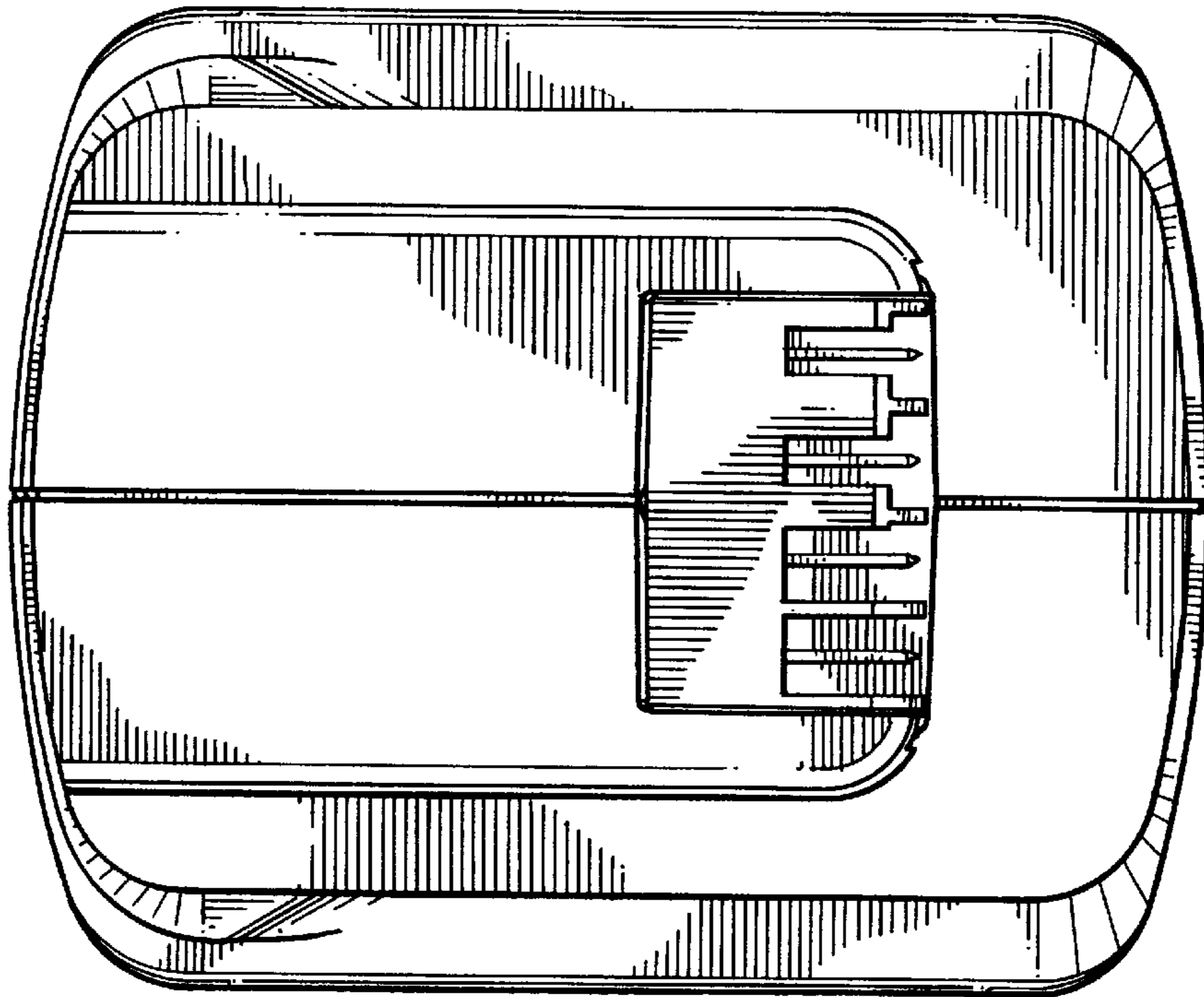


FIG. 4

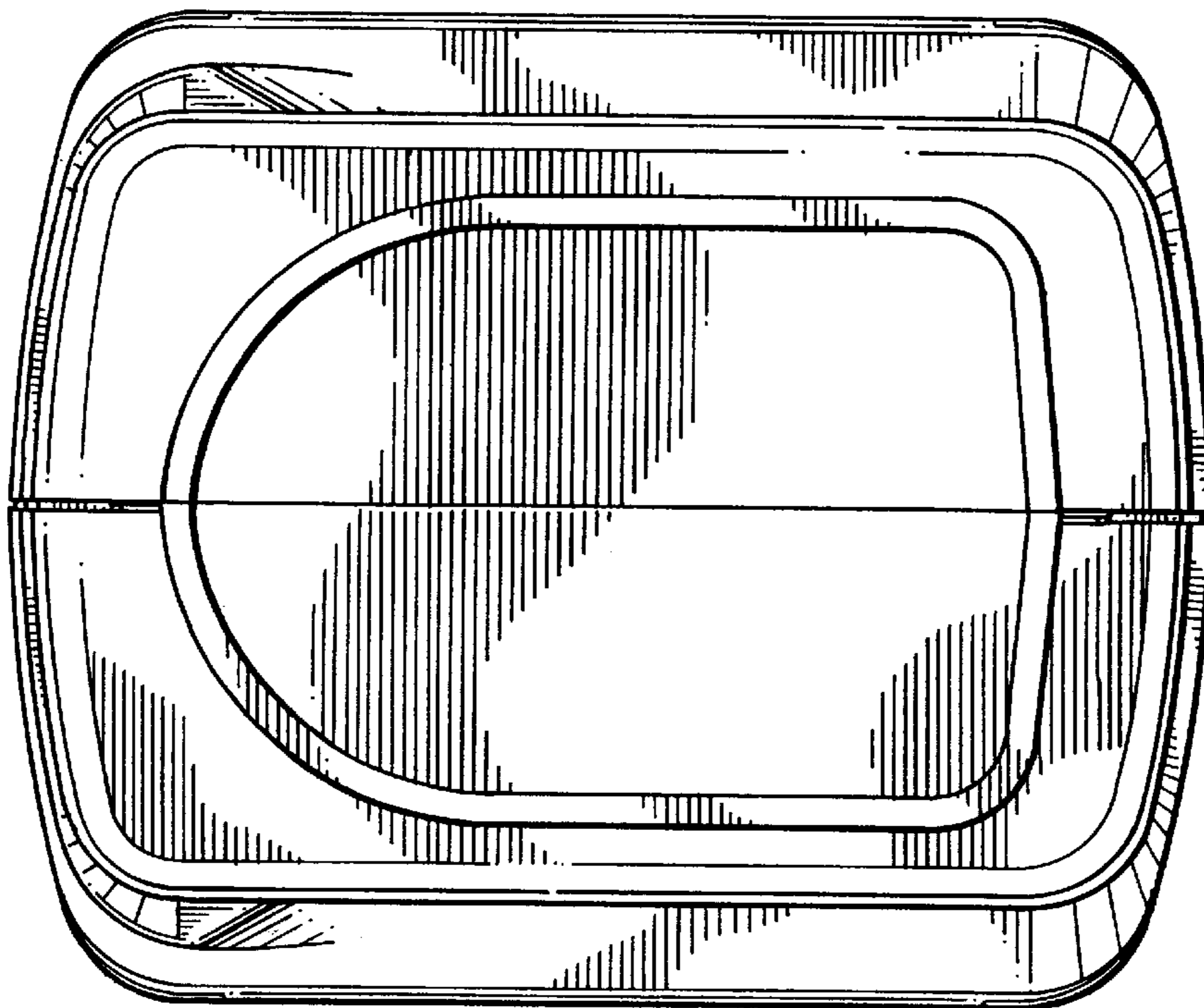


FIG. 5

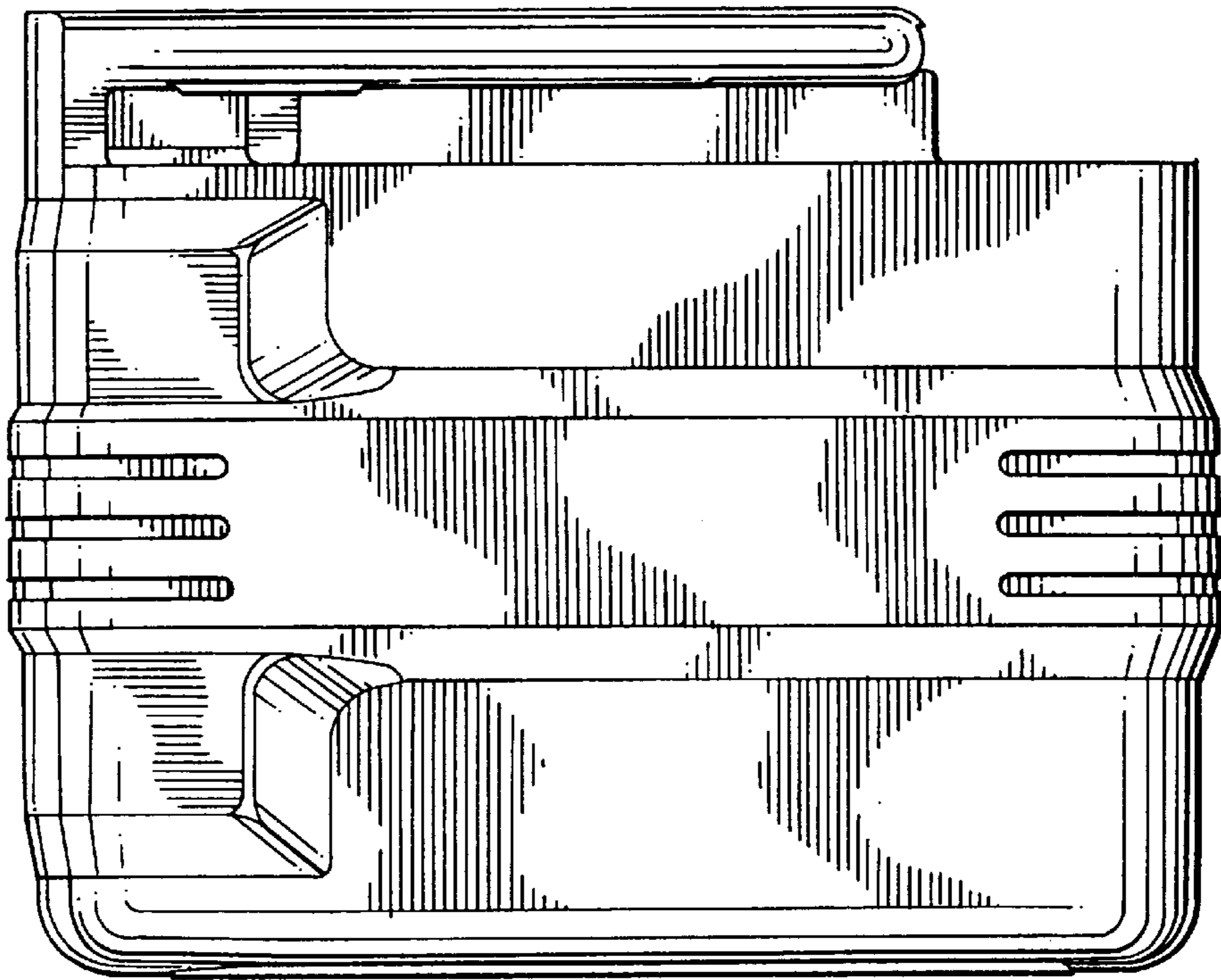


FIG. 6

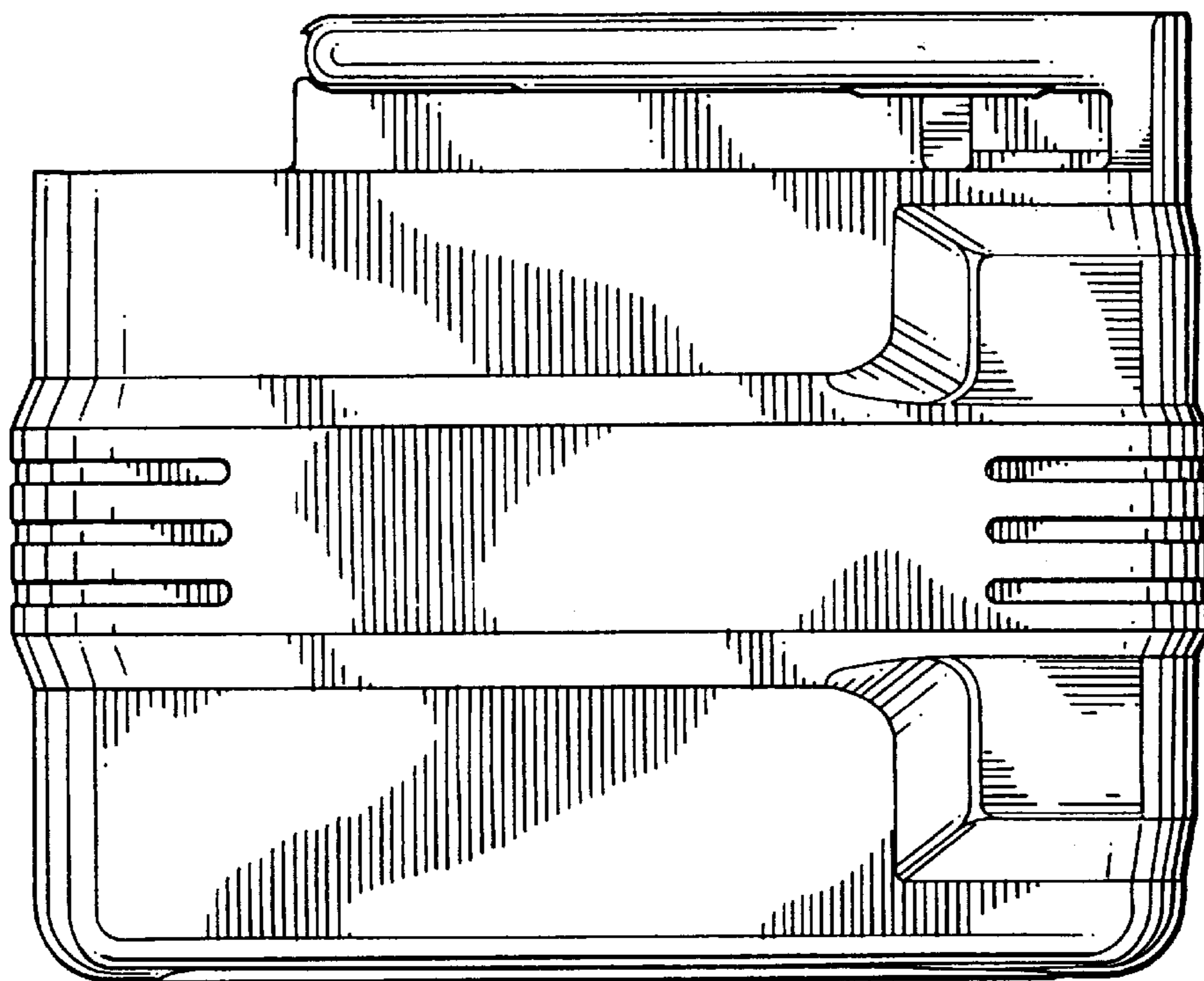


FIG. 7