



US00D415099S

# United States Patent [19]

Willkens et al.

[11] Patent Number: **Des. 415,099**

[45] Date of Patent: **\*\* Oct. 12, 1999**

[54] **BATTERY PACK**

[75] Inventors: **Matthew F. Willkens**, Seattle; **Andrew E. Reynolds**, Bothell, both of Wash.; **Kevin C. Johnson**, Minneapolis, Minn.

[73] Assignee: **Intermec IP Corporation**, Beverly Hills, Calif.

[\*\*] Term: **14 Years**

[21] Appl. No.: **29/089,419**

[22] Filed: **Jun. 15, 1998**

[51] **LOC (6) Cl.** ..... **13-02**

[52] **U.S. Cl.** ..... **D13/103**

[58] **Field of Search** ..... D13/103, 138.1; 429/96-100, 163, 176

[56] **References Cited**

**U.S. PATENT DOCUMENTS**

D. 355,108	2/1995	Geis et al.	.....	D13/138.1
D. 398,581	9/1998	Chang	.....	D13/138.1
D. 400,855	11/1998	Lee	.....	D13/138.1
2,301,258	11/1942	Corlew	.....	D13/138.1 X
4,086,523	4/1978	Izumi	.....	320/2
4,530,034	7/1985	Kawarada	.....	362/9

4,637,965	1/1987	Davis	.....	429/1
4,737,420	4/1988	Ikeda et al.	.....	429/1
4,969,206	11/1990	Desrochers	.....	455/89
5,111,128	5/1992	Branan, Jr. et al.	.....	320/2
5,227,262	7/1993	Ozer	.....	429/98

*Primary Examiner*—Joel Sincavage  
*Attorney, Agent, or Firm*—Seed and Berry LLP

[57] **CLAIM**

The ornamental design for a battery pack, as shown and described.

**DESCRIPTION**

FIG. 1 is a top isometric view of a first embodiment of a battery pack showing our new design.

FIG. 2 is a front elevational view thereof.

FIG. 3 is a rear elevational view thereof.

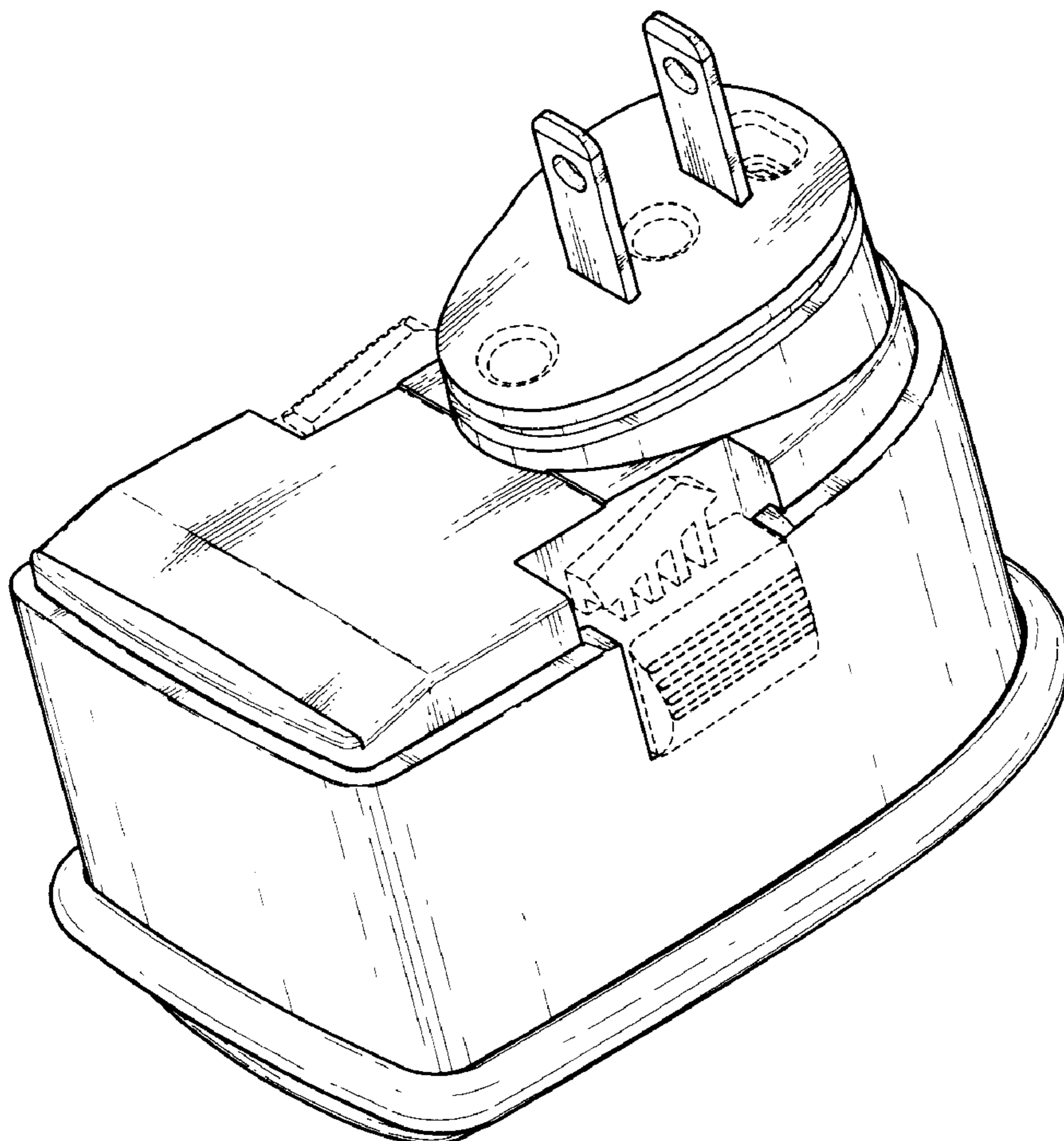
FIG. 4 is a right side elevational view thereof; the left side elevational view is a mirror image thereof.

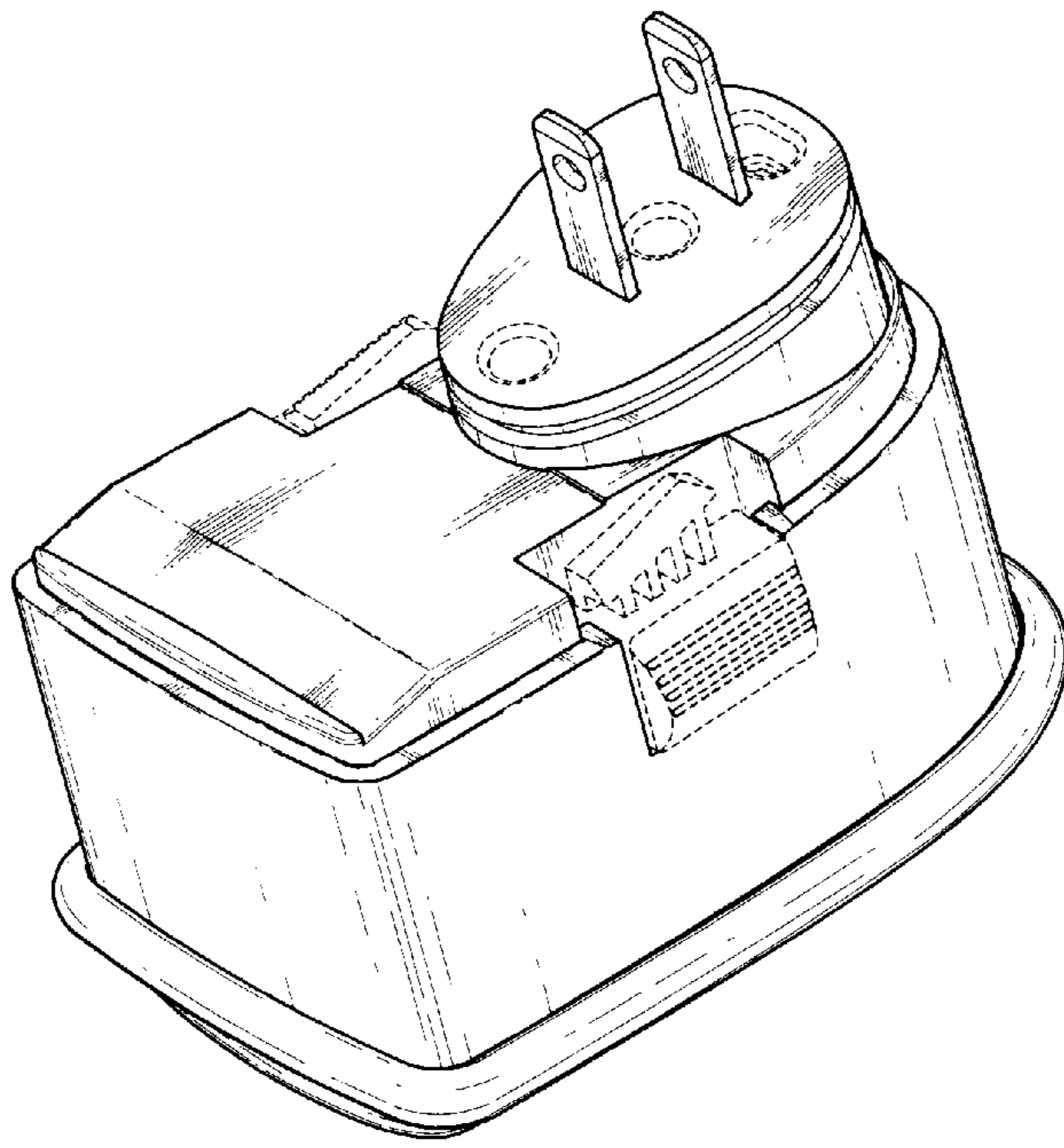
FIG. 5 is a top plan view thereof; and,

FIG. 6 is a bottom plan view thereof.

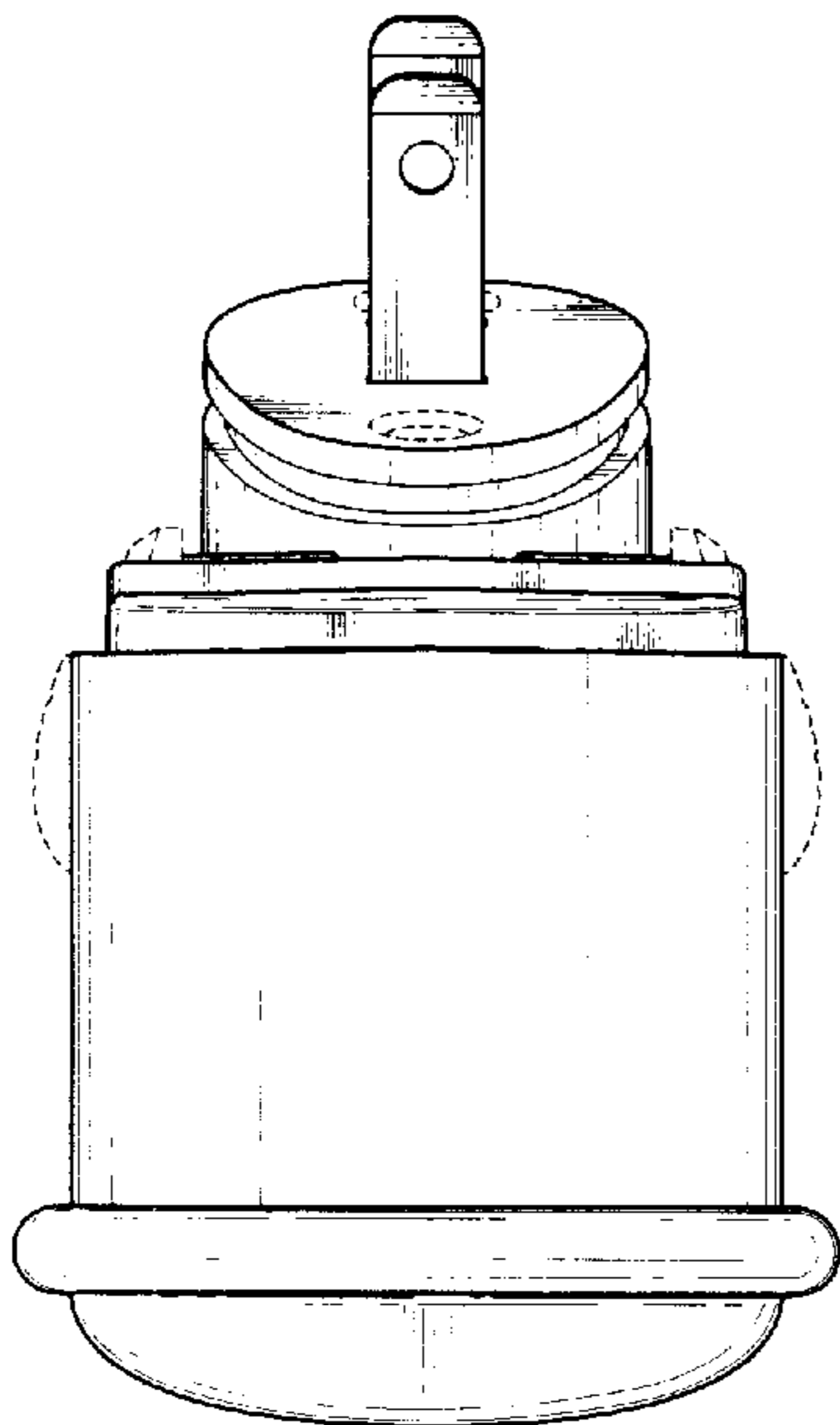
The broken line showing throughout the drawing illustrate features of the battery pack which form no part of the claimed design.

**1 Claim, 2 Drawing Sheets**

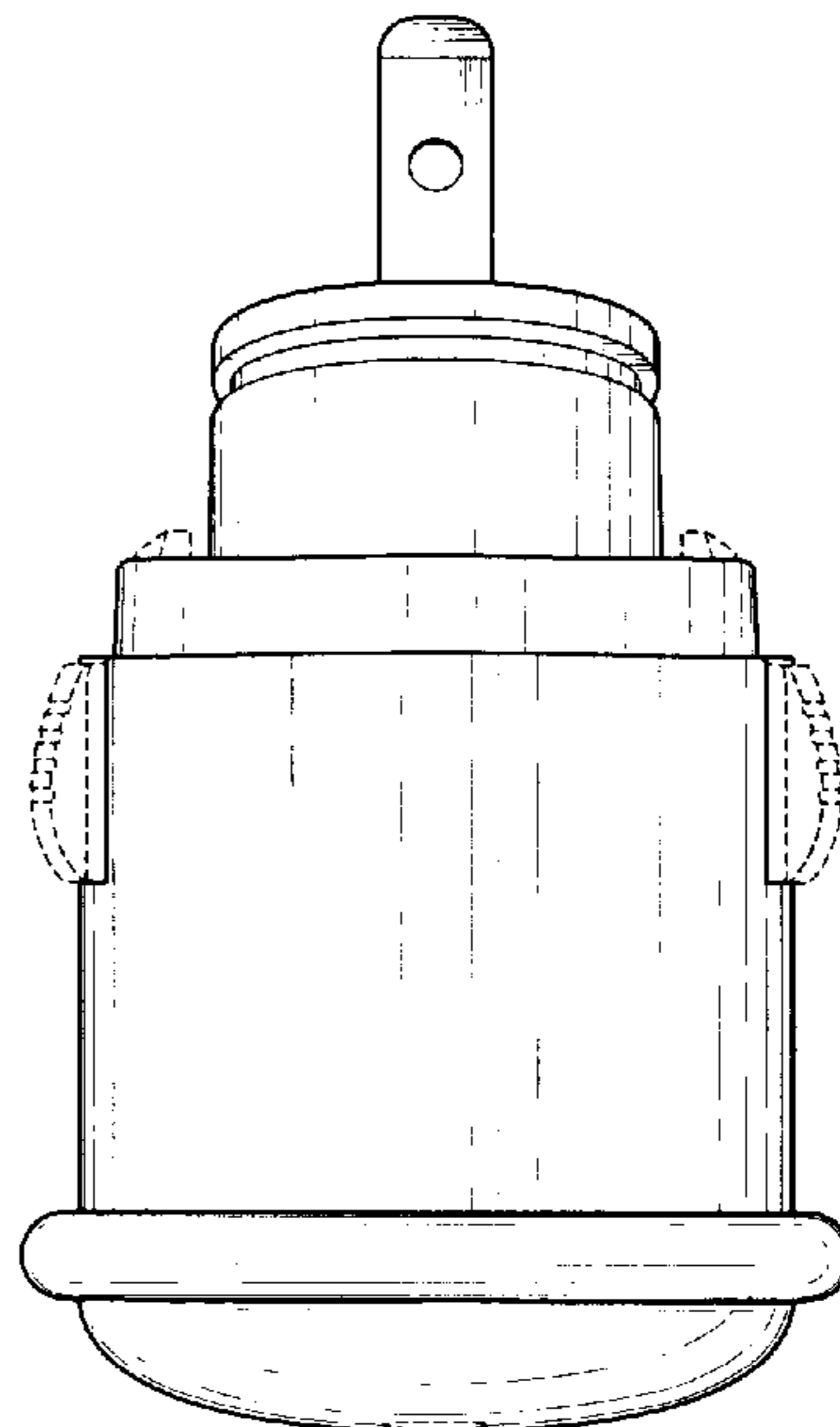




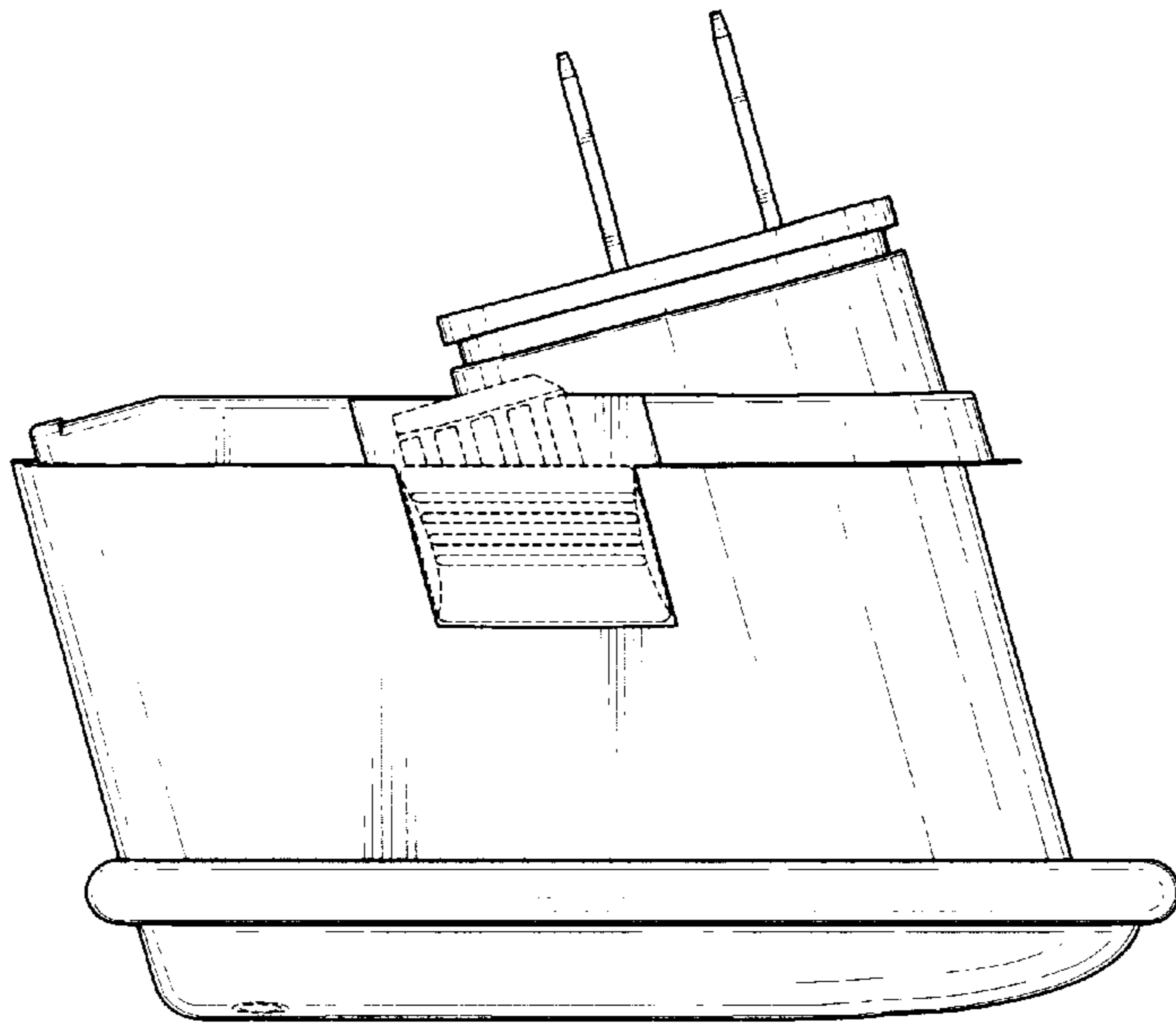
*Fig. 1*



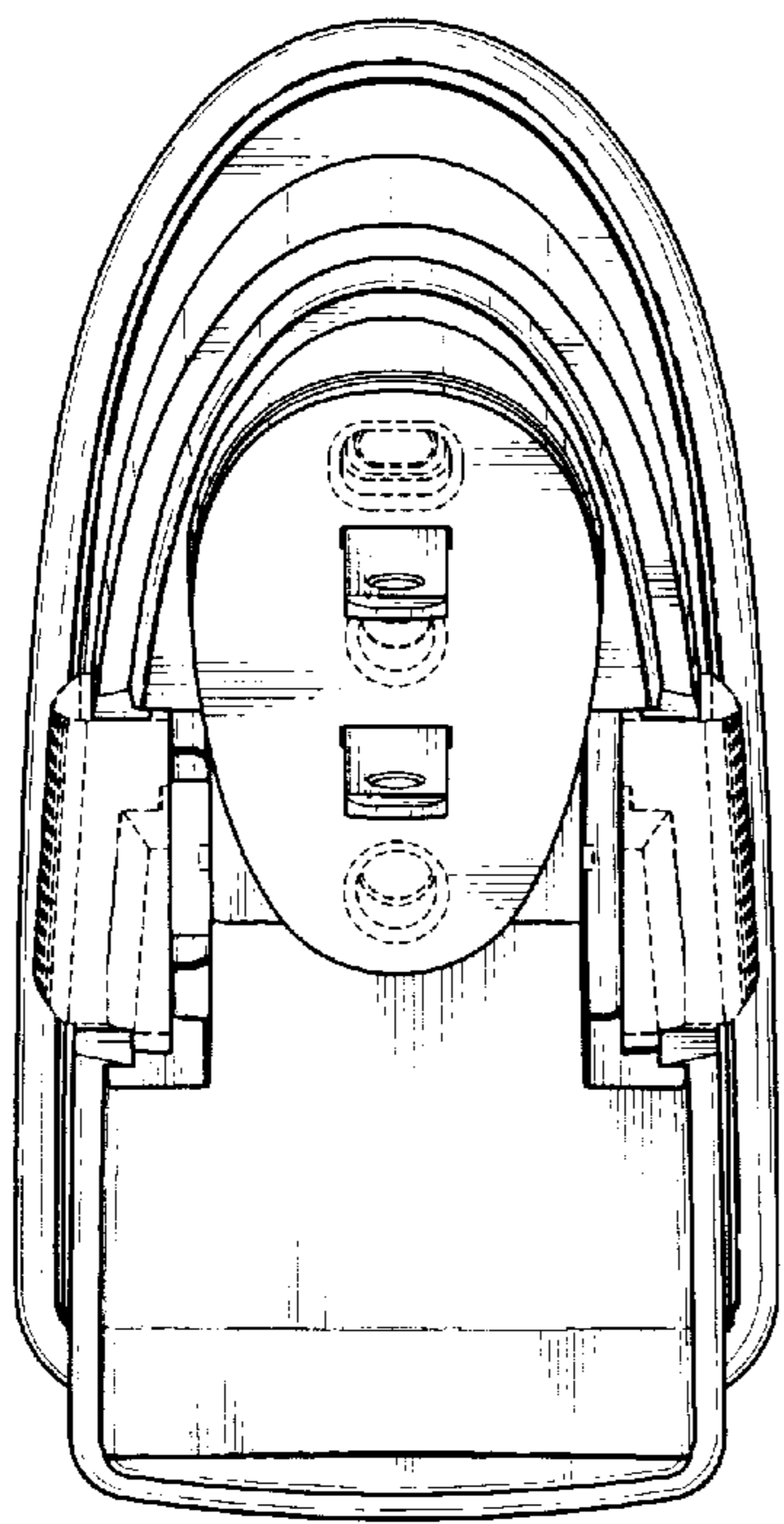
*Fig. 2*



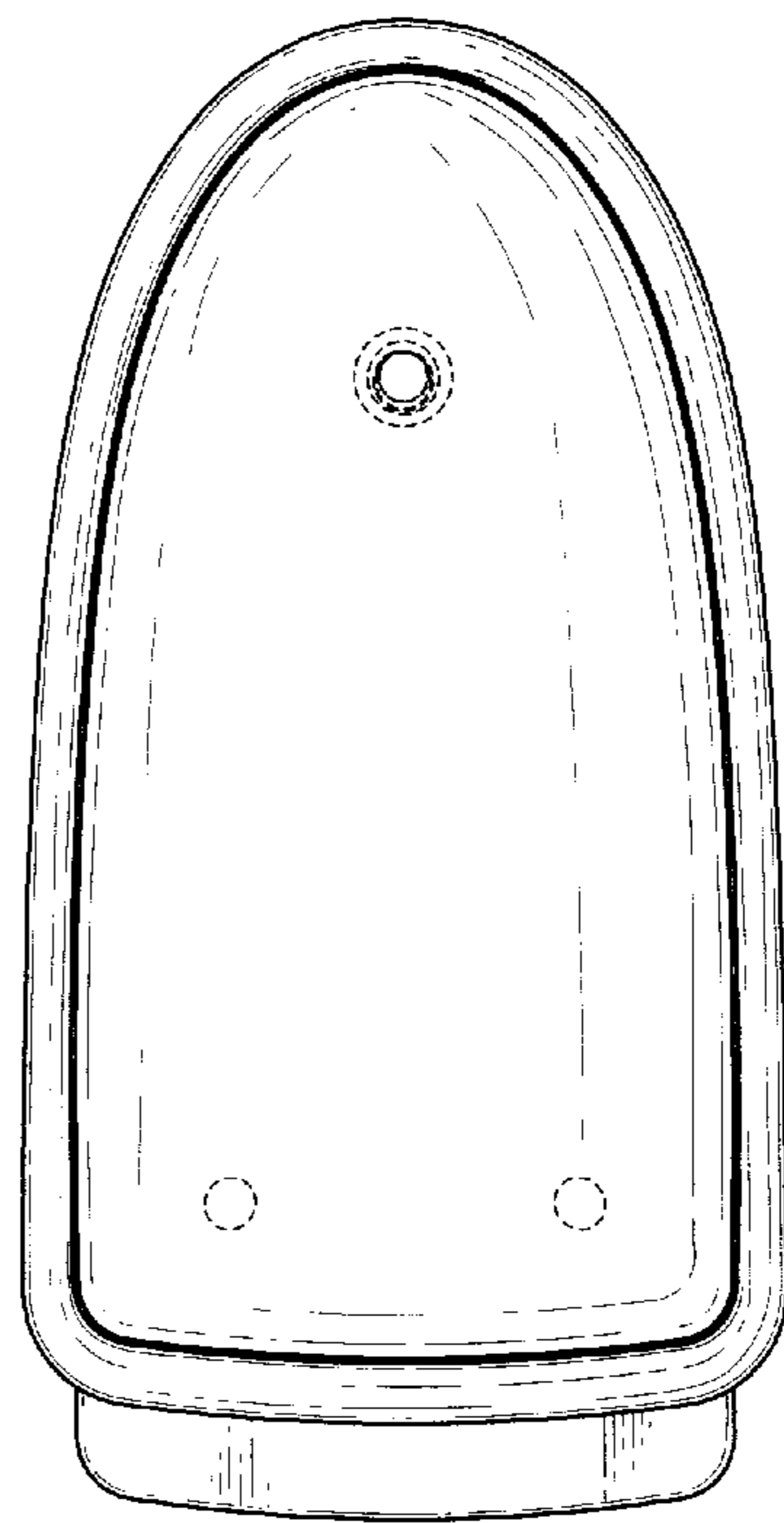
*Fig. 3*



*Fig. 4*



*Fig. 5*



*Fig. 6*