



US00D415098S

United States Patent [19] Zimmer

[11] **Patent Number: Des. 415,098**

[45] **Date of Patent: ** Oct. 12, 1999**

[54] **BATTERY HOUSING FOR CONSTRUCTION TOY SET**

5,869,204 2/1999 Kottke et al. 429/100
5,872,831 2/1999 Zoiss et al. 429/99

[75] Inventor: **John Zimmer**, Blue Bell, Pa.

Primary Examiner—Adir Aronovich
Attorney, Agent, or Firm—Schweitzer Cornman Gross & Bondell LLP

[73] Assignee: **Connector Set Limited Partnership**, Hatfield, Pa.

[**] Term: **14 Years**

[57] **CLAIM**

The ornamental design for a battery housing for construction toy set, as shown and described.

[21] Appl. No.: **29/077,451**

DESCRIPTION

[22] Filed: **Oct. 3, 1997**

FIG. 1 is a perspective view thereof as viewed from the front and above.

[51] **LOC (6) Cl.** **13-02**

[52] **U.S. Cl.** **D13/103; D21/484; D21/493**

FIG. 2 is a perspective view thereof as viewed from the rear and below.

[58] **Field of Search** D13/103, 118;
D21/484, 493, 495; 429/63, 76, 97-100

FIG. 3 is a side elevation thereof from a first side.

FIG. 4 is a bottom plan view thereof.

FIG. 5 is a side elevation thereof from a second side.

FIG. 6 is a top plan view thereof.

FIG. 7 is a back elevation thereof; and,

FIG. 8 is a front elevation thereof.

[56] **References Cited**

U.S. PATENT DOCUMENTS

- D. 361,309 8/1995 White D13/103
- D. 365,801 1/1996 Lindhahl D13/103
- D. 379,345 5/1997 Richards et al. D13/103

1 Claim, 5 Drawing Sheets

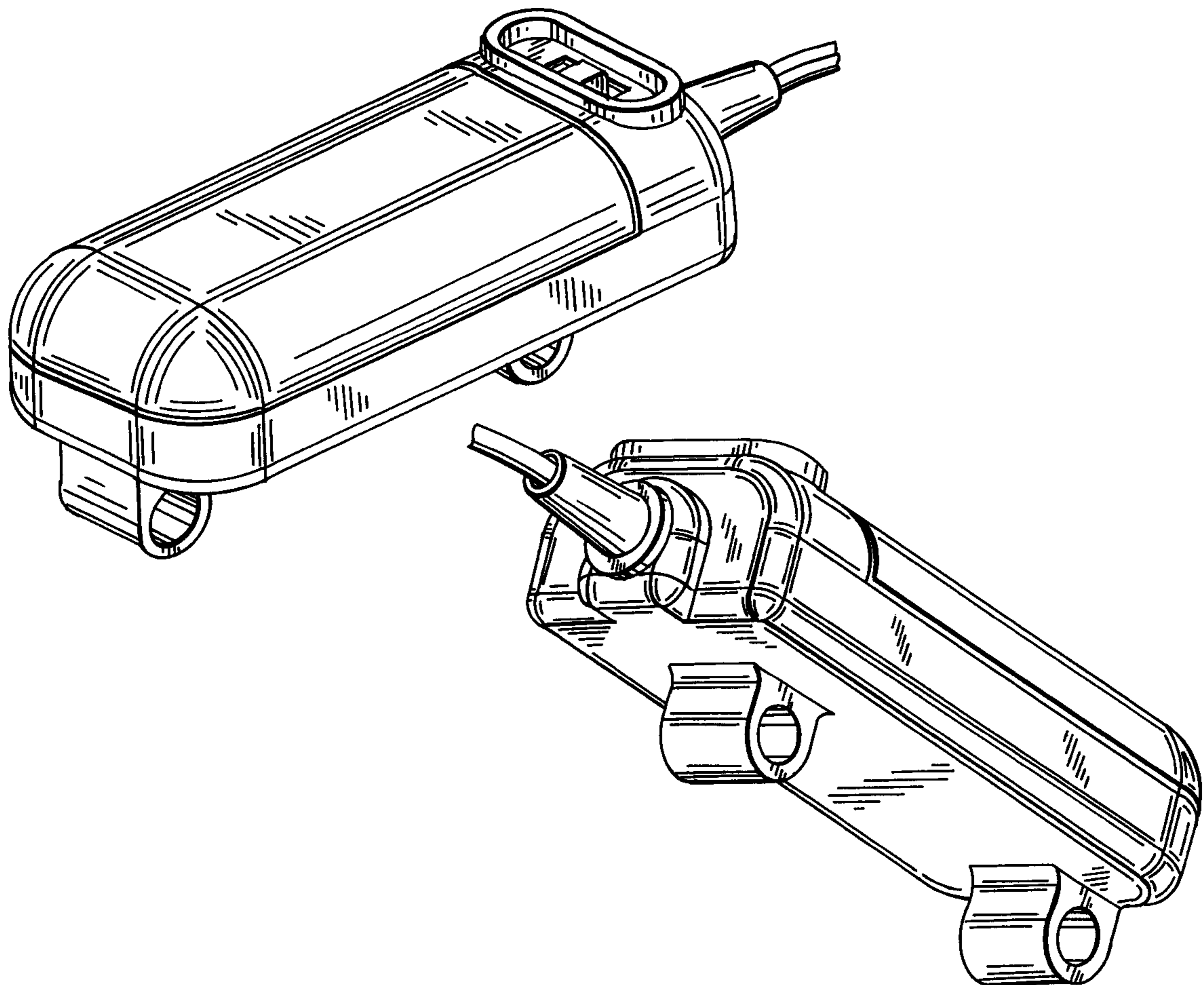
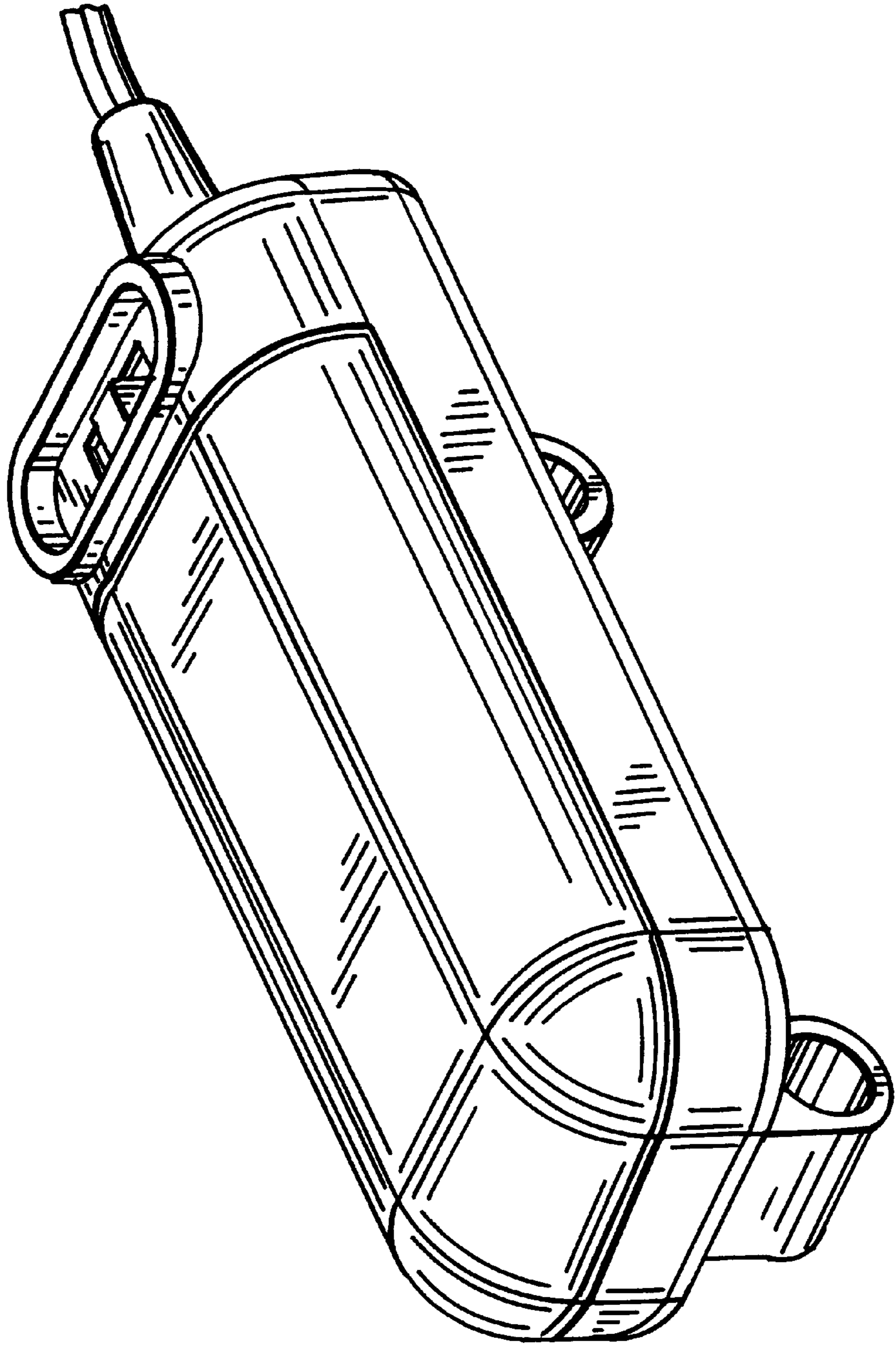


FIG. 1



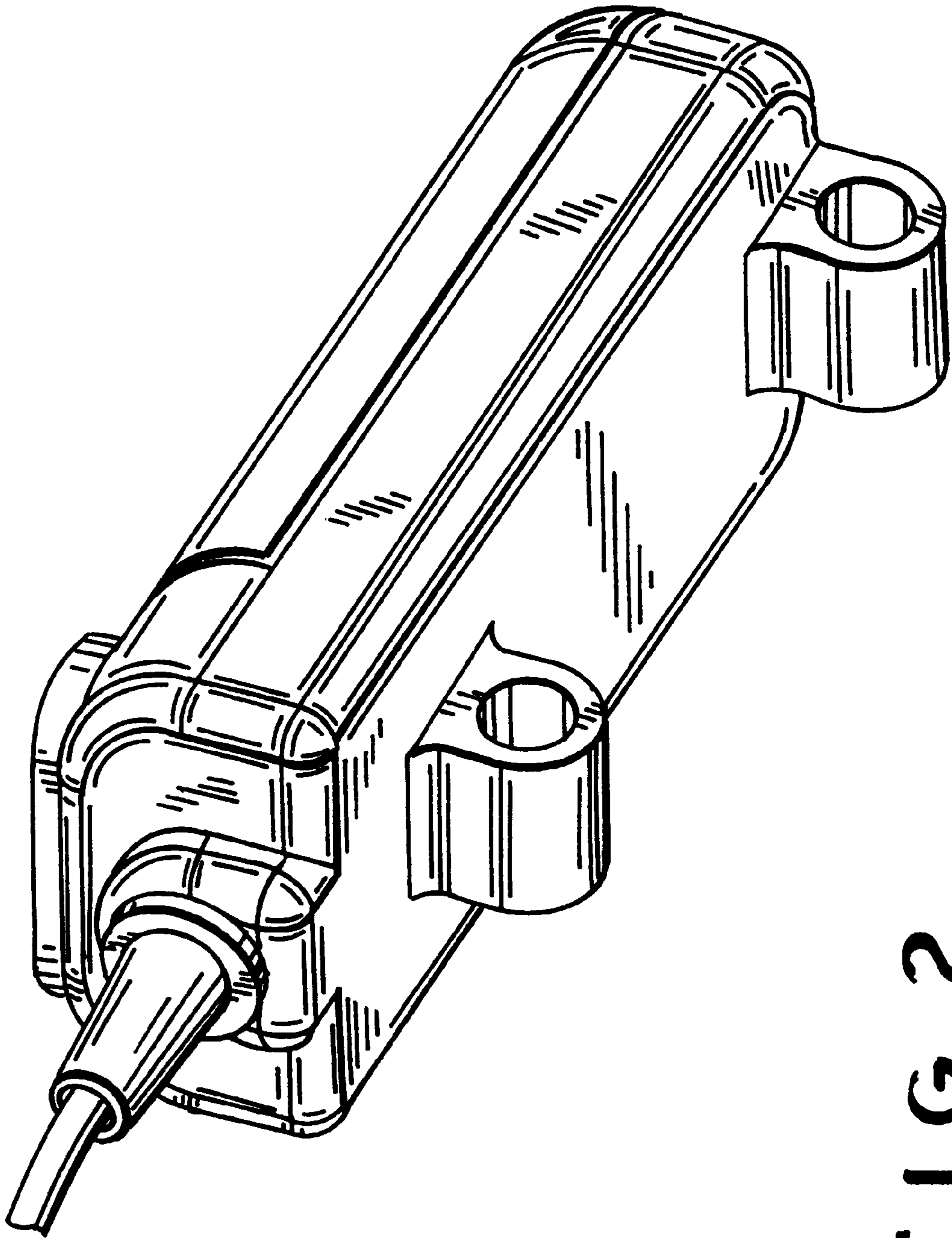


FIG. 2

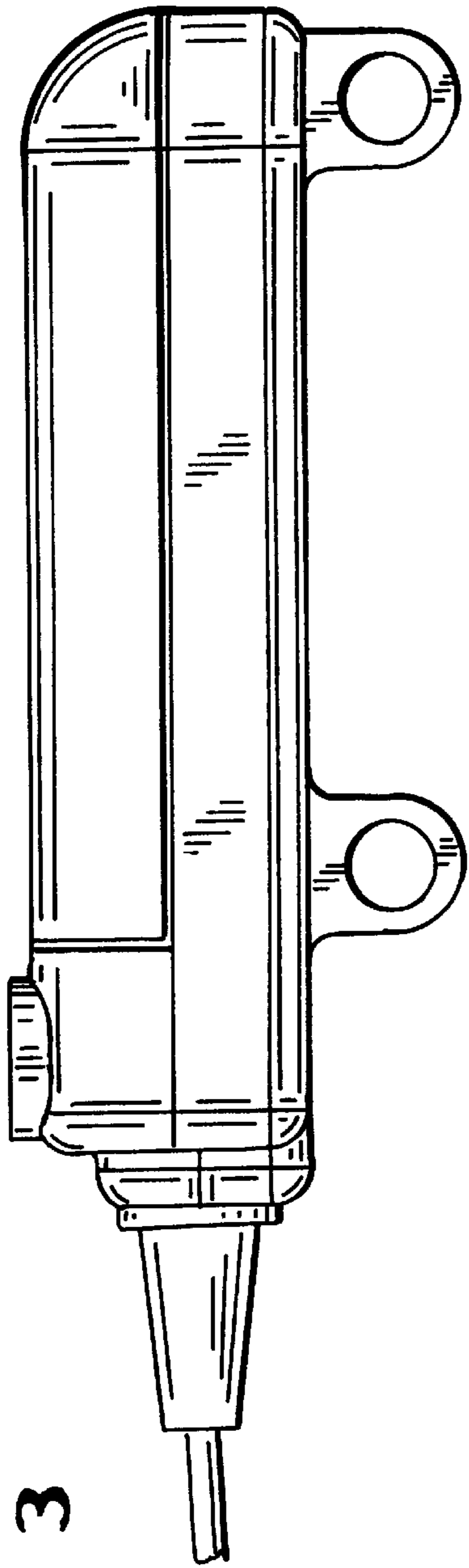


FIG. 3

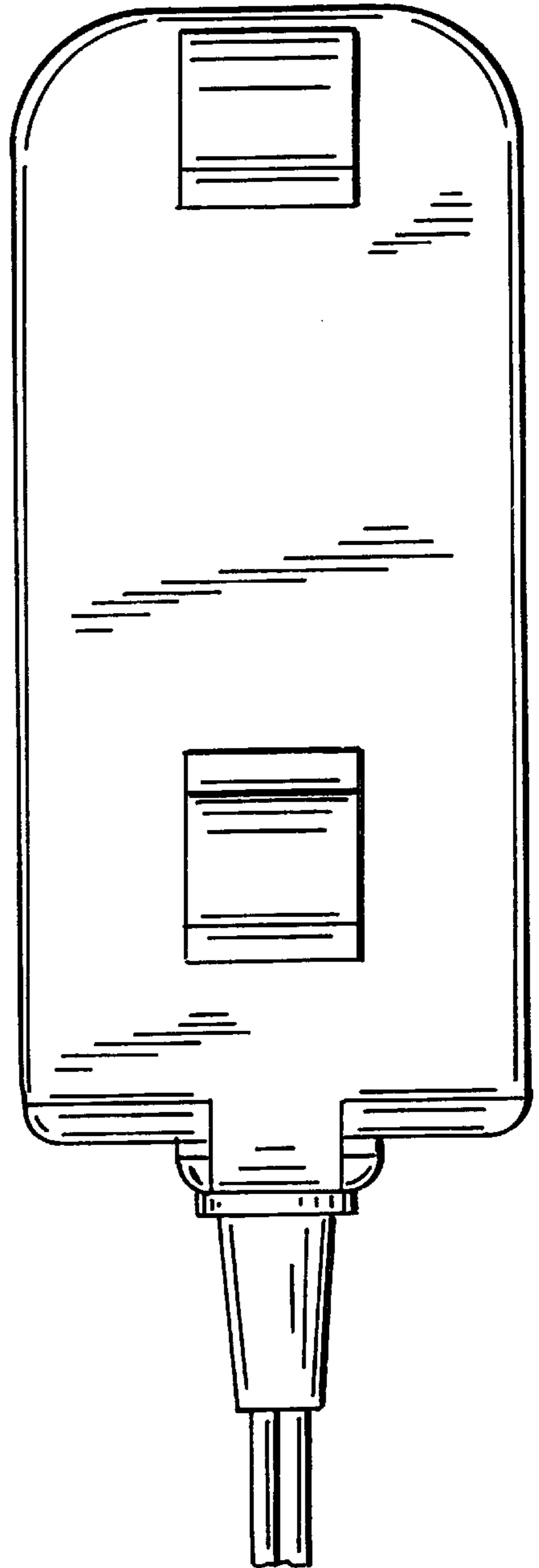


FIG. 4

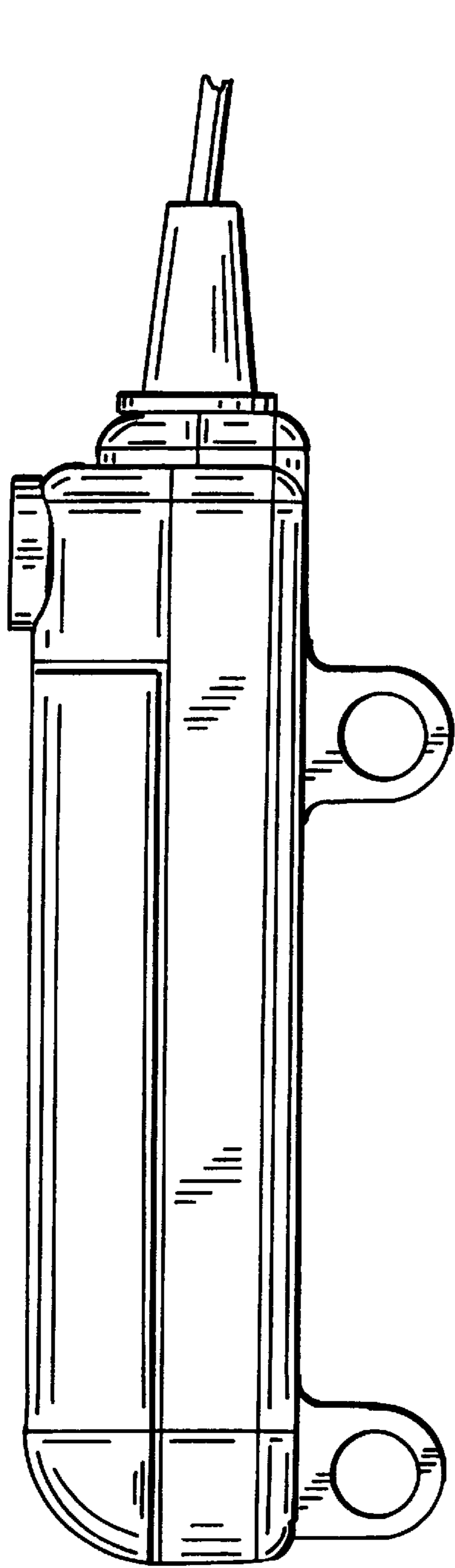


FIG. 5

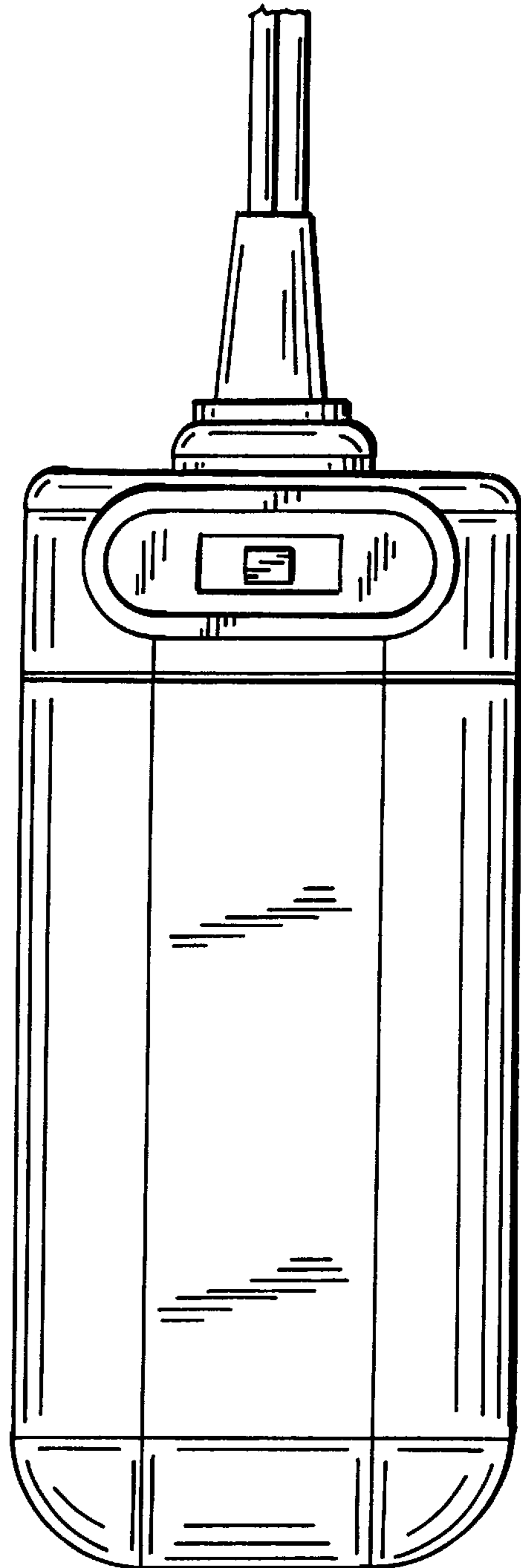


FIG. 6

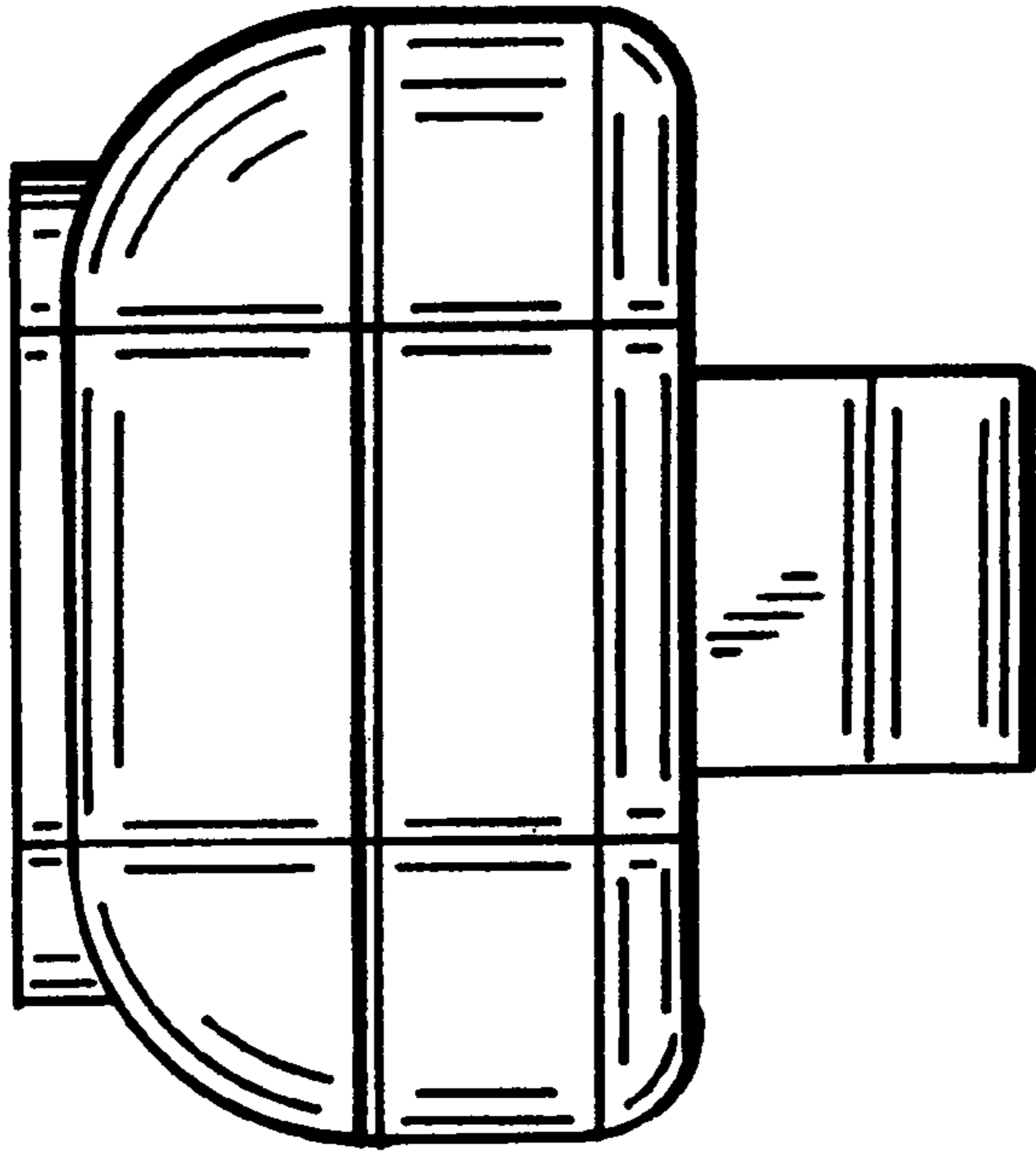


FIG. 7

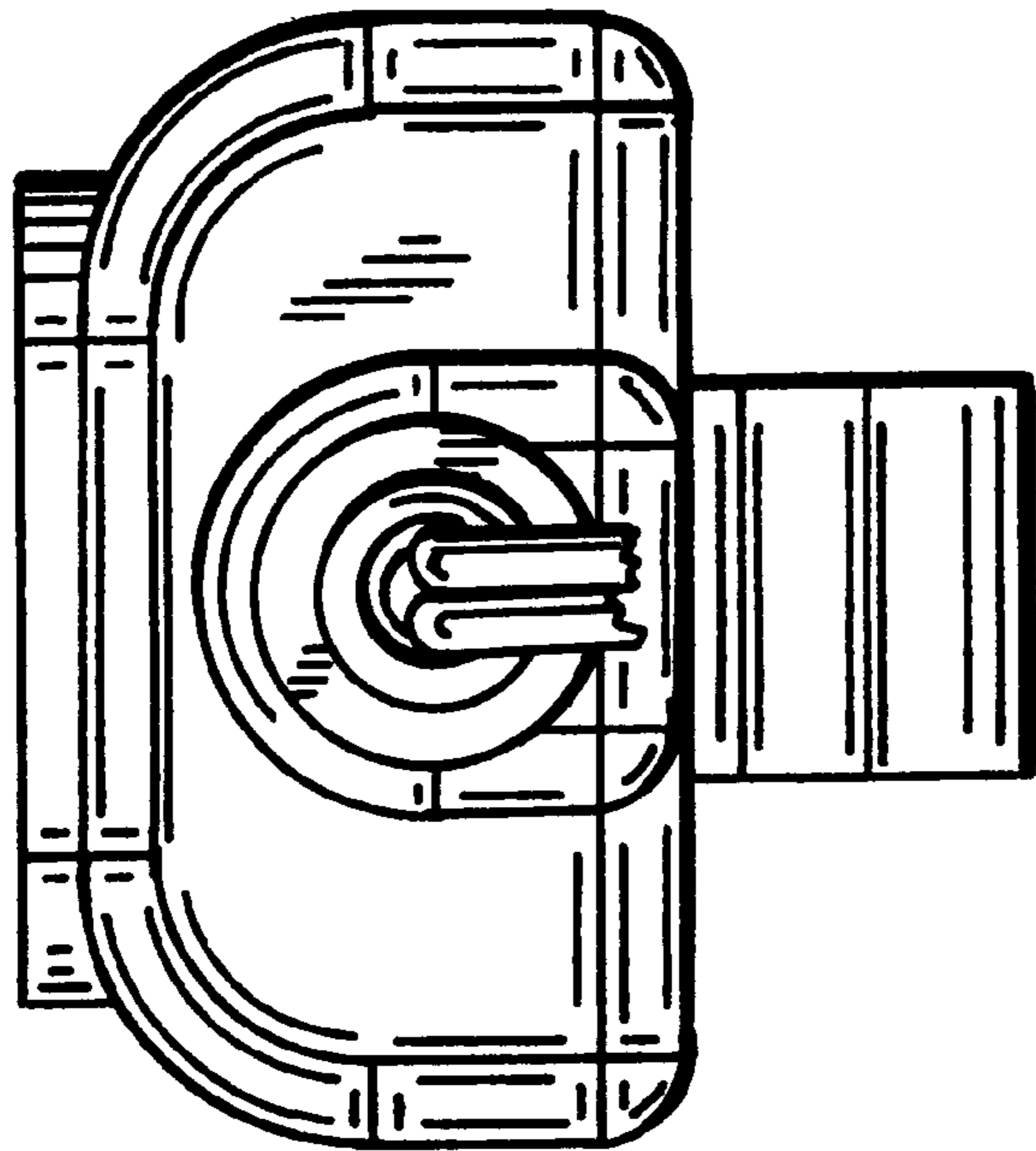


FIG. 8