



US00D415095S

United States Patent [19]
Goldsmith

[11] **Patent Number: Des. 415,095**

[45] **Date of Patent: ** Oct. 12, 1999**

[54] **BOAT CUP HOLDER**

DESCRIPTION

[75] Inventor: **Howard G. Goldsmith**, South
Kingstown, R.I.
[73] Assignee: **Chem-Tainer Industries, Inc.**, North
Babylon, N.Y.
[**] Term: **14 Years**
[21] Appl. No.: **29/097,165**
[22] Filed: **Dec. 1, 1998**
[51] **LOC (6) Cl.** **12-06**
[52] **U.S. Cl.** **D12/317; D12/318**
[58] **Field of Search** **D12/300, 315,**
D12/317, 318, 309, 419; 114/343, 364;
D6/535; 206/315.11

[56] **References Cited**

U.S. PATENT DOCUMENTS

4,681,219 7/1987 Kitchens 206/315.11
4,773,348 9/1988 Rowley 114/219

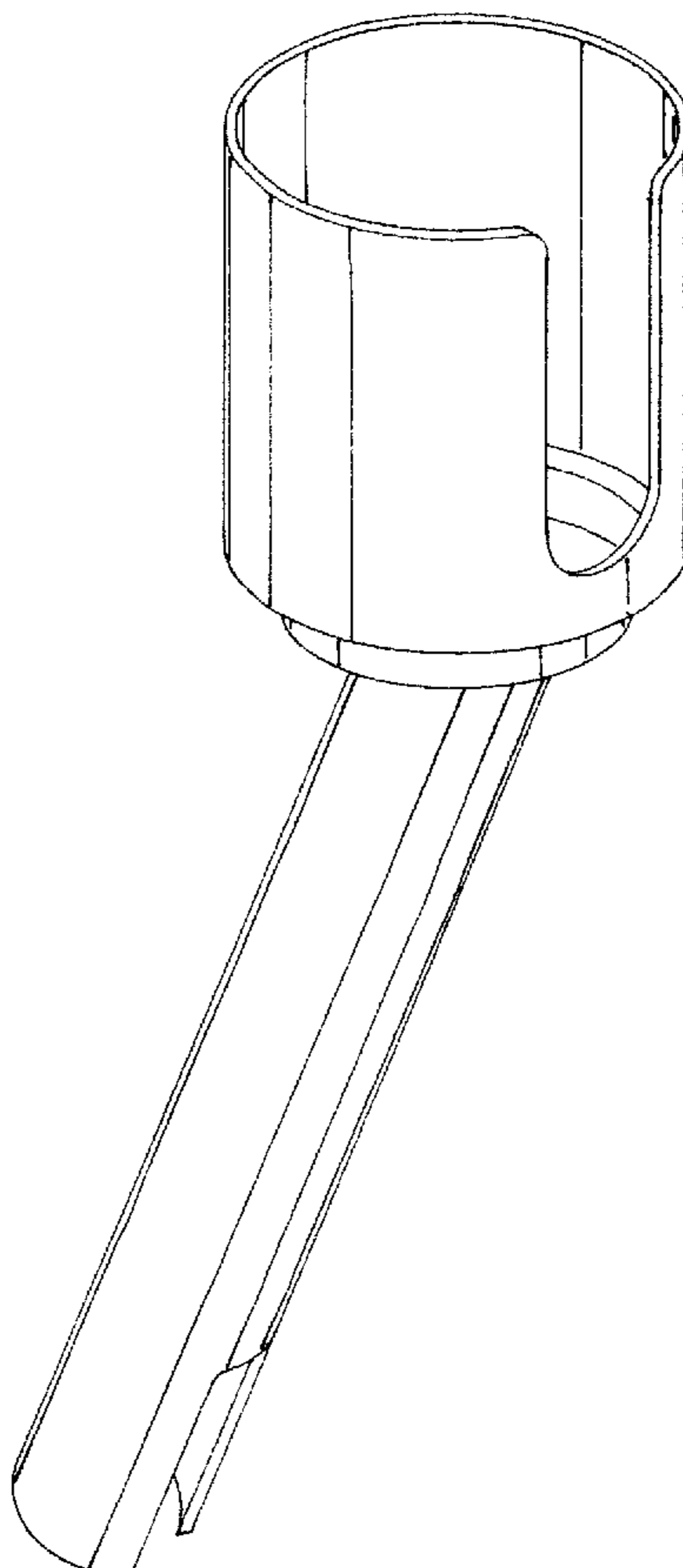
Primary Examiner—Kay H. Chin
Attorney, Agent, or Firm—Salter & Michaelson

[57] **CLAIM**

The ornamental design for a boat cup holder, as shown and described.

FIG. 1 is a perspective view of a boat cup holder showing my new design;
FIG. 2 is a left side elevational view thereof;
FIG. 3 is a right side elevational view thereof;
FIG. 4 is a top plan view thereof;
FIG. 5 is a bottom plan view thereof;
FIG. 6 is a front elevational view thereof;
FIG. 7 is a rear elevational view thereof;
FIG. 8 is a perspective view of my cup holder and of the mounting sleeve which receives the same;
FIG. 9 is a perspective view of my cup holder after insertion thereof in the mounting sleeve shown in FIG. 8;
FIG. 10 is a perspective view of a second embodiment of the boat cup holder;
FIG. 11 is a left side elevational view thereof;
FIG. 12 is a right side elevational view thereof;
FIG. 13 is a top plan view thereof;
FIG. 14 is a bottom plan view thereof;
FIG. 15 is a front elevational view thereof; and,
FIG. 16 is a rear elevational view thereof.
The portions shown in broken lines in FIGS. 8 and 9 are for information only and form no part of the instant design.

1 Claim, 7 Drawing Sheets



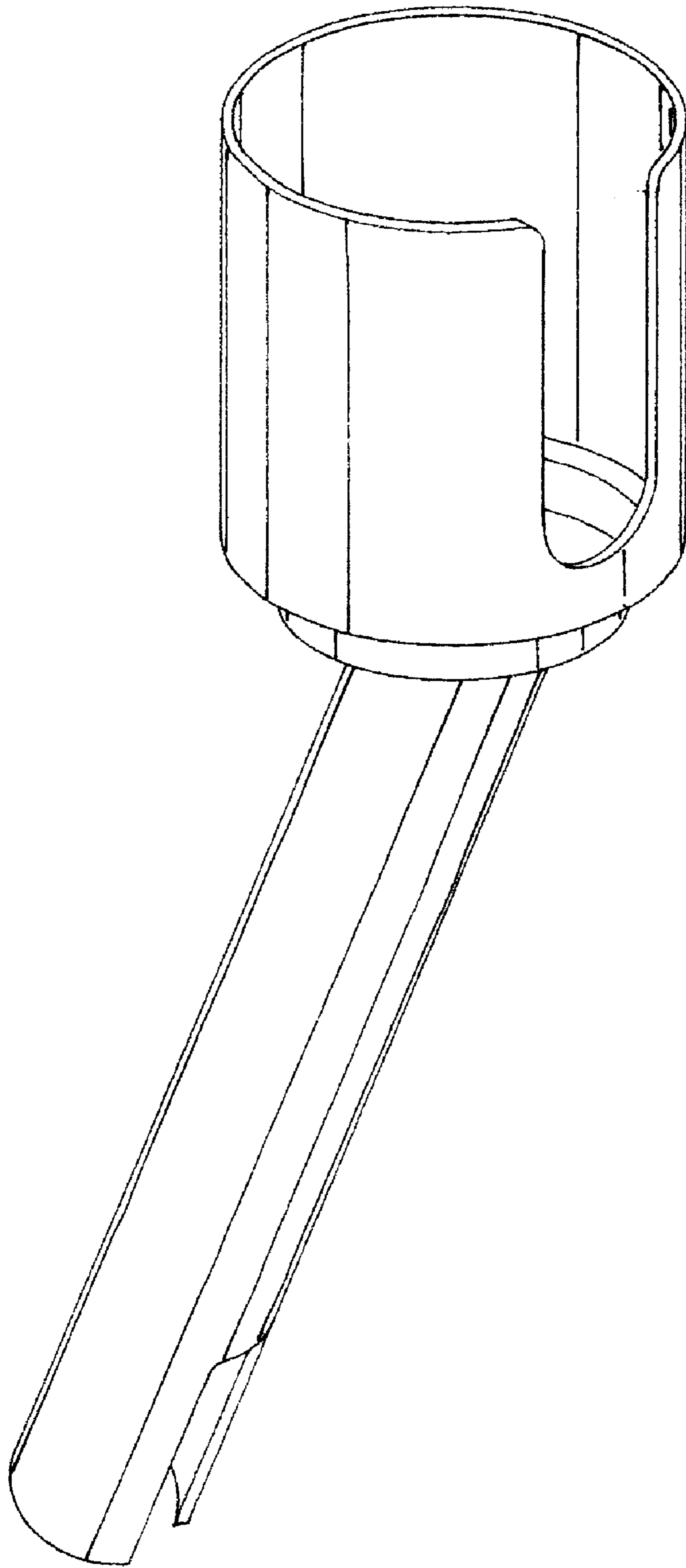


FIG. 1

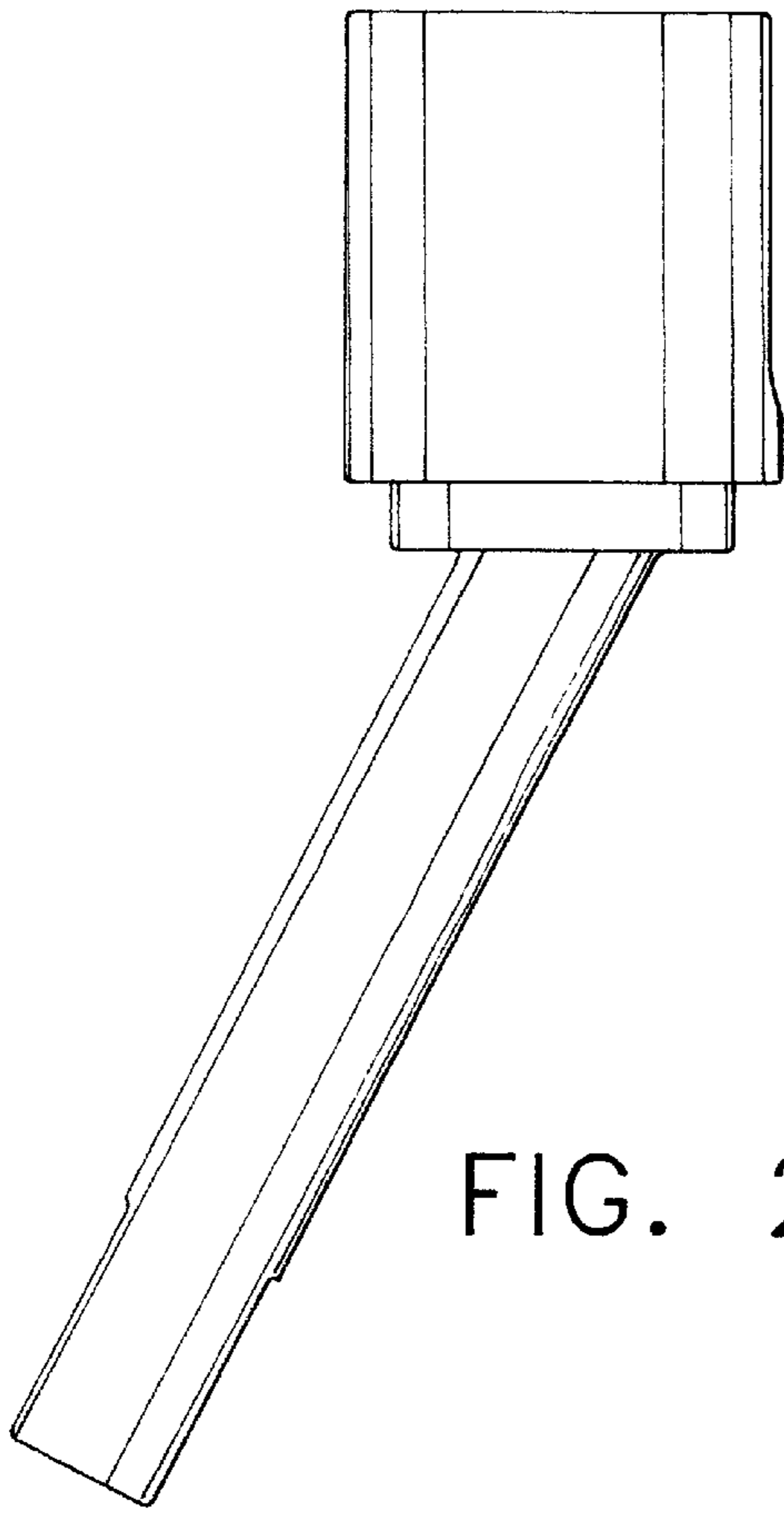


FIG. 2

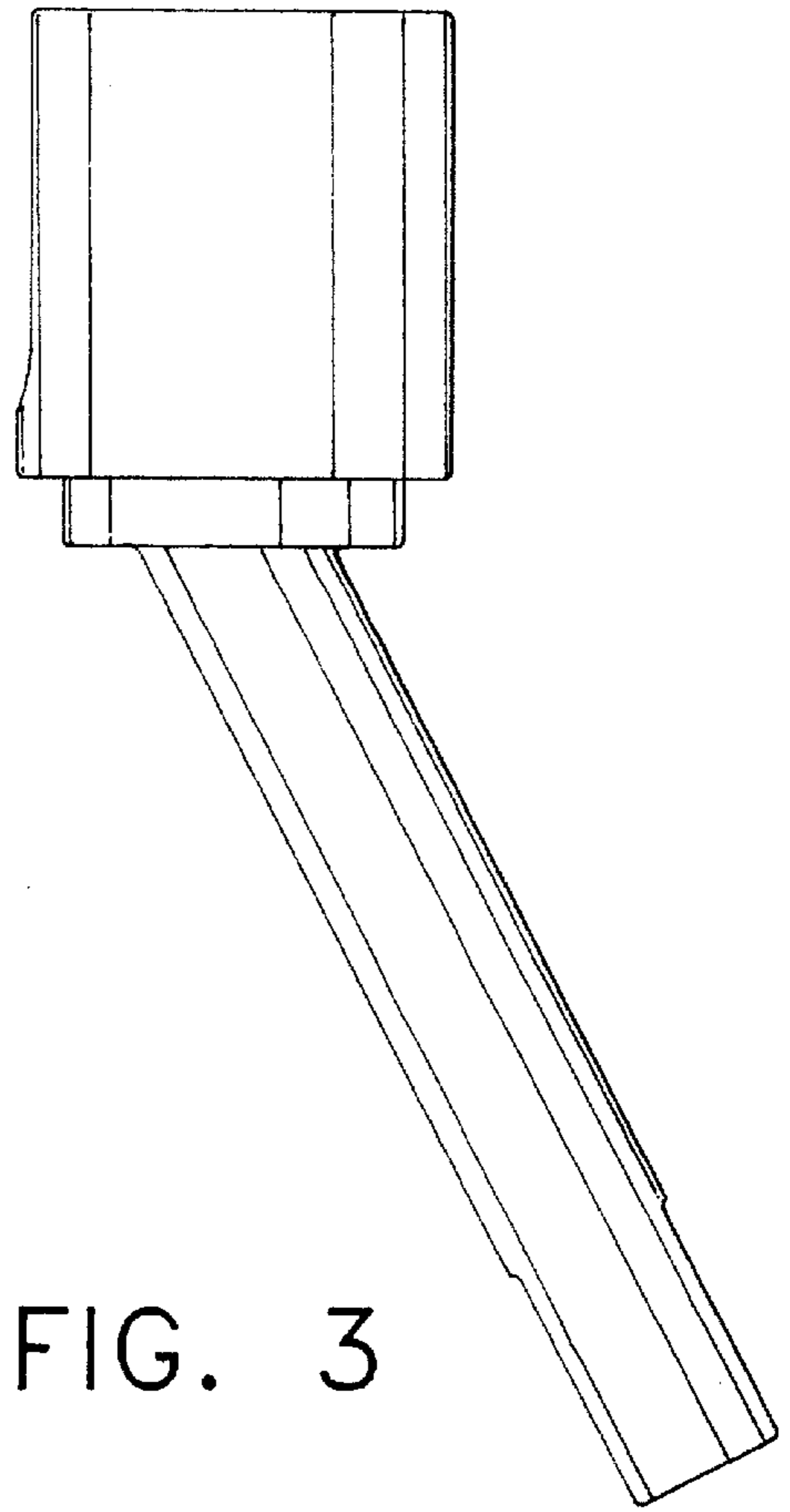


FIG. 3

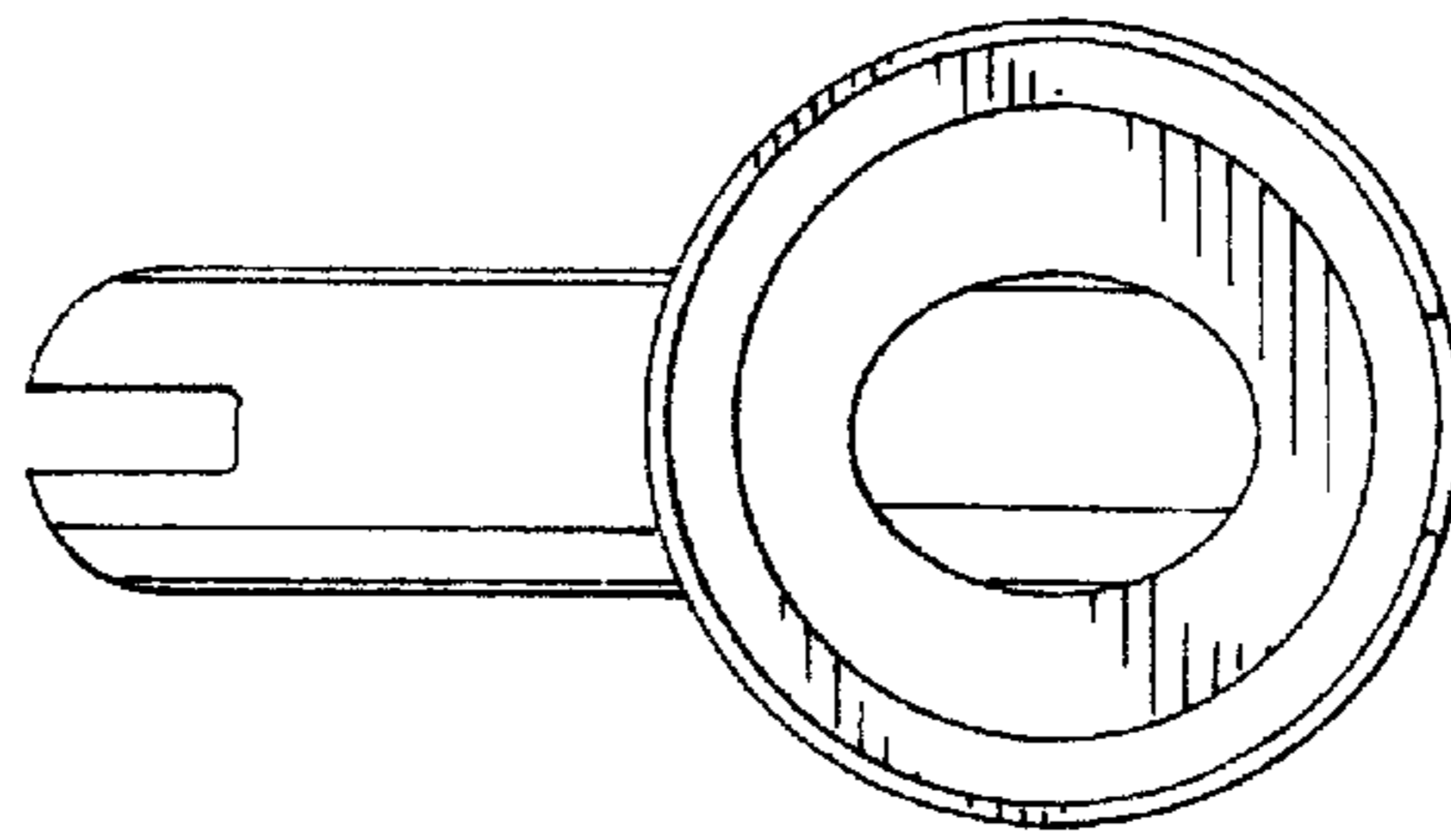


FIG. 4

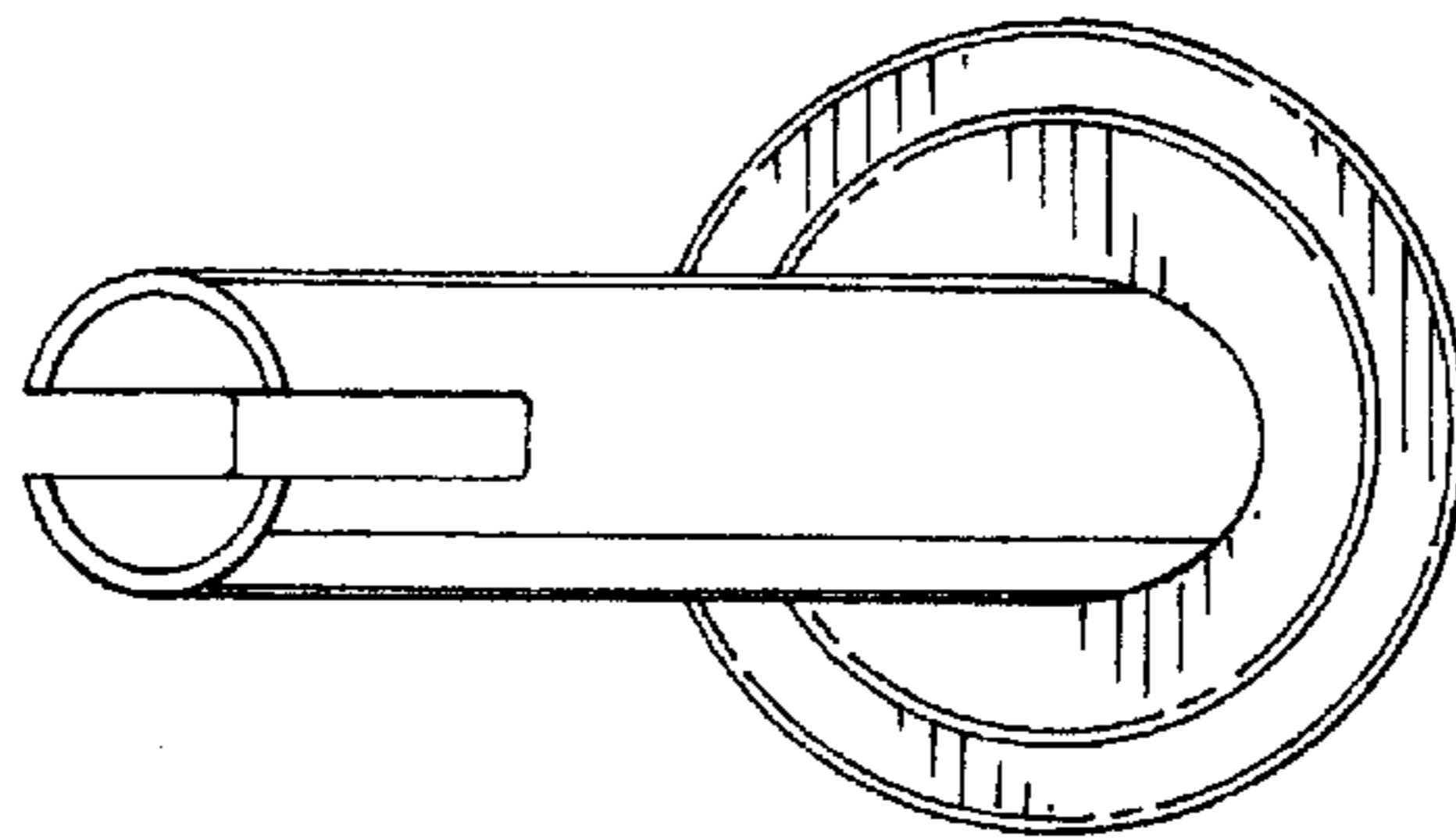


FIG. 5

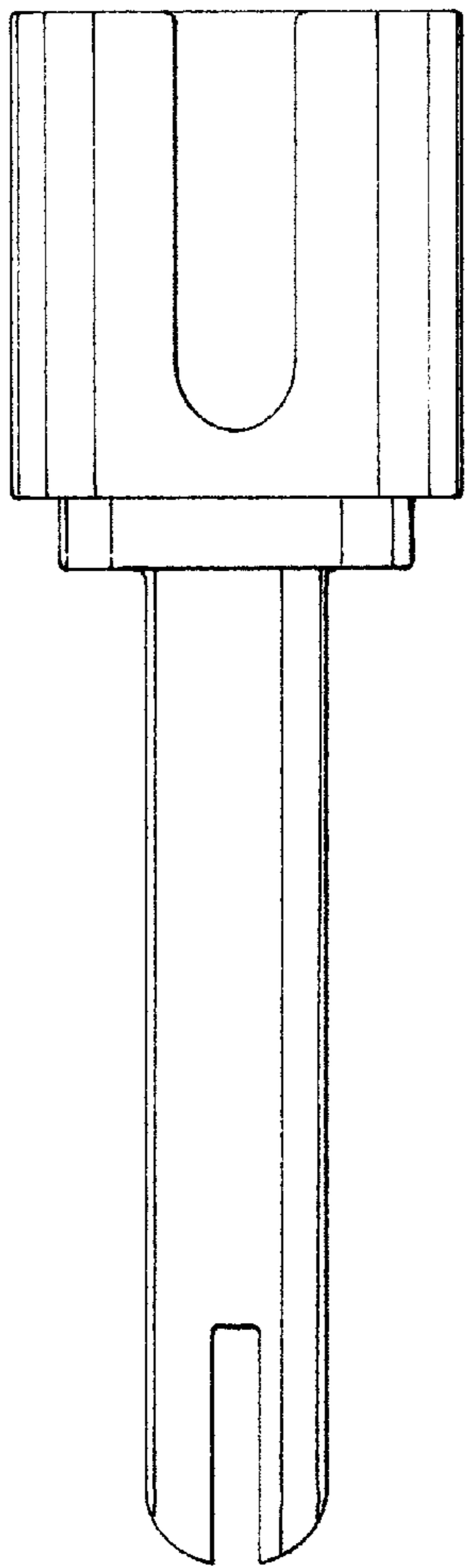


FIG. 6

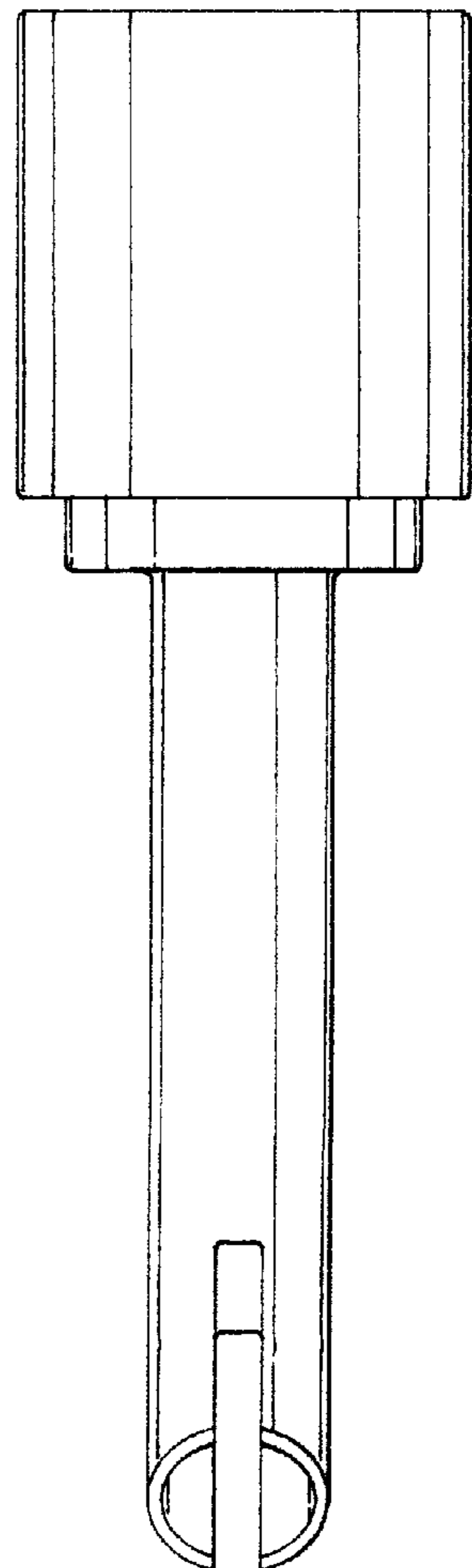


FIG. 7

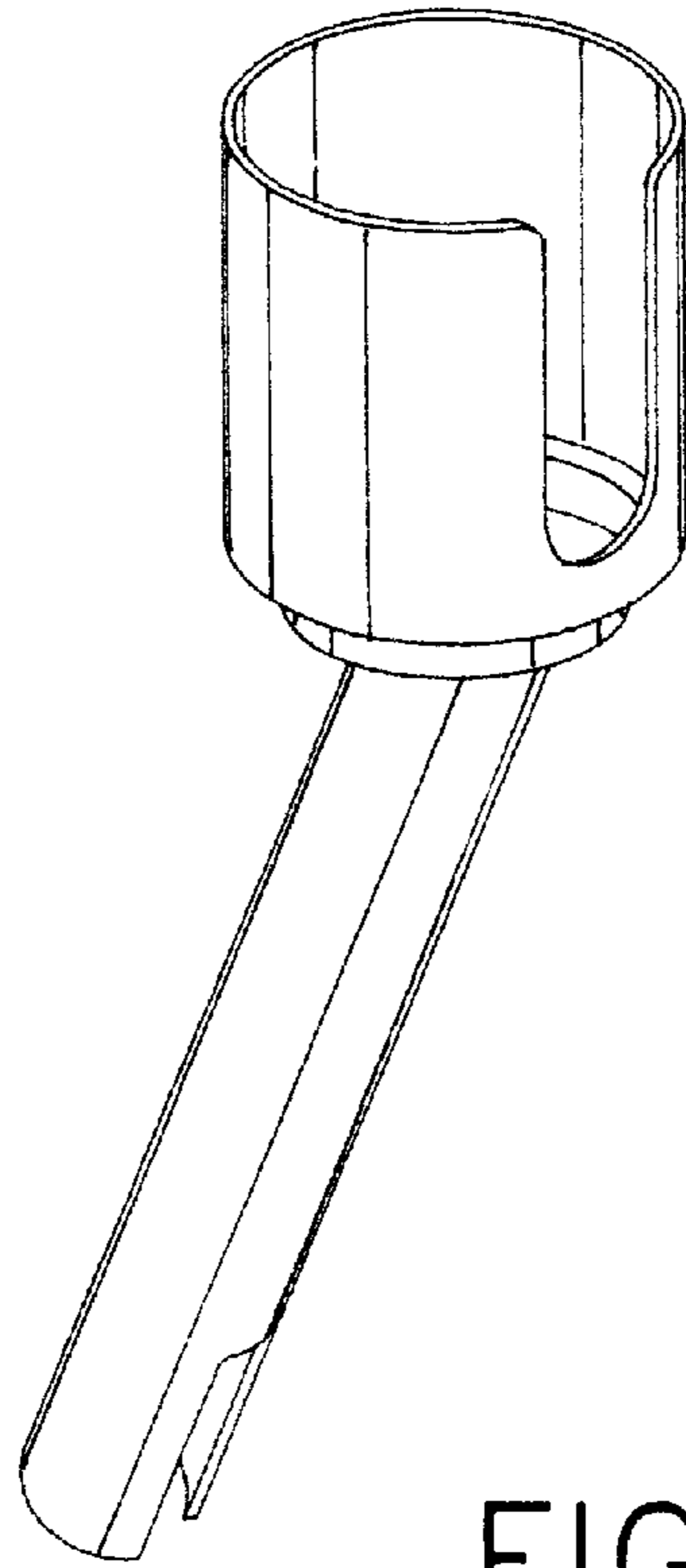


FIG. 8

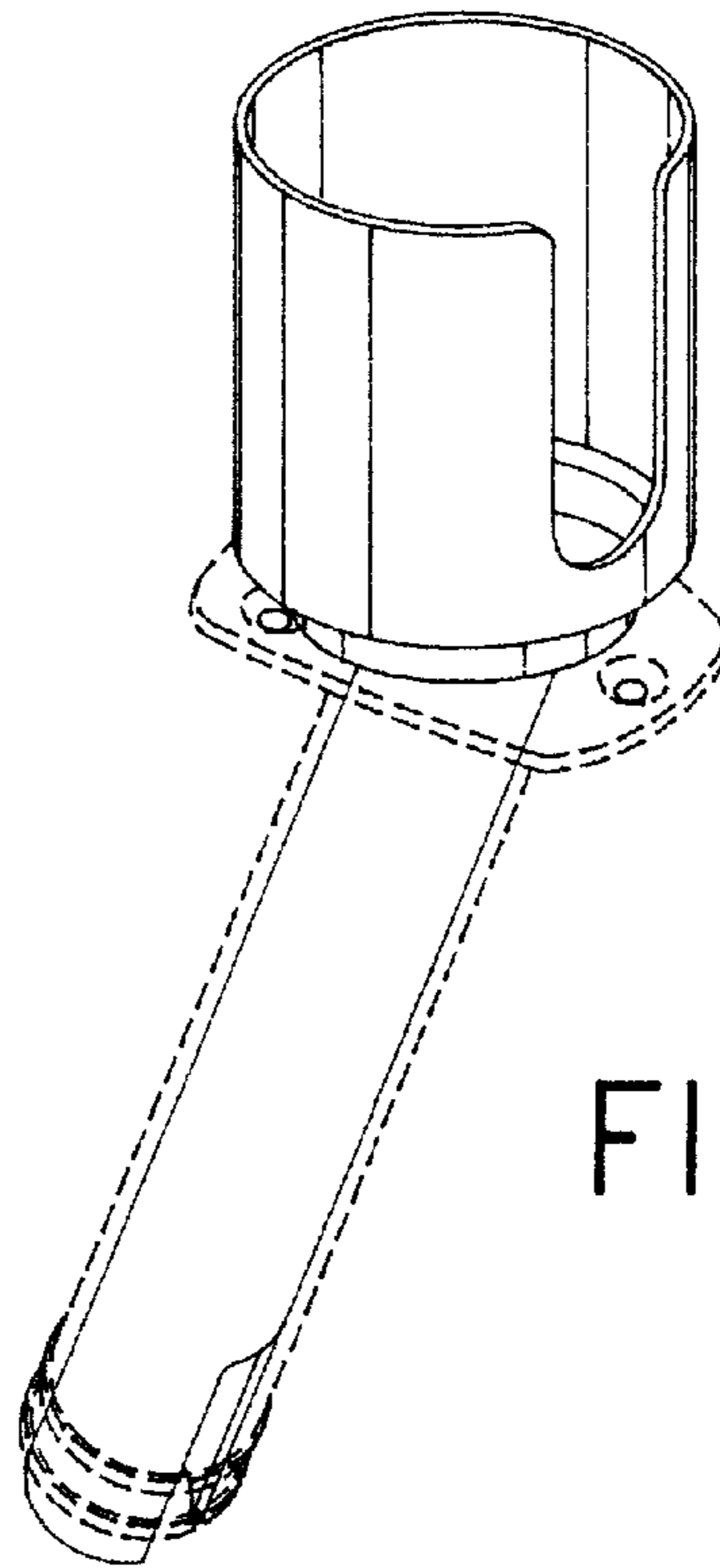
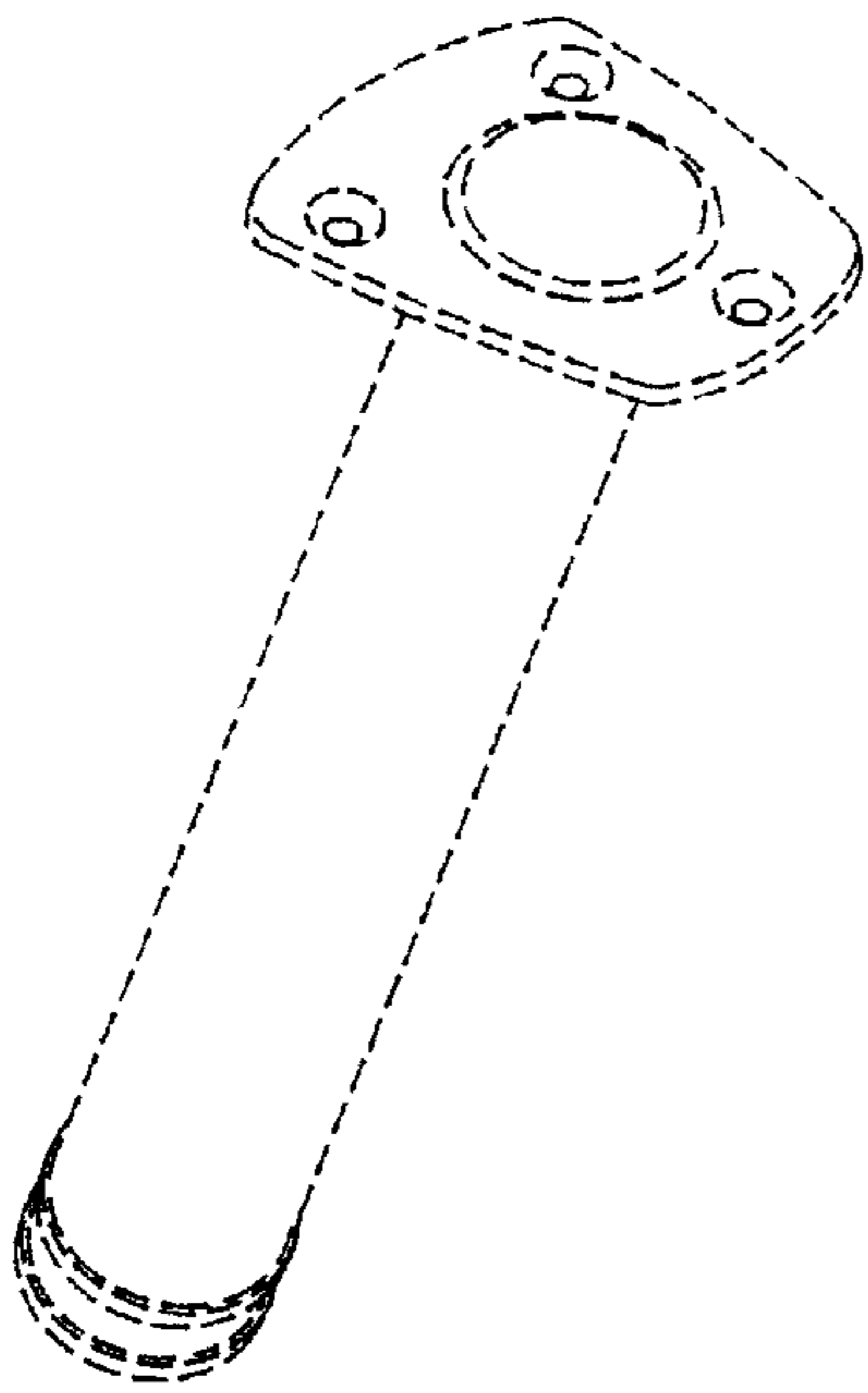


FIG. 9

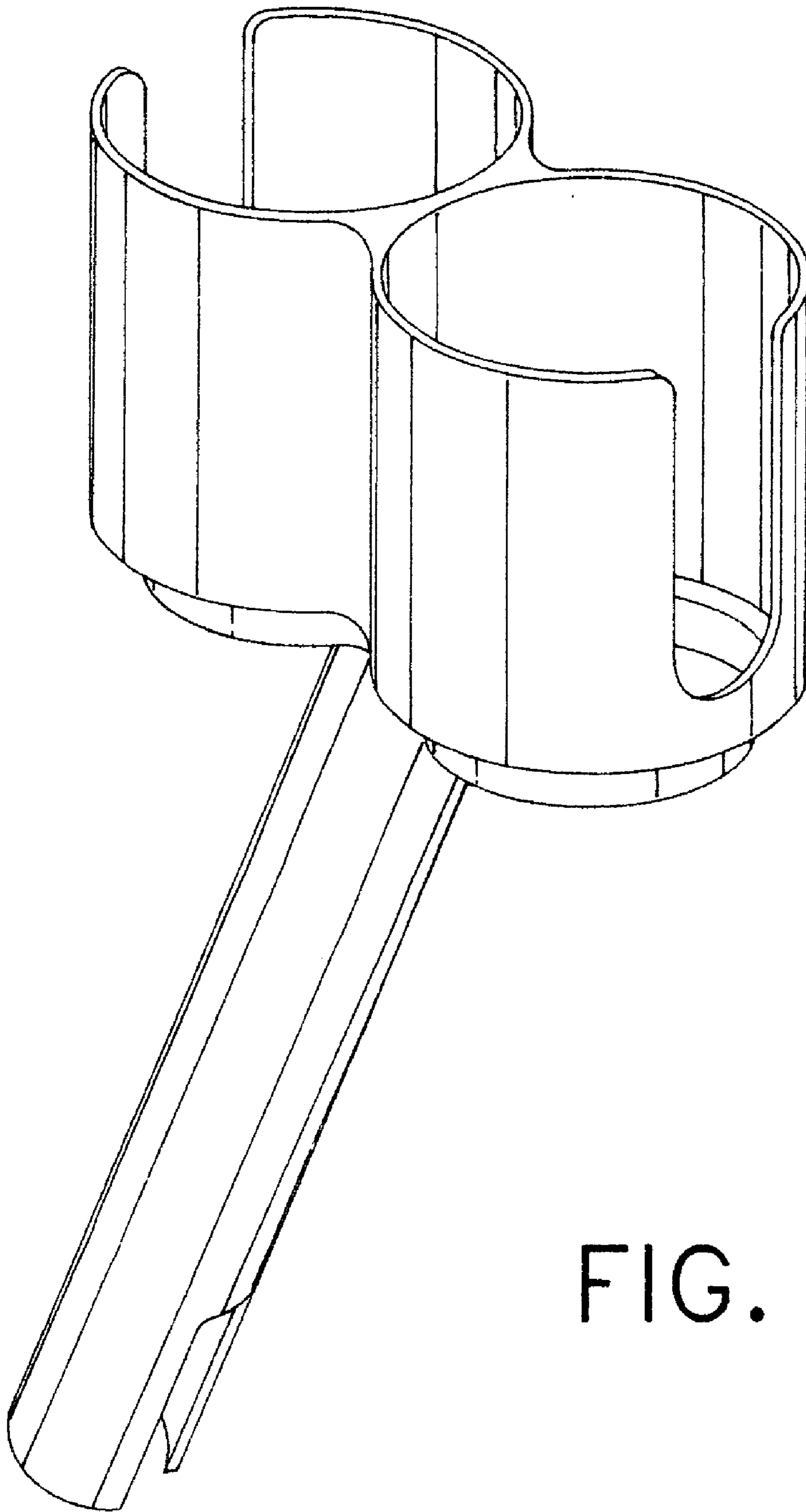


FIG. 10

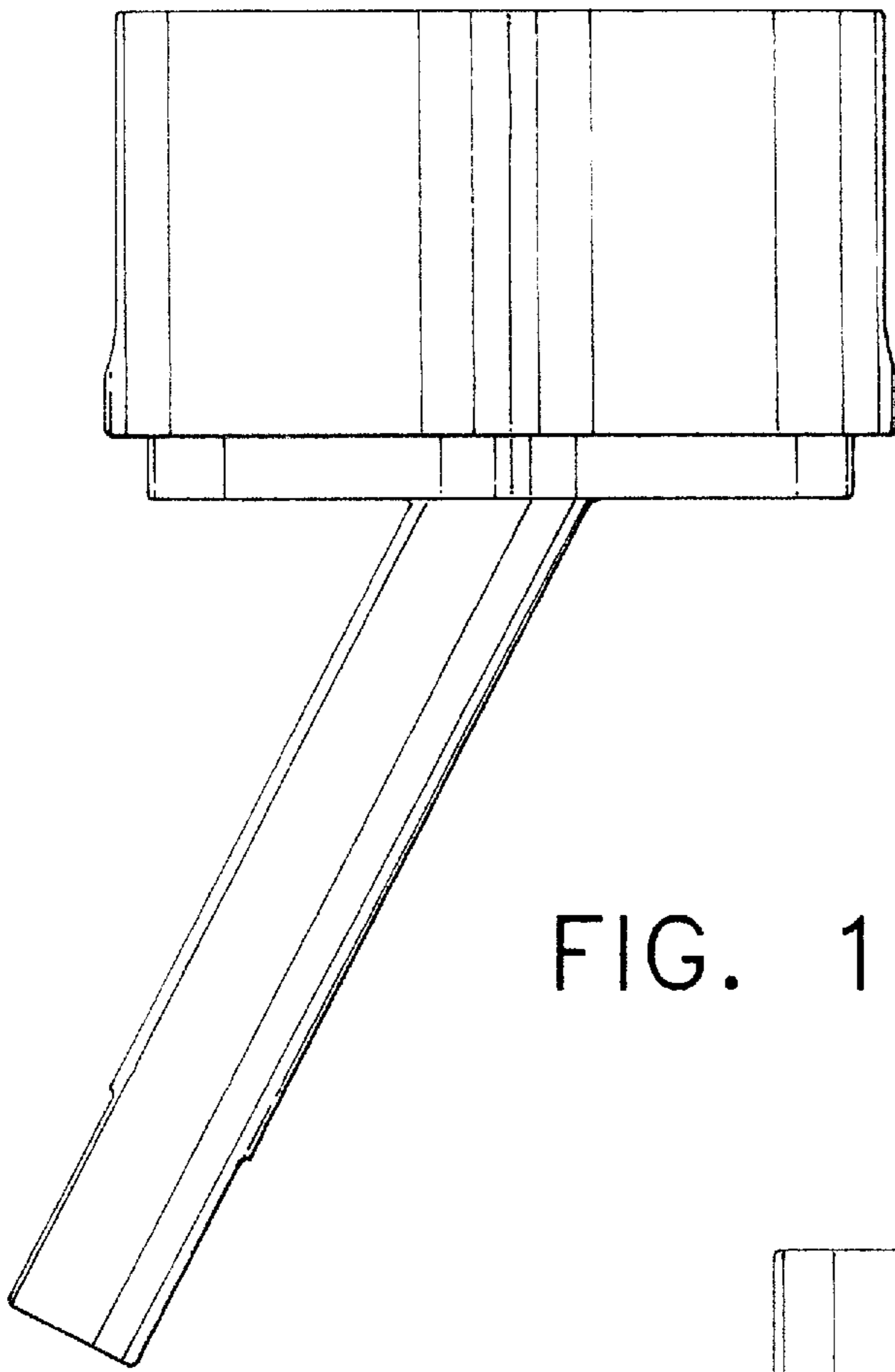


FIG. 11

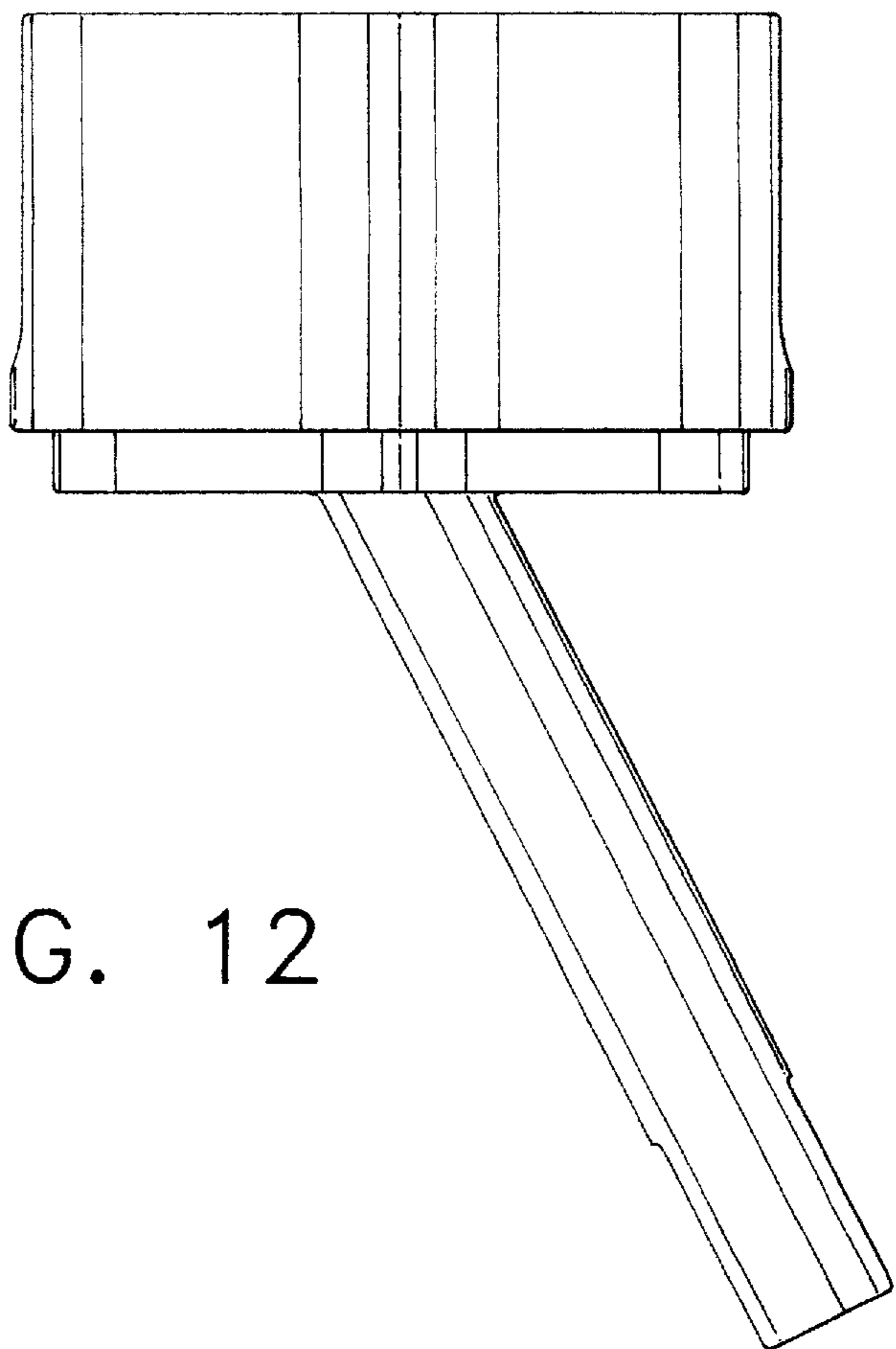


FIG. 12

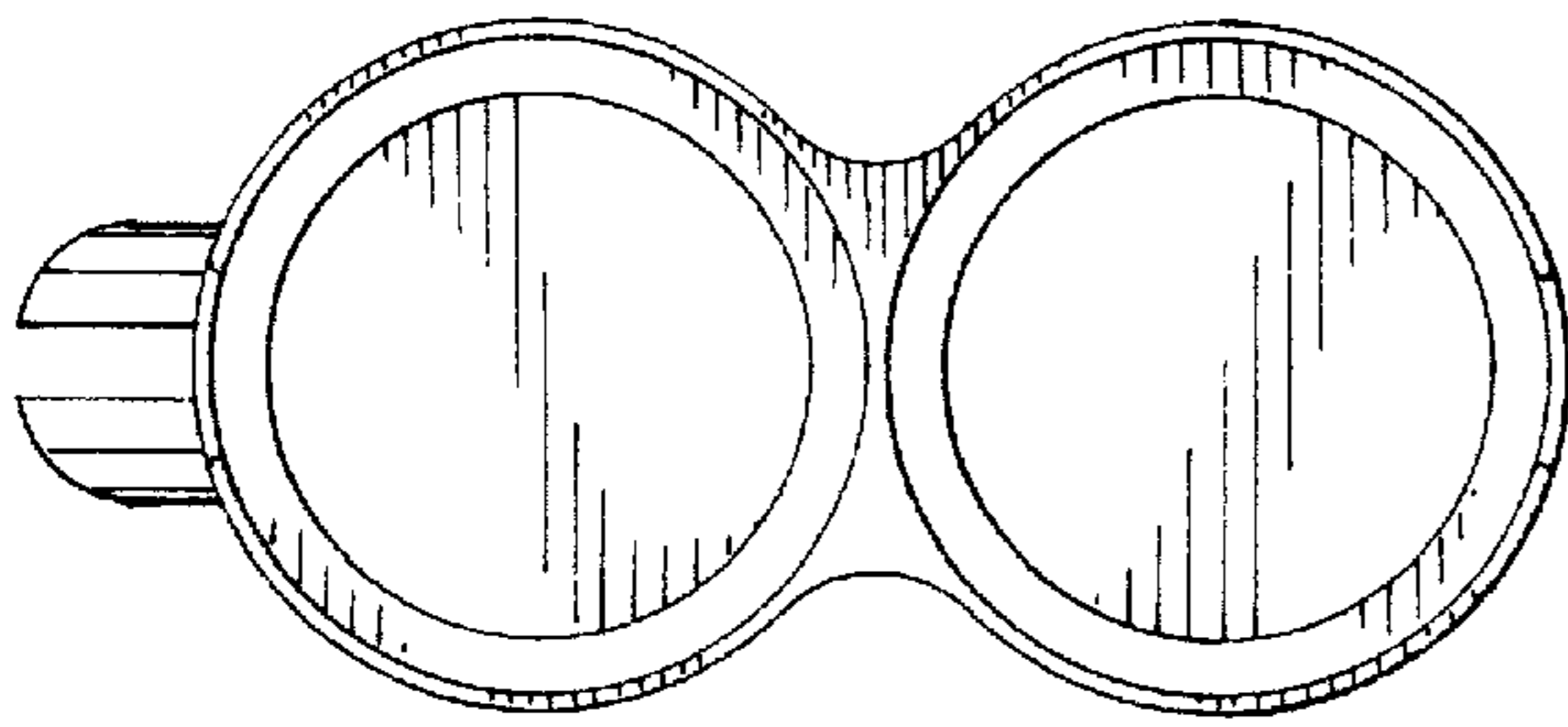


FIG. 13

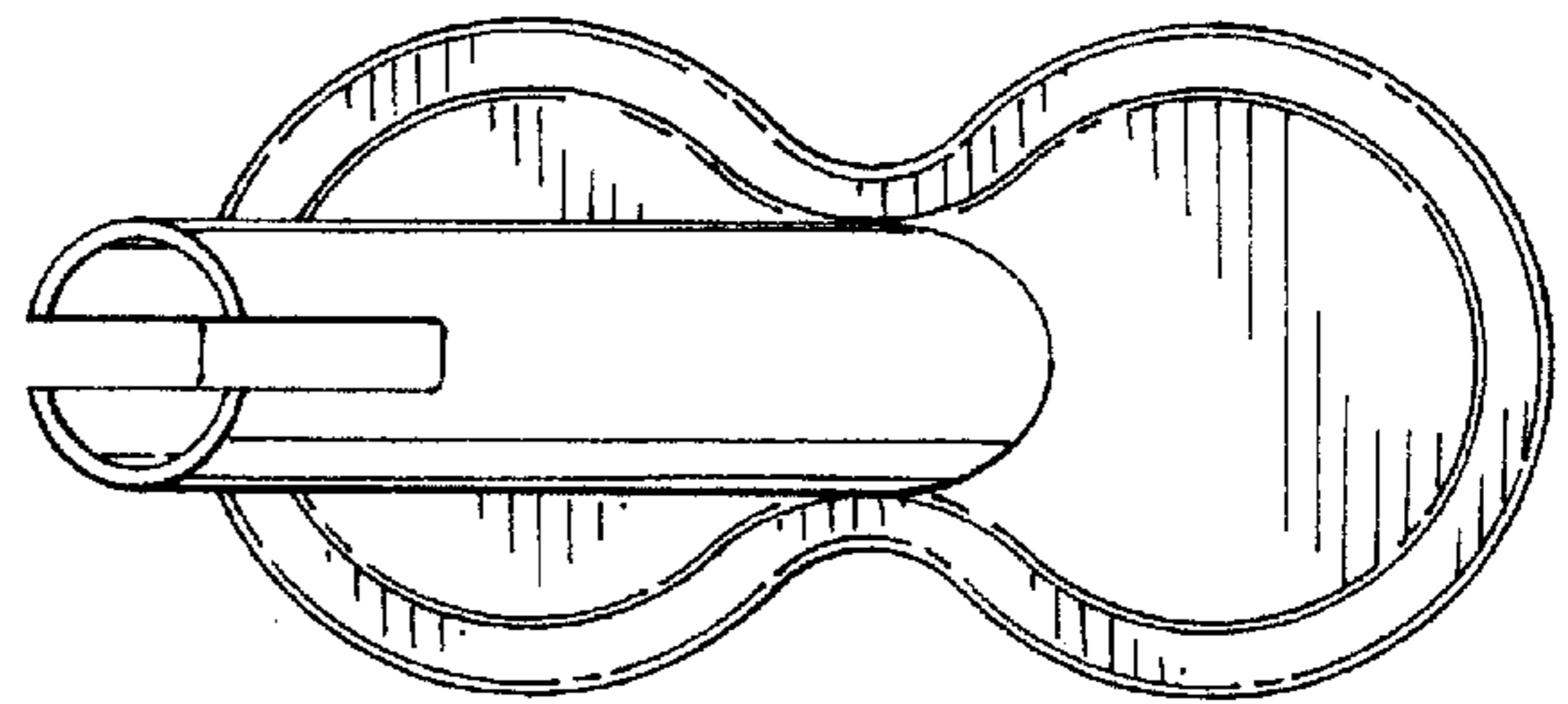


FIG. 14

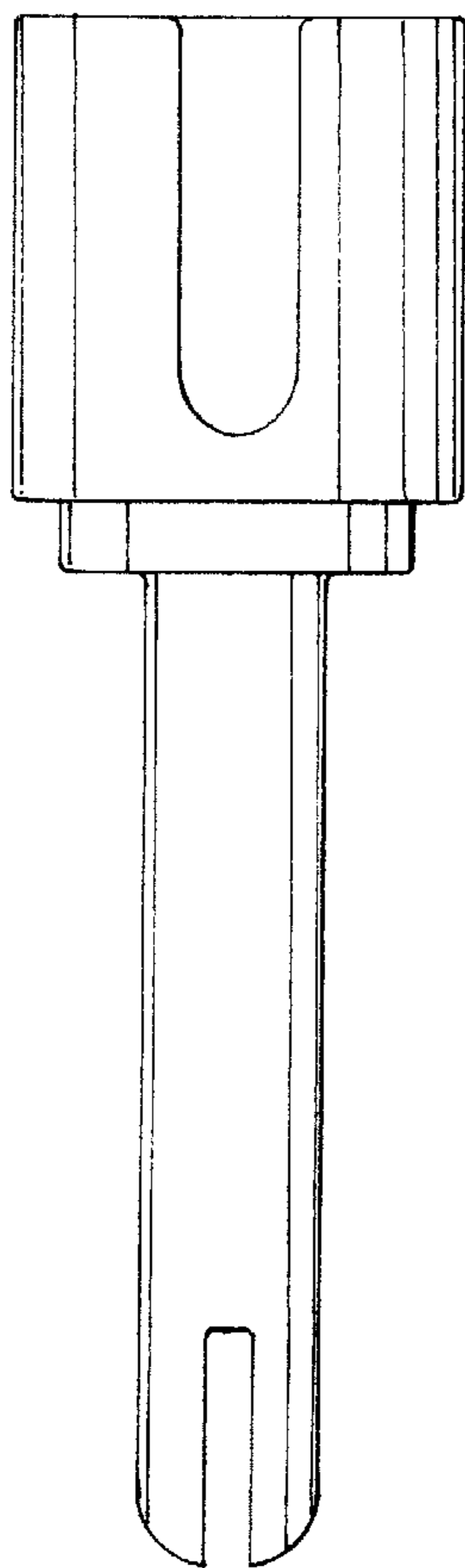


FIG. 15

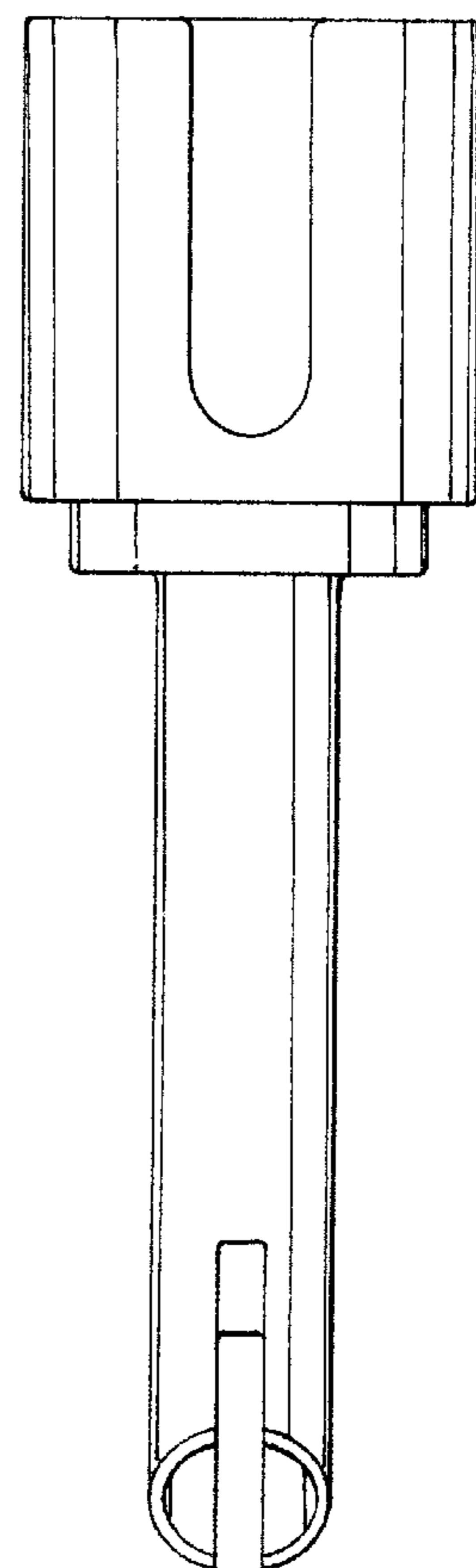


FIG. 16