



US00D415082S

United States Patent [19]
Itshakov

[11] **Patent Number: Des. 415,082**

[45] **Date of Patent: ** Oct. 12, 1999**

[54] **STEERING WHEEL COVER**

5,327,799 7/1994 Lin 74/558

[75] Inventor: **Itshak Itshakov**, Bat Yam, Israel

[73] Assignee: **Elegant USA, LLC**, Totowa, N.J.

[**] Term: **14 Years**

[21] Appl. No.: **29/085,329**

[22] Filed: **Mar. 20, 1998**

[51] **LOC (6) Cl.** **12-16**

[52] **U.S. Cl.** **D12/177**

[58] **Field of Search** **D12/177, 175,**
D12/176; 74/558, 558.5

[56] **References Cited**

U.S. PATENT DOCUMENTS

- D. 280,314 8/1985 Strongwater D12/177
- D. 364,372 11/1995 Shroitman D12/177
- D. 395,629 6/1998 Moore, Jr. D12/177

FOREIGN PATENT DOCUMENTS

- 28138 2/1998 Israel .
- 28140 2/1998 Israel .

Primary Examiner—Melody N. Brown
Attorney, Agent, or Firm—Weingram & Associates, P.C.

[57] **CLAIM**

I claim the ornamental design for a steering wheel cover, as shown and deccribed.

DESCRIPTION

FIG. 1 is a top perspective view of a steering wheel cover showing my new design; FIG. 2 is a bottom plan view thereof; and, FIG. 3 is a side elevational view thereof. The broken lines shown in FIGS. 1 and 2 are for illustrative purposes only and form no part of the claimed design.

1 Claim, 1 Drawing Sheet

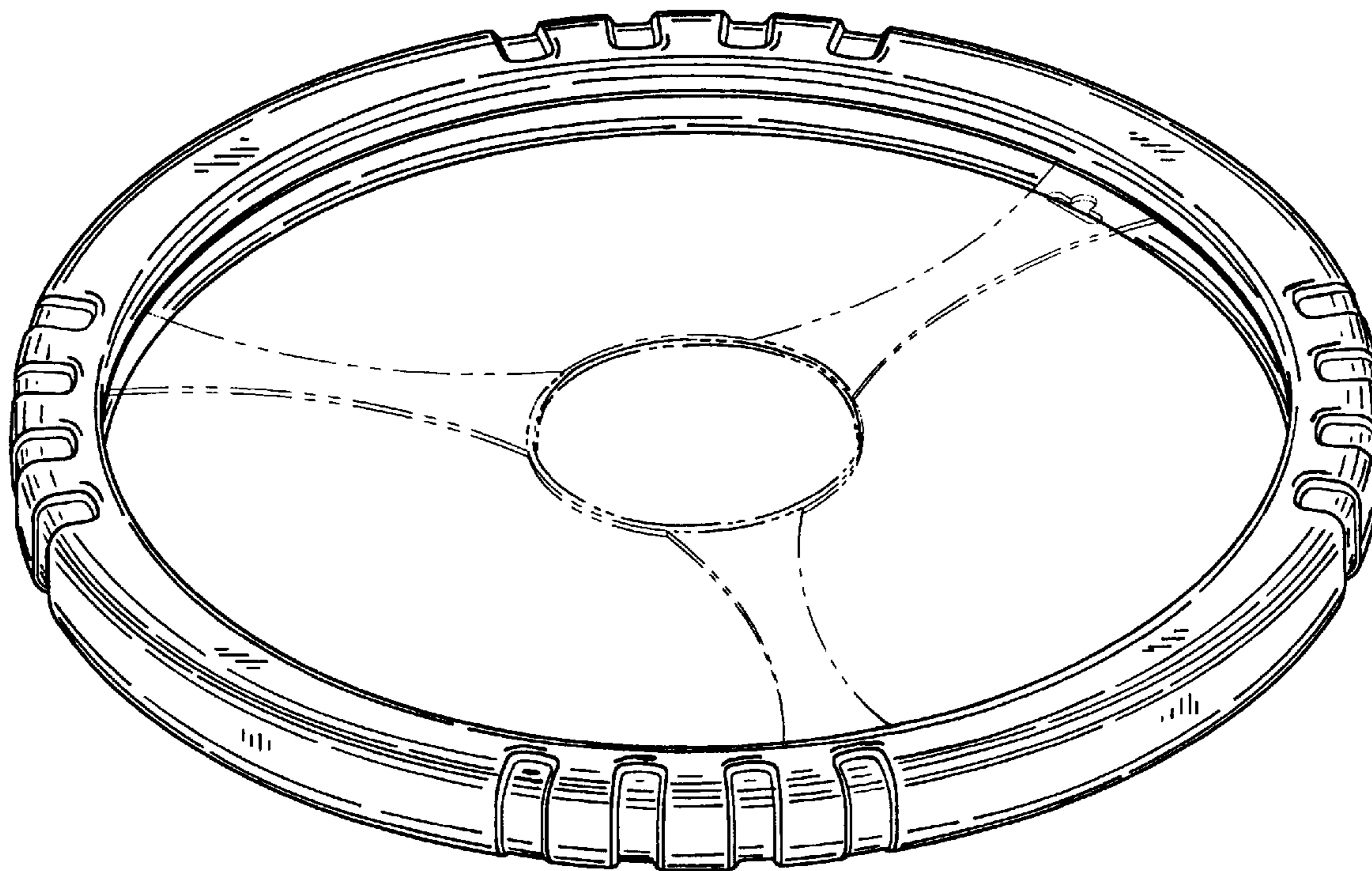


FIG. 1

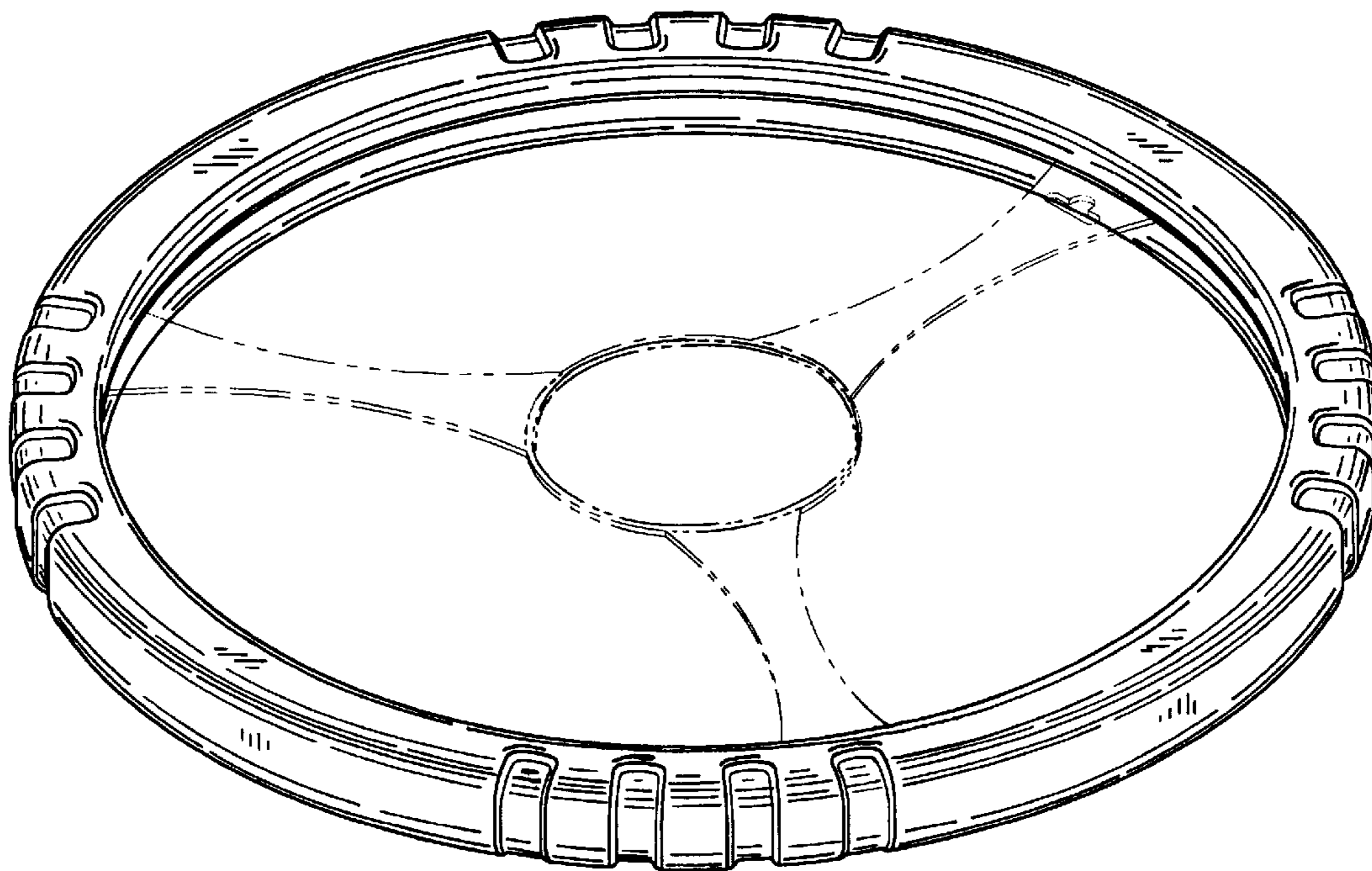


FIG. 2

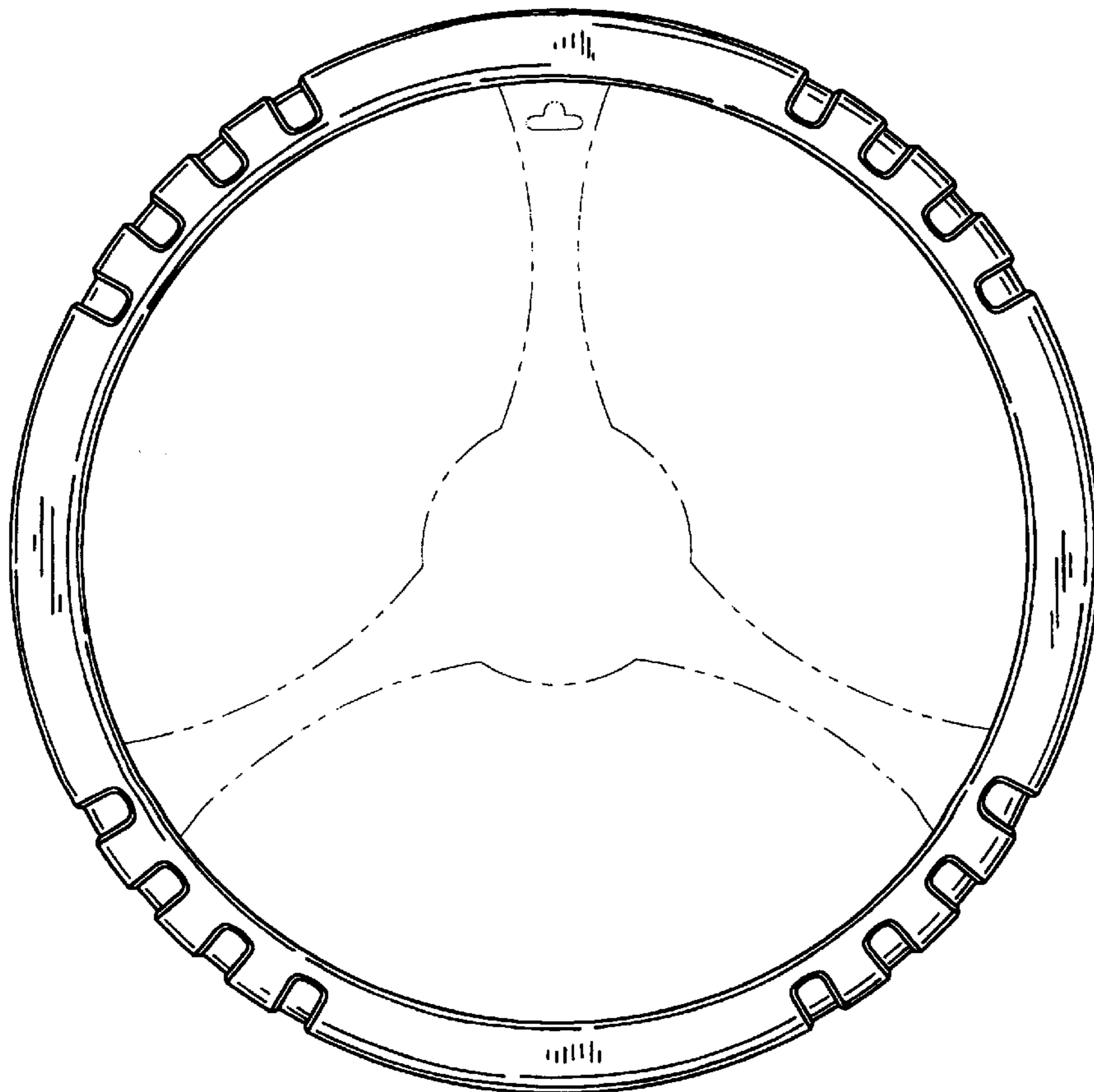


FIG. 3

