



US00D415080S

**United States Patent** [19]  
**Schultz**

[11] **Patent Number: Des. 415,080**

[45] **Date of Patent: \*\* Oct. 12, 1999**

[54] **TRAILER HITCH COVER**

[76] Inventor: **Richard R. Schultz**, 13205 I St.,  
Omaha, Nebr. 68137

[\*\*] Term: **14 Years**

[21] Appl. No.: **29/100,587**

[22] Filed: **Feb. 11, 1999**

[51] **LOC (6) Cl.** ..... **12-16**

[52] **U.S. Cl.** ..... **D12/162**

[58] **Field of Search** ..... D12/162, 400;  
D9/307, 441, 451; D29/106; 211/14; 280/477,  
490.1, 507, 511

[56] **References Cited**

**U.S. PATENT DOCUMENTS**

D. 298,105	10/1988	Lamantia, Jr.	.....	D9/307
D. 317,890	7/1991	Bachmann	.....	D12/162
D. 357,541	4/1995	Neidell	.....	D9/441 X
D. 373,310	9/1996	Trautmann	.....	D9/441
D. 399,802	10/1998	Adelaar	.....	D12/162
D. 401,193	11/1998	Julian	.....	D12/162
D. 402,601	12/1998	Julian	.....	D12/162

*Primary Examiner*—Caron D. Veynar  
*Assistant Examiner*—Stacia Sinuik

*Attorney, Agent, or Firm*—Zarley, McKee, Thomte,  
Voorhees & Sease; James A. Napier

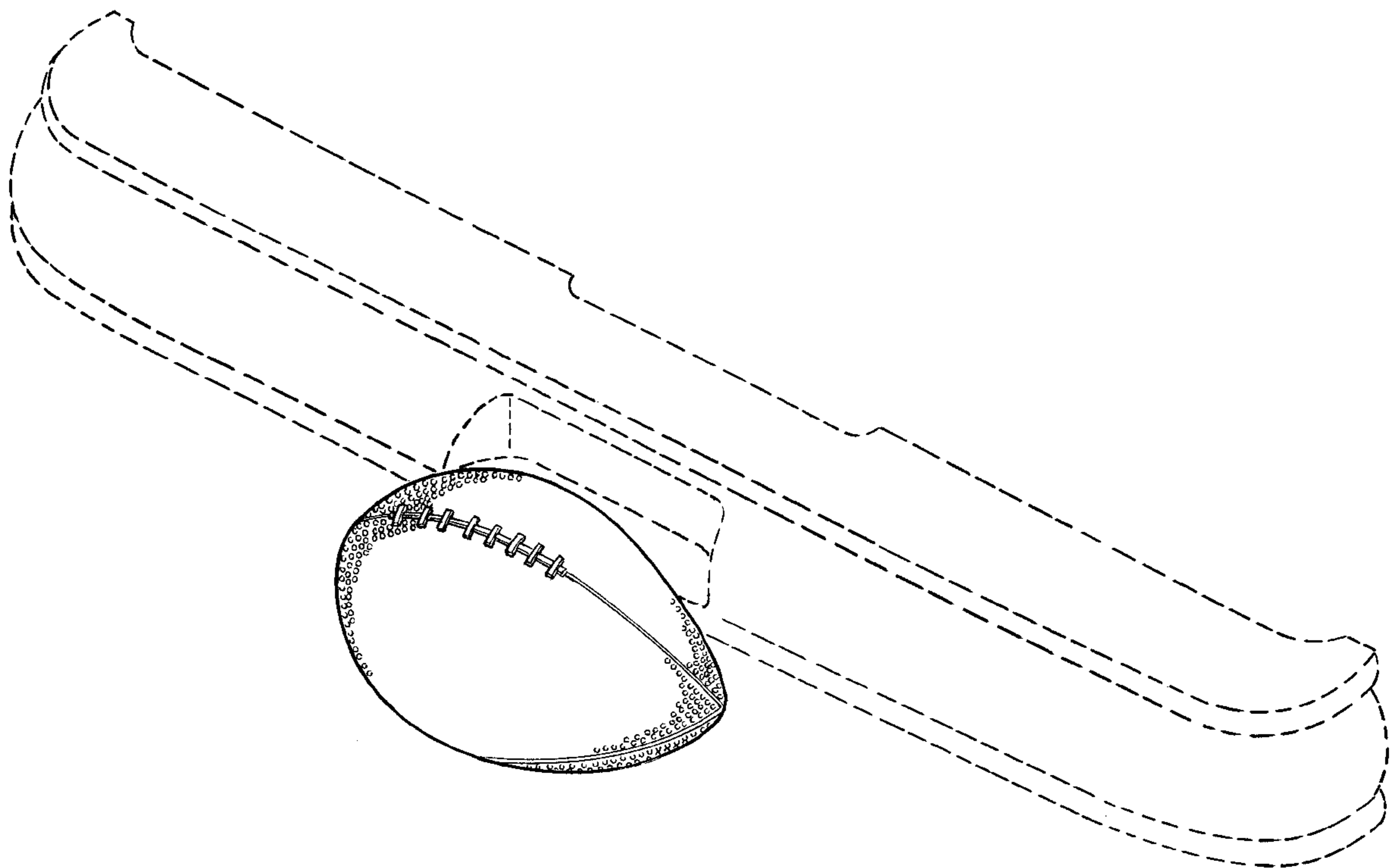
[57] **CLAIM**

The ornamental design for a trailer hitch cover, as shown and described.

**DESCRIPTION**

FIG. 1 is a perspective view of a trailer hitch cover, showing my new design;  
FIG. 2 is an enlarged top view thereof;  
FIG. 3 is an enlarged front elevational view thereof;  
FIG. 4 is an enlarged right side view thereof, it being understood that the left side is a mirror image thereof;  
FIG. 5 is an enlarged bottom view thereof;  
FIG. 6 is an enlarged rear elevational view thereof;  
FIG. 7 is an enlarged top elevational view thereof, with the trailer hitch cover shown attached to a trailer hitch post;  
FIG. 8 is a right side view thereof, it being understood that the left side is a mirror image thereof;  
FIG. 9 is a bottom view thereof; and,  
FIG. 10 is a rear elevational view thereof.  
The broken line showing of environment is for illustrative purposes only and forms no part of the claimed design.  
The above statement has been inserted in the specification preceding the claim.

**1 Claim, 5 Drawing Sheets**



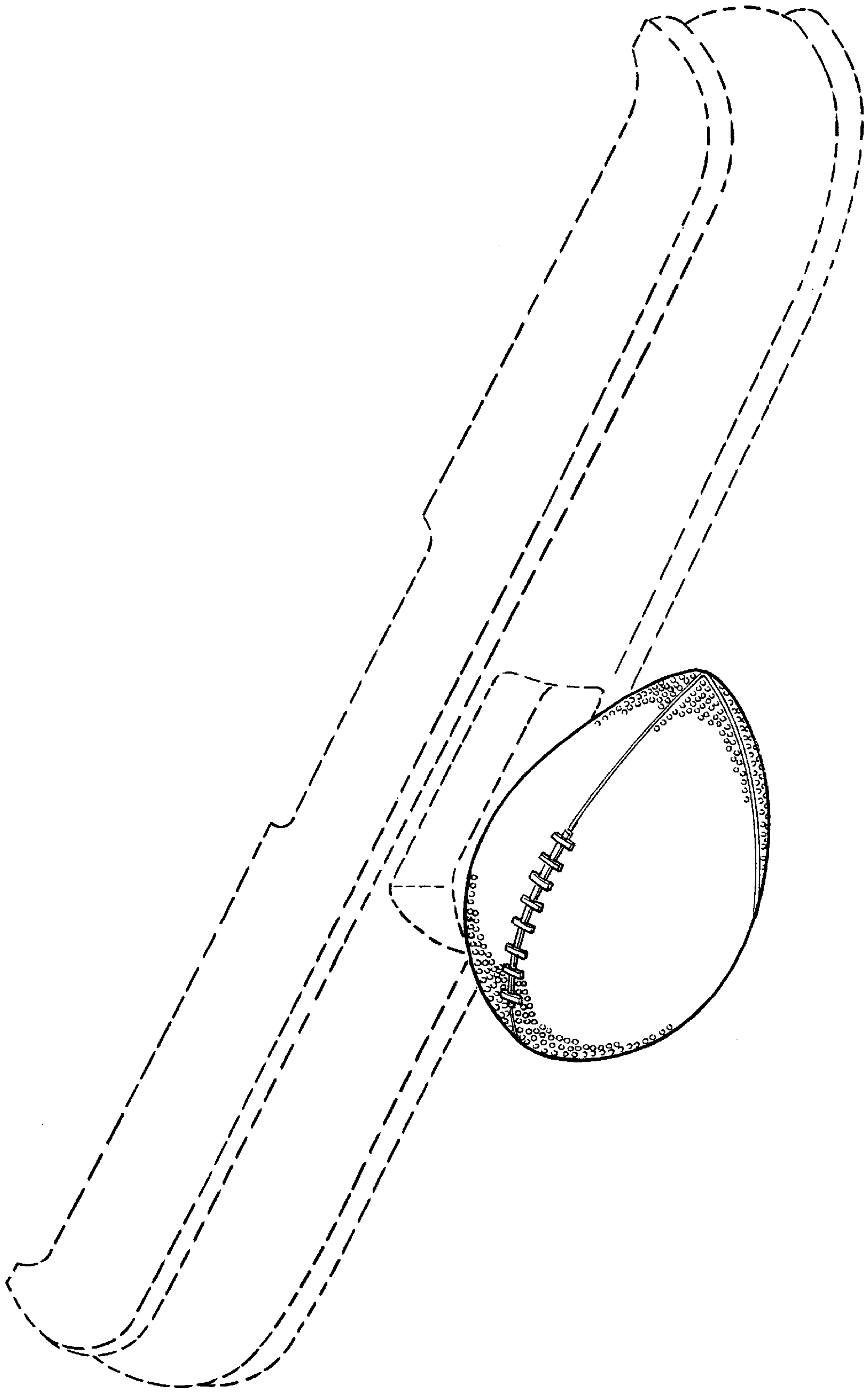


FIG. 1

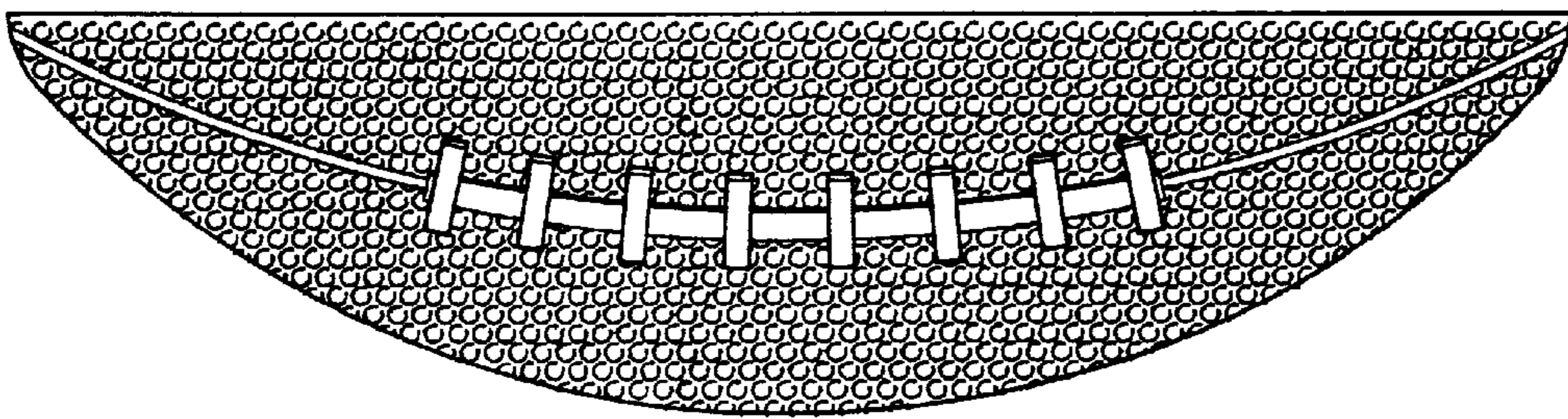


FIG. 2

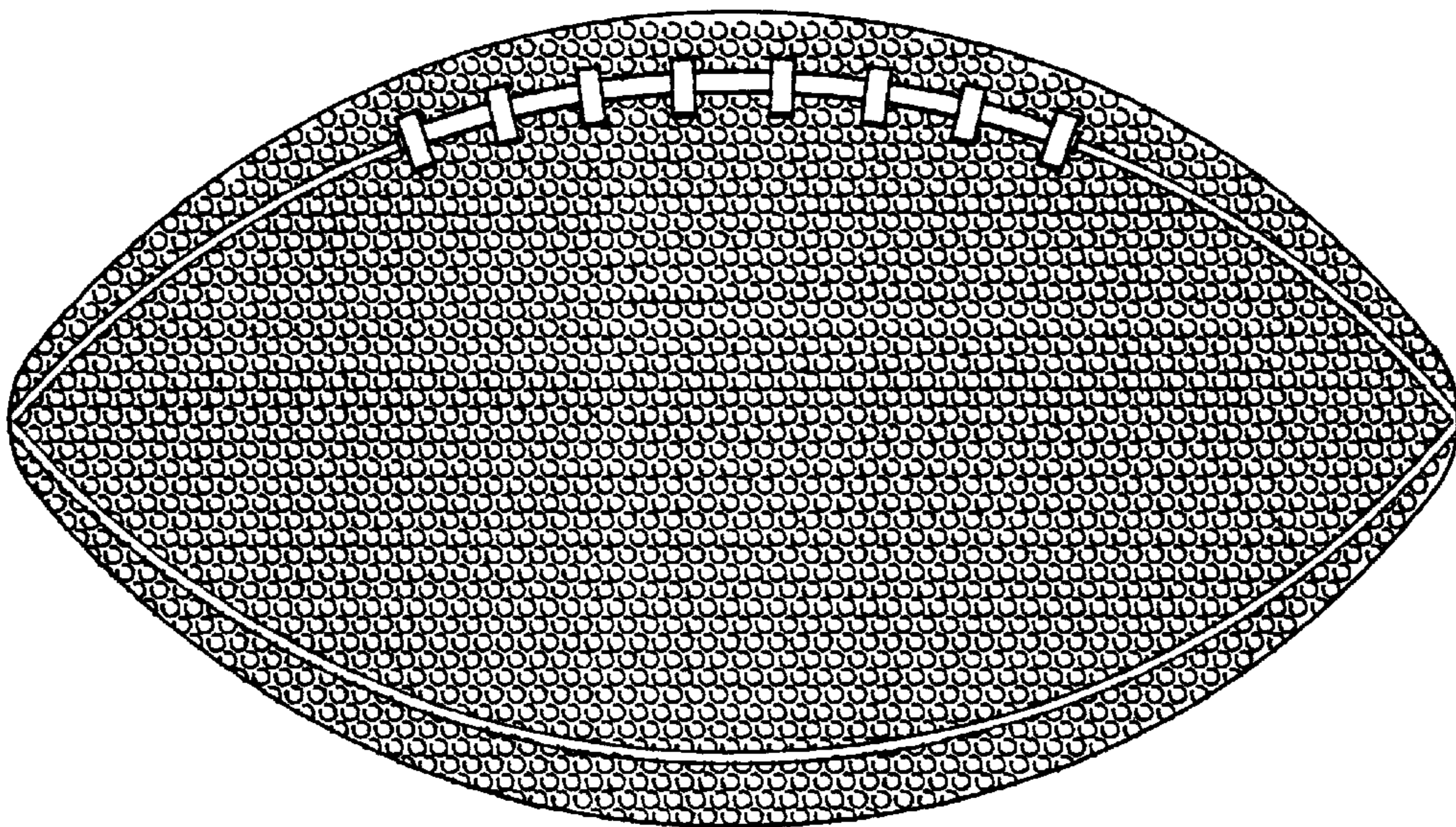


FIG. 3

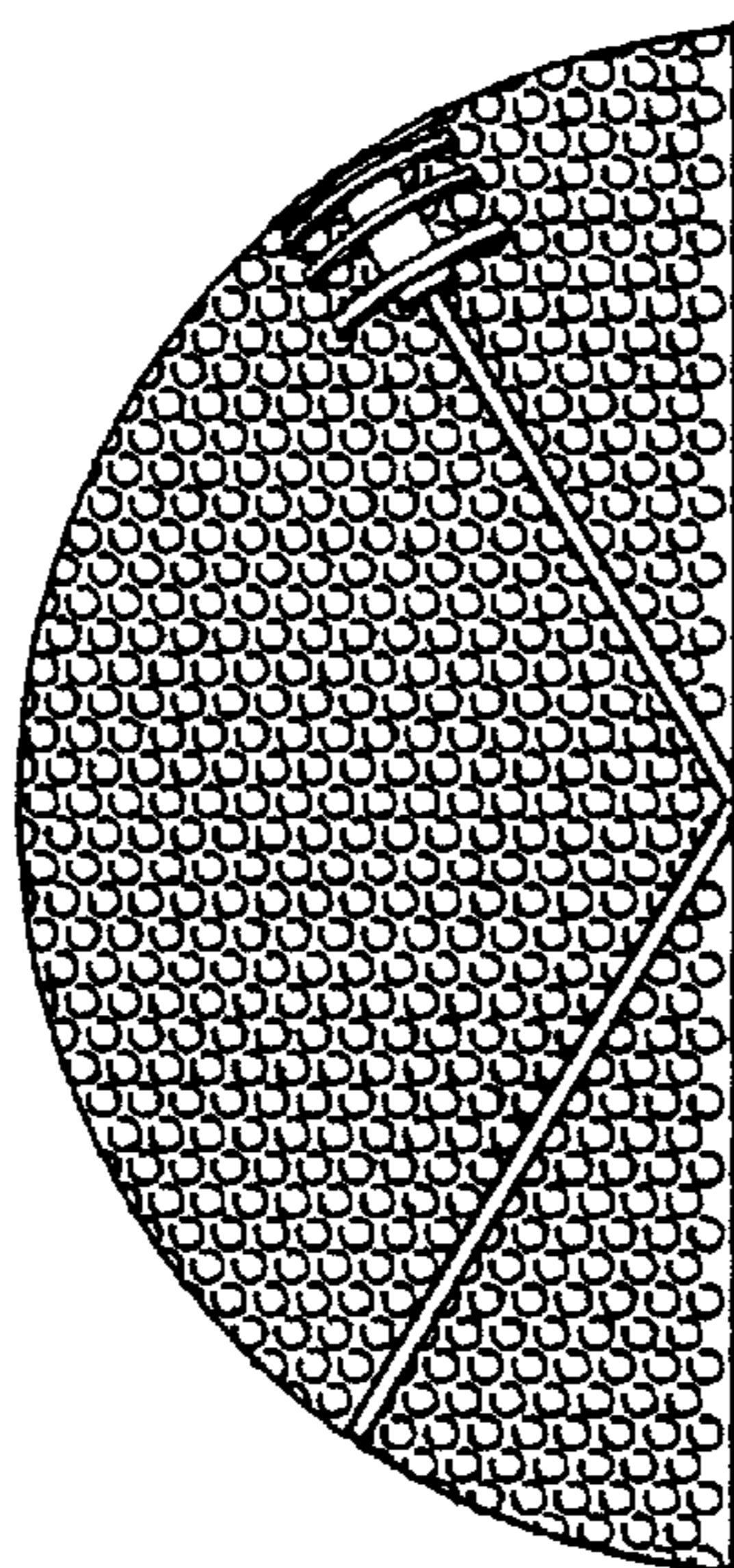


FIG. 4

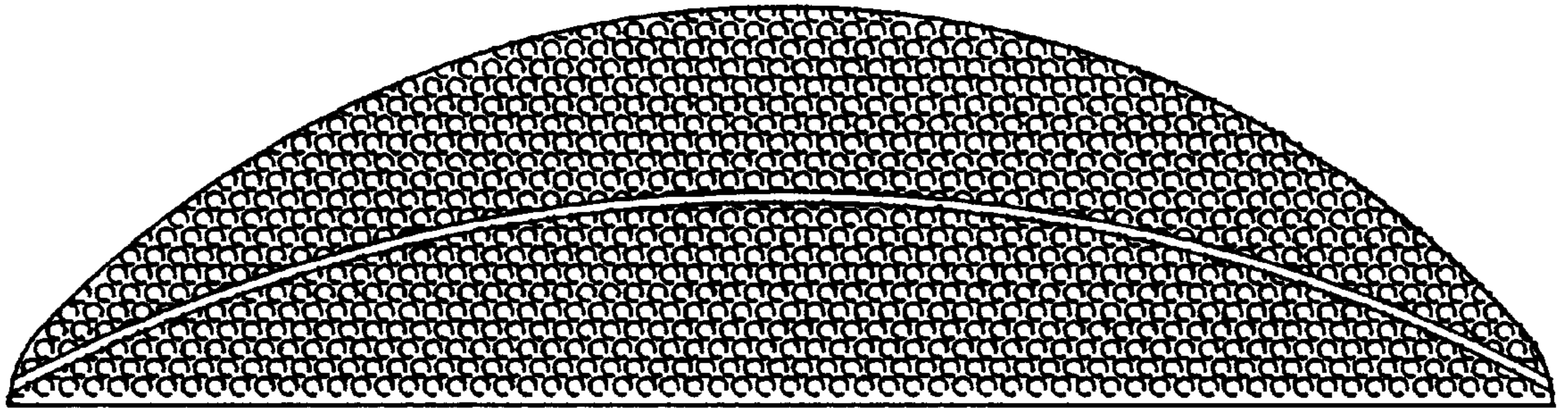


FIG. 5

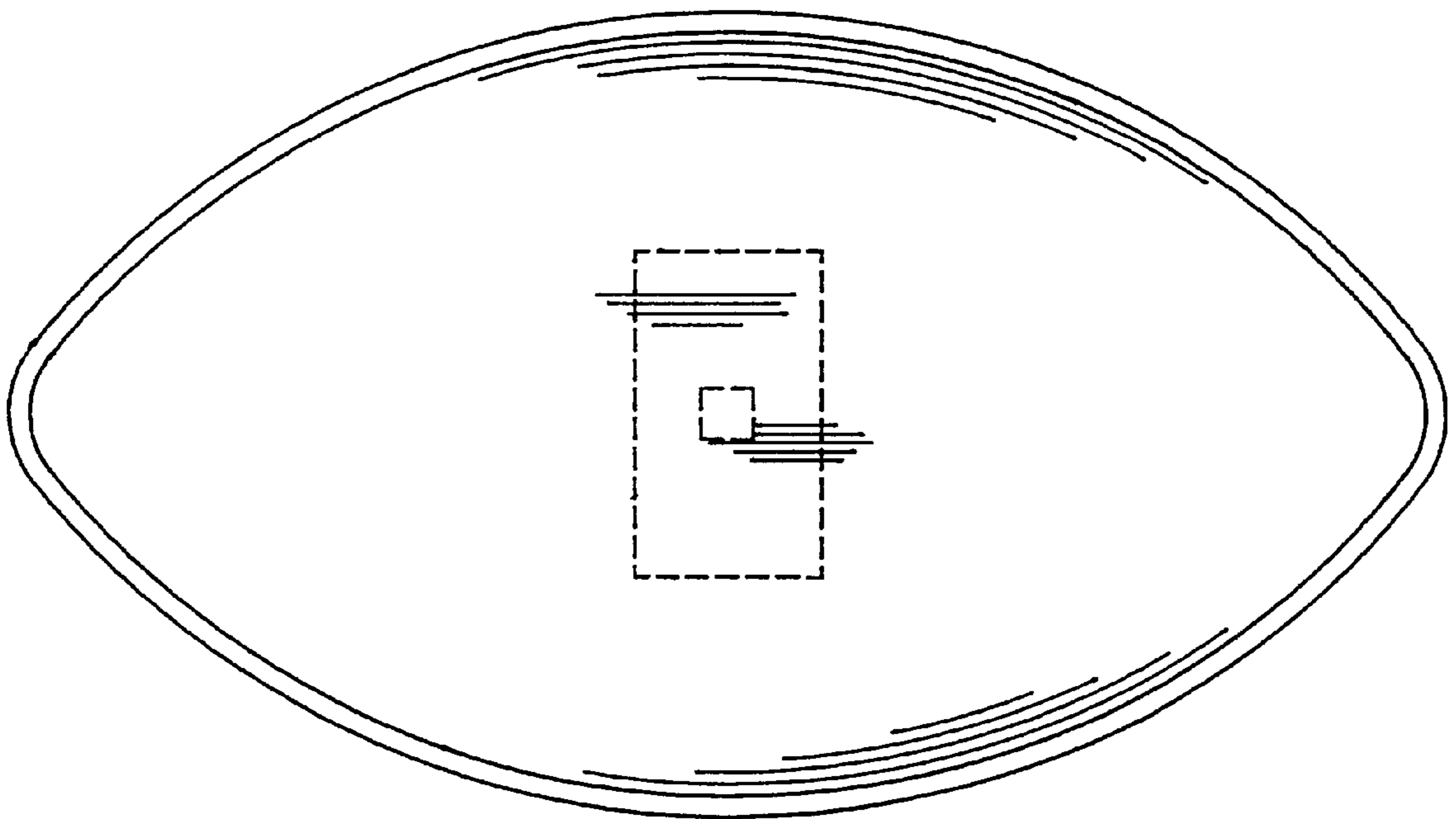


FIG. 6

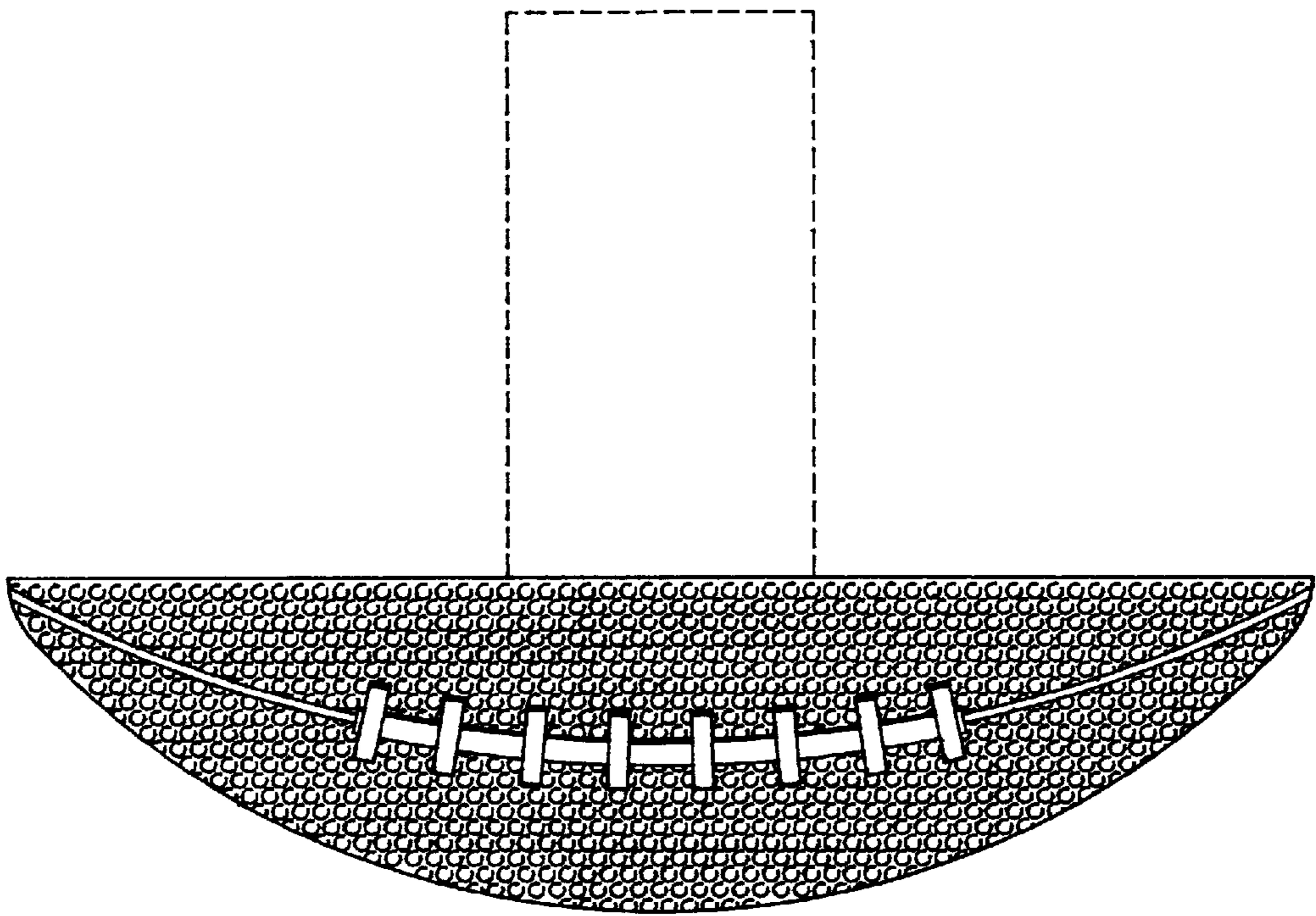


FIG. 7

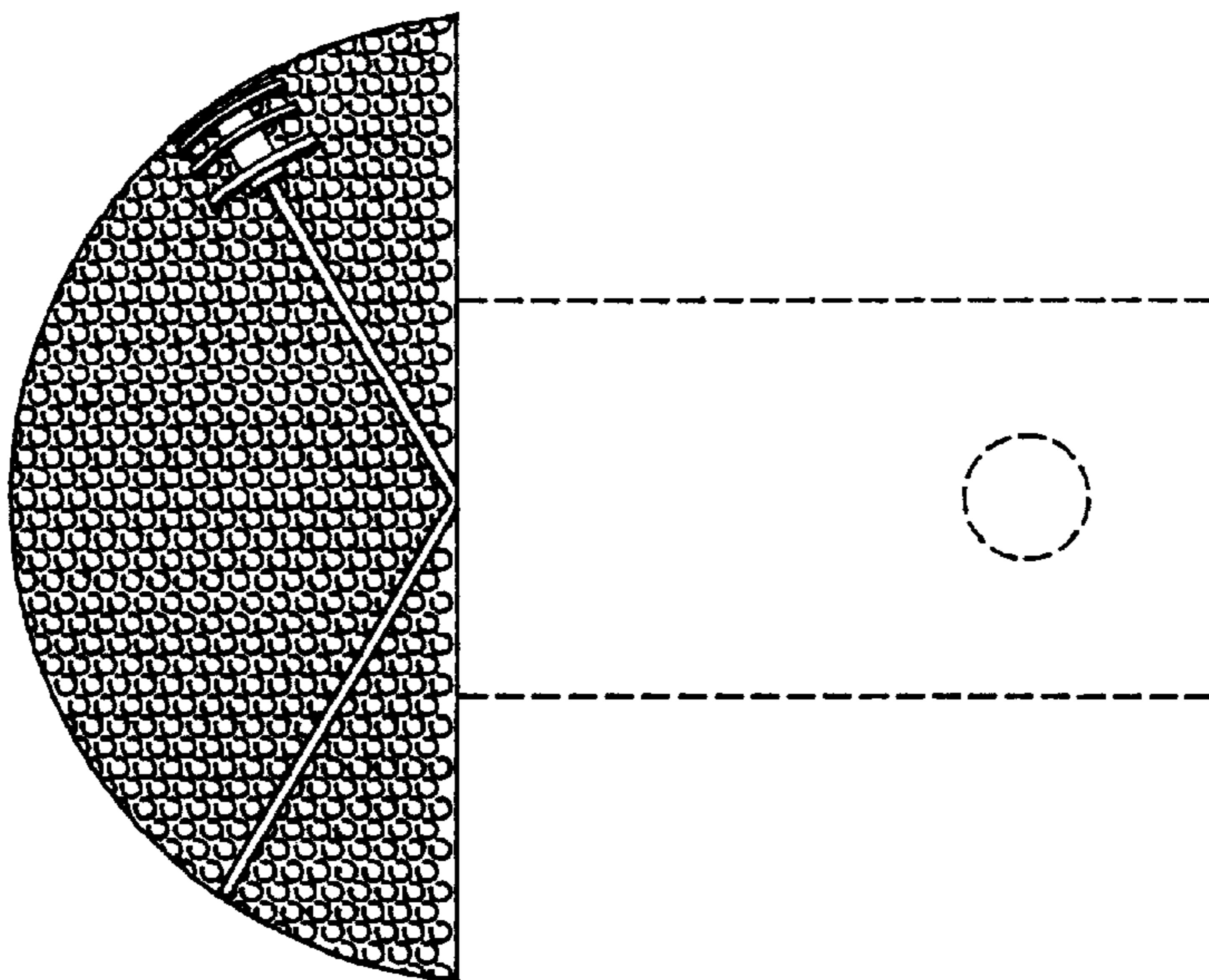


FIG. 8

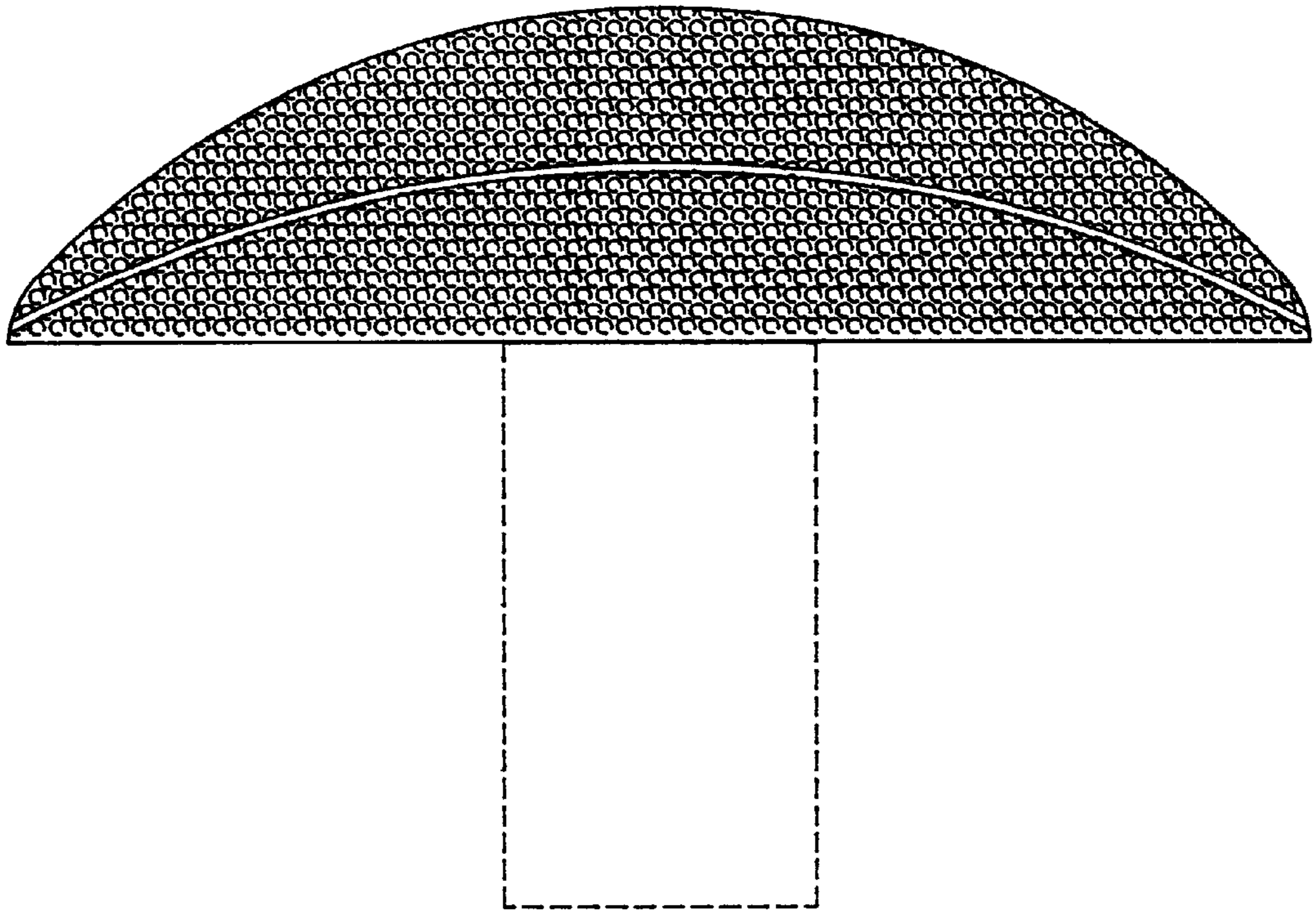


FIG. 9

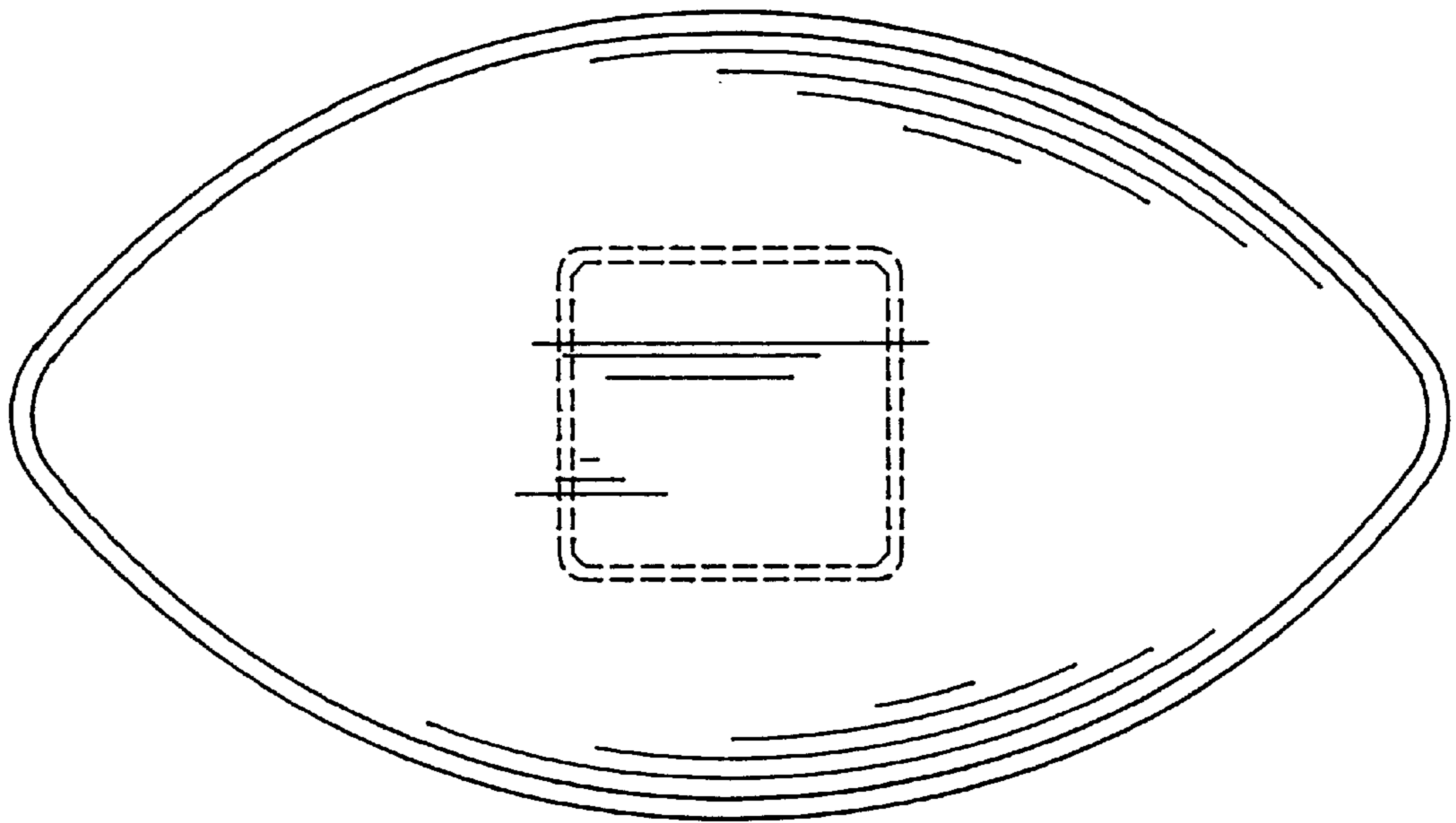


FIG. 10