



US00D415079S

United States Patent [19]

Heinen et al.

[11] Patent Number: **Des. 415,079**

[45] Date of Patent: **** Oct. 12, 1999**

[54] **TIRE TREAD**

[75] Inventors: **Richard Heinen**, Habay-la-Neuve, Belgium; **Berend Albert Hemmes**, Ettelbruck; **Georges Nicolas Hilbert**, Moutfort, both of Luxembourg

[73] Assignee: **The Goodyear Tire & Rubber Company**, Akron, Ohio

[**] Term: **14 Years**

[21] Appl. No.: **29/093,123**

[22] Filed: **Sep. 3, 1998**

[51] **LOC (6) Cl.** **12-15**

[52] **U.S. Cl.** **D12/146**

[58] **Field of Search** D12/138-151;
152/209.1, 209.8, 209.9, 209.11, 209.16,
209.18, 209.28, 900, 901, 902, 903

D. 333,455	2/1993	Himuro et al.	D12/147
D. 335,644	5/1993	Miyoshi	D12/147
D. 335,845	5/1993	Lurois	D12/147
D. 346,775	5/1994	Loser	D12/146
D. 348,863	7/1994	Narabayashi et al.	D12/147
D. 357,654	4/1995	Hitosugi et al.	D12/146
D. 364,134	11/1995	Himuro et al.	D12/146
D. 389,103	1/1998	Hashimoto et al.	D21/146
D. 393,612	4/1998	Hino	D12/146
D. 395,415	6/1998	Graas	D12/147
D. 402,243	12/1998	Heinen	D12/147
D. 405,739	2/1999	Hitzky et al.	D12/147

Primary Examiner—Robert M. Spear
Attorney, Agent, or Firm—T P Lewandowski

[57] CLAIM

The ornamental design for a tire tread, as shown and described.

DESCRIPTION

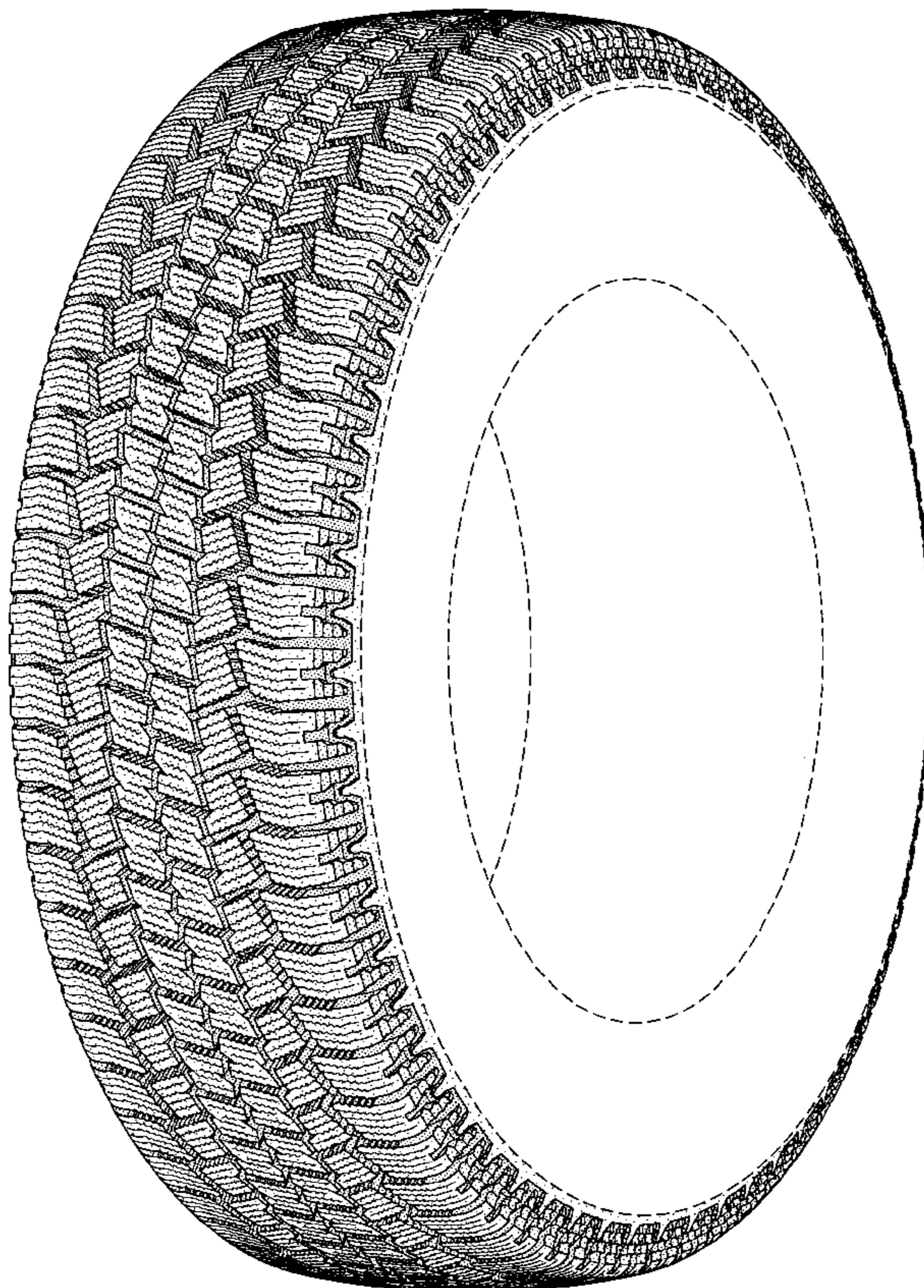
FIG. 1 is a perspective view of a tire tread showing our new design, it being understood that the pattern repeats uniformly throughout the circumference of the tread; FIG. 2 is a front elevational view thereof; FIG. 3 is a side elevational view thereof, the opposite side elevational view being identical thereto; and, FIG. 4 is an enlarged fragmentary front perspective view. In the drawings, the broken lines defining the inner bead of the sidewall and the peripheral boundary between the tire tread and the sidewall are for illustrative purposes only and form no part of the claimed design.

1 Claim, 4 Drawing Sheets

[56] References Cited

U.S. PATENT DOCUMENTS

D. 197,370	1/1964	MacWherter	D90/20
D. 226,543	3/1973	Neale	D12/15
D. 233,427	10/1974	Montague	D12/15
D. 237,374	10/1975	Hutz et al.	D12/15
D. 254,368	3/1980	Smajd	D21/141
D. 265,304	7/1982	Kojima et al.	D12/147
D. 278,222	4/1985	Kojima et al.	D12/147
D. 280,981	10/1985	Ohta et al.	D12/142
D. 283,695	5/1986	Walker et al.	D12/146
D. 294,240	2/1988	Lachamp	D12/147



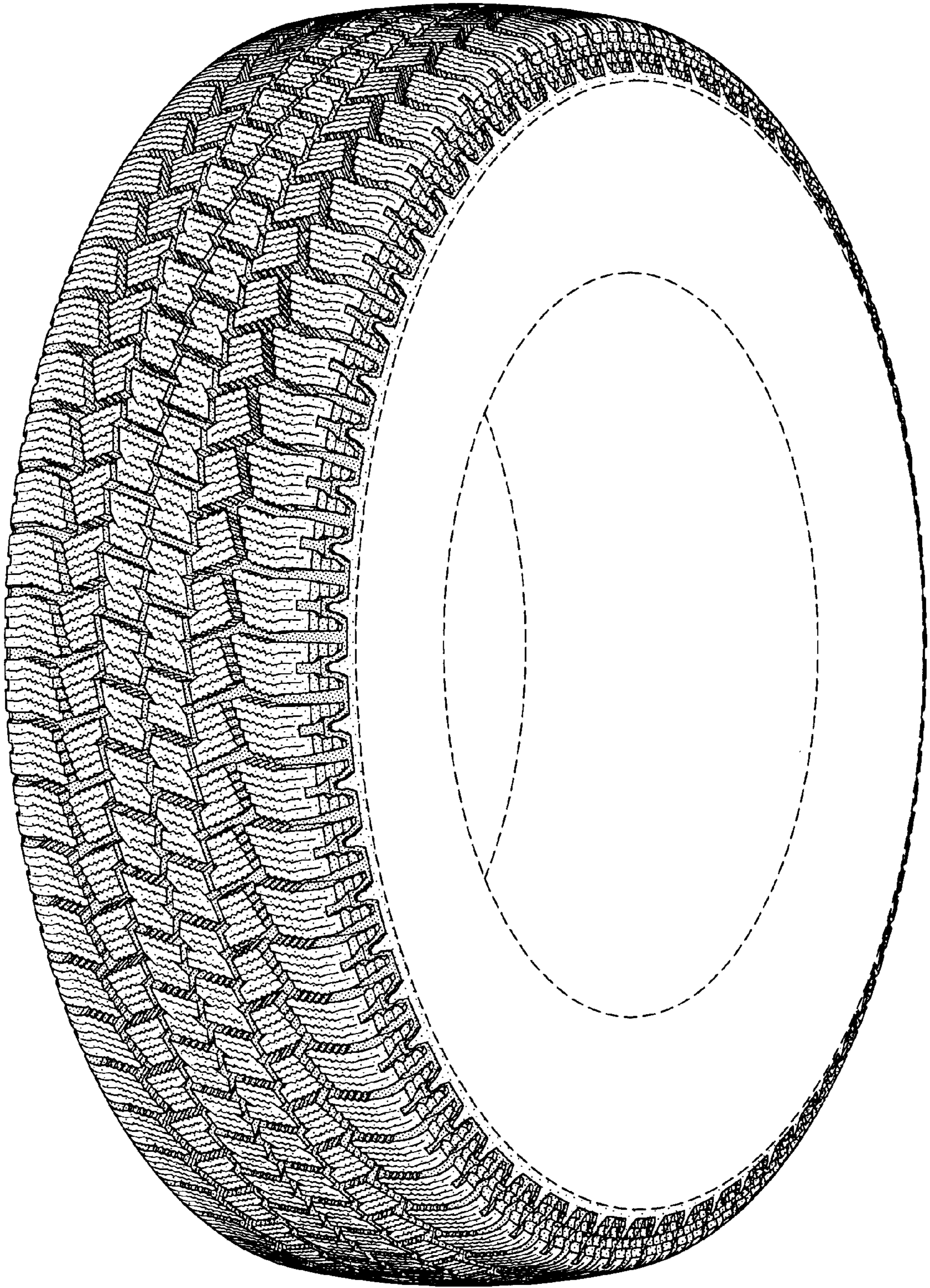


FIG-1

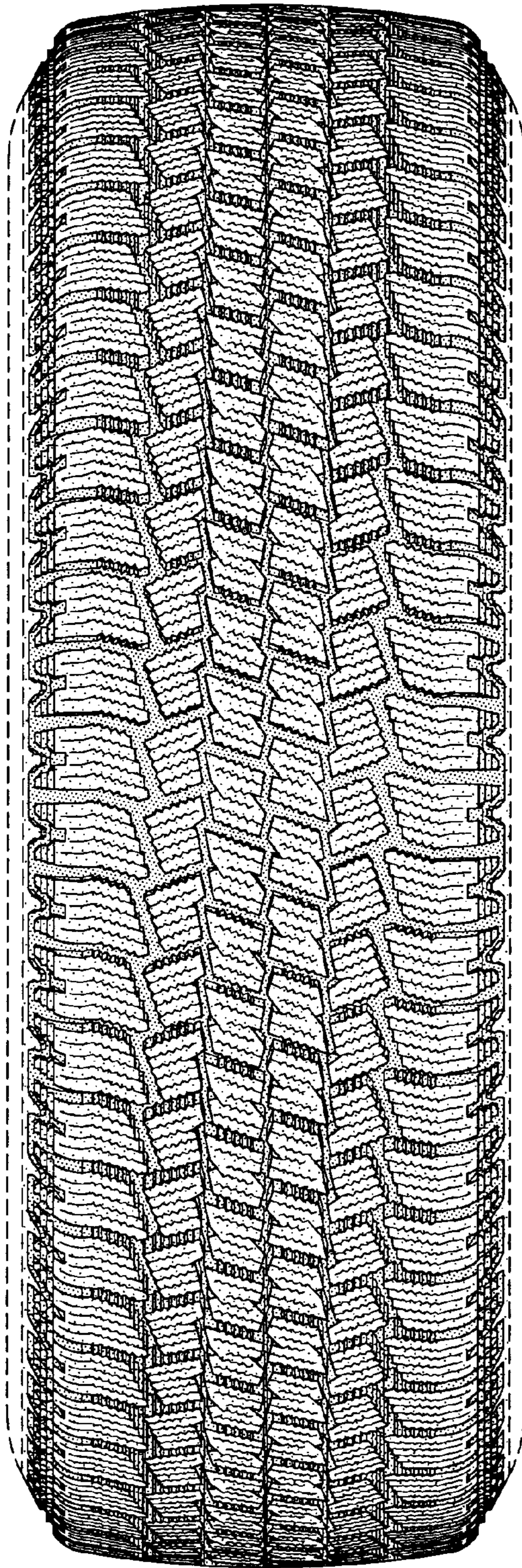


FIG-2

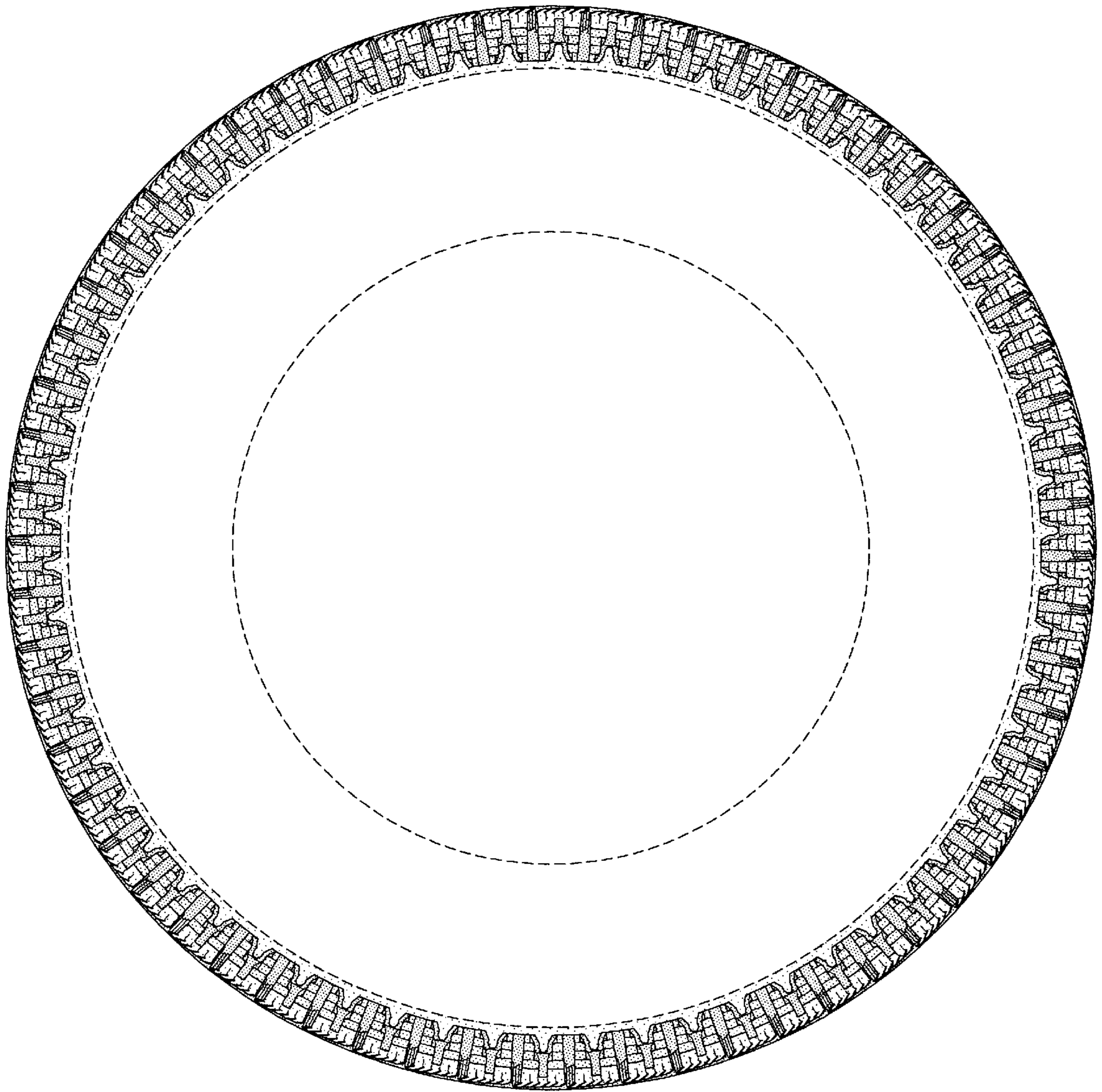


FIG-3

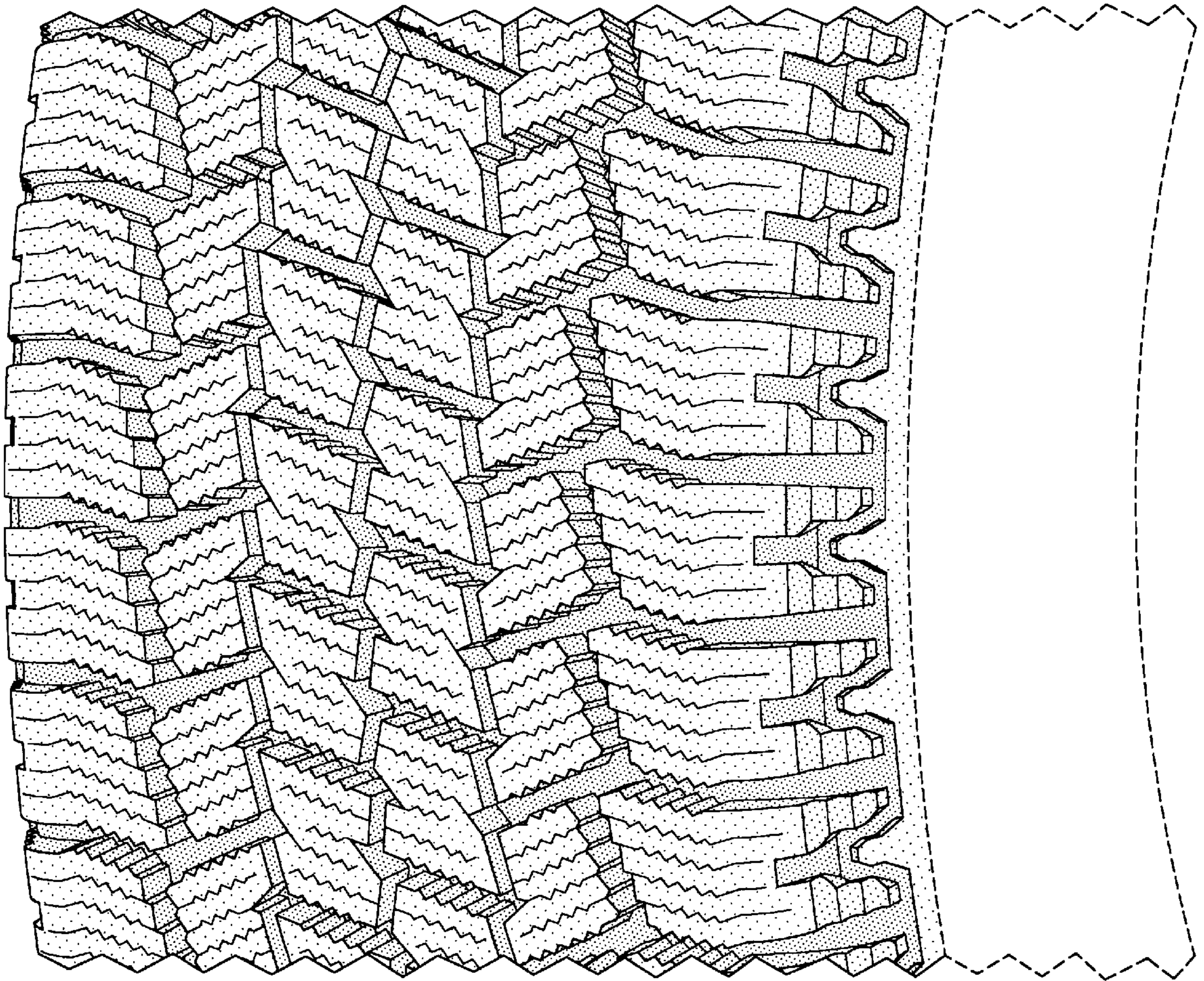


FIG-4